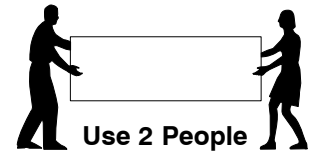
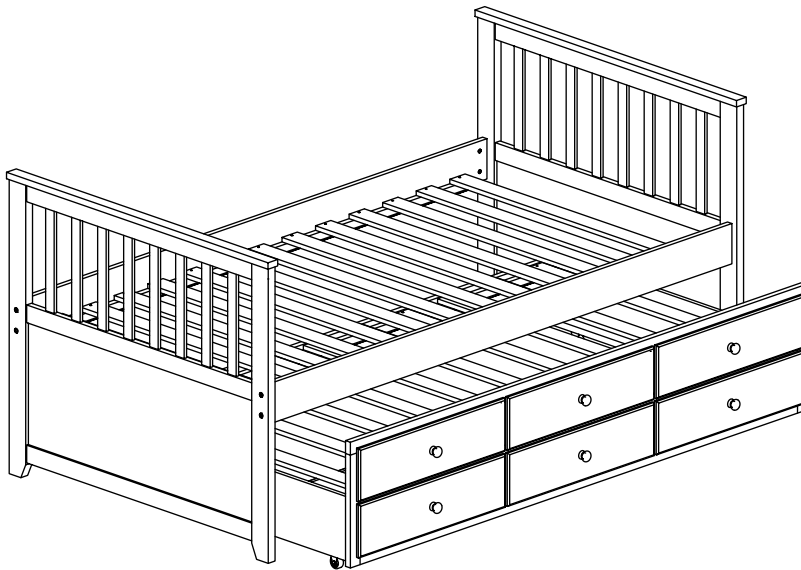


Bed

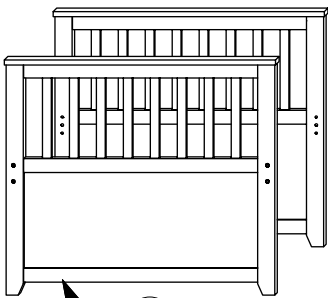
Assembly Instructions

WII-0419

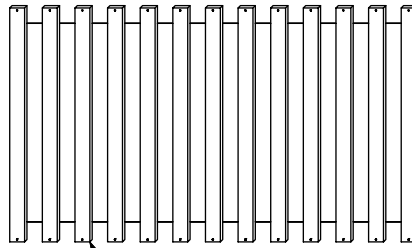


Note: Do not assemble using power tools. This can cause the bolts to be overtightened

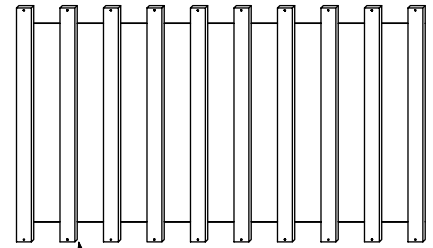
1 Parts List



A Head/Footboard x 2



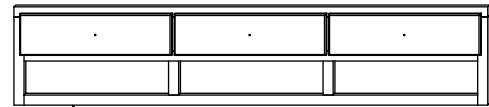
B Bed Slats x 1



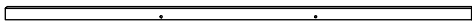
E Trundle Slats x 1



C Side Rail x 2



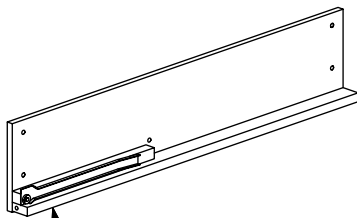
F Trundle Front Panel x 1



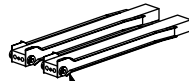
D Support Rail x 1



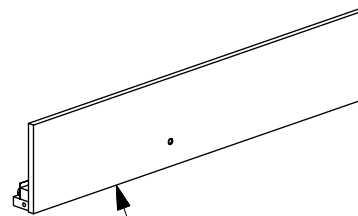
G Trundle Rear Panel x 1



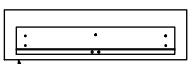
H Trundle Side Panel (Left Hand) x 1



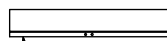
J Support (Middle) x 2



K Trundle Side Panel (Right Hand) x 1



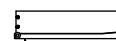
L Drawer Face x 3



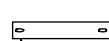
M Drawer Back x 3



N Drawer Bottom x 3



O Drawer Side x 6



P Drawer Rail x 3

Bed

Assembly Instructions

WII-0419

2 Hardware List



1 M6 x 70mm JCB
x 8



2 M6 x 60mm JCB
x 2



3 M6 x 40mm JCB
x 14



4 M6 x 15mm JCB
x 16



5 Wood Dowel
(10 x 40mm) x 4



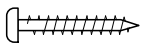
6 Wood Dowel
(8 x 30mm) x 10



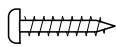
7 Wood Dowel
(6 x 25mm) x 12



8 Barrel Nut
x 8



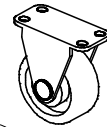
9 Wood Screw
(M4 x 32mm) x 36



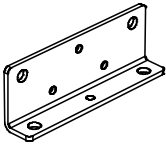
10 Wood Screw
(M4 x 25mm) x 30



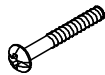
11 Wood Screw
(M4 x 16mm) x 32



12 Wheels
x 4



13 Metal Bracket
x 4



14 M4 x 25mm
Bolt x 6

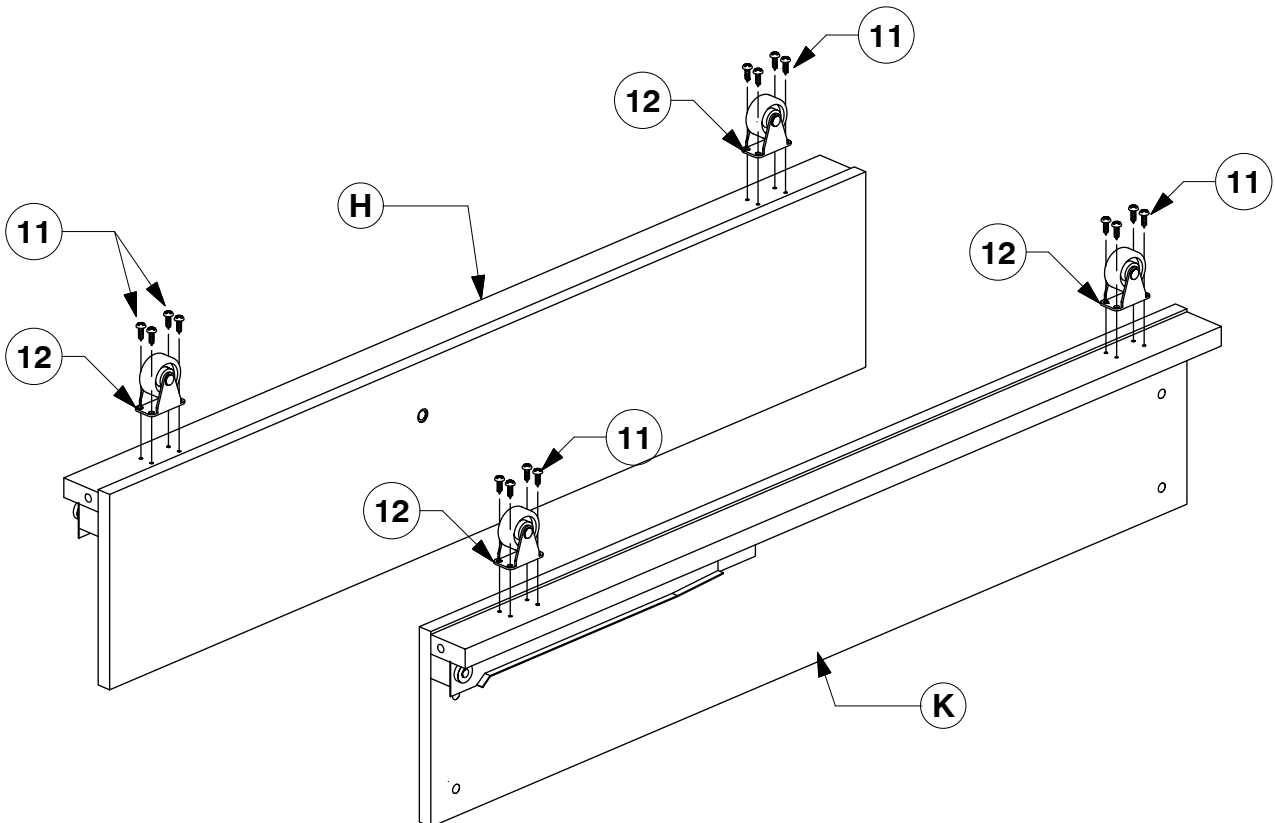


15 Wooden
Knobs x 6



16 Allen Key x 1

3 Fit the Wheels (12) to the bottom of the Left & Right hand Trundle Side Panel (H & K) using Wood Screw 16mm (11).

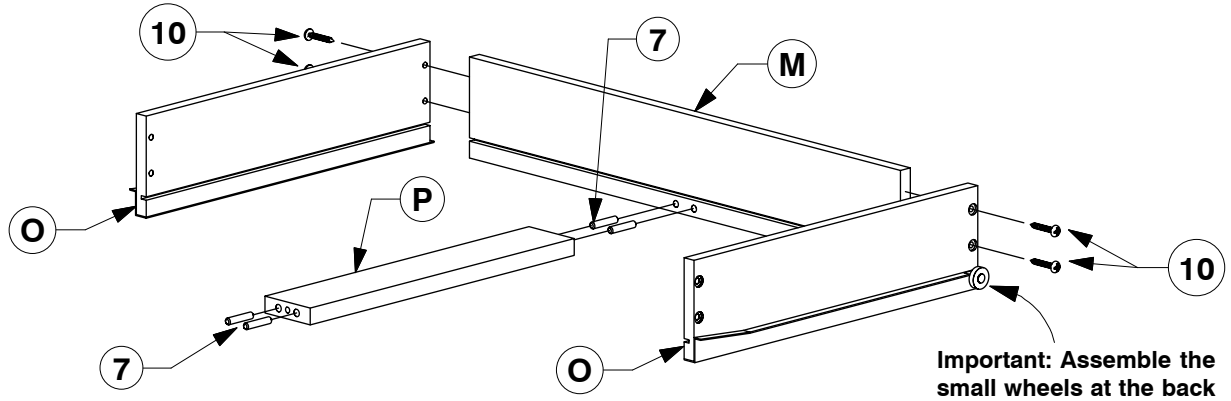


Bed

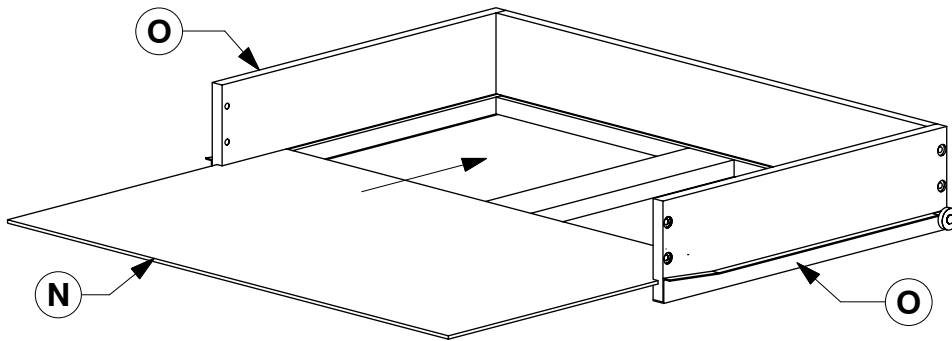
Assembly Instructions

WII-0419

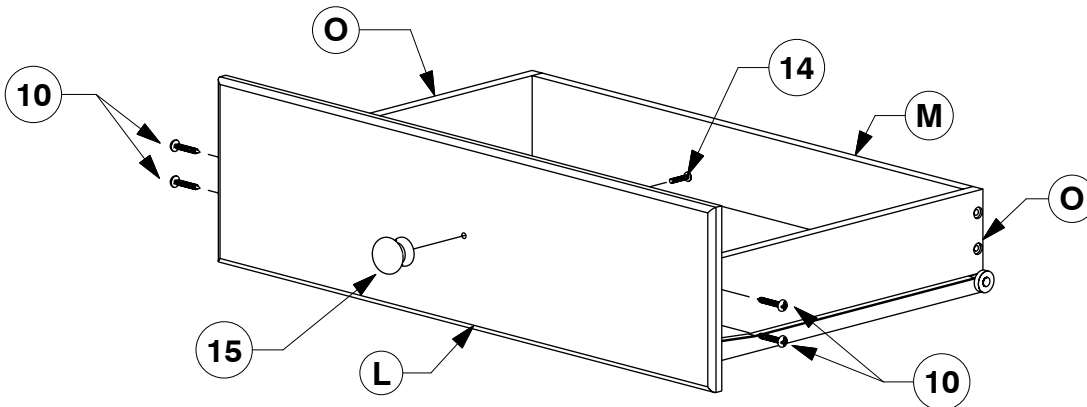
- 4** Assemble the Drawer Sides (O) and Drawer Rail (P) to the Drawer Back (M). Make sure the small wheels on the Drawer Sides (O) are next to the Drawer Back (M).



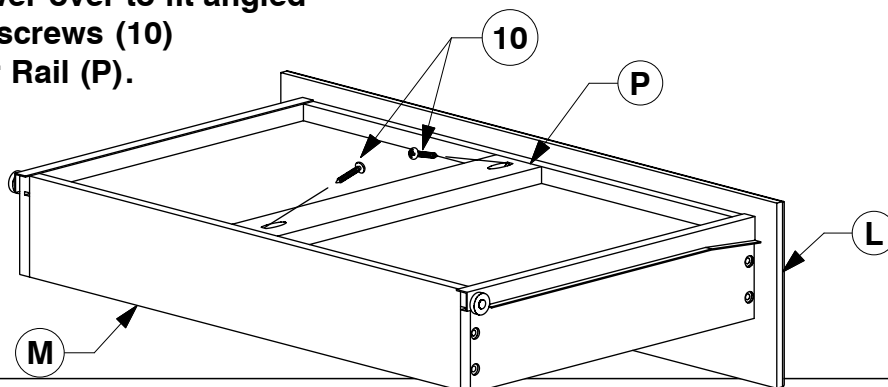
- 5** Slide the Drawer Bottom (N) into the groove on the Drawer Sides (O).



- 6** Assemble the Drawer Face (L) to the Drawer Sides (O).



- 7** Turn the Drawer over to fit angled 25mm Wood screws (10) to the Drawer Rail (P).

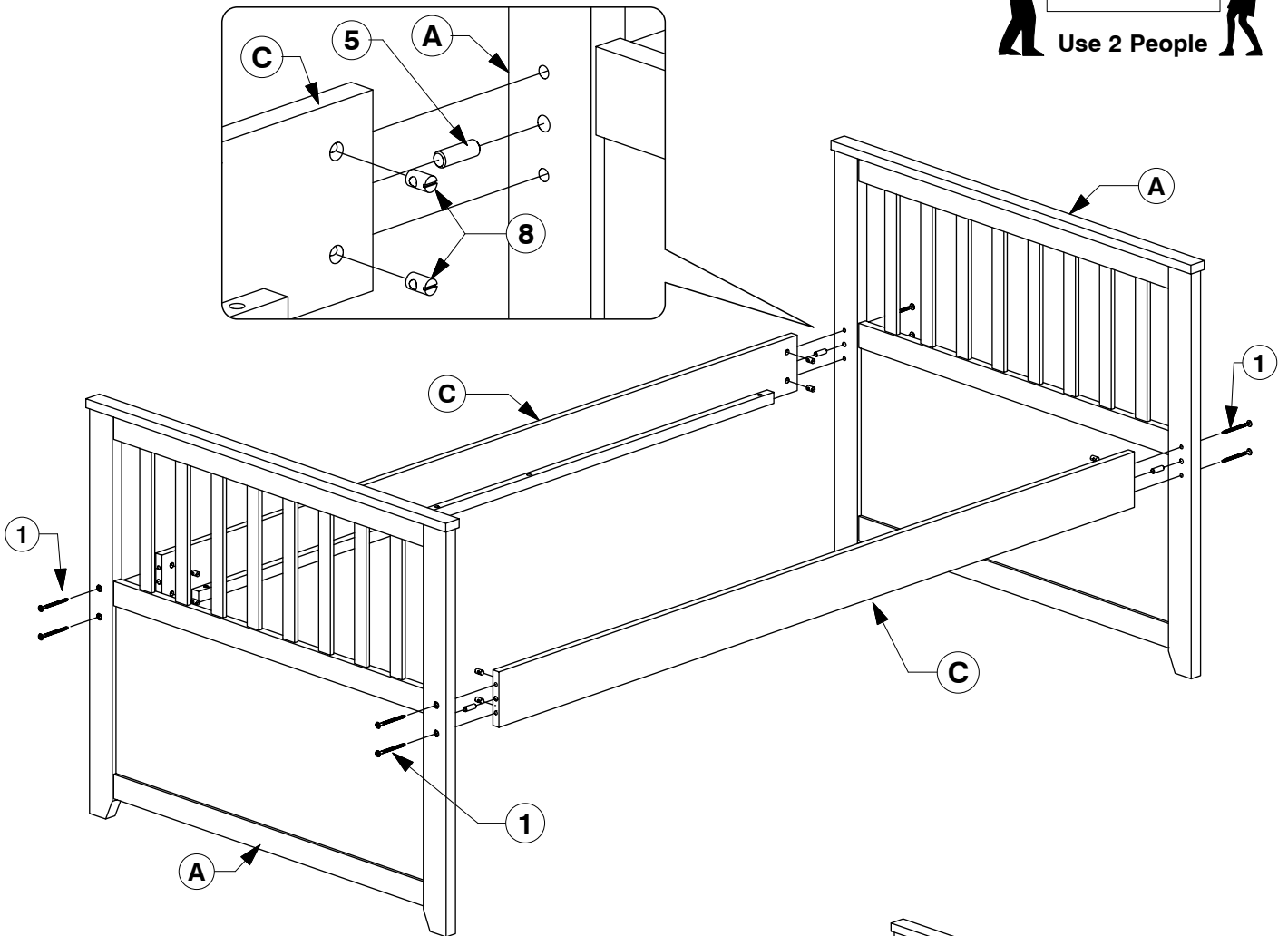
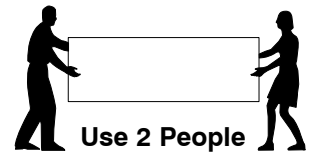


Bed

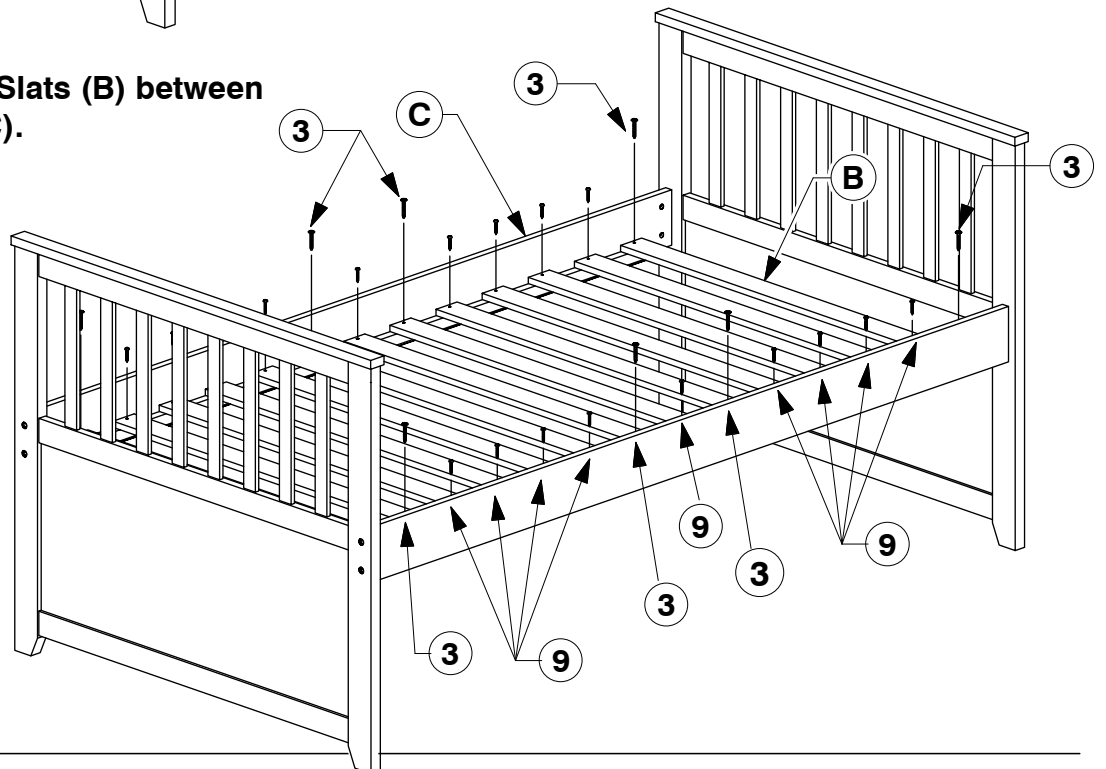
Assembly Instructions

WII-0419

- 8** Assemble the Side Rail (C) to the assembled Headboard / Footboard Panel (A).



- 9** Screw the Bed Slats (B) between the Side Rail (C).

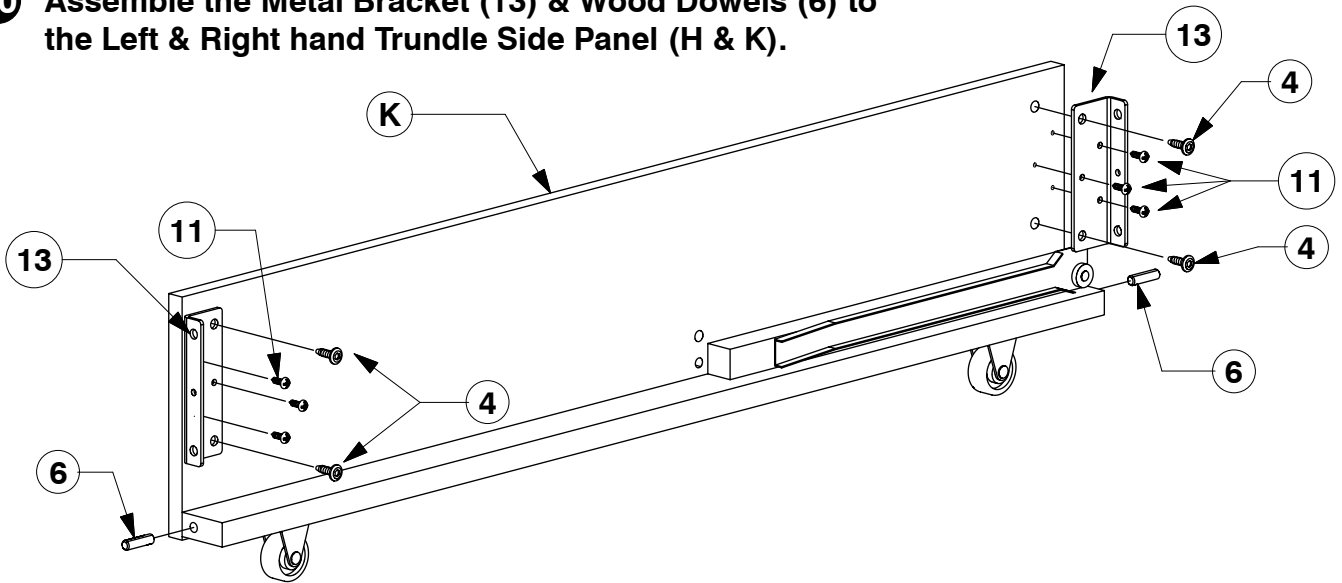


Bed

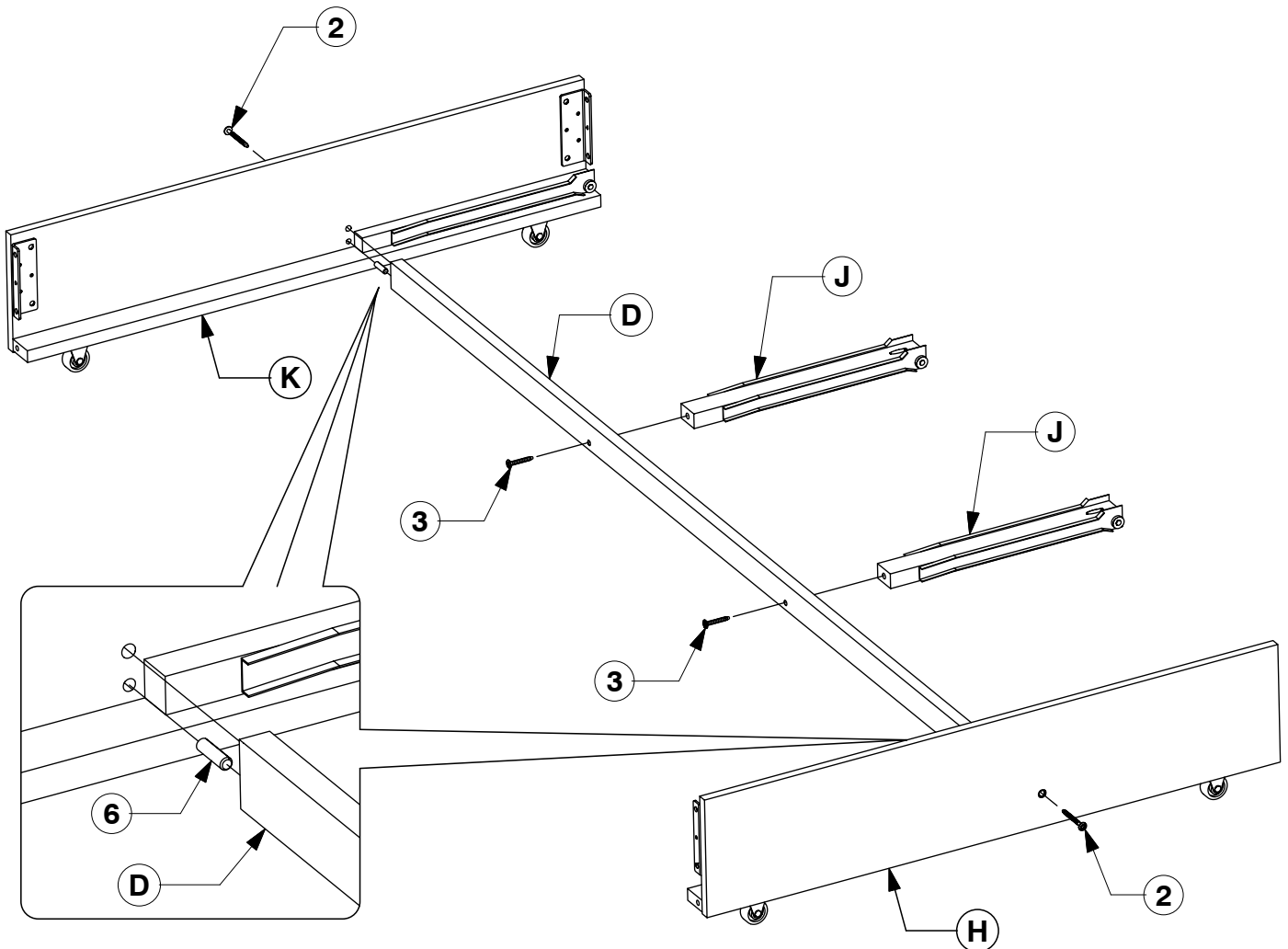
Assembly Instructions

WII-0419

- 10** Assemble the Metal Bracket (13) & Wood Dowels (6) to the Left & Right hand Trundle Side Panel (H & K).



- 11** Attach the Supports (J) to the Support Rail (D) using 40mm JCBs (3). Fit the Support Rail (D) to the Left & Right hand Trundle Side Panel (H & K) using Wood Dowels (6) and 60mm JCBs (2).

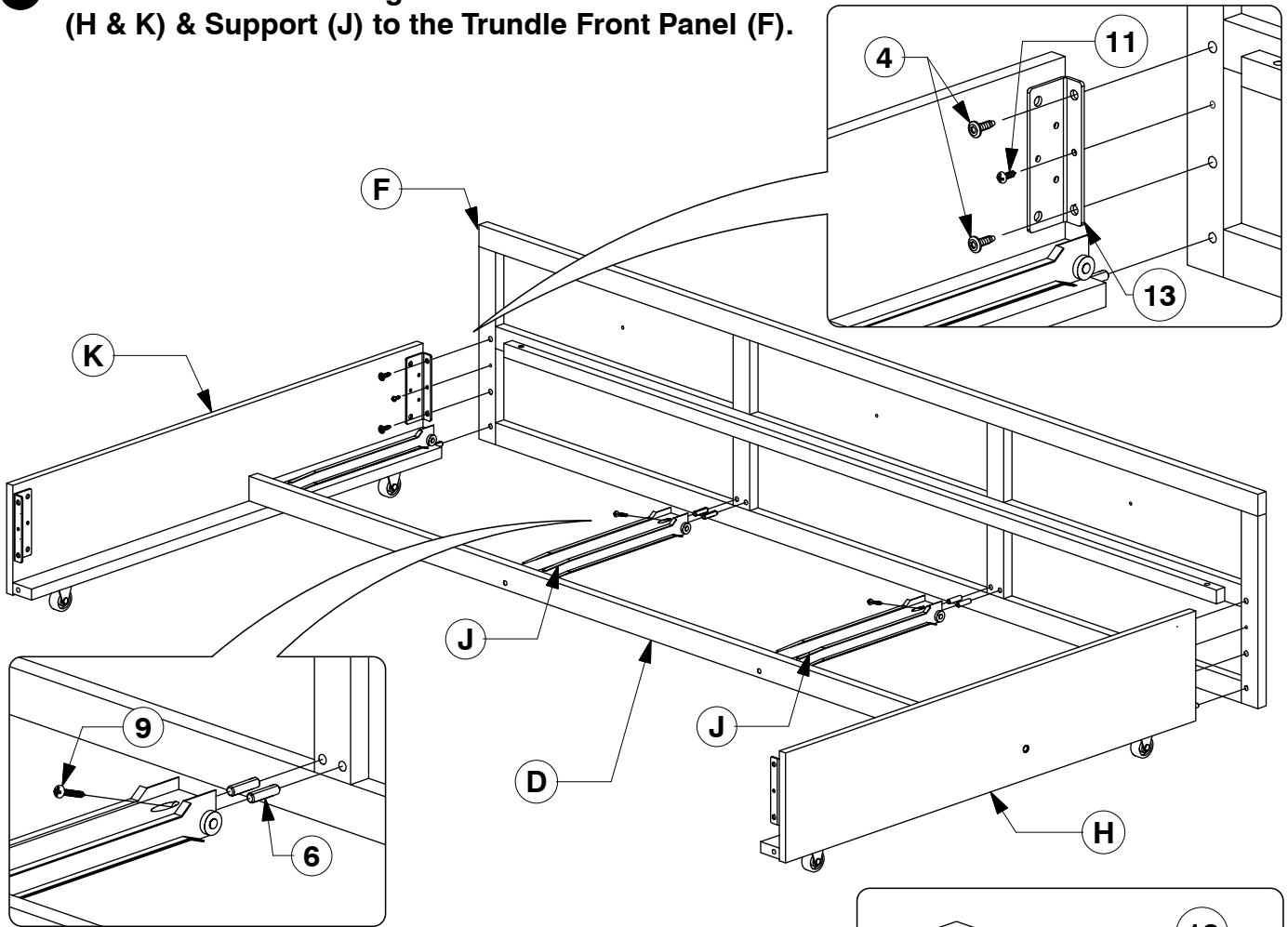


Bed

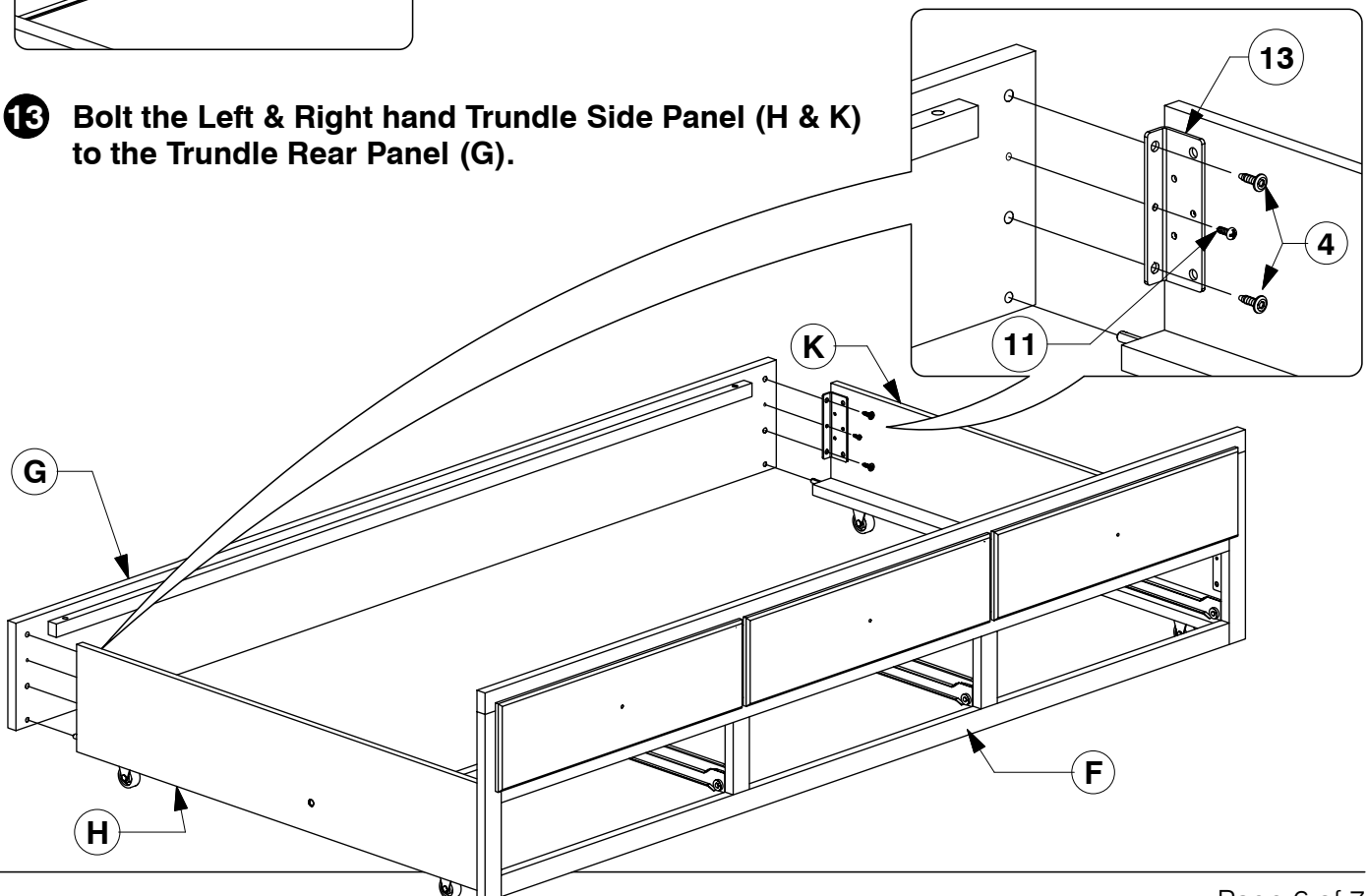
Assembly Instructions

WII-0419

- 12** Assemble the Left & Right hand Trundle Side Panel (H & K) & Support (J) to the Trundle Front Panel (F).



- 13** Bolt the Left & Right hand Trundle Side Panel (H & K) to the Trundle Rear Panel (G).

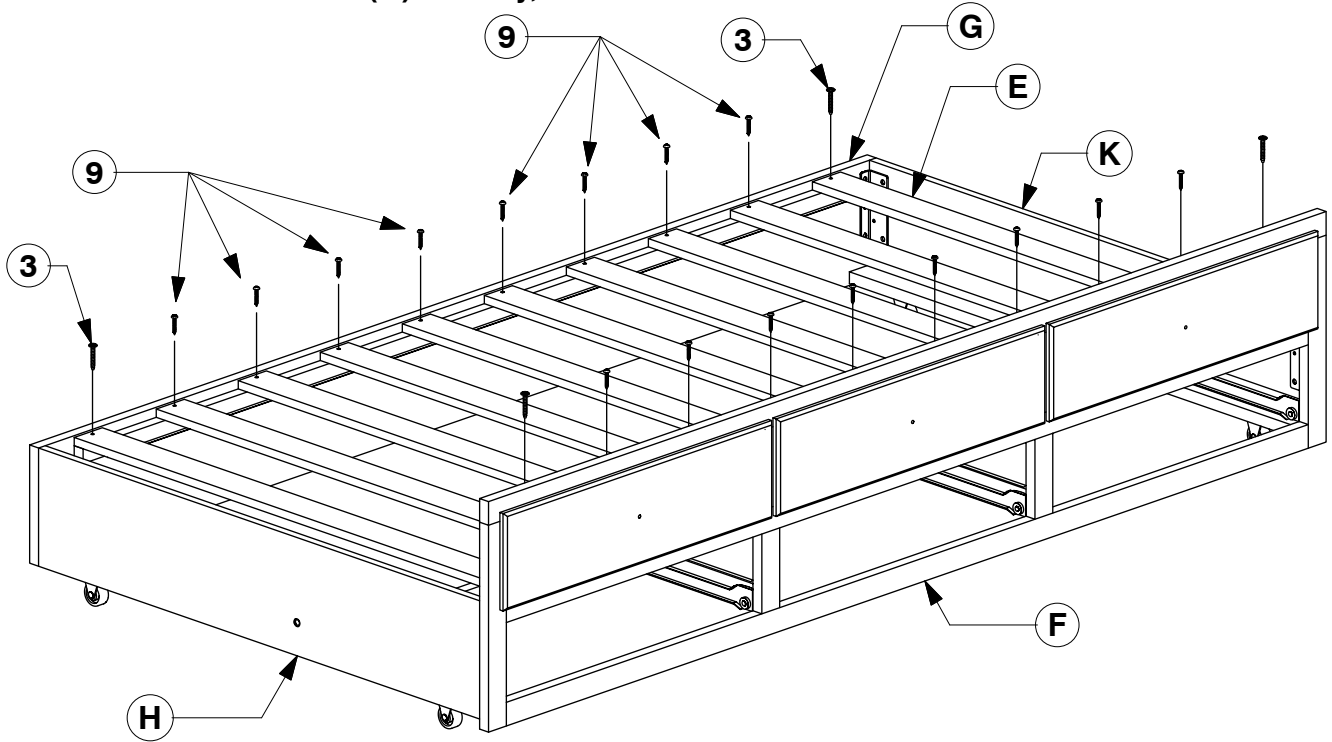


Bed

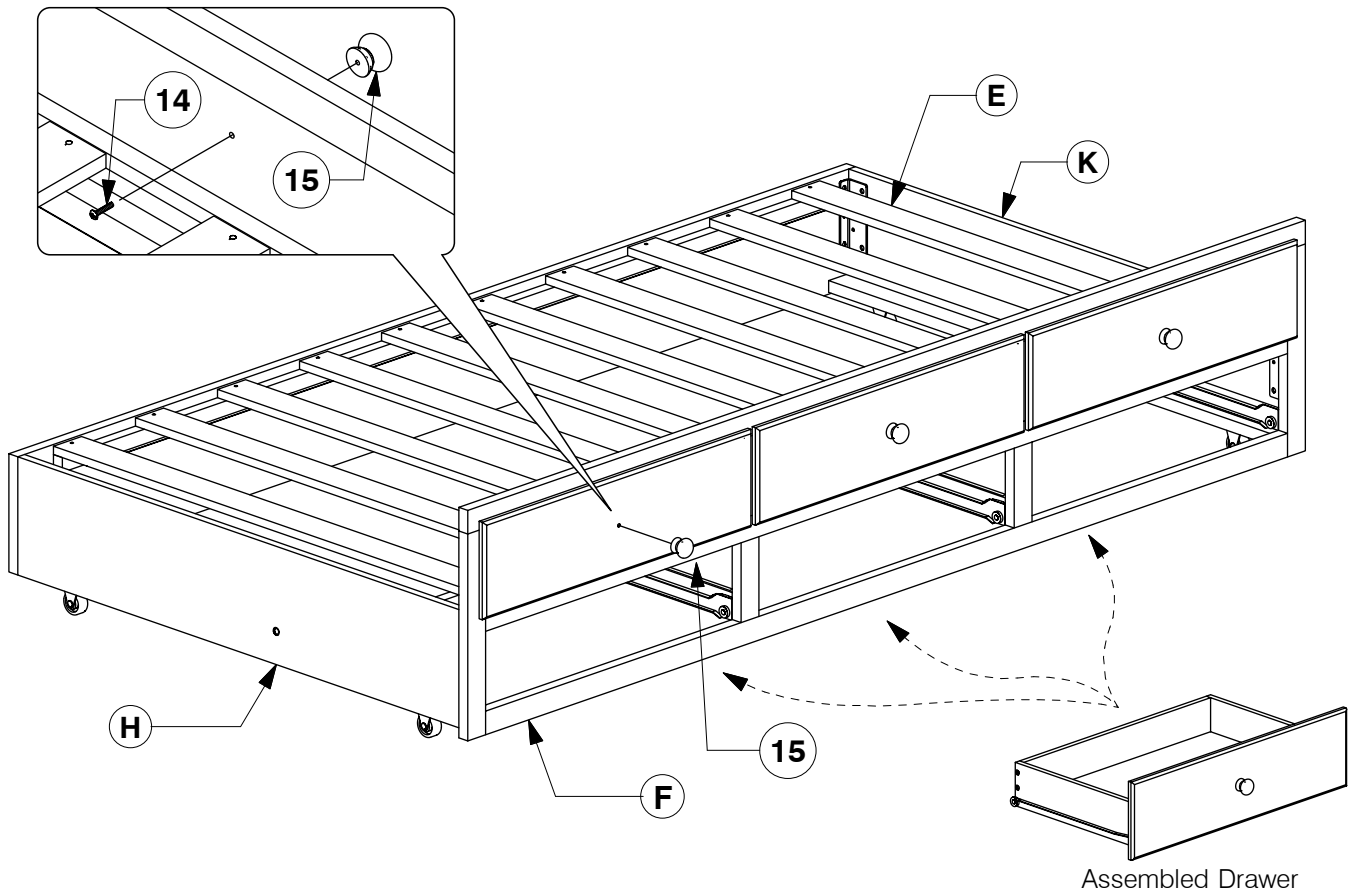
Assembly Instructions

W11-0419

- 14** Assemble the Trundle Slats (E) to the Trundle Front Panel (F) & Trundle Rear Panel (G). Finally, fit the assembled Drawers.



- 15** Fit the Wooden Knobs (15) onto Trundle Front Panel (F). Finally, fit the assembled Drawers.



Assembled Drawer