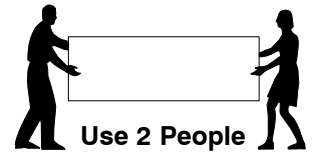
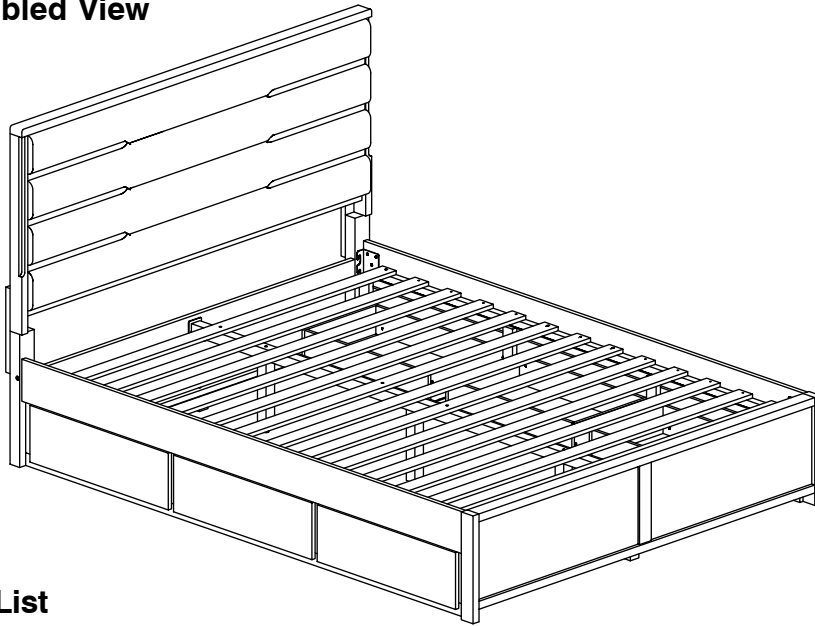


Queen Bed

Assembly Instructions

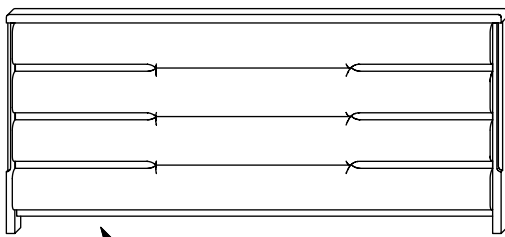
W11-0719

1 Assembled View

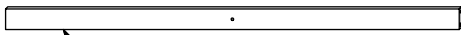


Note: Do not assemble using power tools. This can cause the bolts to be overtightened

2 Parts List



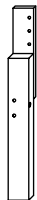
A Headboard Panel x 1



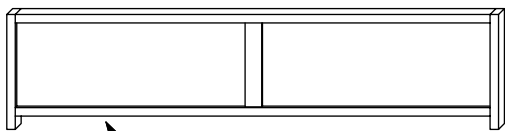
B Headboard Support x 1



C Headboard Post (Left Hand) x 1



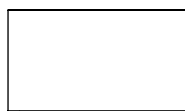
D Headboard Post (Right Hand) x 1



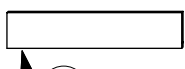
E Footboard Panel x 1



L Drawer Face x 6



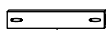
M Drawer Bottom x 6



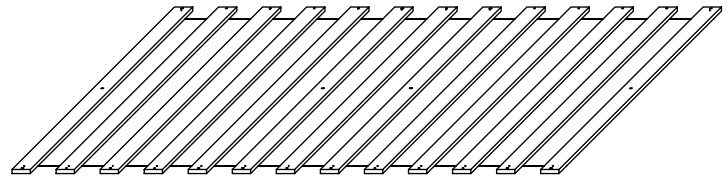
N Drawer Back x 6



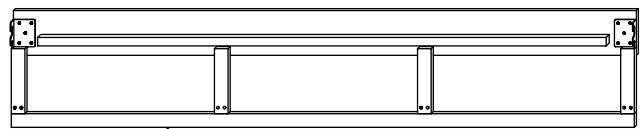
O Drawer Side x 12



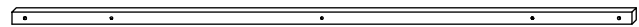
P Drawer Rail x 6



F Set of Slats x 1



G Side Rail x 2



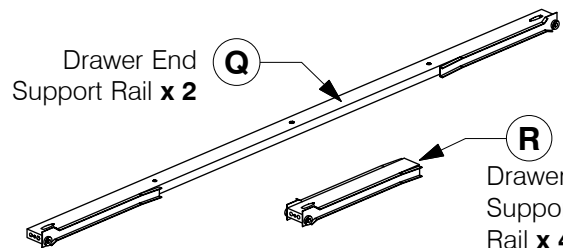
H Long Support x 1



J Support Leg x 3



K Drawer Support Leg x 2



Drawer End Support Rail x 2

Q

Drawer Support Rail x 4

R



S Center Drawer Support x 2

Queen Bed

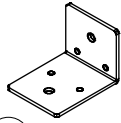
Assembly Instructions

W11-0419

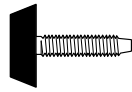
3 Hardware List



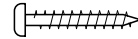
1 M4 Allen Key
x 1



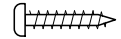
2 Center Rail
Bracket x 2



3 Adjustable
Foot x 3



4 Wood Screw
(M4 x 32mm)
x 28



5 Wood Screw
(M4 x 25mm)
x 60



6 Wood Dowel
(10 x 40mm)
x 2



7 Wood Dowel
(8 x 30mm)
x 16



8 Wood Dowel
(6 x 25mm)
x 24



9 Barrel
Nut x 3



10 Spring
Washer x 14



11 Flat Washer
x 14



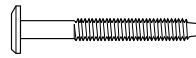
12 M6 x
15mm JCB
x 4



13 M6 x
20mm JCB
x 8



14 M6 x
40mm JCB
x 20

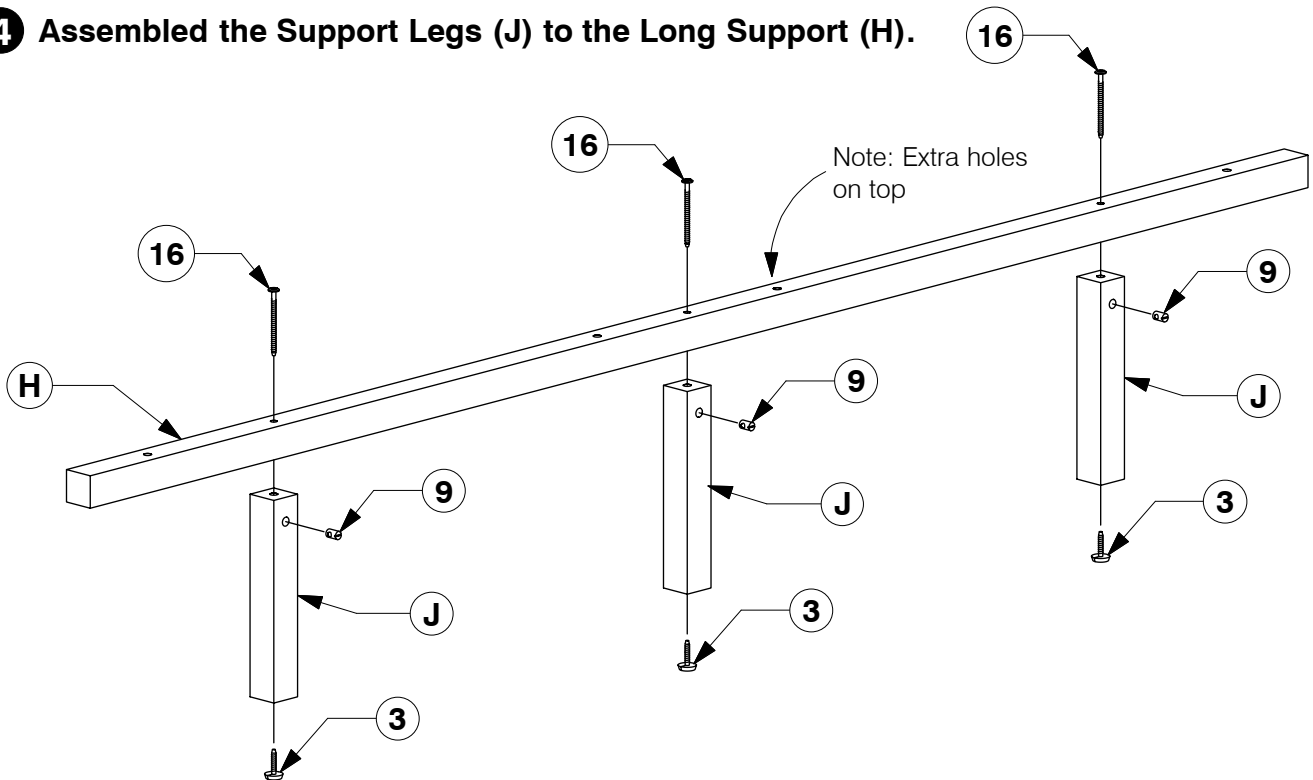


15 M6 x
50mm JCB
x 6

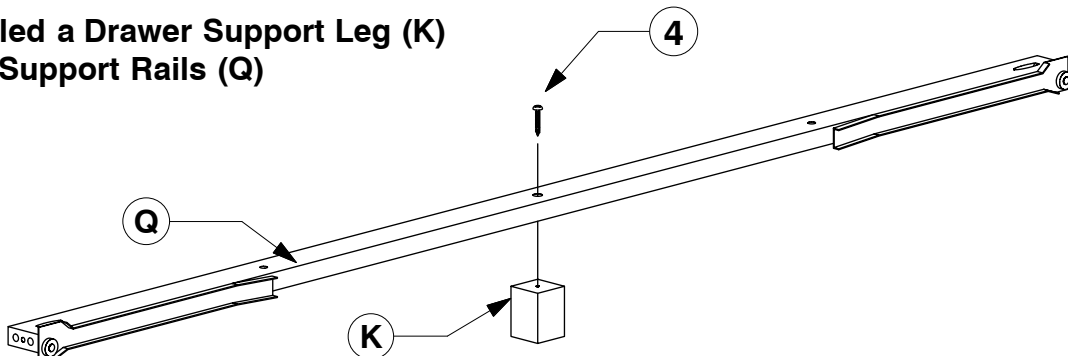


16 M6 x
90mm JCB
x 5

4 Assembled the Support Legs (J) to the Long Support (H).



5 Assembled a Drawer Support Leg (K) to each Support Rails (Q)

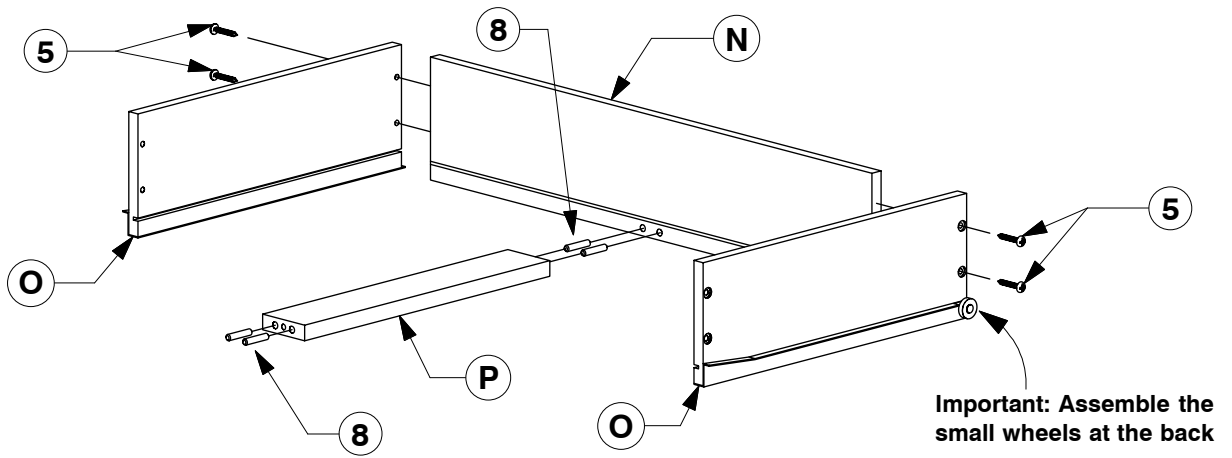


Queen Bed

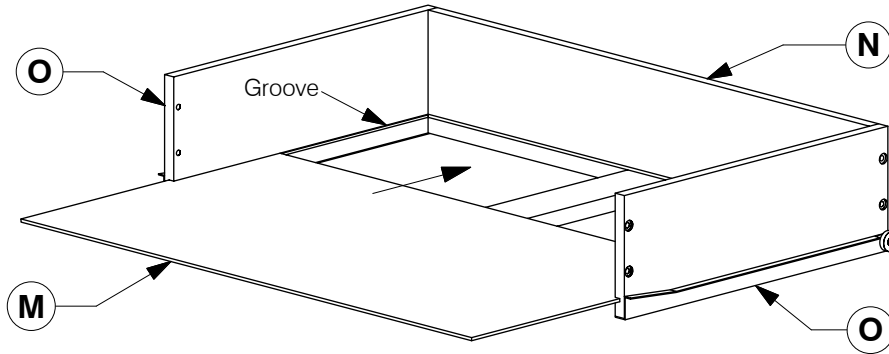
Assembly Instructions

WII-0419

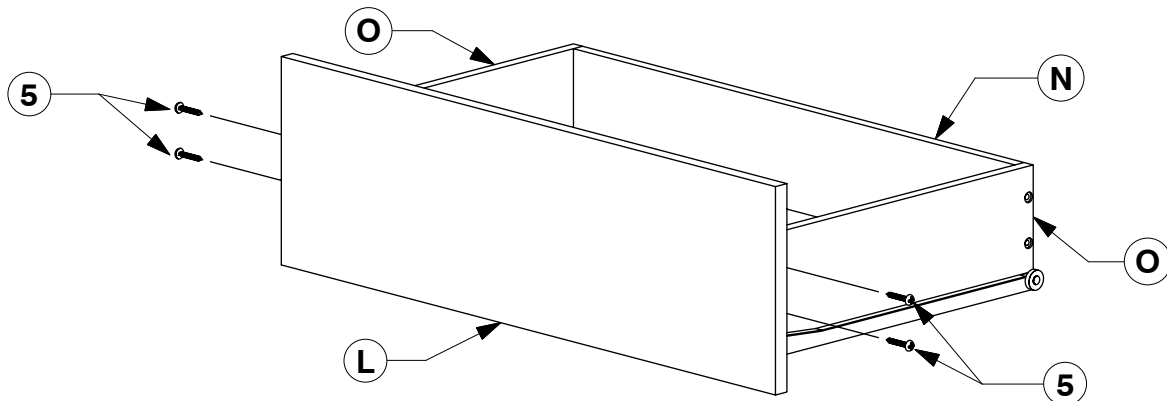
- 6 Assemble the Drawer Sides (O) and Drawer Rail (P) to the Drawer Back (N).
Make sure the small wheels on the Drawer Sides (O) are next to the Drawer Back (N).**



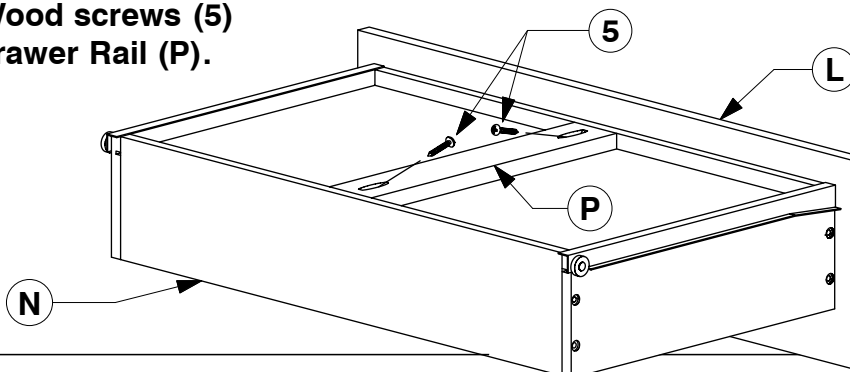
- 7 Slide the Drawer Bottom (M) into the groove on the Drawer Sides (O).**



- 8 Assemble the Drawer Face (L) to the Drawer Sides (O).**



- 9 Turn the Drawer over to fit angled 25mm Wood screws (5) to the Drawer Rail (P).**

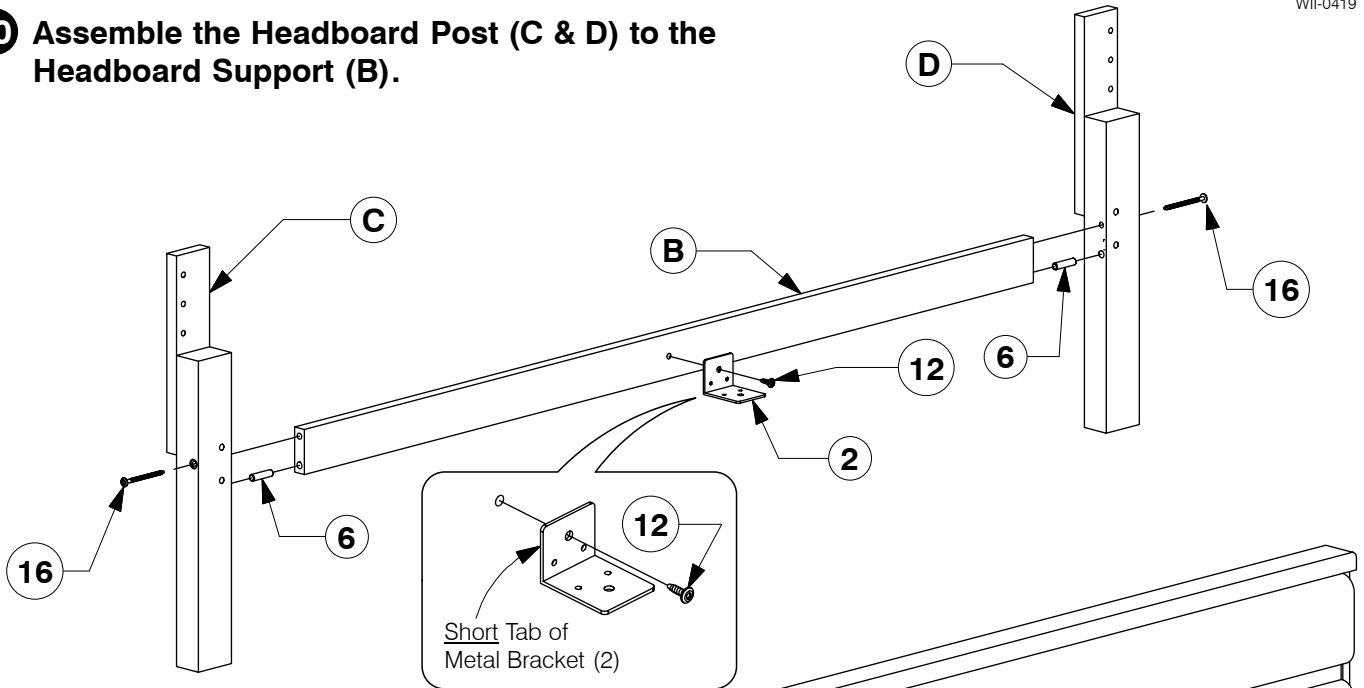


Queen Bed

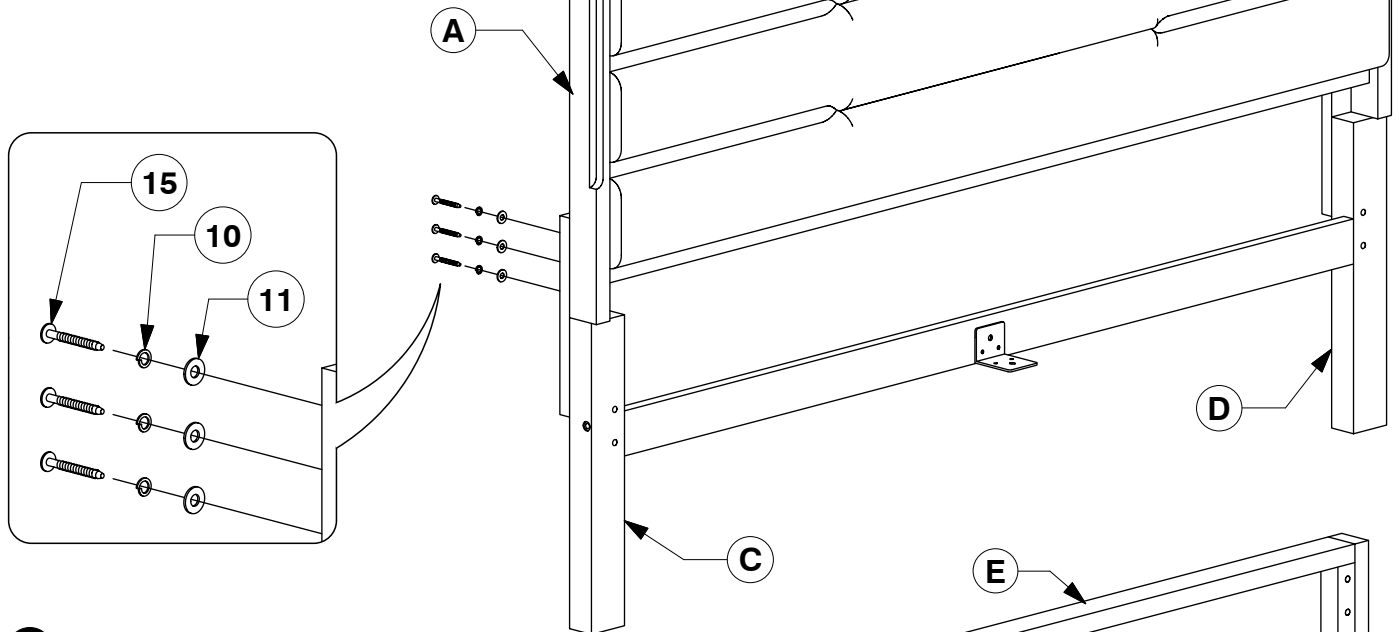
Assembly Instructions

WII-0419

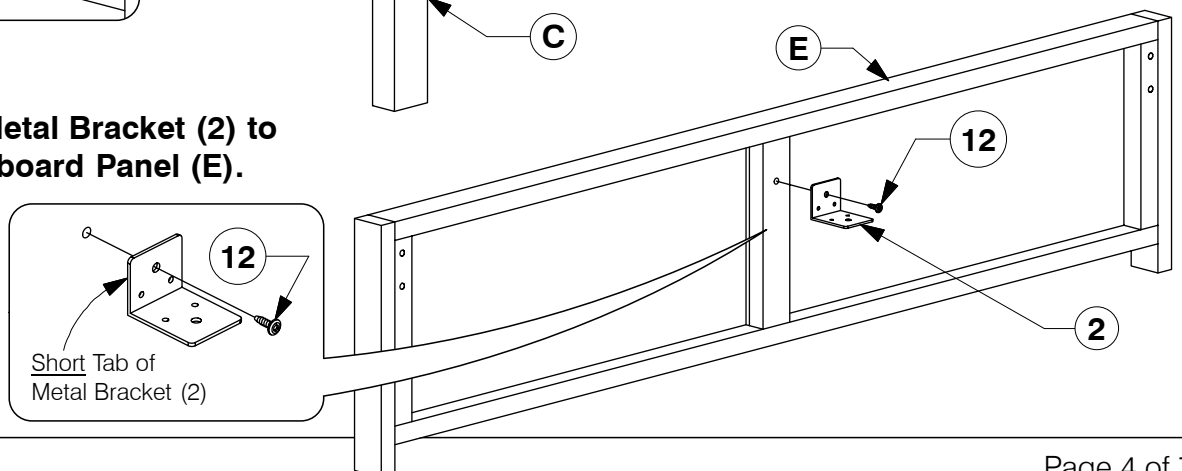
- 10** Assemble the Headboard Post (C & D) to the Headboard Support (B).



- 11** Assemble the Headboard Panel (A) to the Headboard Post (C & D).



- 12** Fit the Metal Bracket (2) to the Footboard Panel (E).

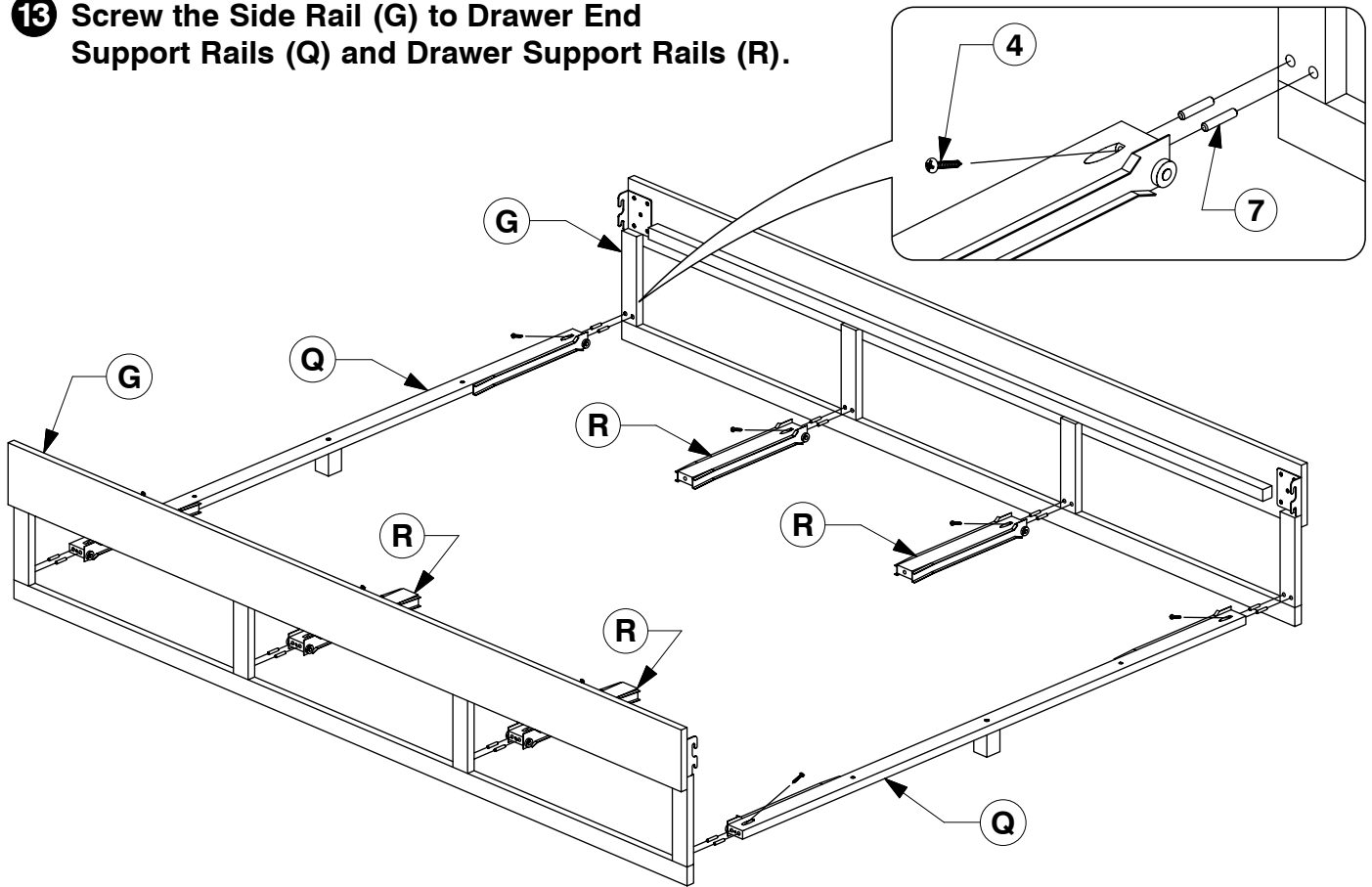


Queen Bed

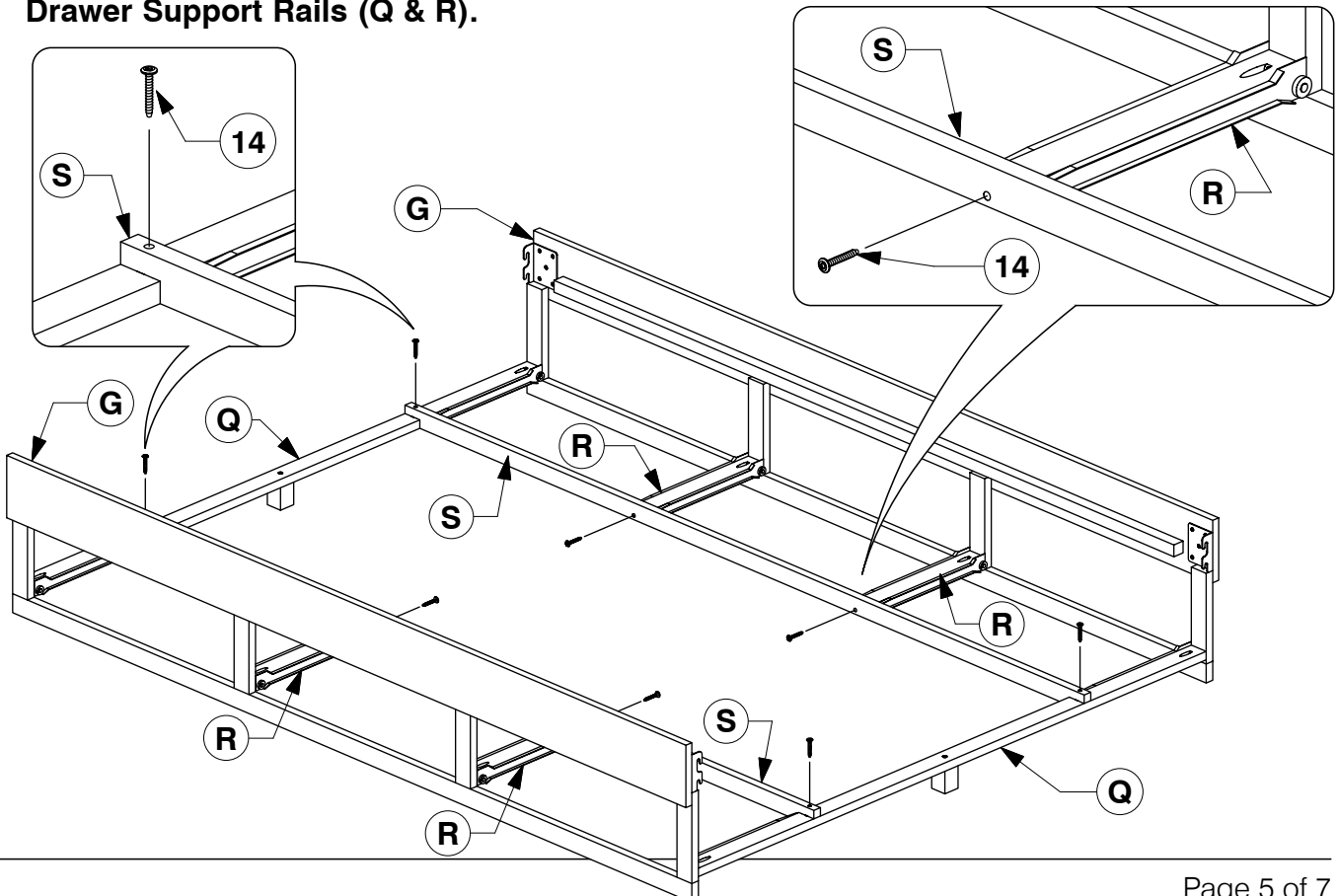
Assembly Instructions

W11-0419

- 13** Screw the Side Rail (G) to Drawer End Support Rails (Q) and Drawer Support Rails (R).



- 14** Bolt the Center Drawer Support (S) to the Drawer End Support Rails & Drawer Support Rails (Q & R).

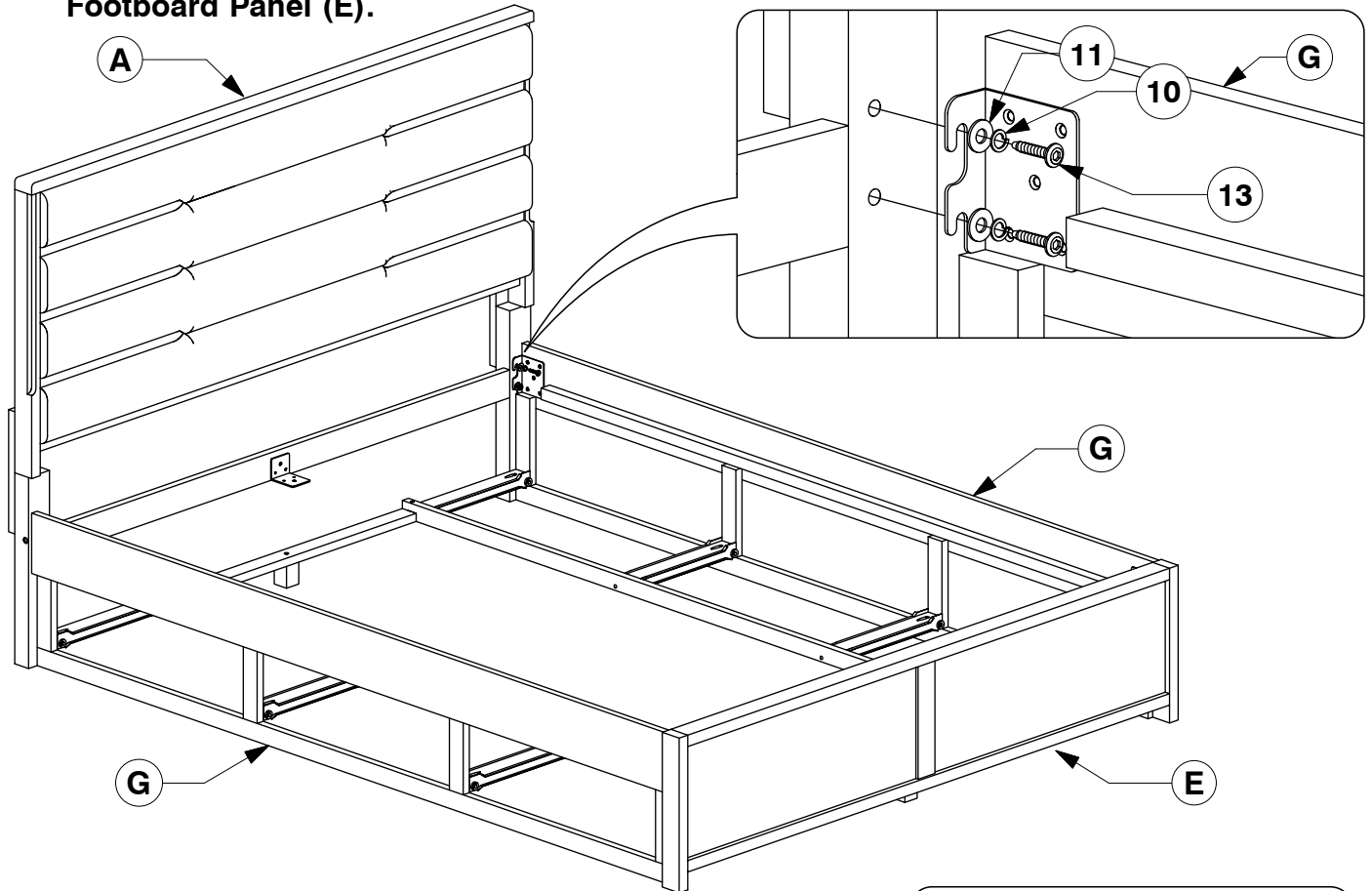


Queen Bed

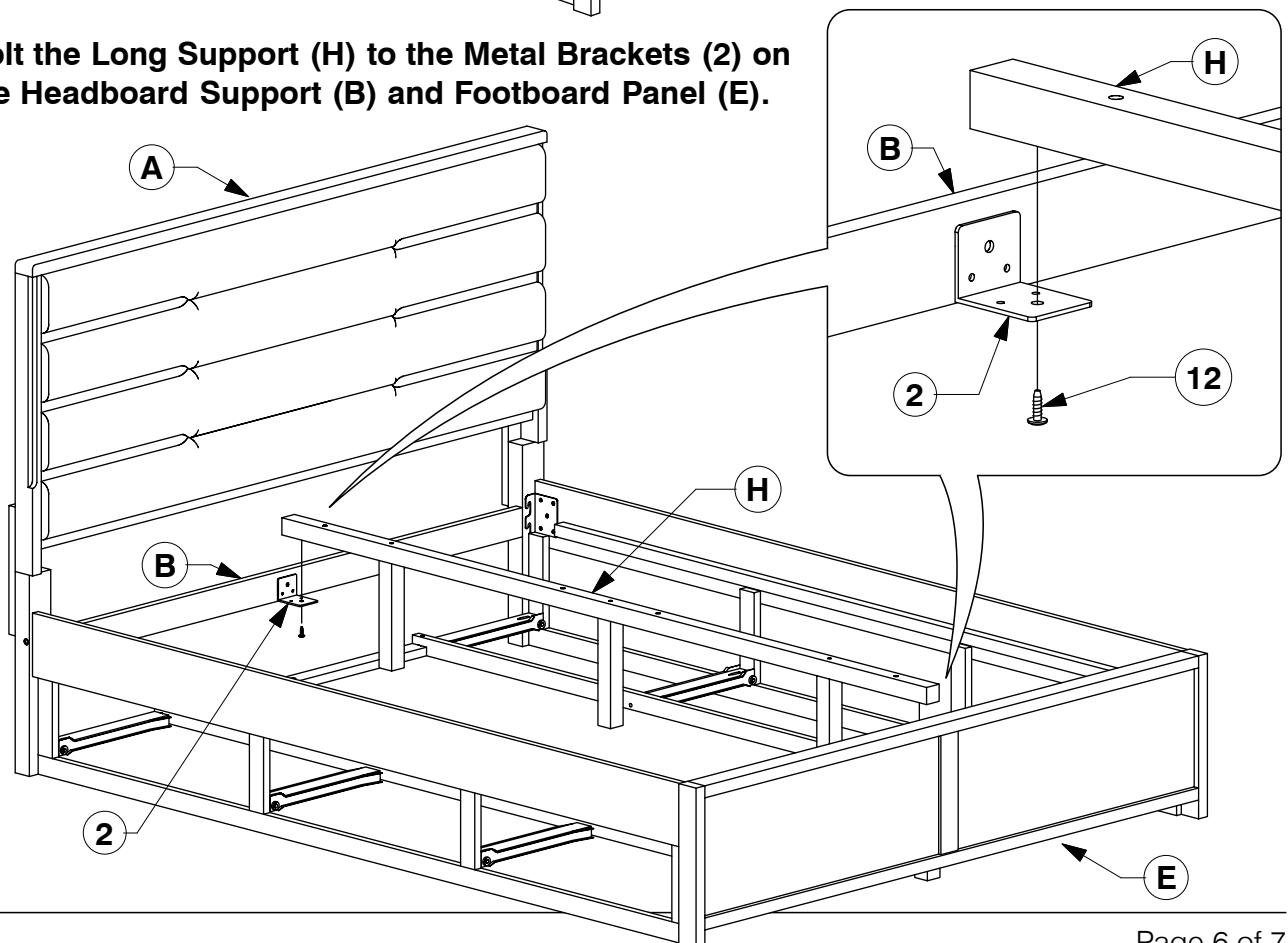
Assembly Instructions

W11-0419

- 15** Assemble the Side Rail (G) to the assembled Headboard Panel (A) and Footboard Panel (E).



- 16** Bolt the Long Support (H) to the Metal Brackets (2) on the Headboard Support (B) and Footboard Panel (E).

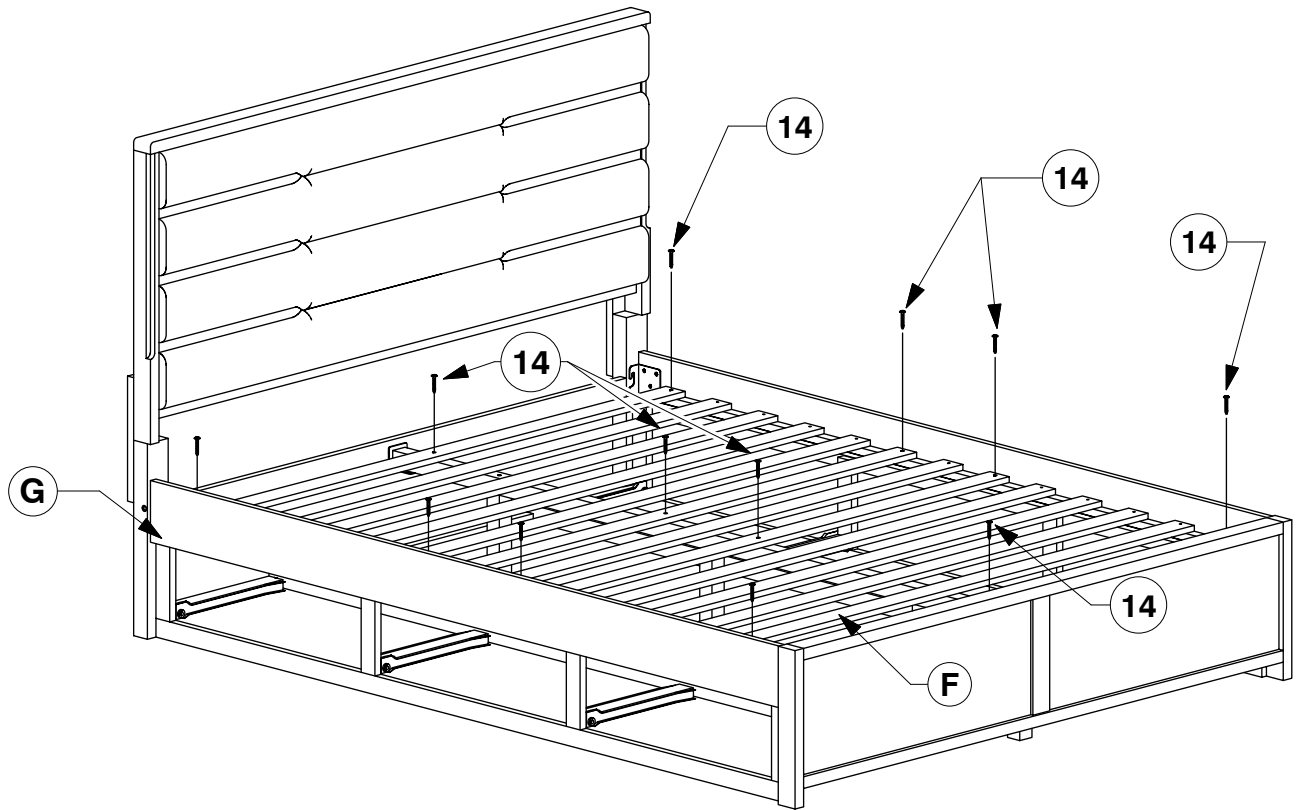


Queen Bed

Assembly Instructions

WII-0719

17 Bolt the Slats (F) to the Side Rail (G).



18 Screw the Slats (F) to the Side Rail (G).

Finally fit the assembled Drawers.

