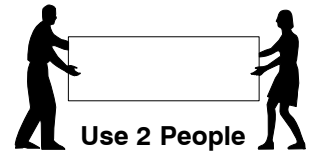
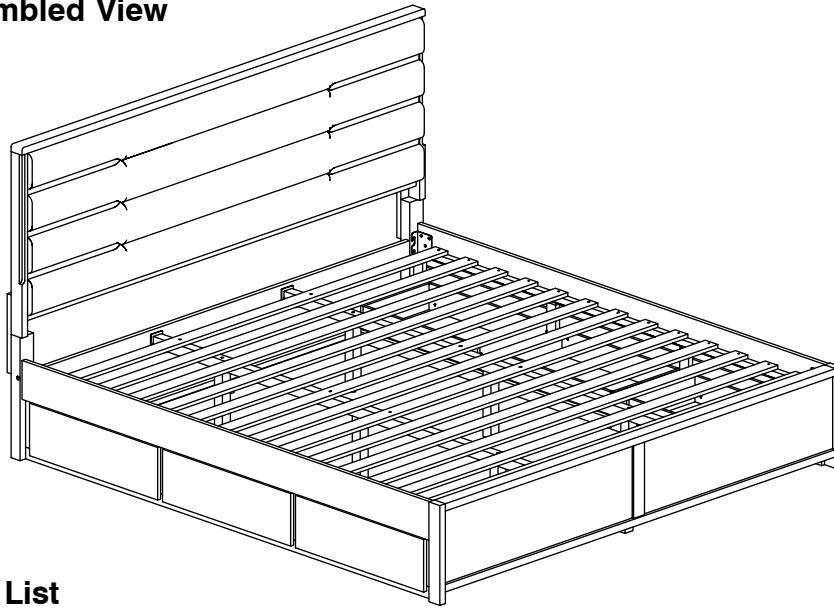


King Bed

Assembly Instructions

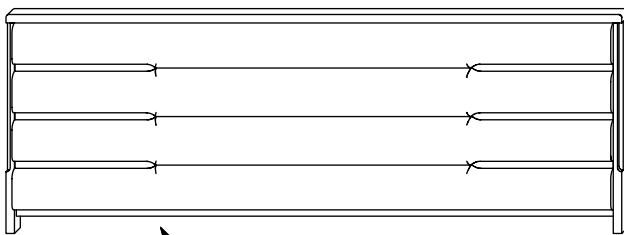
W11-0719

1 Assembled View

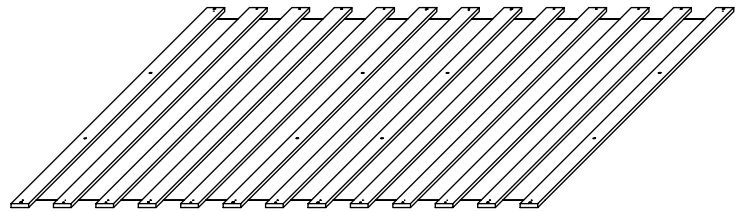


Note: Do not assemble using power tools. This can cause the bolts to be overtightened

2 Parts List



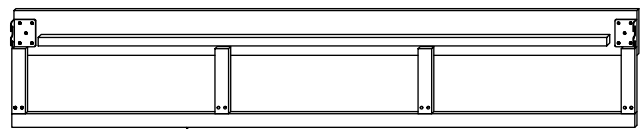
A Headboard Panel x 1



F Set of Slats x 1



B Headboard Support x 1



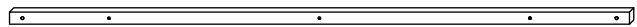
G Side Rail x 2



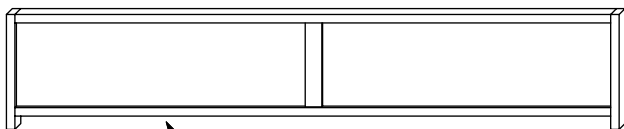
C Headboard Post (Left Hand) x 1



D Headboard Post (Right Hand) x 1



H Long Support x 2



E Footboard Panel x 1



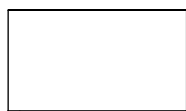
J Support Leg x 6



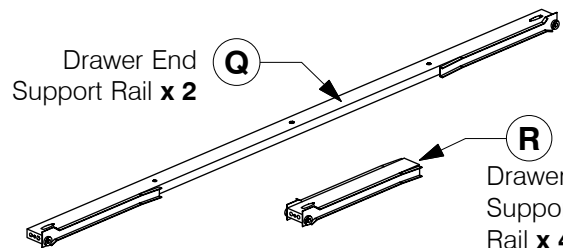
K Drawer Support Leg x 2



L Drawer Face x 6

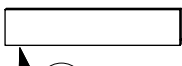


M Drawer Bottom x 6



Drawer End Support Rail x 2

R Drawer Support Rail x 4



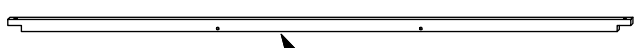
N Drawer Back x 6



O Drawer Side x 12



P Drawer Rail x 6



S Center Drawer Support x 2

King Bed

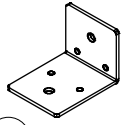
Assembly Instructions

W11-0419

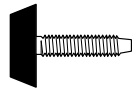
3 Hardware List



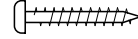
1 M4 Allen Key
x 1



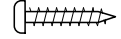
2 Center Rail Bracket
x 4



3 Adjustable Foot
x 6



4 Wood Screw (M4 x 32mm)
x 28



5 Wood Screw (M4 x 25mm)
x 60



6 Wood Dowel (10 x 40mm)
x 2



7 Wood Dowel (8 x 30mm)
x 16



8 Wood Dowel (6 x 25mm)
x 24



9 Barrel Nut
x 6



10 Spring Washer
x 14



11 Flat Washer
x 14



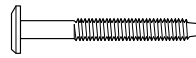
12 M6 x 15mm JCB
x 8



13 M6 x 20mm JCB
x 8



14 M6 x 40mm JCB
x 24

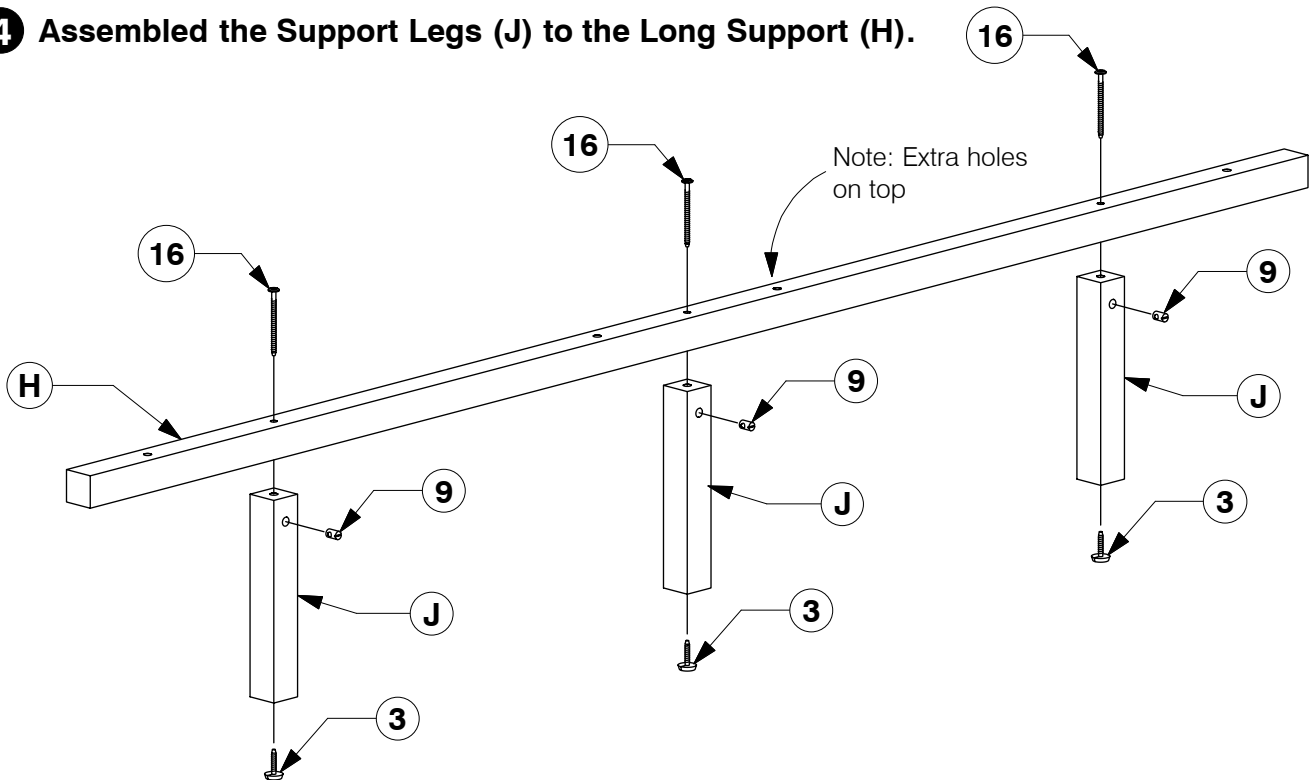


15 M6 x 50mm JCB
x 6

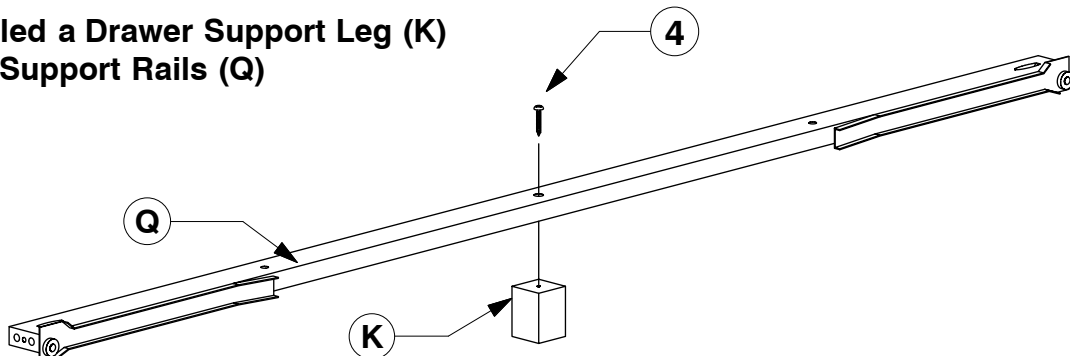


16 M6 x 90mm JCB
x 8

4 Assembled the Support Legs (J) to the Long Support (H).



5 Assembled a Drawer Support Leg (K) to each Support Rails (Q)

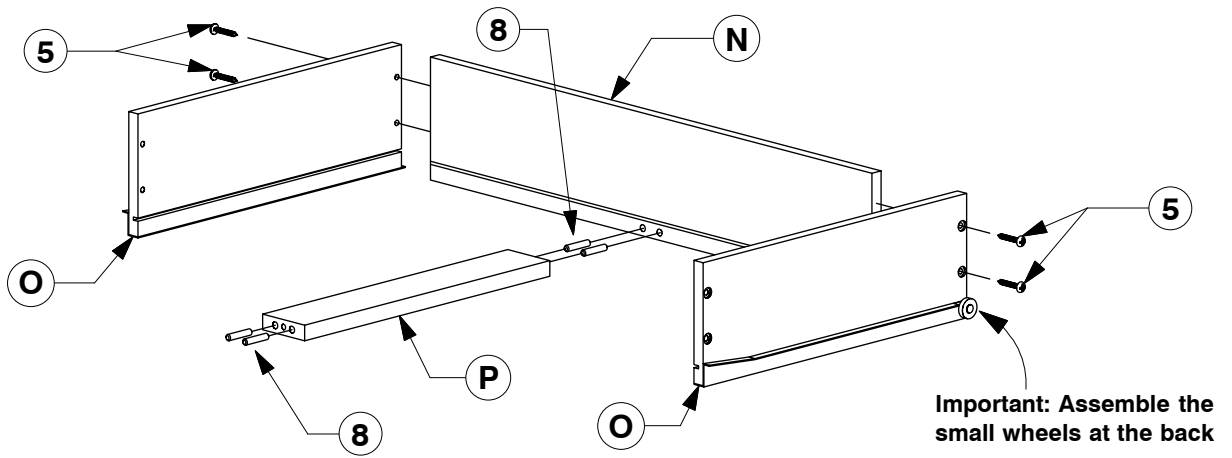


King Bed

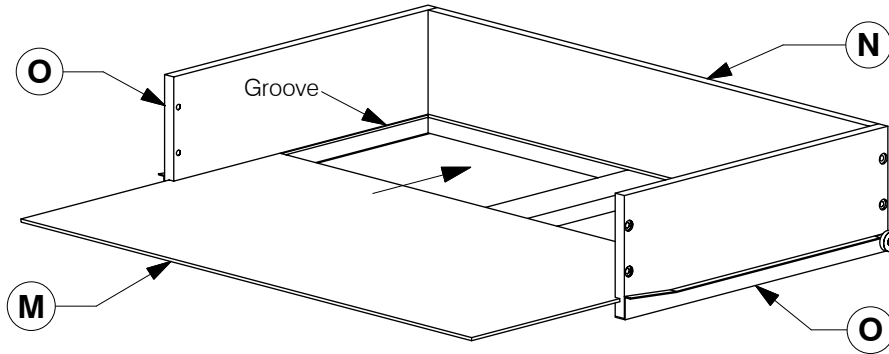
Assembly Instructions

W11-0419

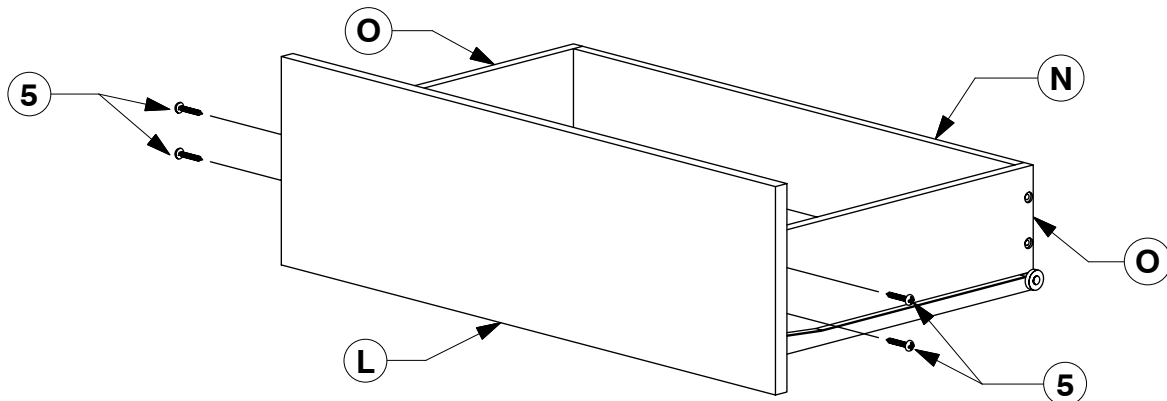
- 6 Assemble the Drawer Sides (O) and Drawer Rail (P) to the Drawer Back (N).
Make sure the small wheels on the Drawer Sides (O) are next to the Drawer Back (N).**



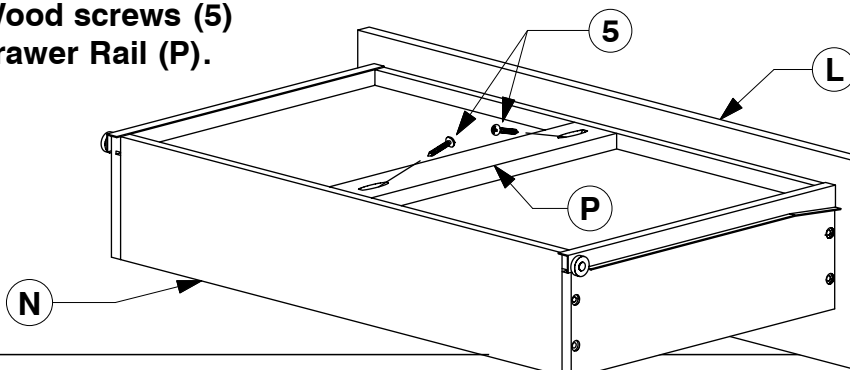
- 7 Slide the Drawer Bottom (M) into the groove on the Drawer Sides (O).**



- 8 Assemble the Drawer Face (L) to the Drawer Sides (O).**



- 9 Turn the Drawer over to fit angled 25mm Wood screws (5) to the Drawer Rail (P).**

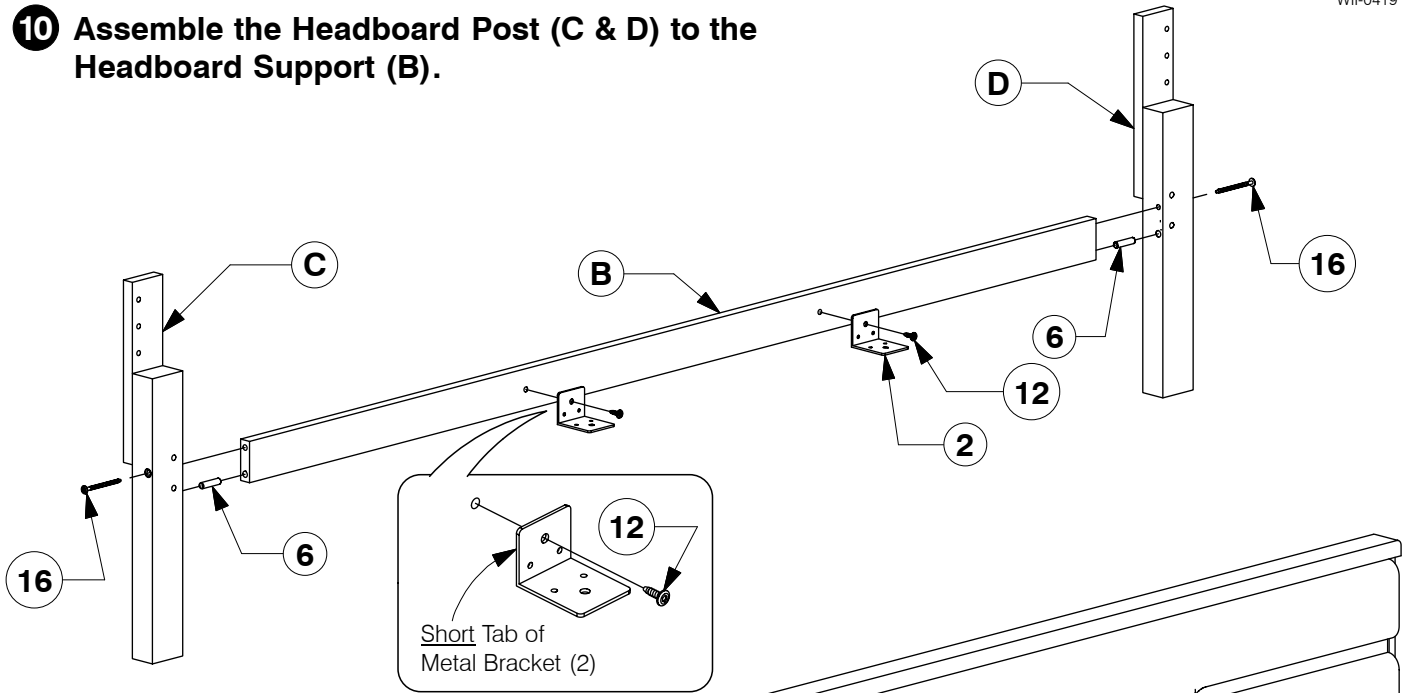


King Bed

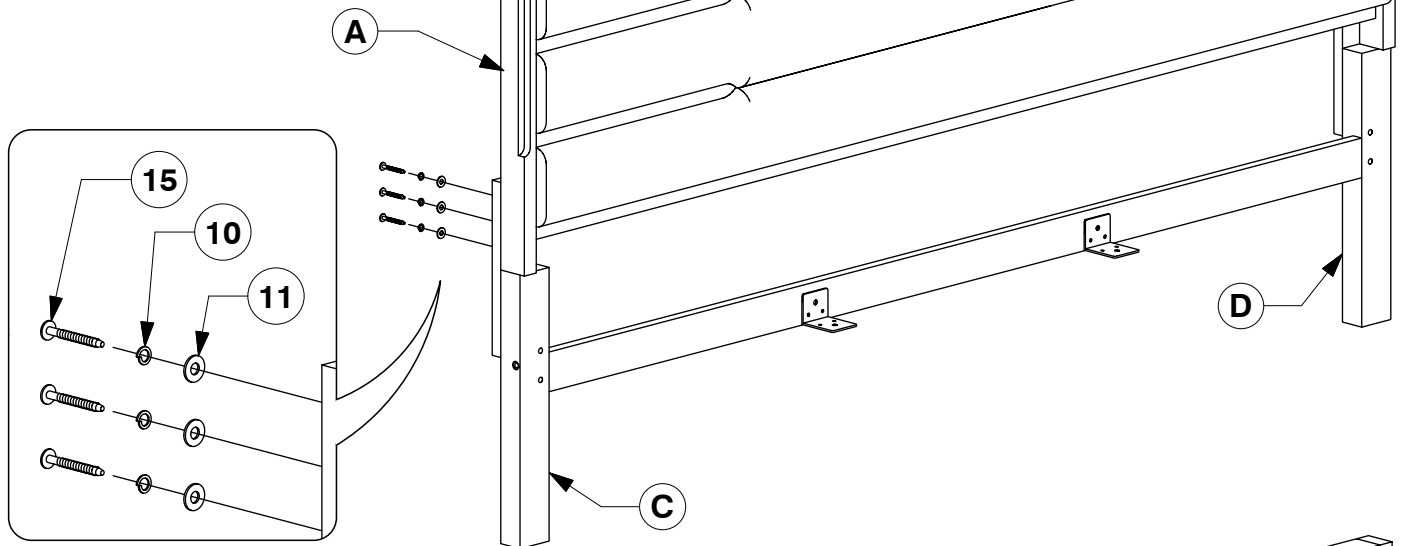
Assembly Instructions

W11-0419

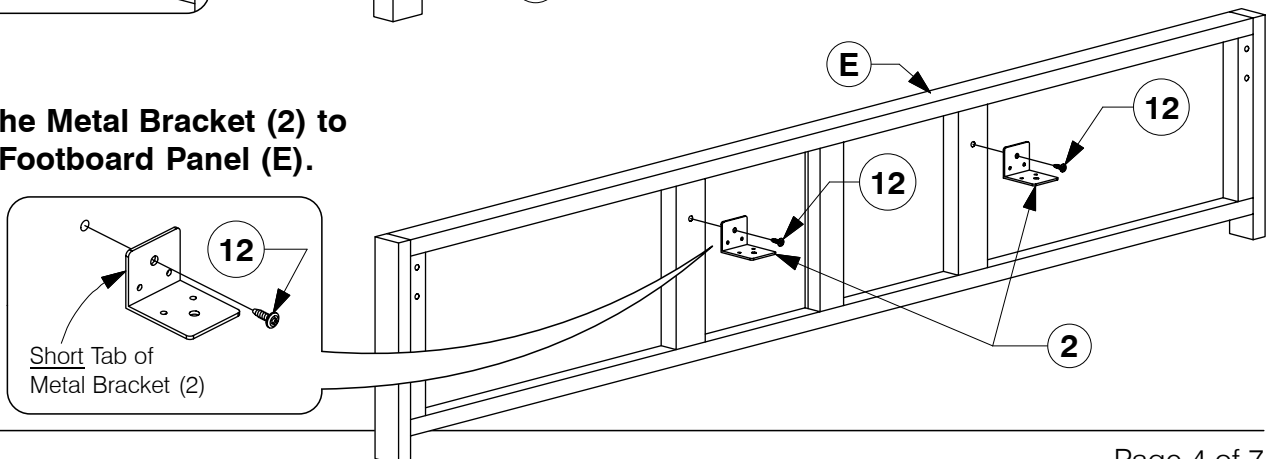
- 10** Assemble the Headboard Post (C & D) to the Headboard Support (B).



- 11** Assemble the Headboard Panel (A) to the Headboard Post (C & D).



- 12** Fit the Metal Bracket (2) to the Footboard Panel (E).

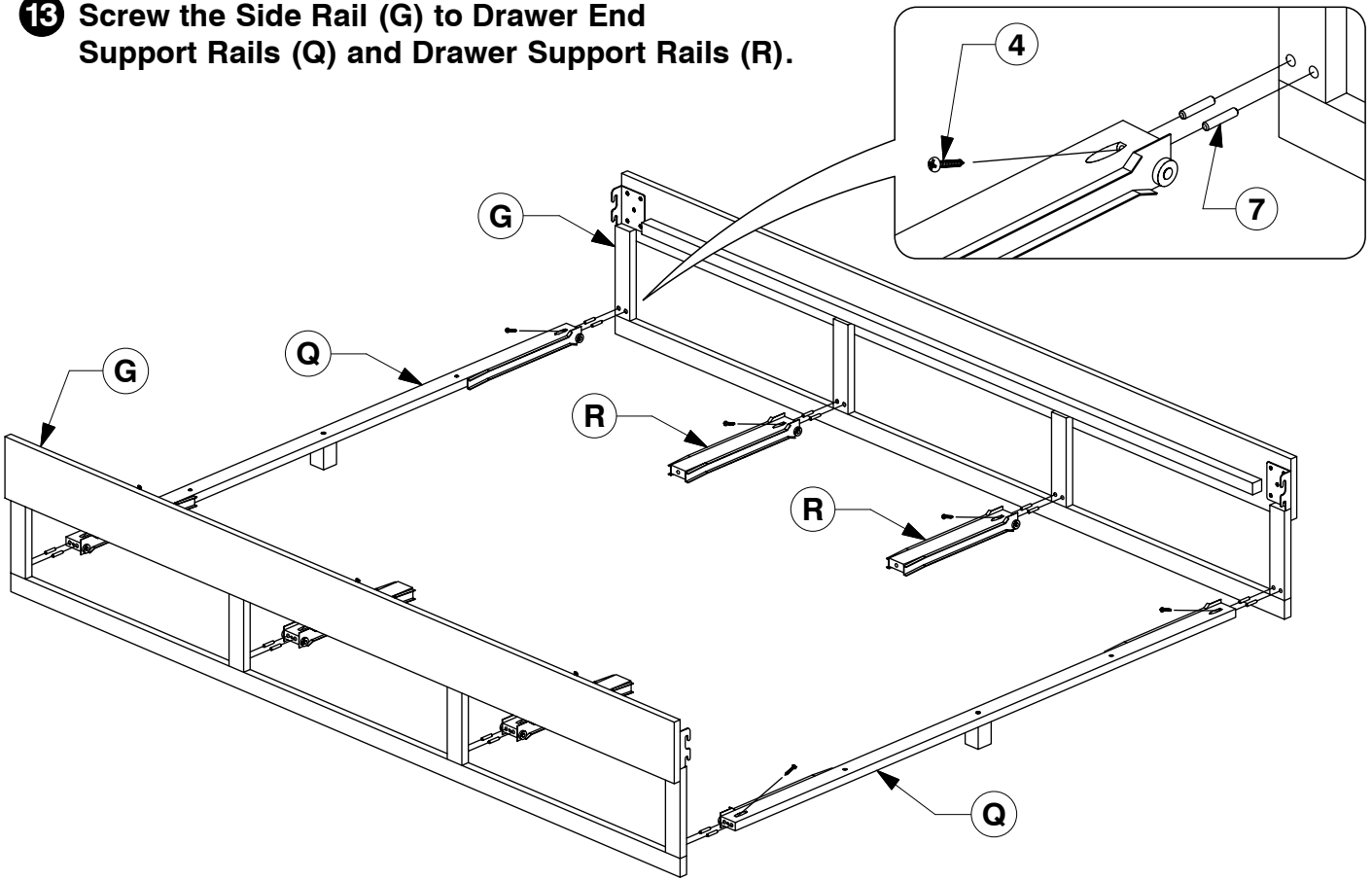


King Bed

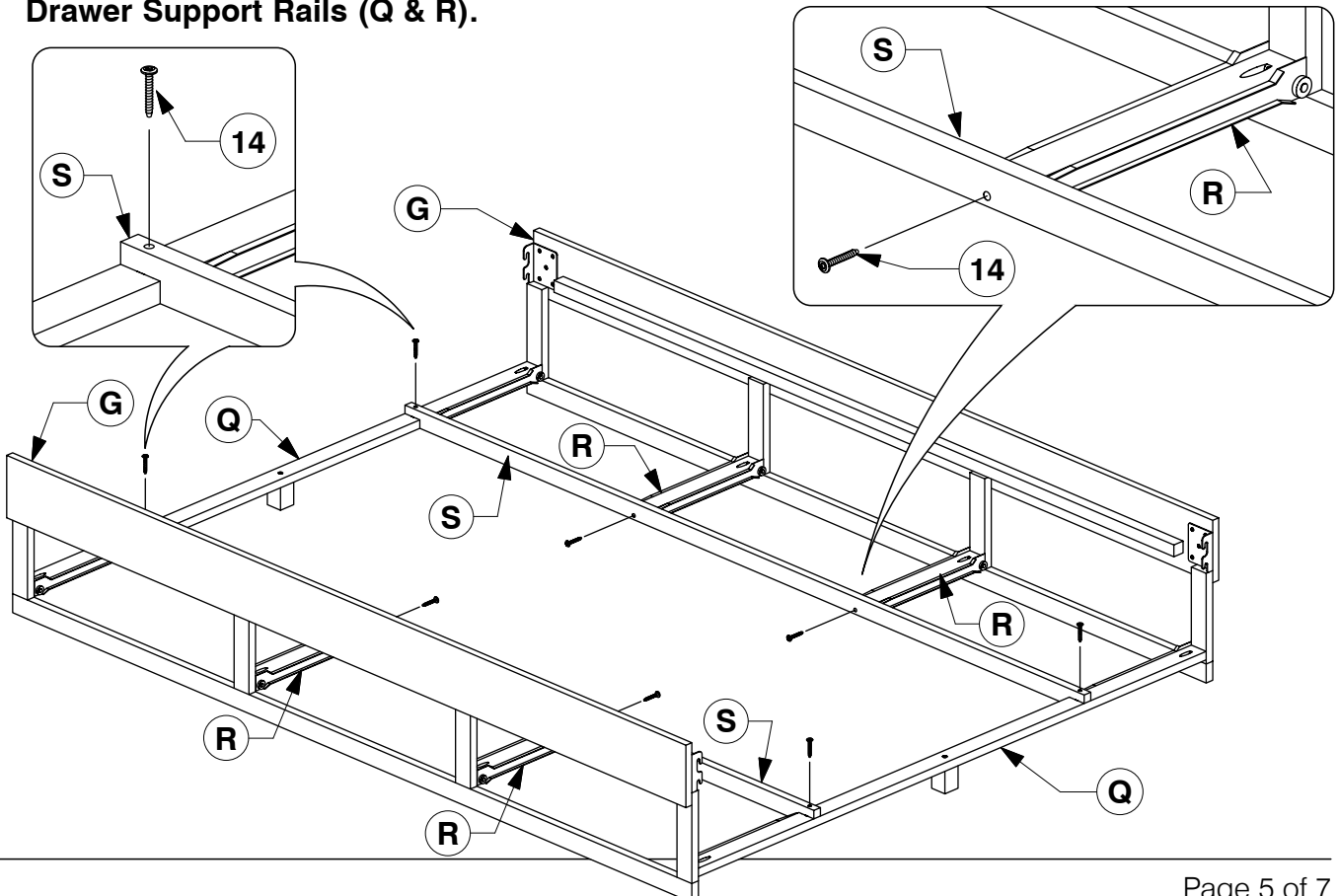
Assembly Instructions

W11-0419

- 13** Screw the Side Rail (G) to Drawer End Support Rails (Q) and Drawer Support Rails (R).



- 14** Bolt the Center Drawer Support (S) to the Drawer End Support Rails & Drawer Support Rails (Q & R).

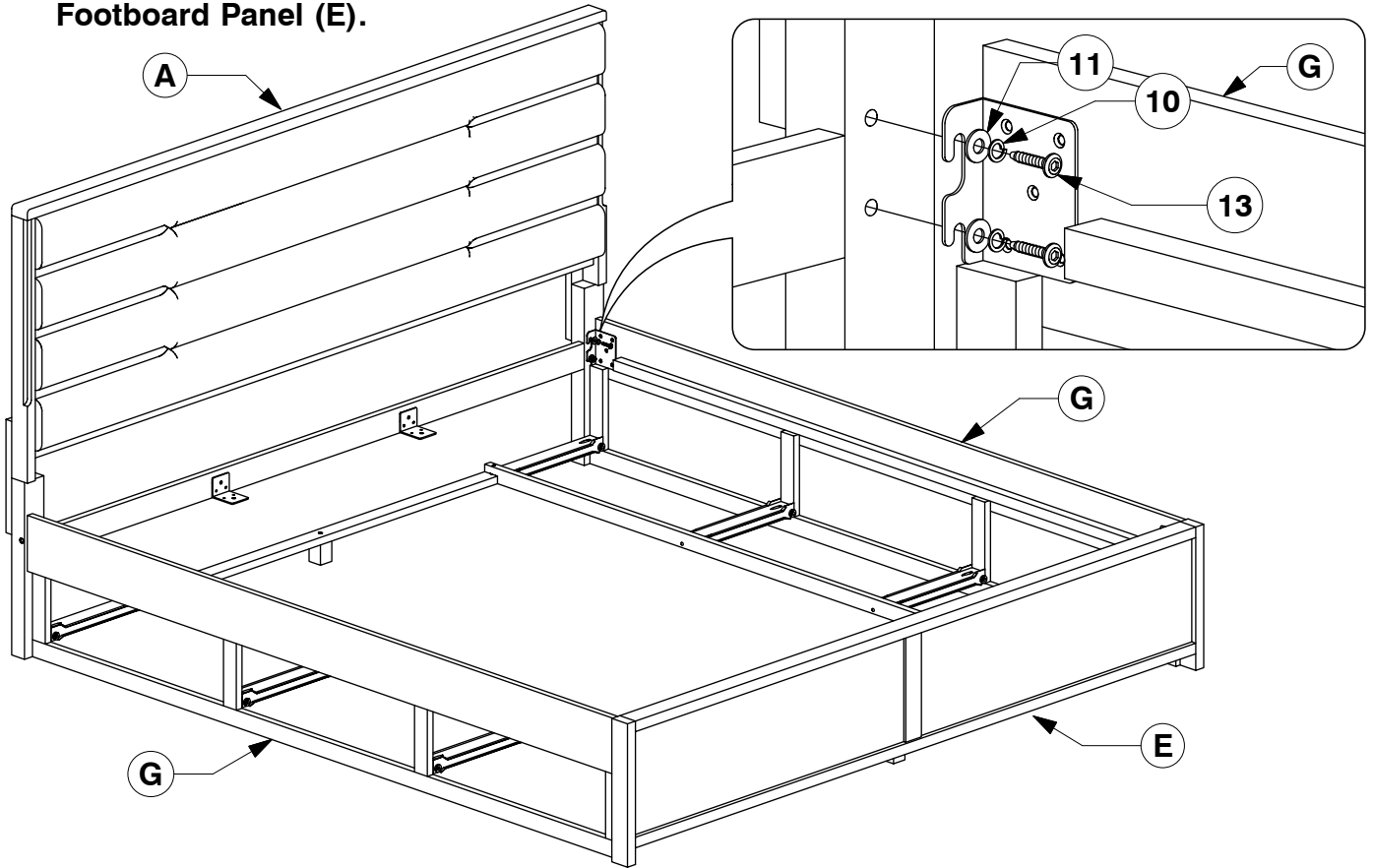


King Bed

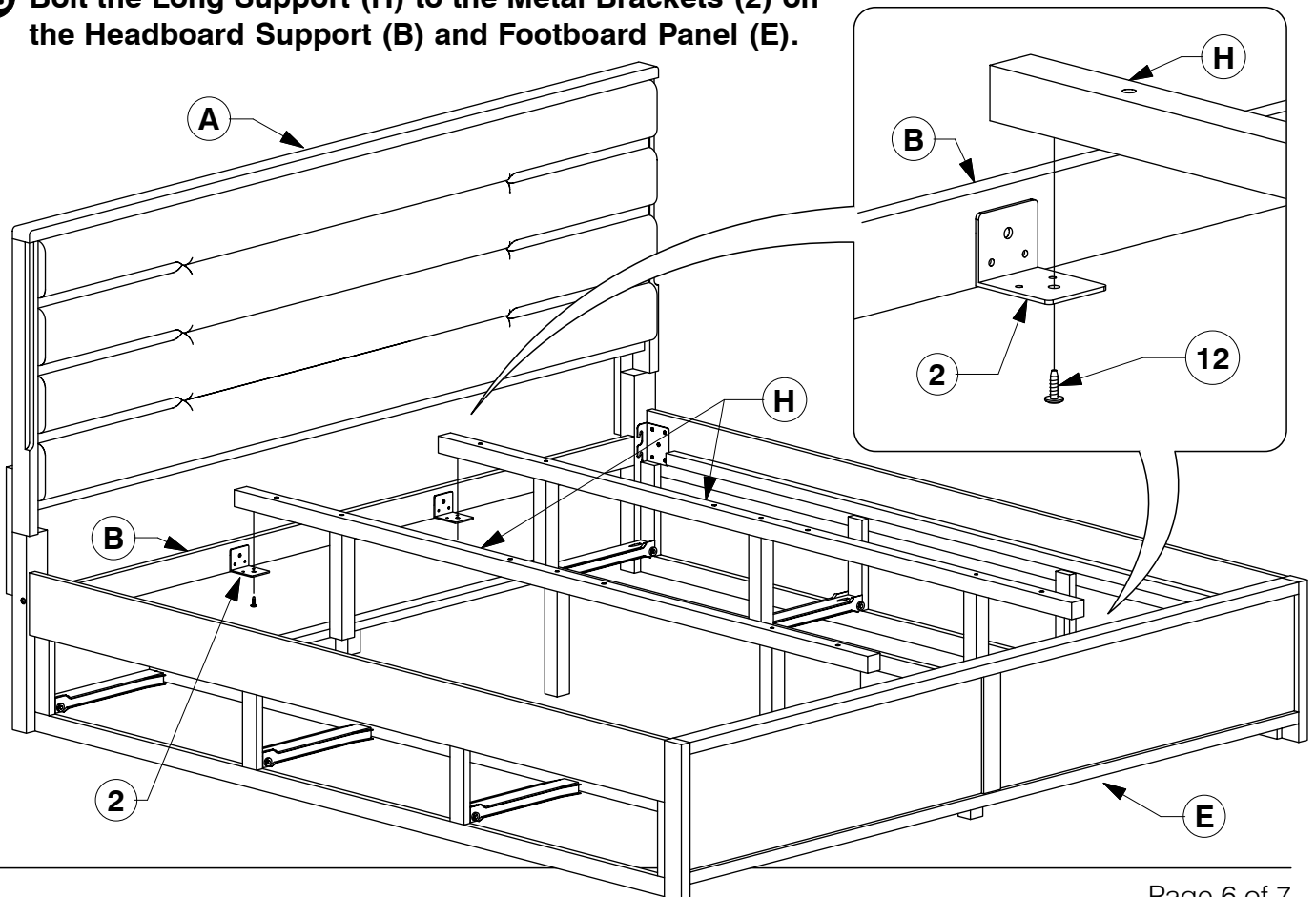
Assembly Instructions

WII-0419

- 15** Assemble the Side Rail (G) to the assembled Headboard Panel (A) and Footboard Panel (E).



- 16** Bolt the Long Support (H) to the Metal Brackets (2) on the Headboard Support (B) and Footboard Panel (E).

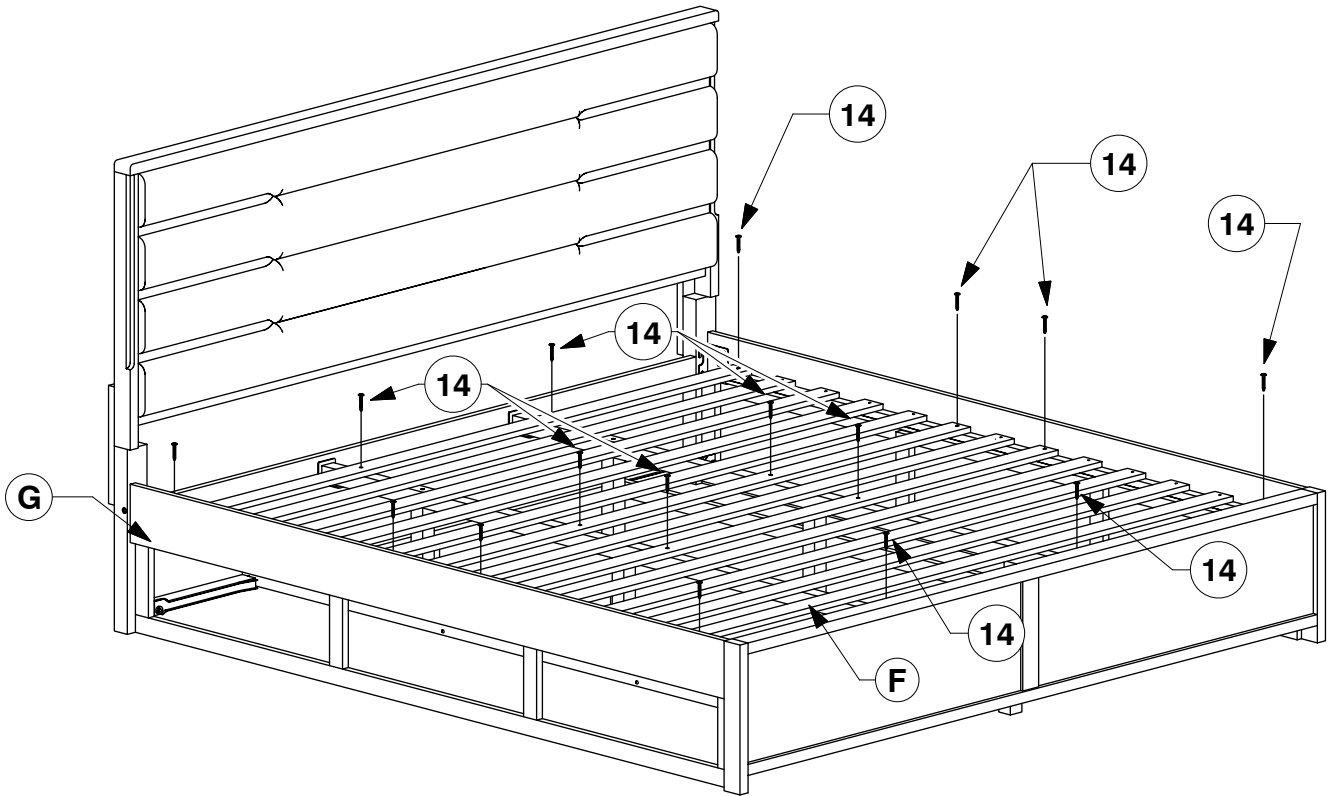


King Bed

Assembly Instructions

WII-0719

17 Bolt the Slats (F) to the Side Rail (G).



18 Screw the Slats (F) to the Side Rail (G).

Finally fit the assembled Drawers.

