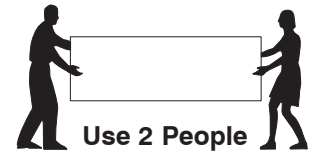
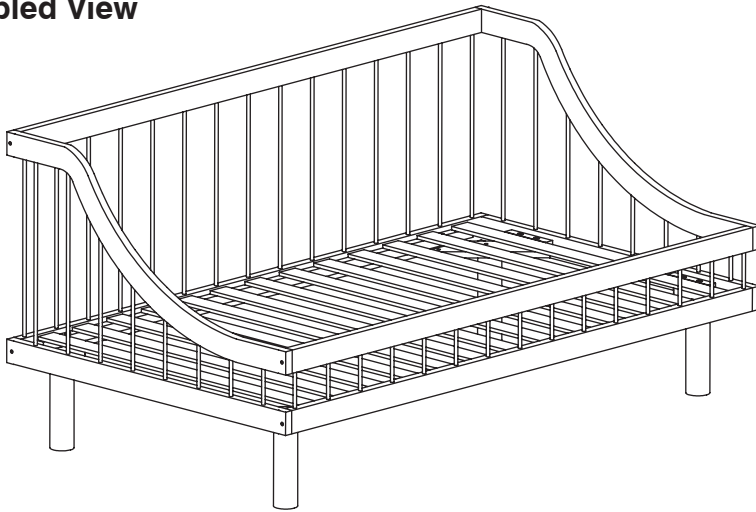


0223 Day Bed

Assembly Instructions

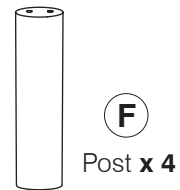
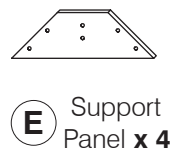
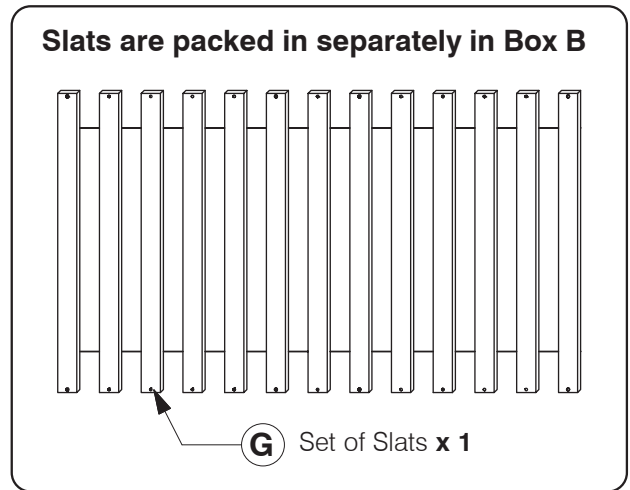
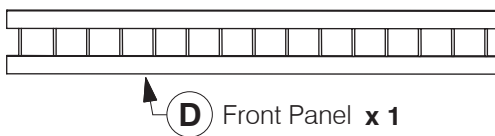
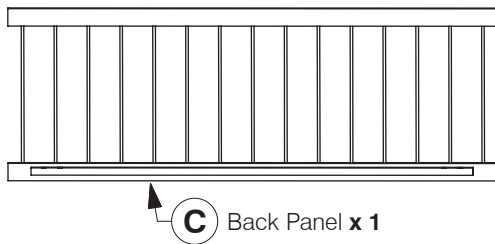
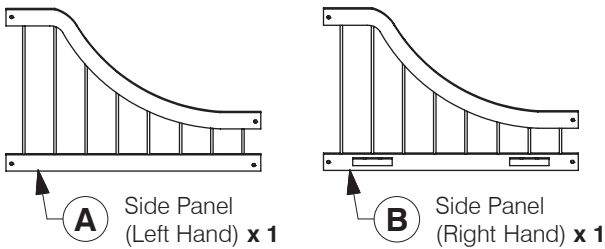
WI-0723

1 Assembled View



Note: Do not assemble using power tools. This can cause the bolts to be overtightened

2 Parts in this Box



3 Hardware in this Box



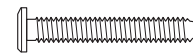
1 M6 x 70mm JCB
x 8



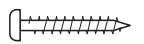
2 M6 x 40mm JCB
x 8



3 M6 x 50mm JCB
x 16



4 M8 x
50mm JCB
x 8



5 Wood Screw
(M4 x 32mm)
x 18



6 Spring
Washer
x 16



7 M6 Flat
Washer
x 16



8 Barrel Nut
x 8



9 M4 Allen Key
x 1



10 M5 Allen Key
x 1

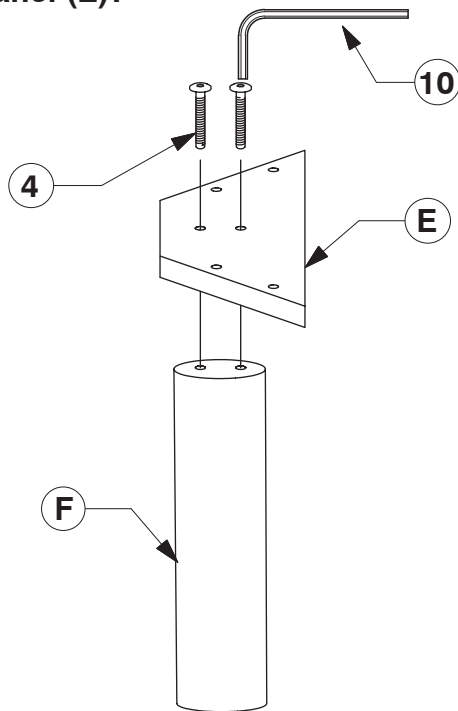
0223 Day Bed

Assembly Instructions

WI-0723

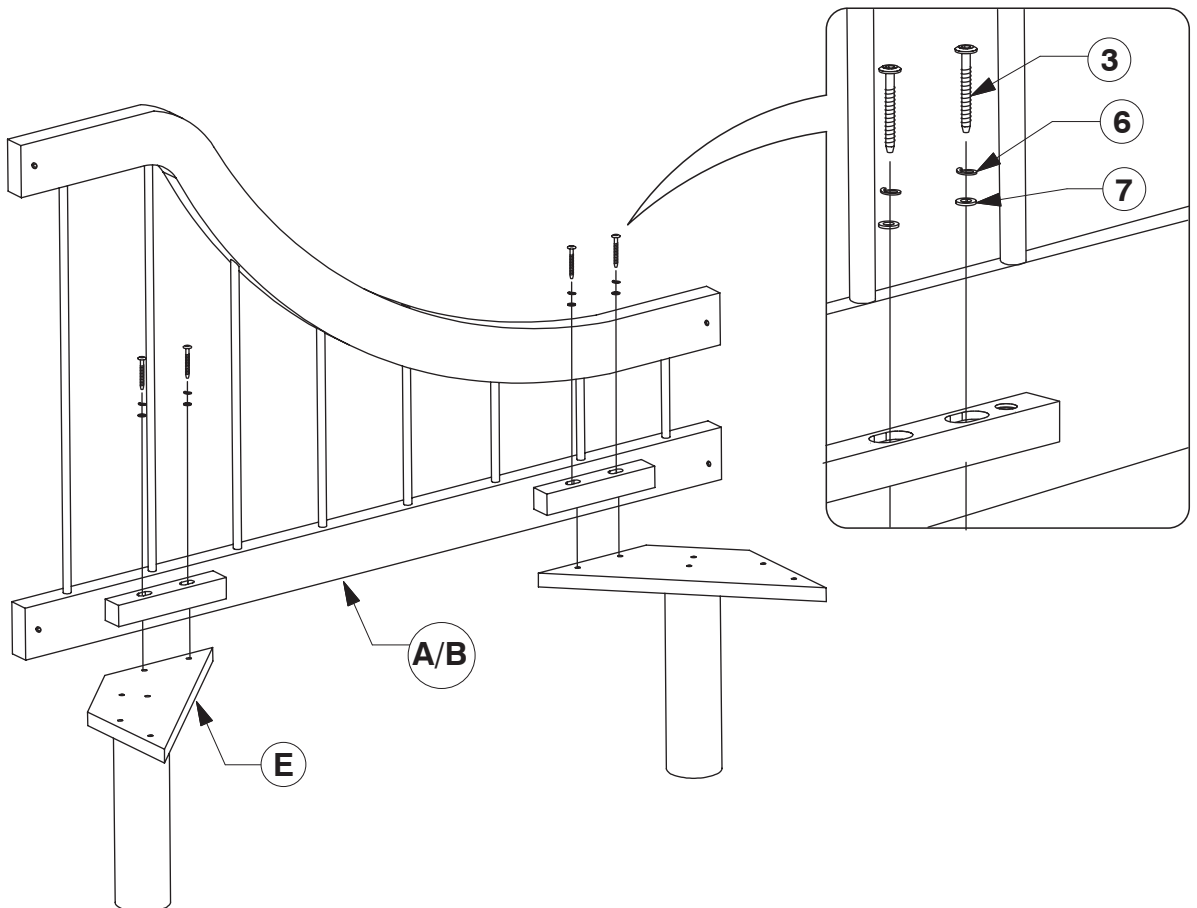
4 Fit the Post (F) to the Support Panel (E).

x4



5 Assemble the Side Panel (A & B) to the Support Panel (E).

x2

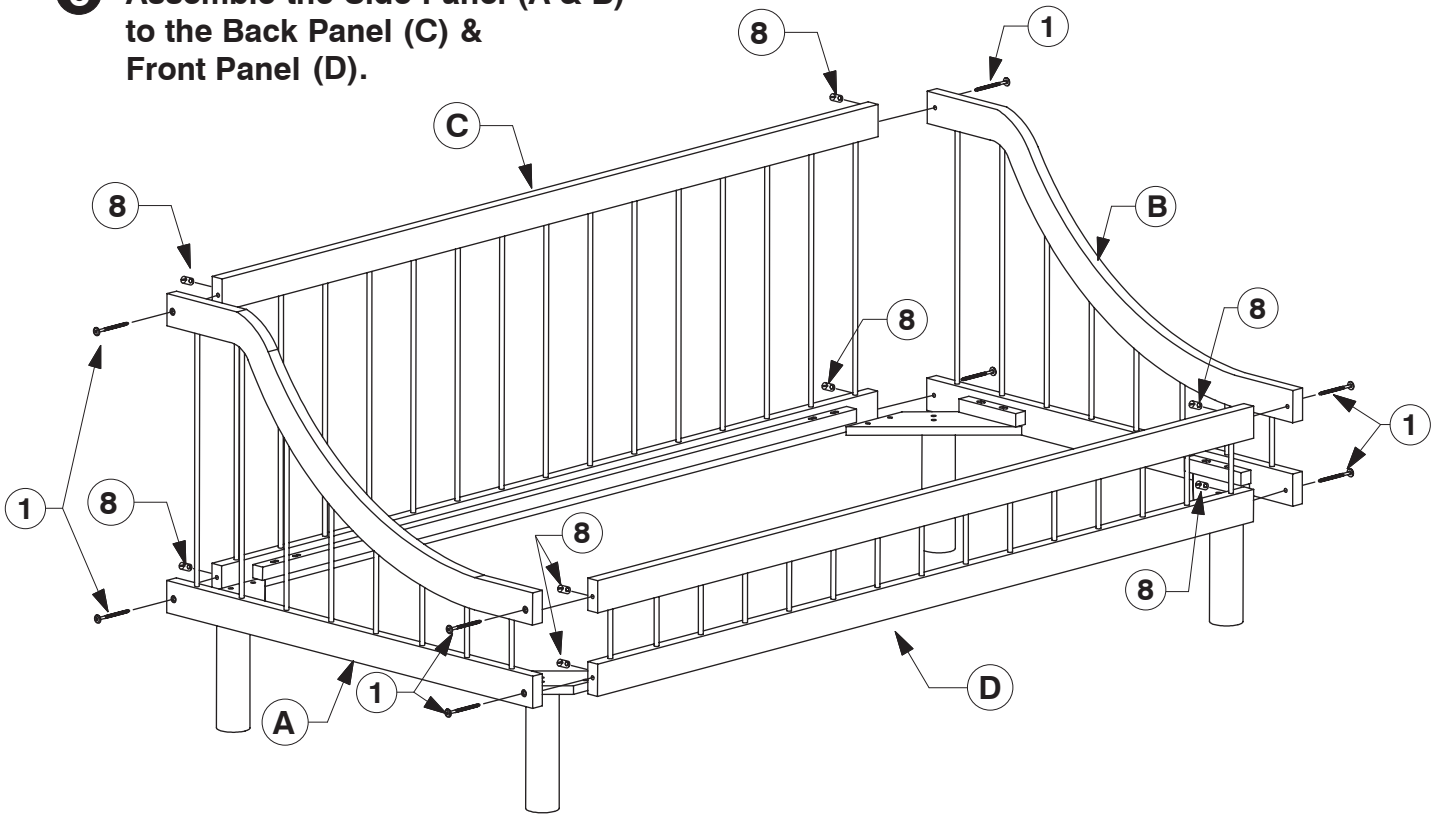


0223 Day Bed

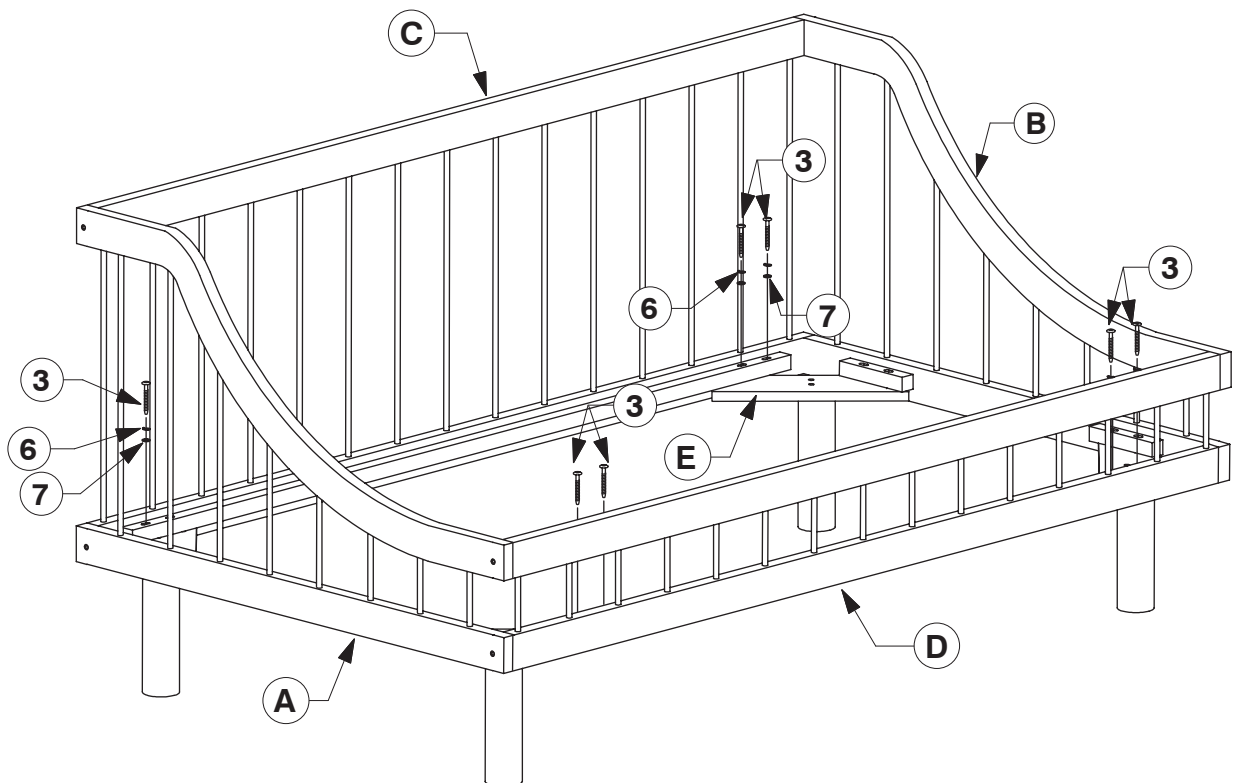
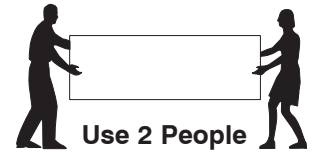
Assembly Instructions

WI-0723

- 6** Assemble the Side Panel (A & B) to the Back Panel (C) & Front Panel (D).



- 7** Bolt the Support Panel (E) to Back Panel (C) & Front Panel (D).

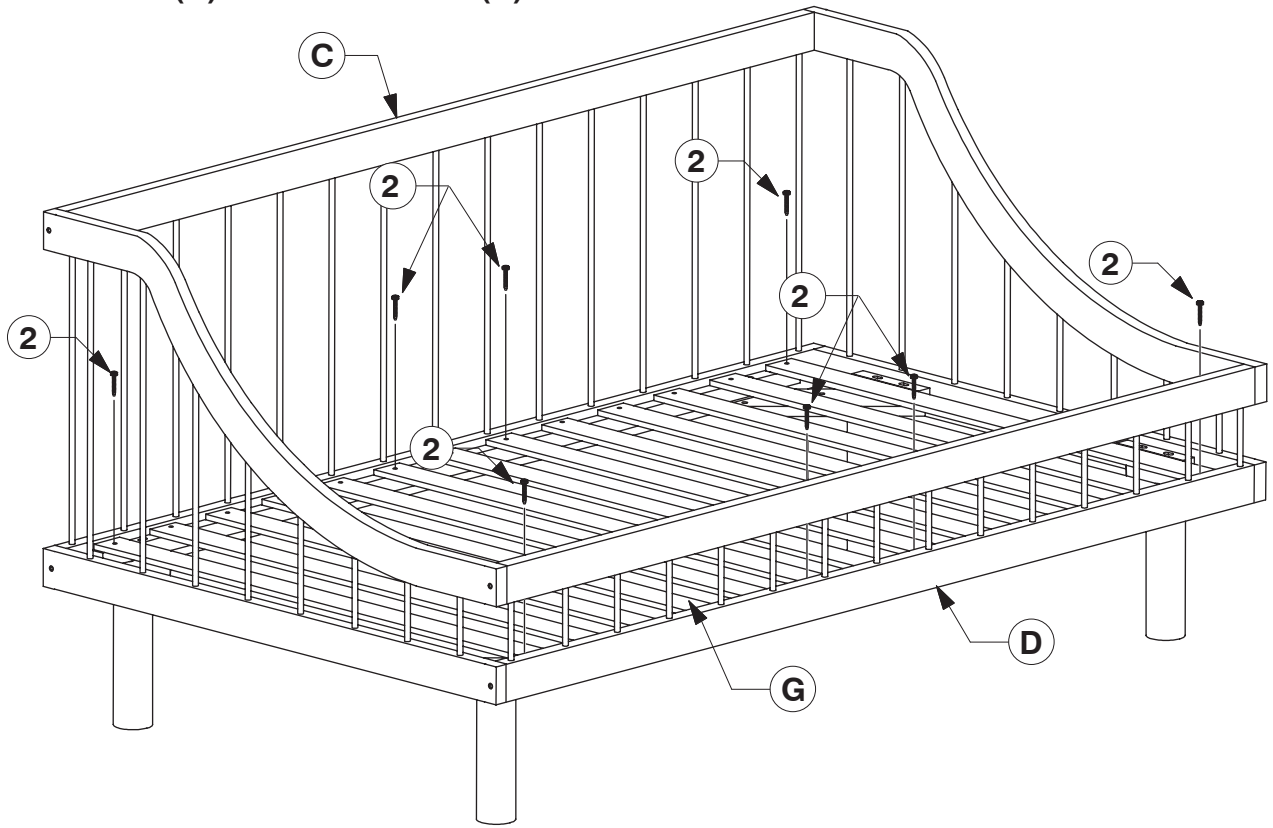


0023 Day Bed

Assembly Instructions

WI-0723

- 8** Bolt the Set of Slats (G) between the Back Panel (C) and Front Panel (D).



- 9** Screw the Set of Slats (G) between the Back Panel (C) and Front Panel (D).

