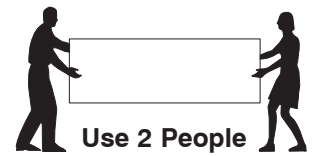
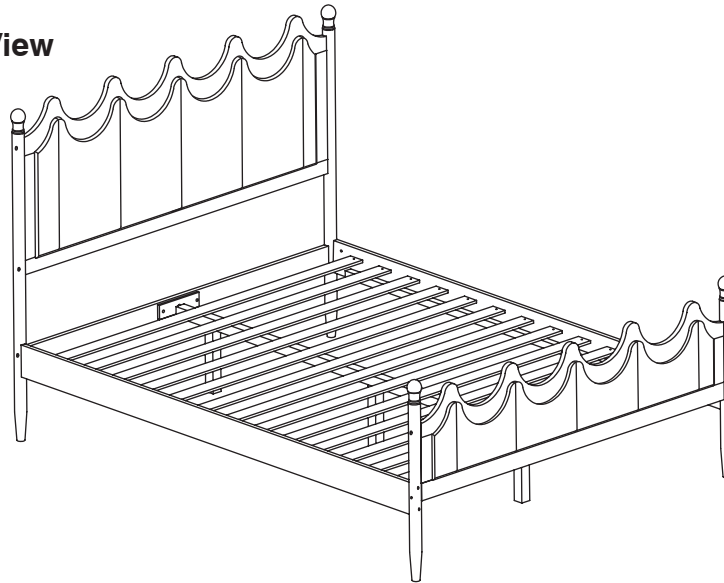


0209 Queen Bed

Assembly Instructions

WI-0123

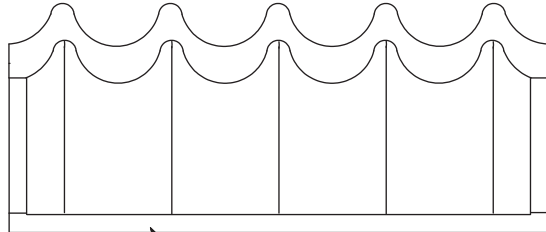
1 Assembled View



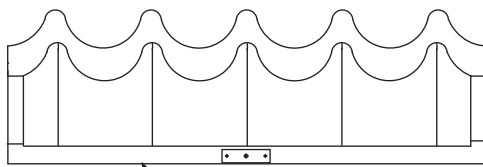
Note: Do not assemble using power tools. This can cause the bolts to be overtightened

2 Parts List

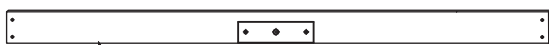
Parts in Box A:



A Headboard x 1



B Footboard x 1



C Headboard Panel x 1

D Headboard Post (Left) x 1

E Headboard Post (Right) x 1

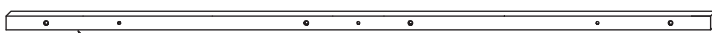
F Footboard Post (Left) x 1

G Footboard Post (Right) x 1

Parts in Box B:



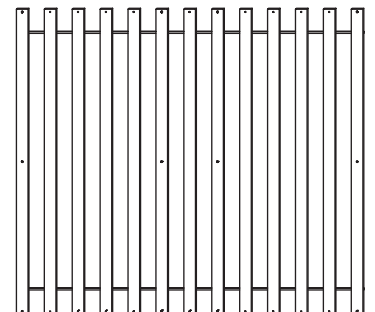
H Side Rail x 2



J Long Support x 1



K Support Leg x 3



L Set of Bed Slats x 1

0209 Queen Bed

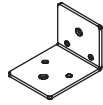
Assembly Instructions

WI-0123

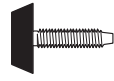
3 Hardware List



1 M4 Allen Key
x 1



2 Center Rail
Bracket x 2



3 Adjustable
Foot x 3



4 Wood Screw
(M4 x 32mm) x 18



5 Wood Dowel
(10 x 40mm) x 14



6 Barrel Nut
x 21



7 M6 x 15mm
JCB x 4

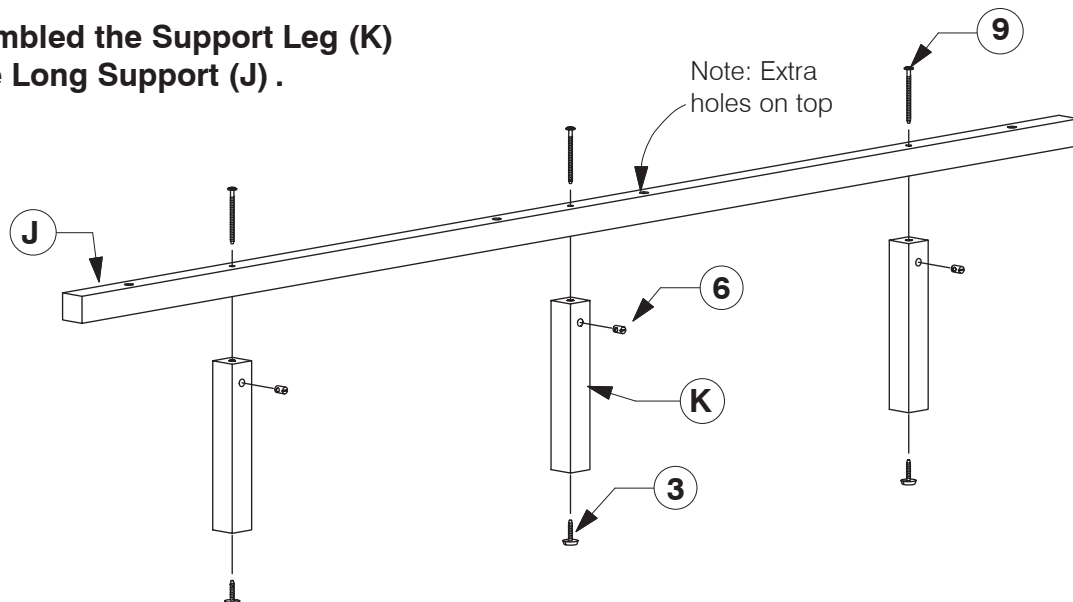


8 M6 x 40mm
JCB x 12

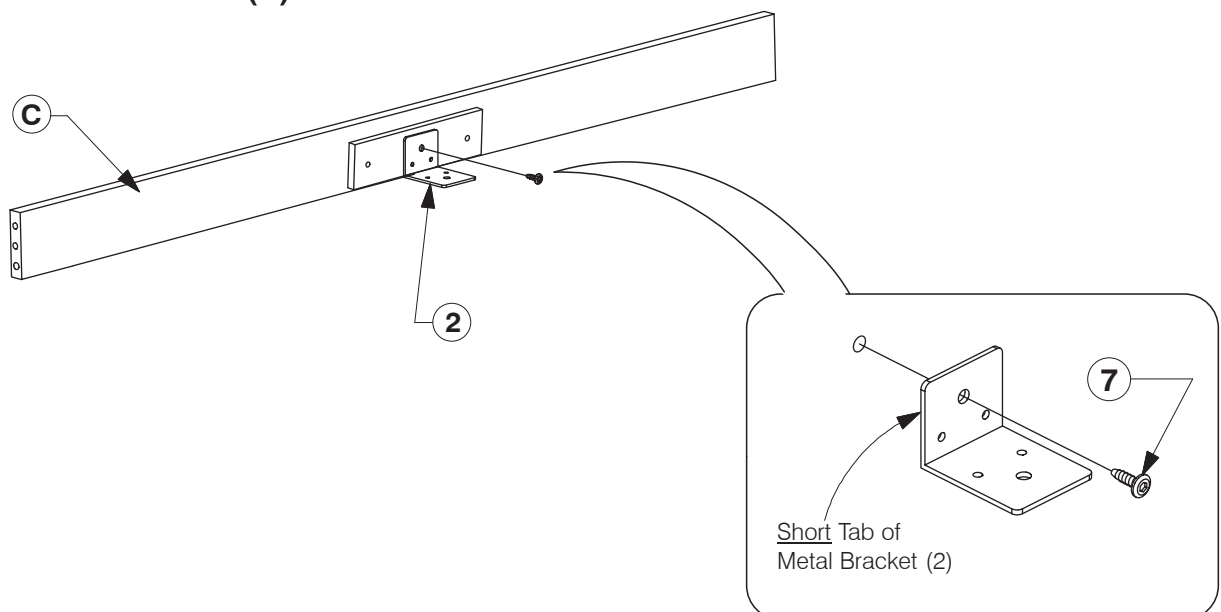


9 M6 x 90mm JCB
x 21

4 Assembled the Support Leg (K) to the Long Support (J).



5 Fit the Center Rail Bracket (2) to the Headboard Panel (C).

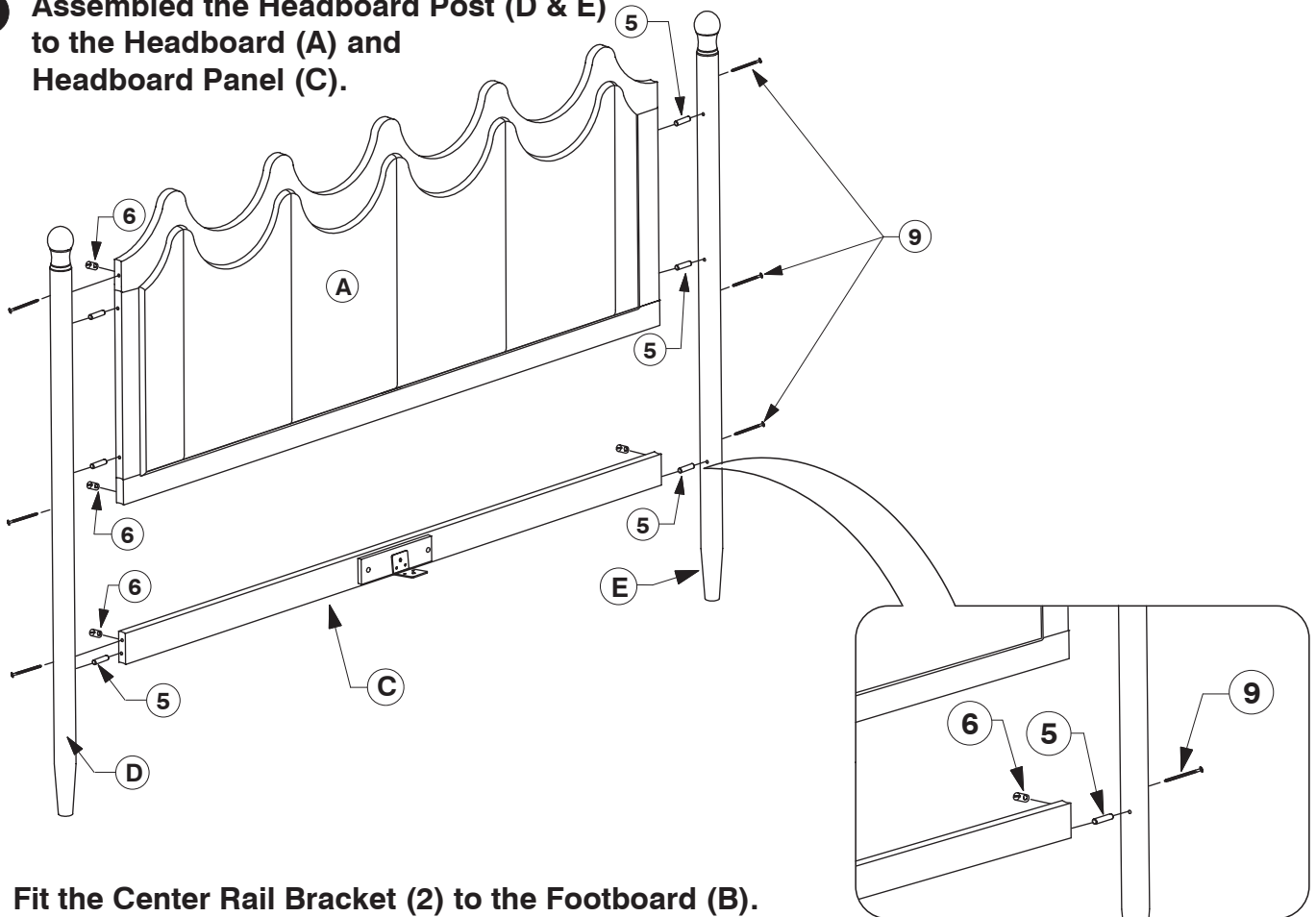


0209 Queen Bed

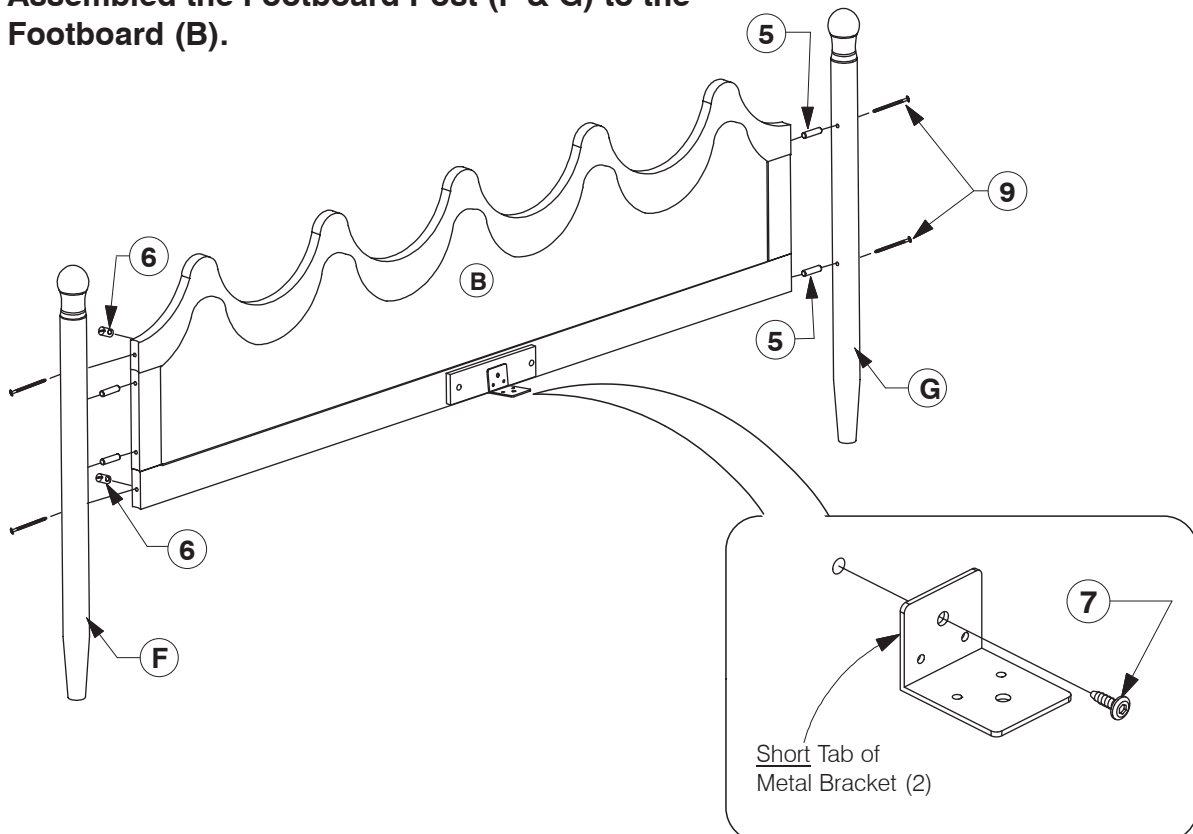
Assembly Instructions

WI-0123

- 6** Assembled the Headboard Post (D & E) to the Headboard (A) and Headboard Panel (C).



- 7** Fit the Center Rail Bracket (2) to the Footboard (B). Assembled the Footboard Post (F & G) to the Footboard (B).

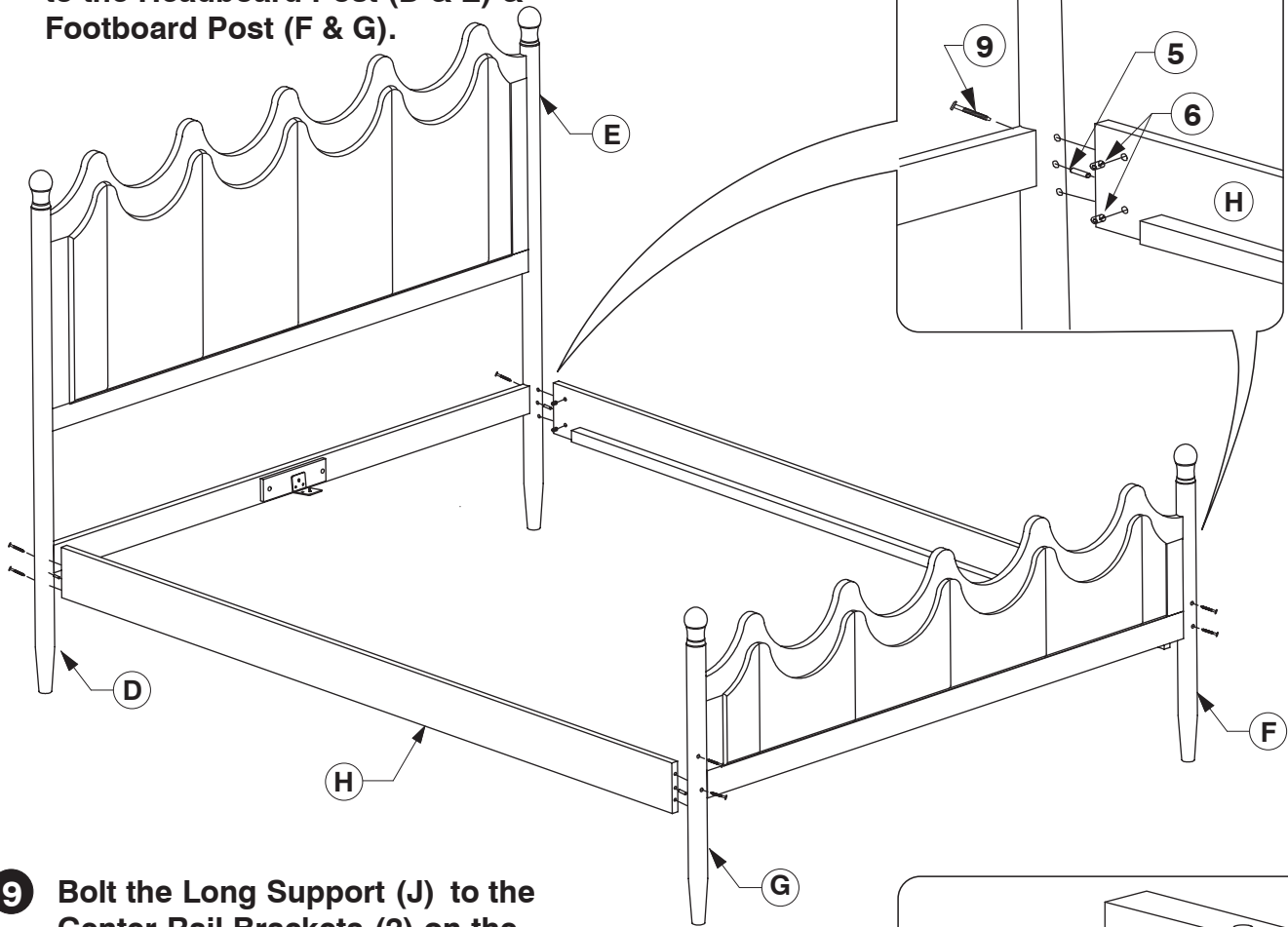


0209 Queen Bed

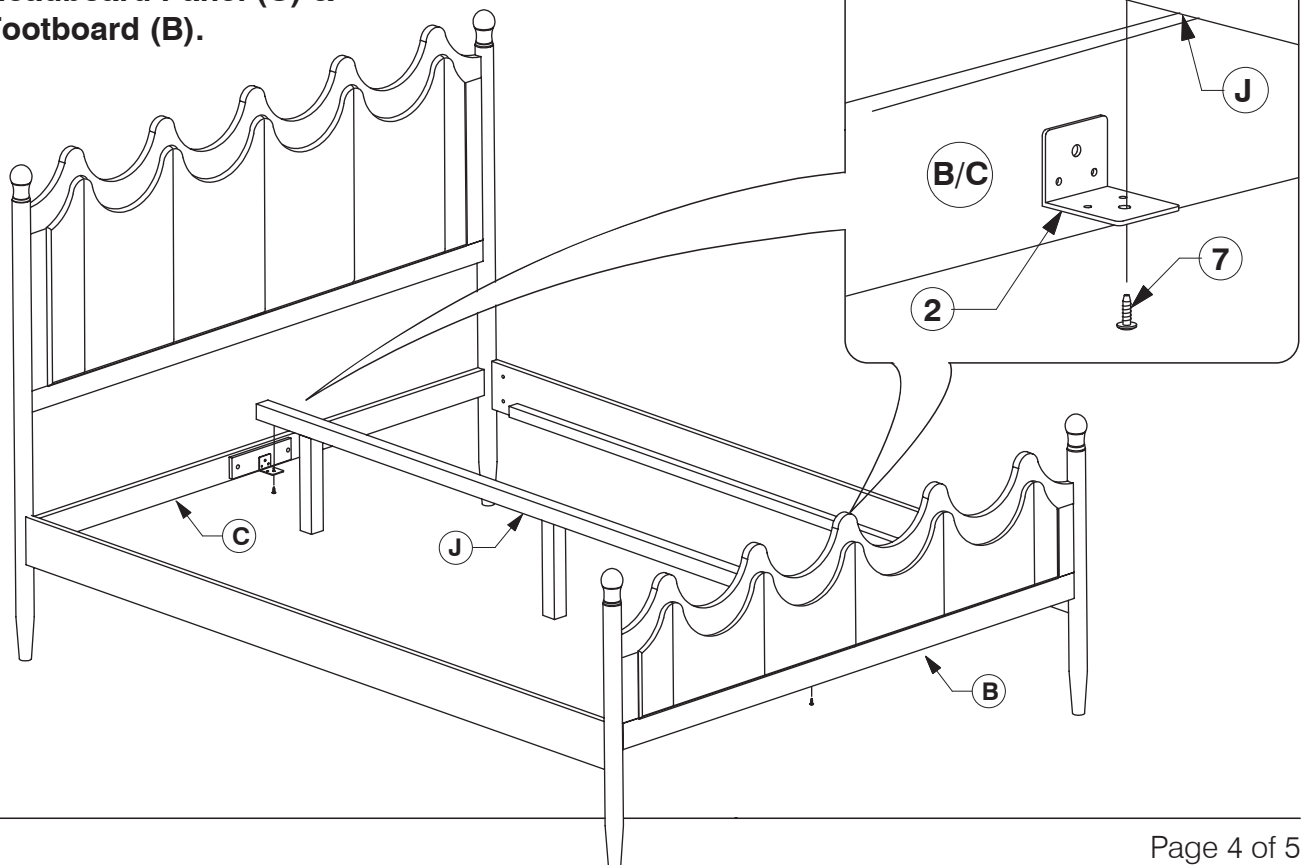
Assembly Instructions

WI-0123

- 8 Assemble the Side Rail (H) to the Headboard Post (D & E) & Footboard Post (F & G).**



- 9 Bolt the Long Support (J) to the Center Rail Brackets (2) on the Headboard Panel (C) & Footboard (B).**



0209 Queen Bed

Assembly Instructions

WI-0123

10 Bolt & screw the Bed Slats (L) to the Side Rail (H).

