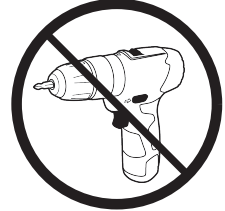
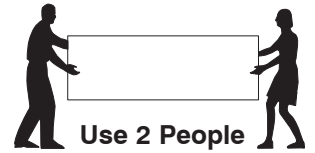
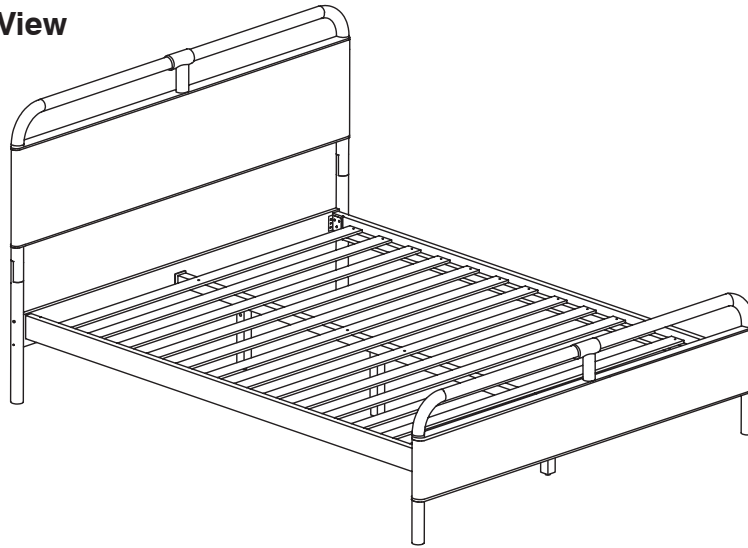


0110 Queen Bed

Assembly Instructions

WI-0623

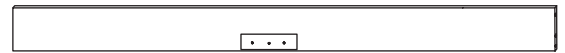
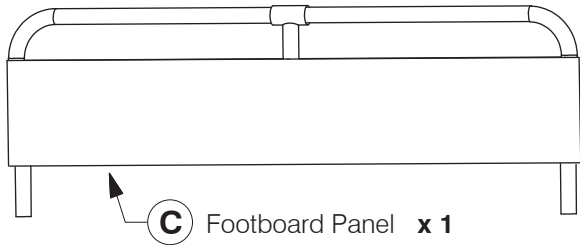
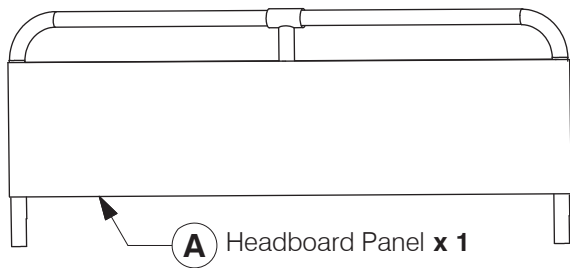
1 Assembled View



Note: Do not assemble using power tools. This can cause the bolts to be overtightened.

2 Parts List

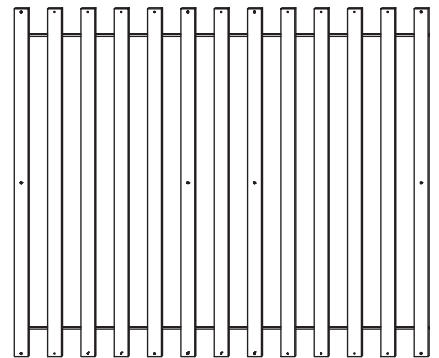
Parts in Box A:



B Headboard Support x 1

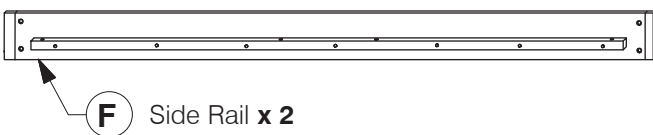


D Headboard Post x 2



E Set of Bed Slats x 1

Parts in Box B:



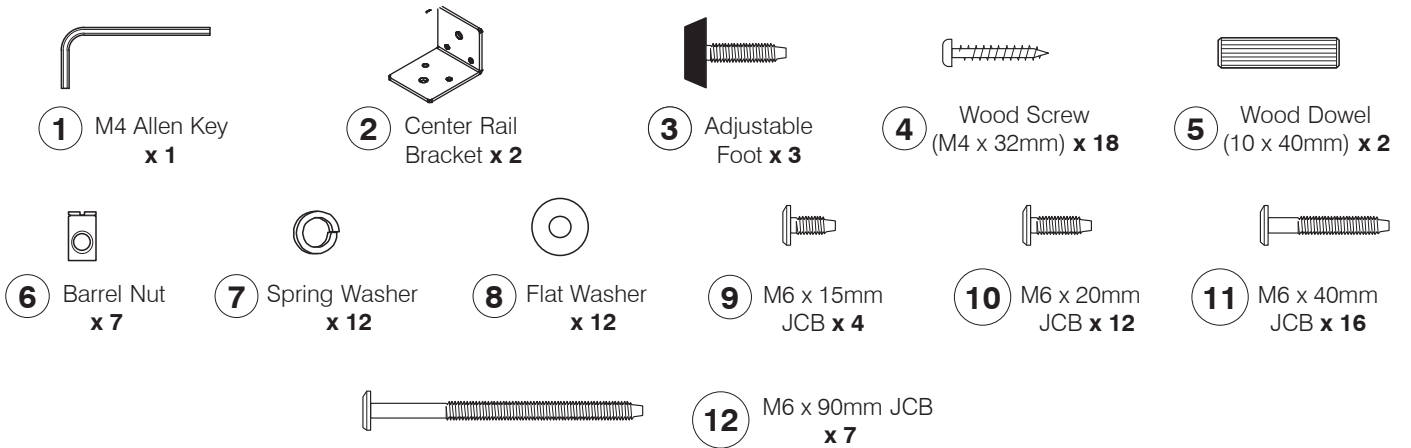
H Support Leg x 3

0110 Queen Bed

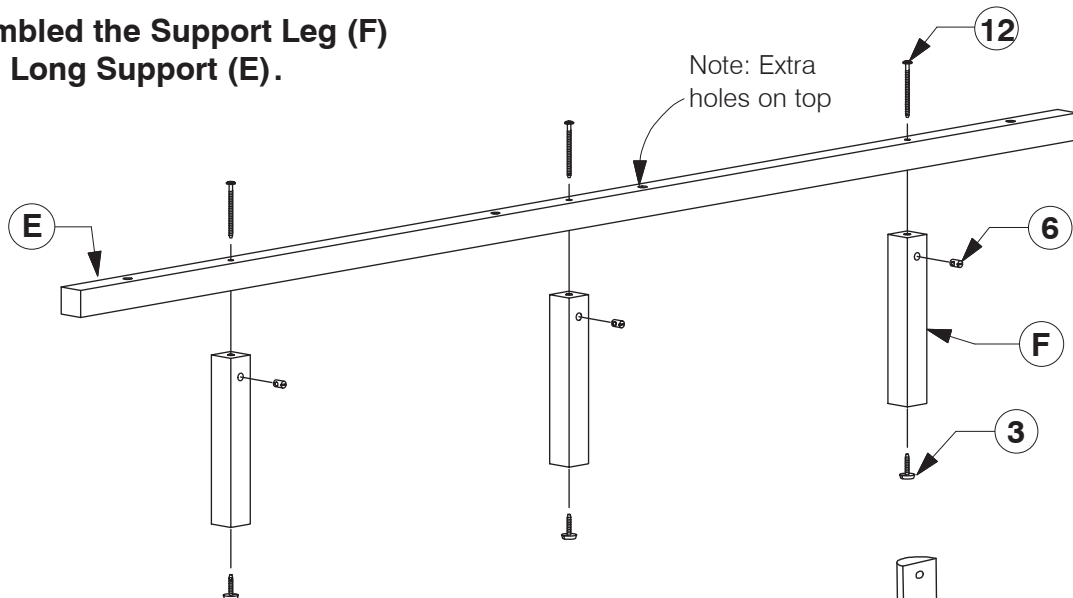
Assembly Instructions

WI-0623

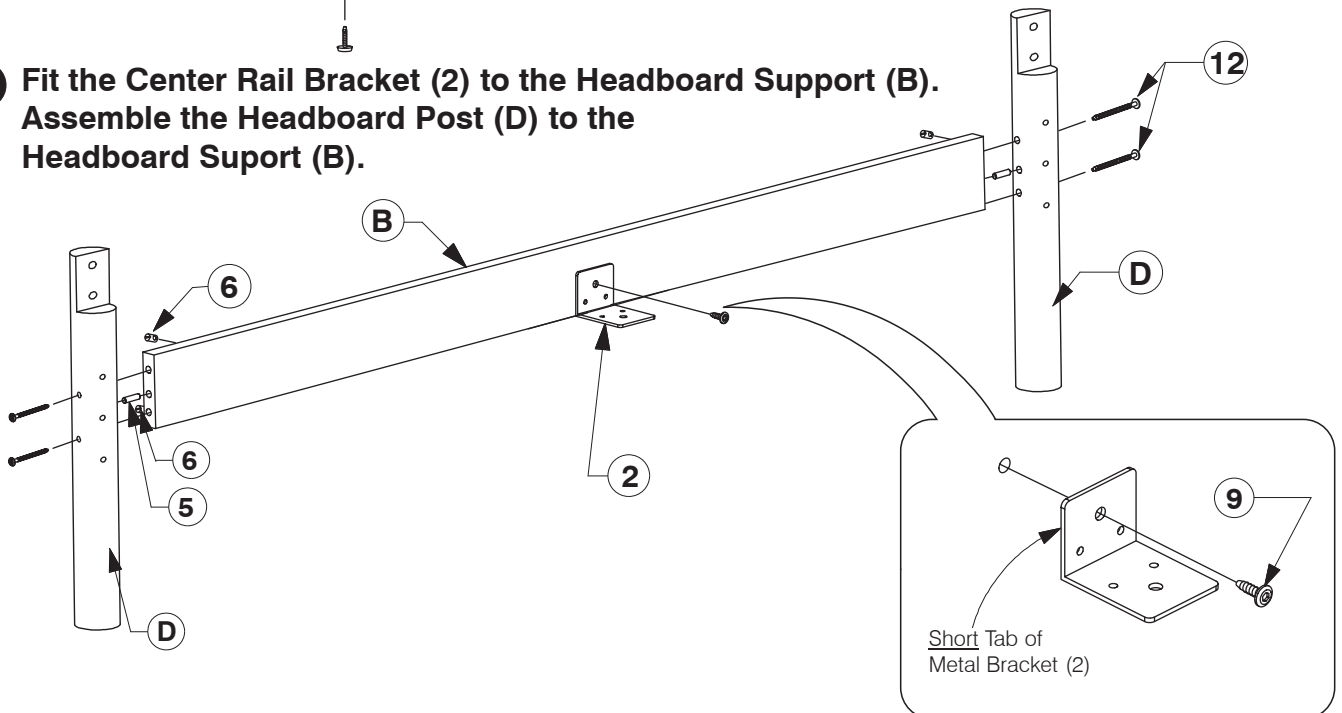
3 Hardware List



4 Assembled the Support Leg (F) to the Long Support (E).



5 Fit the Center Rail Bracket (2) to the Headboard Support (B). Assemble the Headboard Post (D) to the Headboard Support (B).

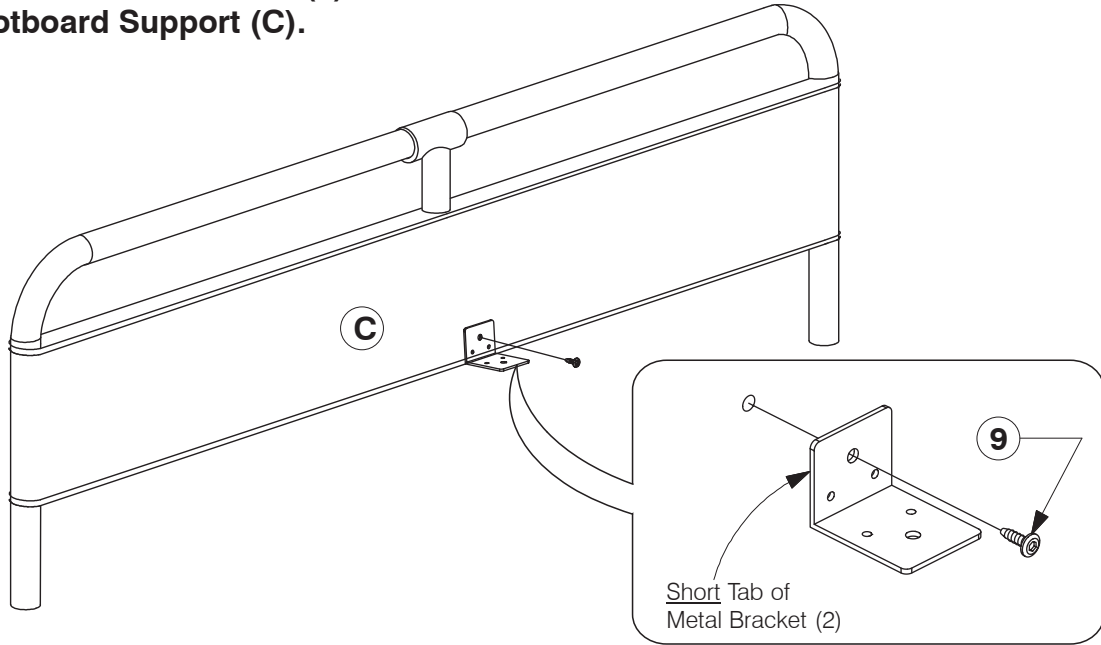


0110 Queen Bed

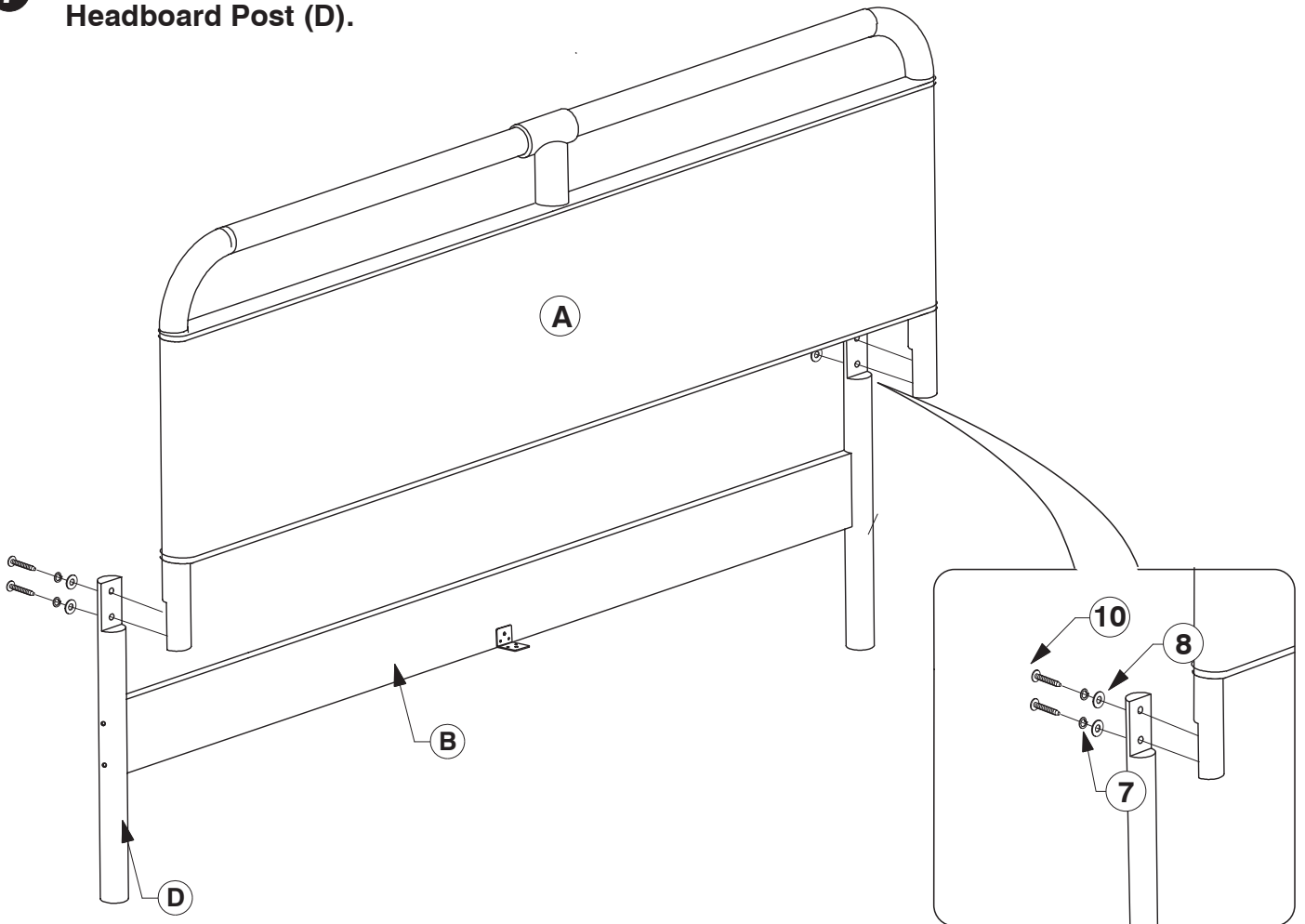
Assembly Instructions

WI-0623

- 6** Fit the Center Rail Bracket (2) to the Footboard Support (C).



- 7** Fit the Headboard Panel (A) to the Headboard Post (D).

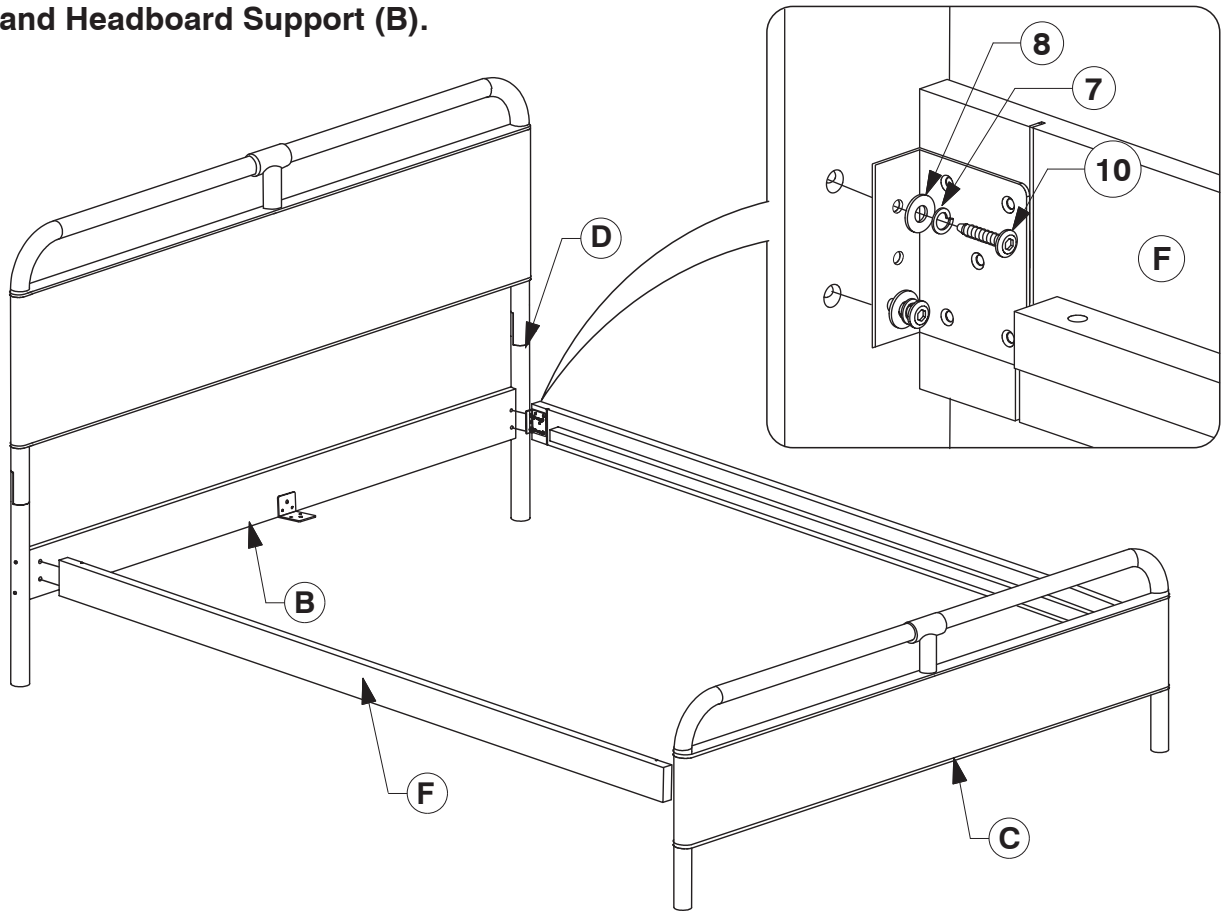


0110 Queen Bed

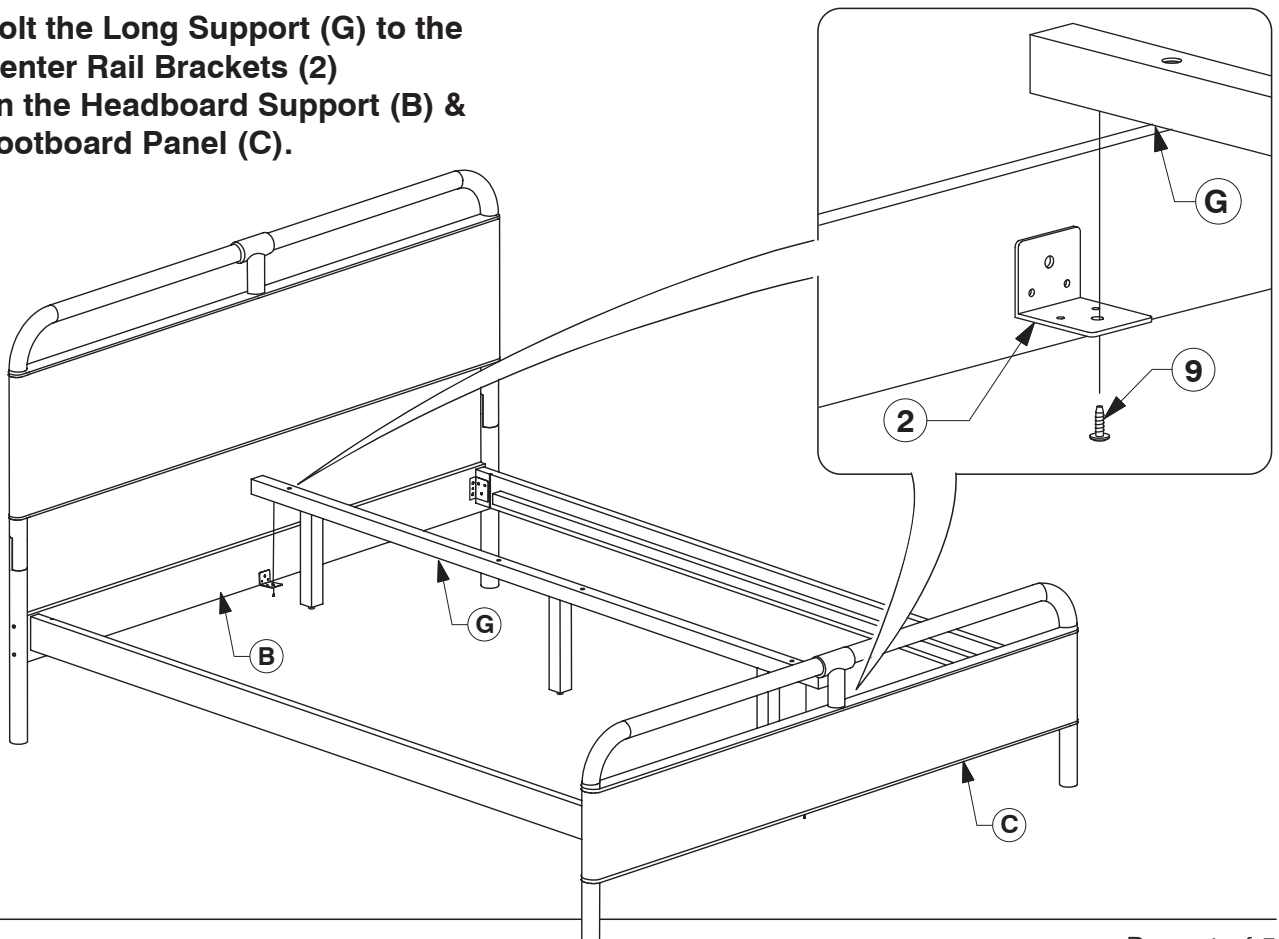
Assembly Instructions

WI-0623

- 8** Assemble the Side Rail (F) to the Footboard Panel (C) and Headboard Support (B).



- 9** Bolt the Long Support (G) to the Center Rail Brackets (2) on the Headboard Support (B) & Footboard Panel (C).



0110 Queen Bed

Assembly Instructions

WI-0623

10 Bolt & screw the Bed Slats (E) to the Side Rail (F).

