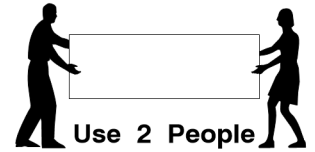
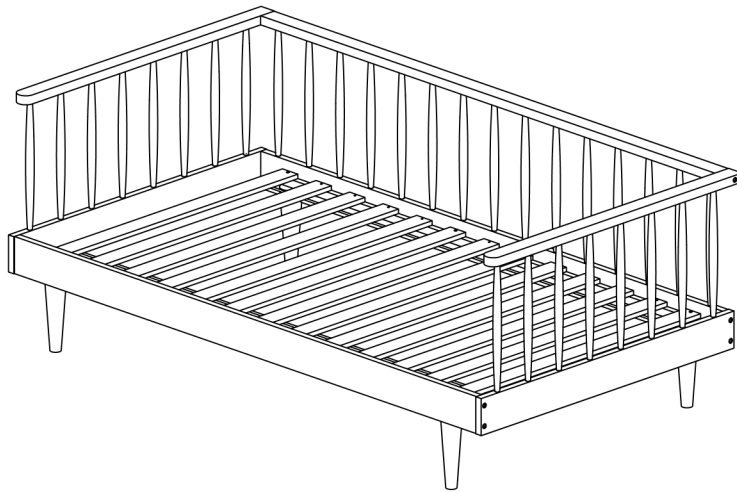


0091 Daybed

Assembly Instructions

WI-0622

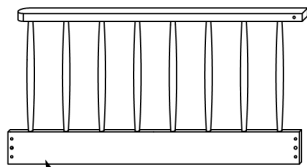
1 Assembled View



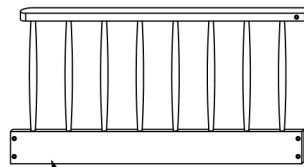
Note: Do not assemble using power tools. This can cause the bolts to be overtightened

2 Parts List

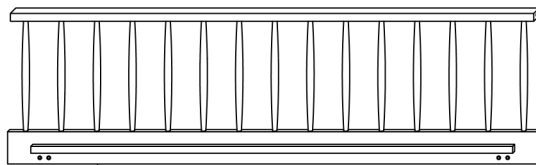
Parts in Box A:



A Headboard Panel (Left Hand) x 1



B Headboard Panel (Right Hand) x 1



C Back Panel x 1

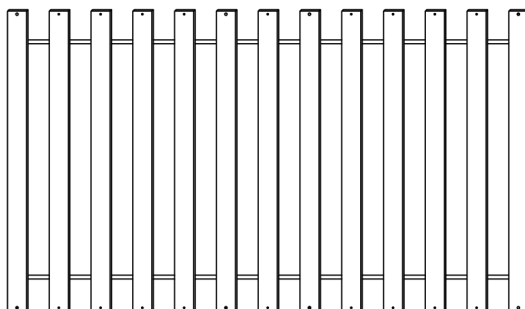


D Side Rail x 1



E Bed Post x 4

Parts in Box B:



F Set of Bed Slats x 1

0091 Daybed

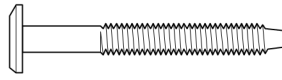
Assembly Instructions

WI-0622

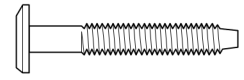
3 Hardware List



1 M6 x 70mm JCB
x 10



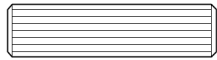
2 M6 x 50mm JCB
x 8



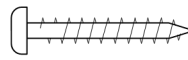
3 M6 x 40mm JCB
x 8



4 Barrel Nut
x 8



5 Wood Dowel
(10 x 40mm) x 4

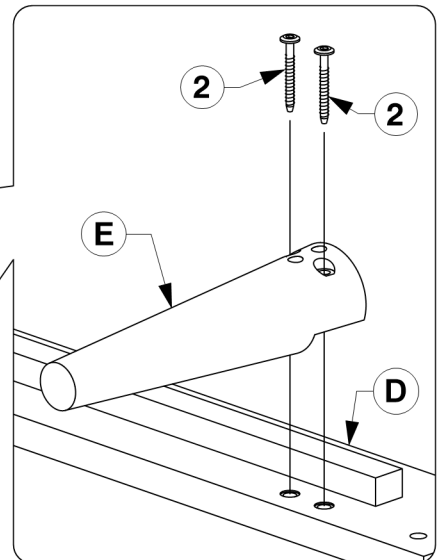
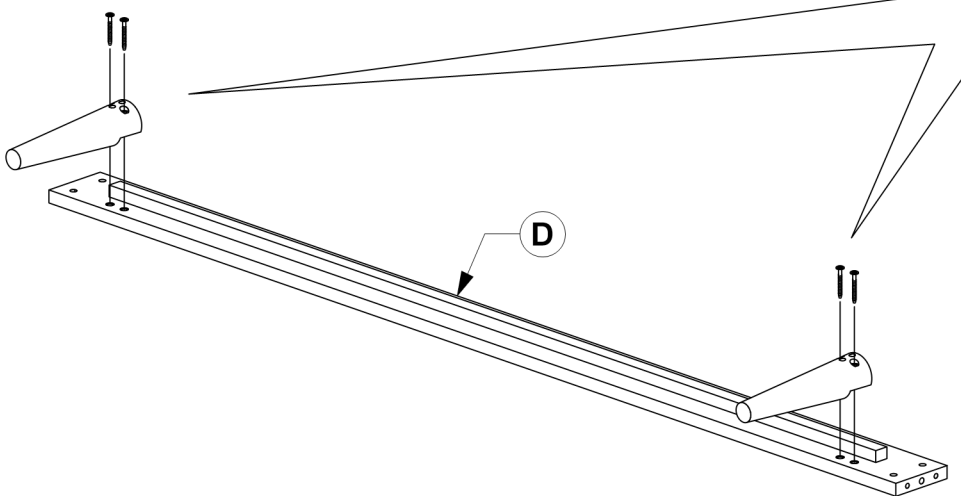


6 Wood Screw
(M4 x 32mm) x 26

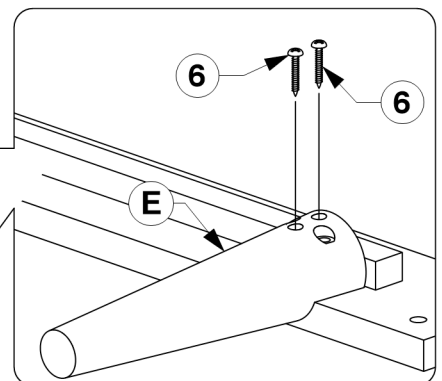
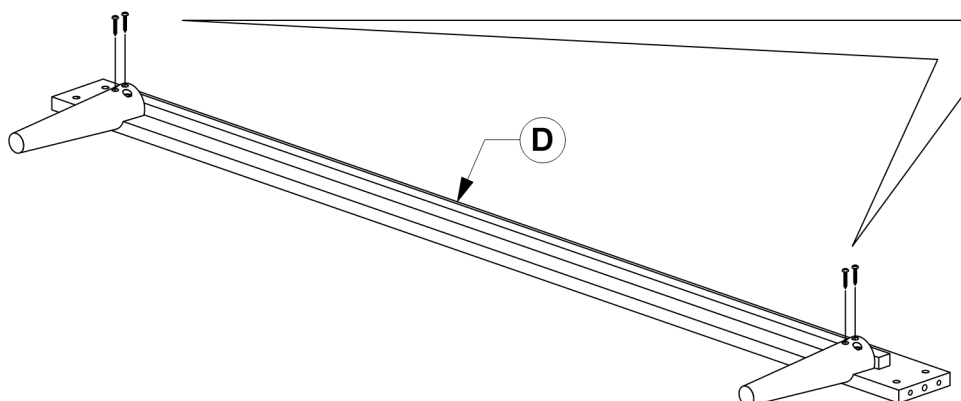


7 M4 Allen Key
x 1

4 Bolt the Post (E) to the Side Rail (D).



5 Screw the Post (E) to the Side Rail (D).

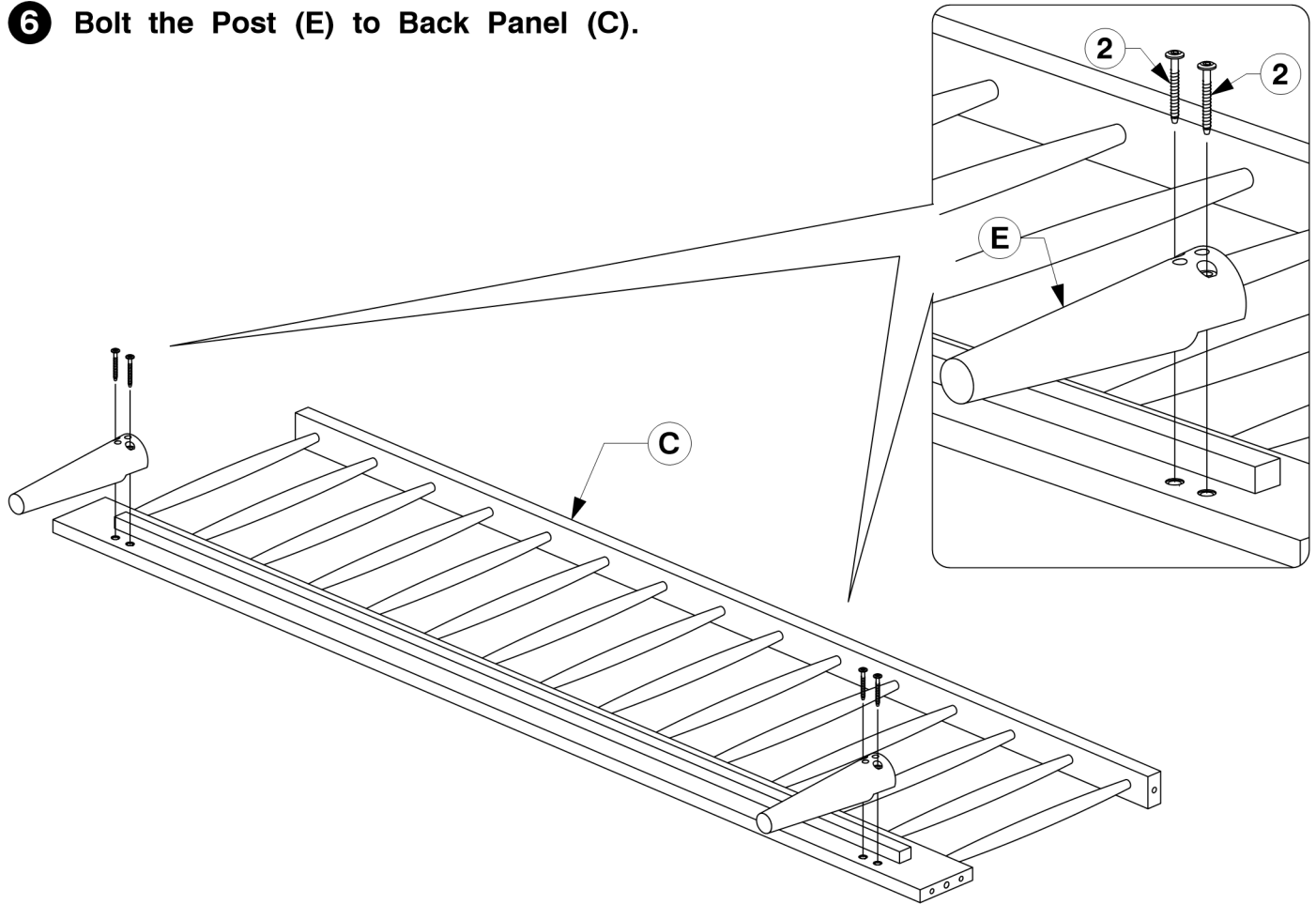


0091 Daybed

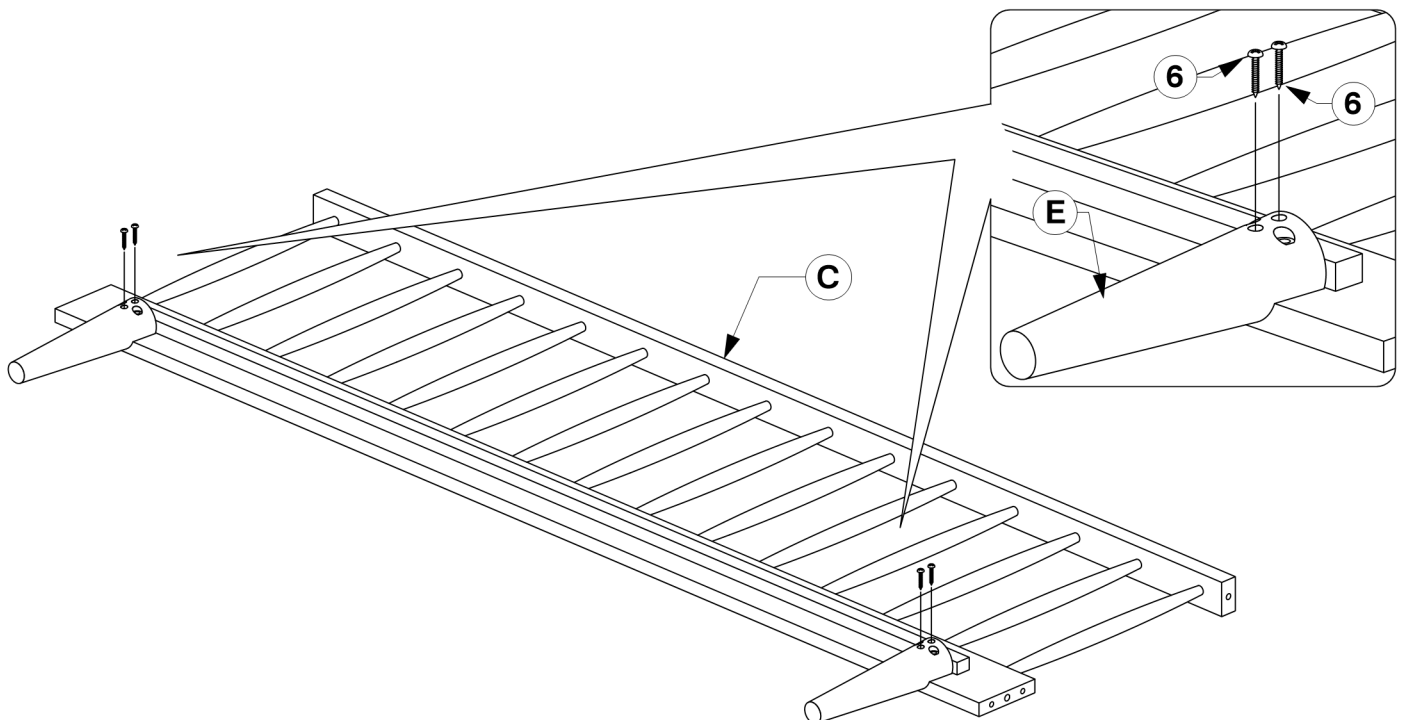
Assembly Instructions

WI-0622

6 Bolt the Post (E) to Back Panel (C).



7 Screw the Post (E) to the Back Panel (C).

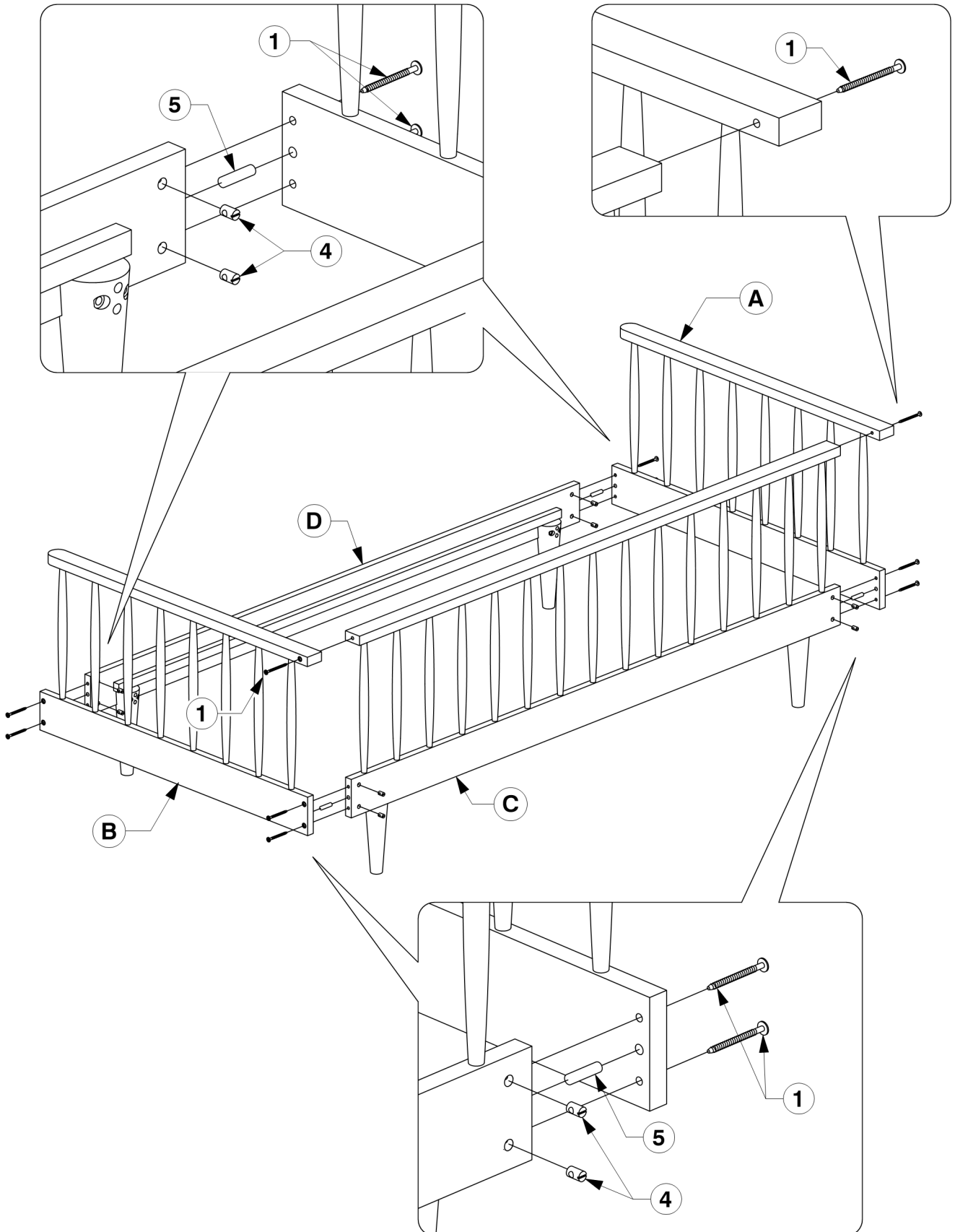


0091 Daybed

Assembly Instructions

WI-0622

- 8** Assembled the Headboard Panel (A & B) to the Side Rail (D) & Back Panel (C).

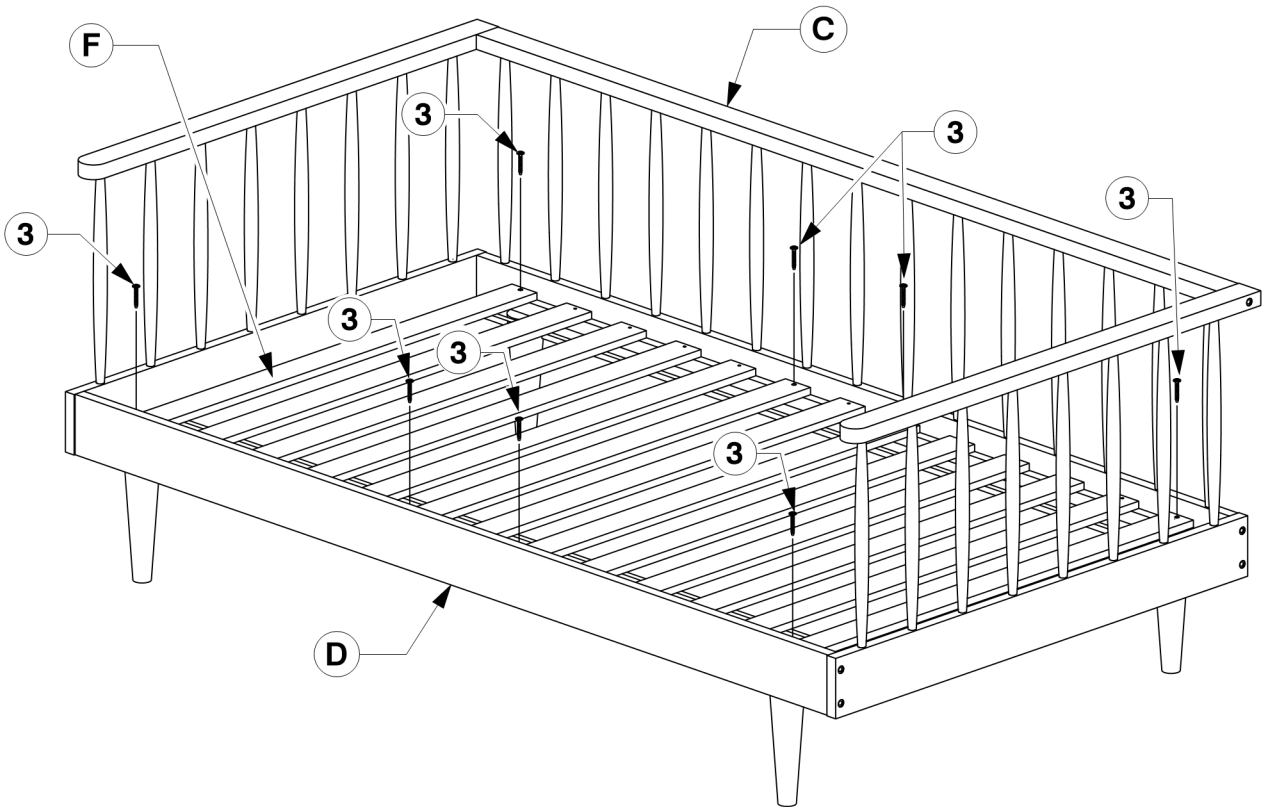


0091 Daybed

Assembly Instructions

WI-0622

9 Bolts the Slats (F) to the Side Rail (D) & Back Panel (C).



10 Screws the Slats (F) to the Side Rail (D) & Back Panel (C).

