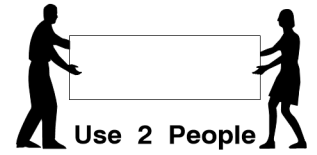
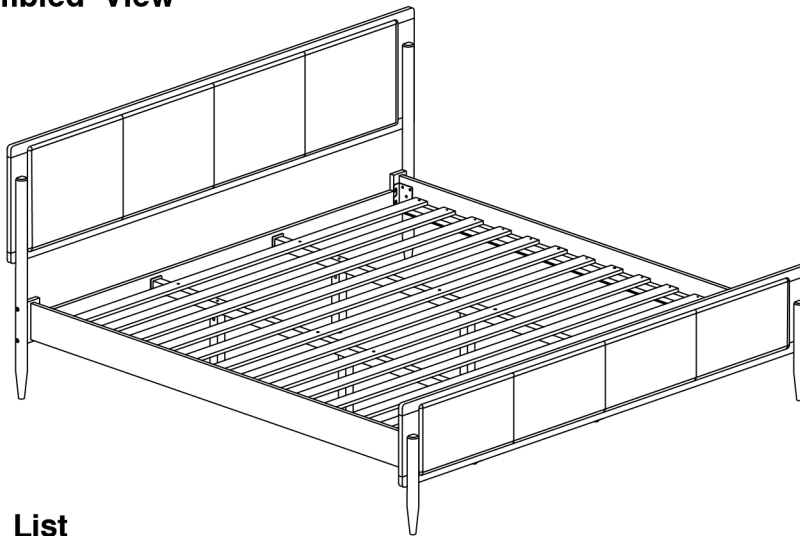


# 0089-1 King Bed

Assembly Instructions

WI-0622

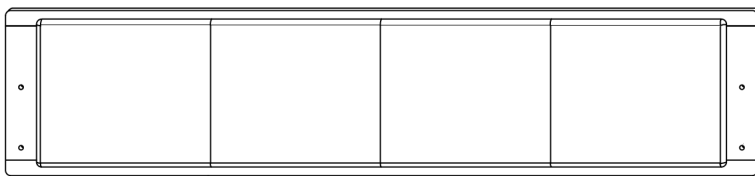
## 1 Assembled View



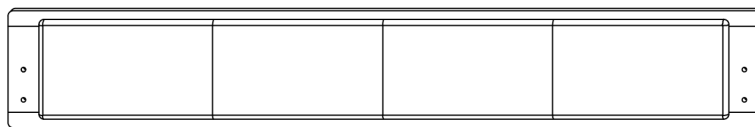
**Note:** Do not assemble using power tools. This can cause the bolts to be overtightened

## 2 Parts List

Parts in Box A:



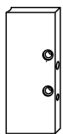
**A** Headboard x 1



**B** Footboard x 1



**C** Headboard Support x 1



**D** Support Bar (Left Hand) x 1



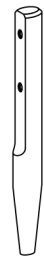
**E** Support Bar (Right Hand) x 1



**F** Headboard Post (Left hand) x 1

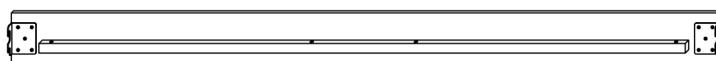


**G** Headboard Post (Right hand) x 1

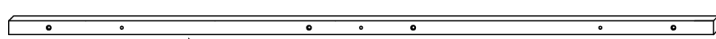


**H** Footboard Post x 2

Parts in Box B:



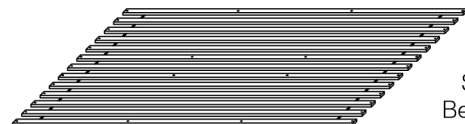
**J** Side Rail x 2



**K** Long Support x 2



**L** Support Leg x 6



**M** Set of Bed Slats x 1

# 0089-1 King Bed

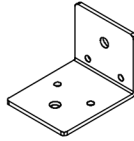
## Assembly Instructions

WI-0622

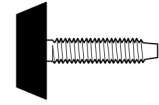
### 3 Hardware List



1 M4 Allen Key  
x 1



2 Center Rail  
Bracket x 4



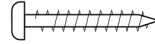
3 Adjustable  
Foot x 6



4 Wood Dowel  
(M10 x 40mm) x 4



5 Barrel  
Nut x 12



6 Wood Screw  
(M4 x 32mm) x 18



7 Spring  
Washer x 8



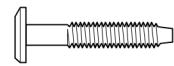
8 Flat Washer  
x 8



9 M6 x 15mm JCB  
x 8



10 M6 x 20mm JCB  
x 8



11 M6 x 35mm JCB  
x 8



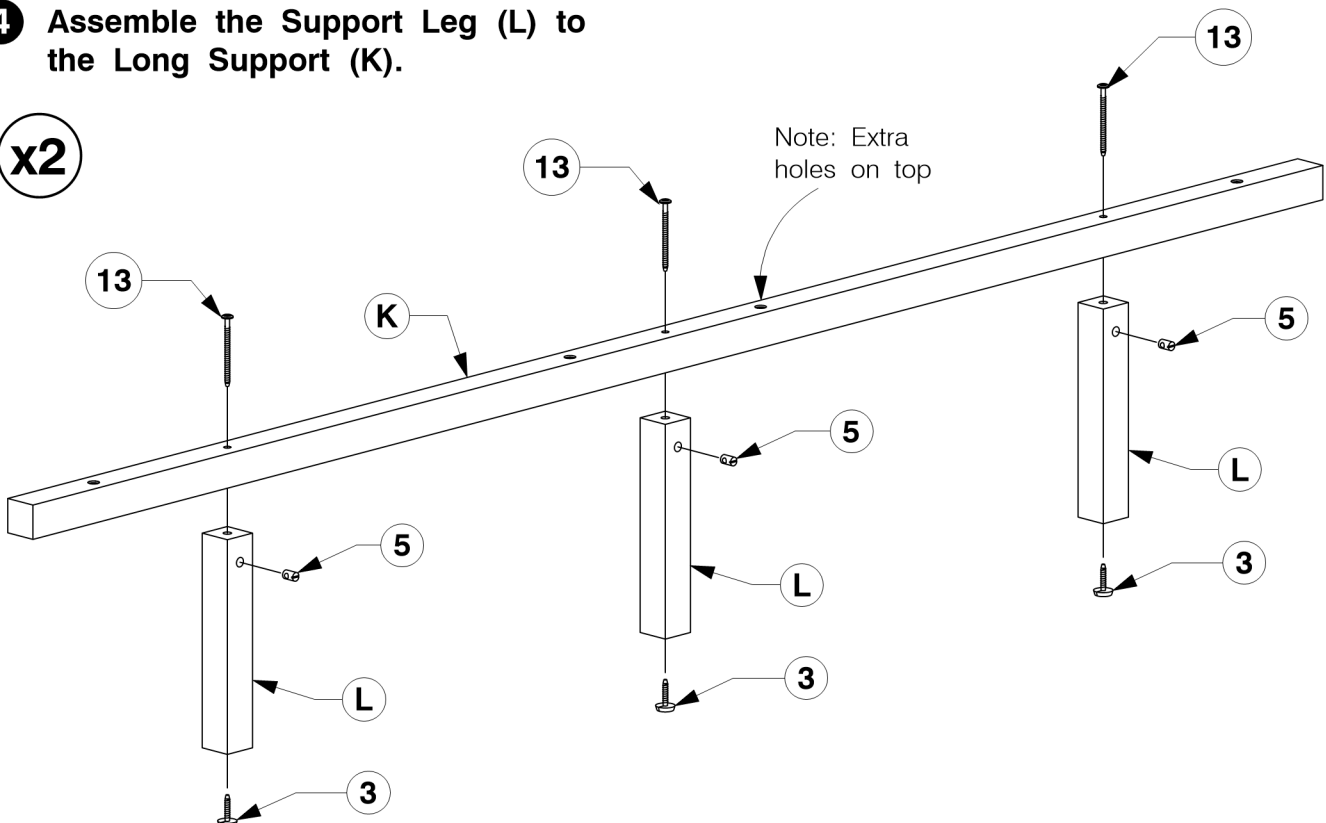
12 M6 x 40mm JCB  
x 16



13 M6 x 90mm JCB  
x 12

### 4 Assemble the Support Leg (L) to the Long Support (K).

x2

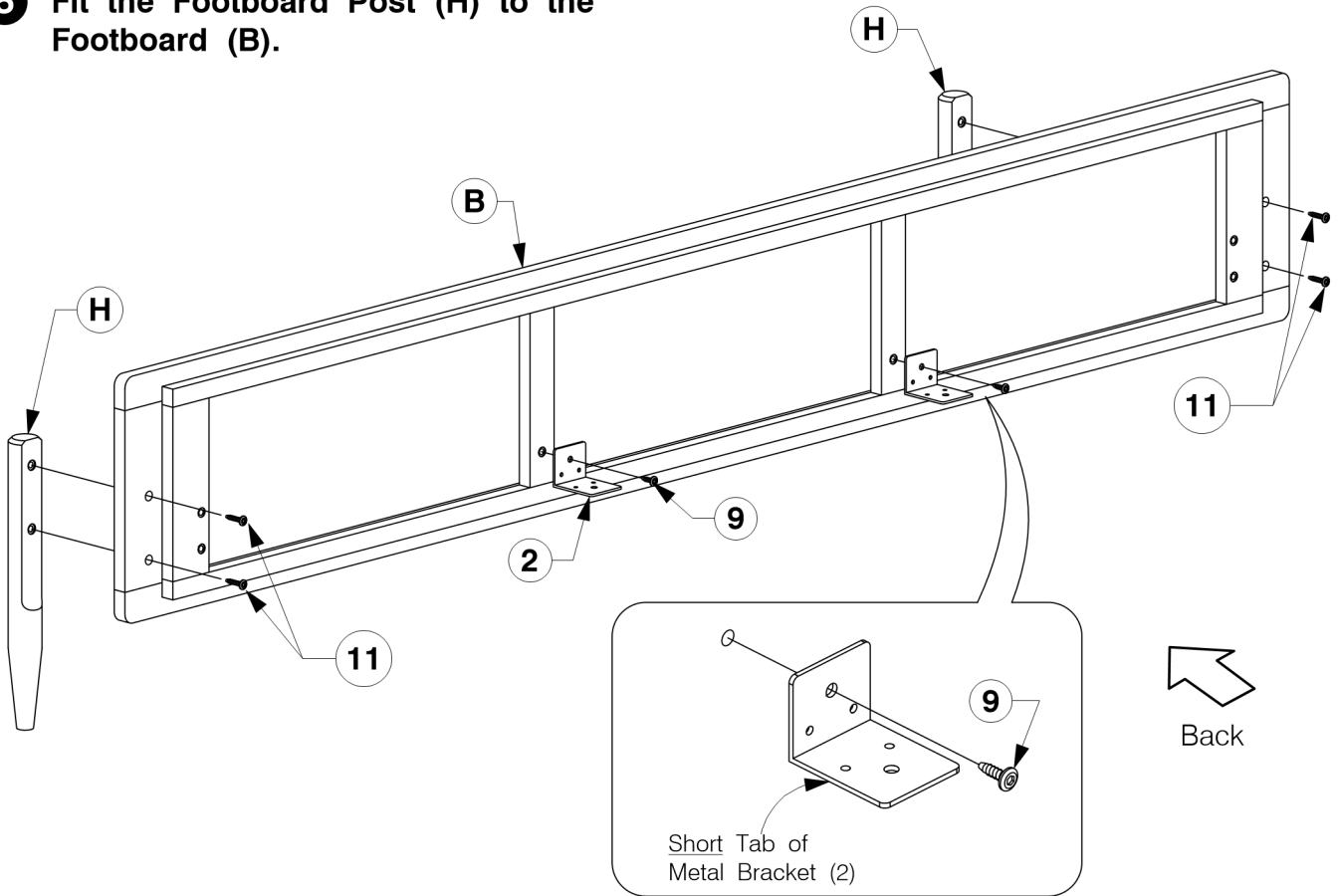


# 0089-1 King Bed

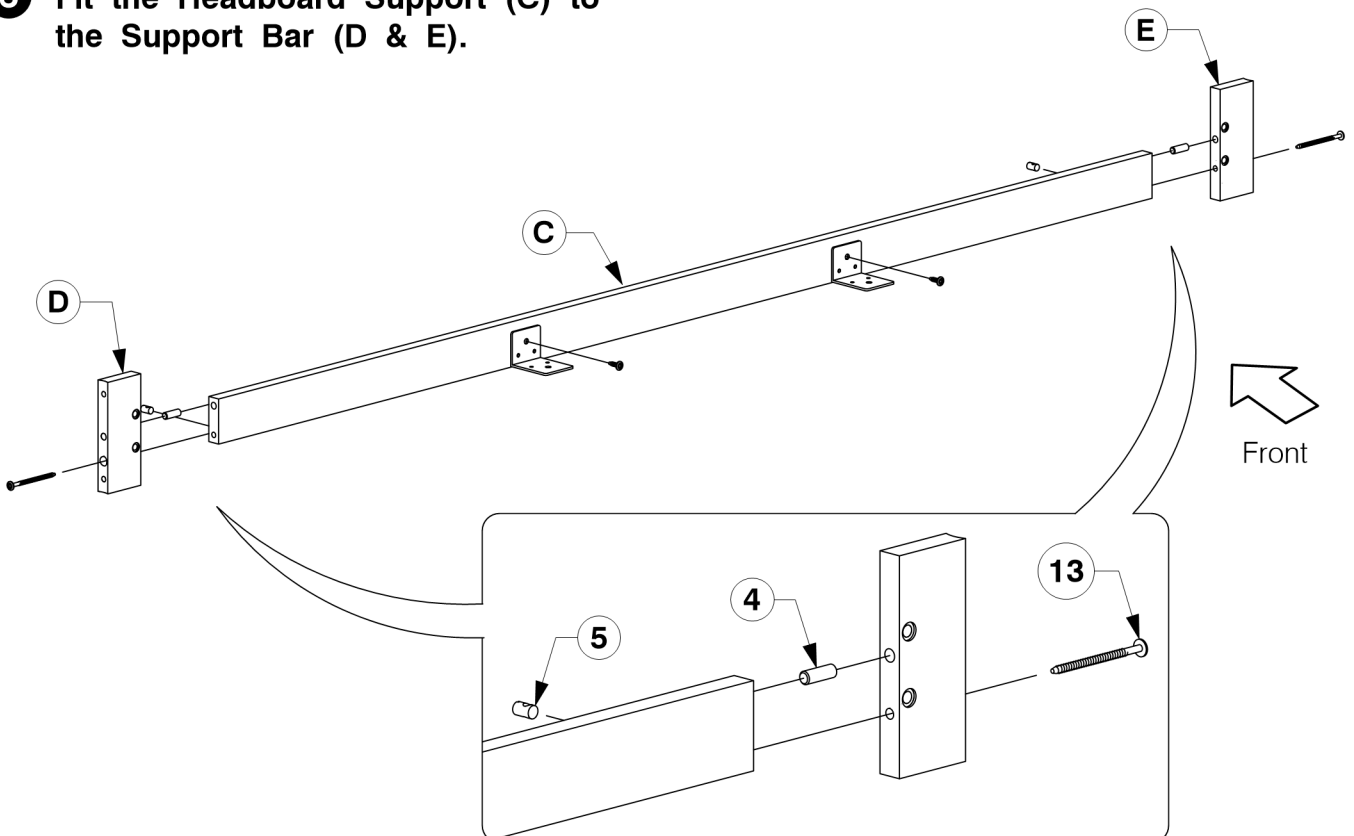
## Assembly Instructions

WI-0622

- 5** Fit the Footboard Post (H) to the Footboard (B).



- 6** Fit the Headboard Support (C) to the Support Bar (D & E).

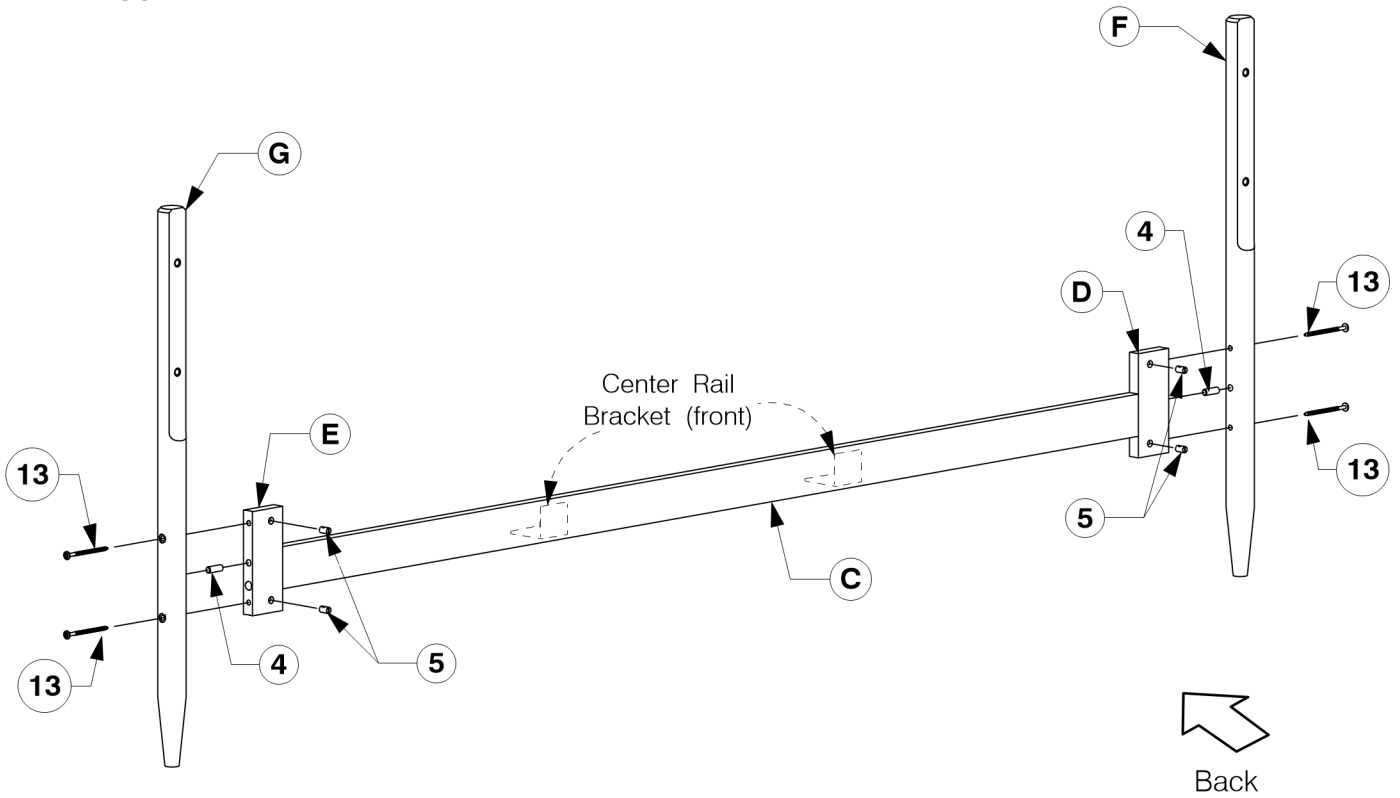


# 0089-1 King Bed

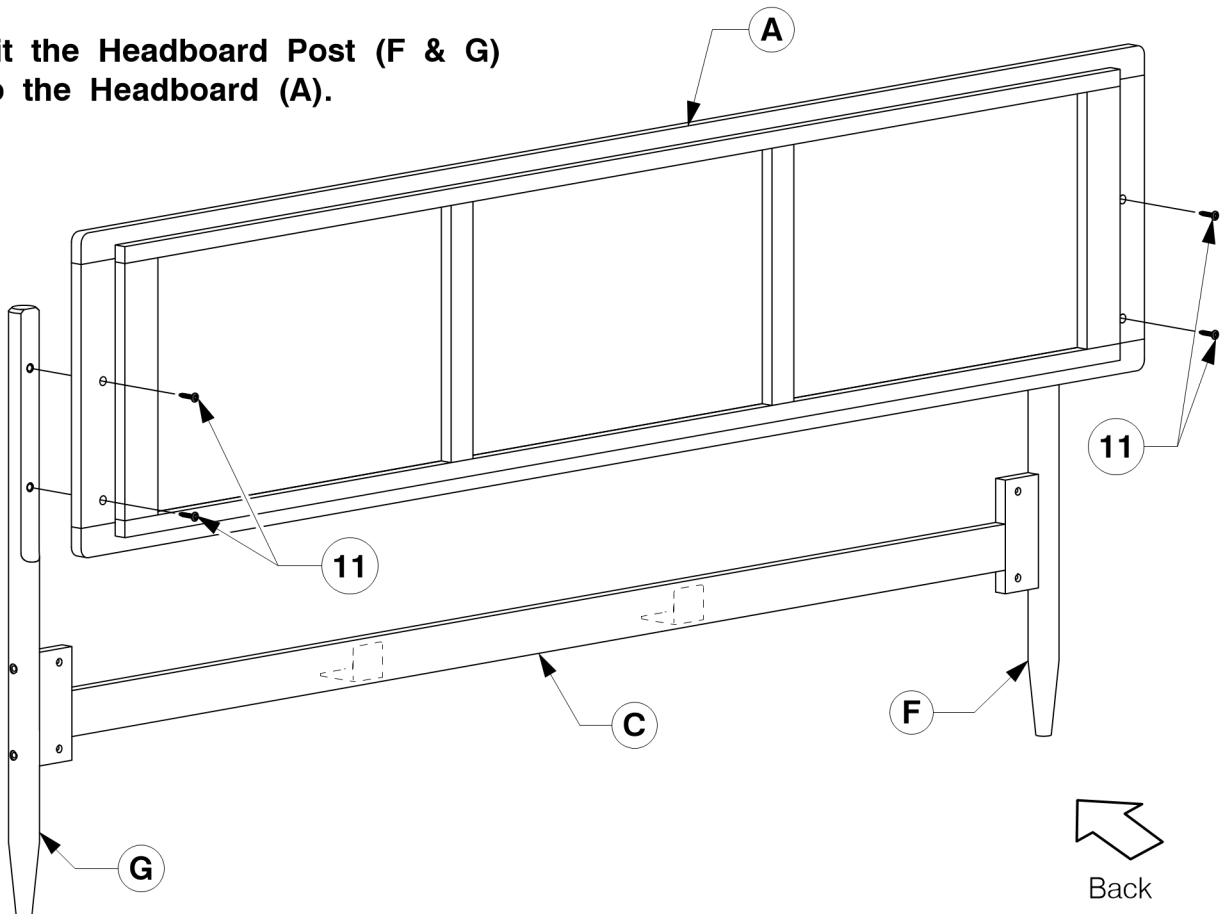
Assembly Instructions

WI-0622

- 7** Assemble the Post (F & G) to the Support Bar (D & E).



- 8** Fit the Headboard Post (F & G) to the Headboard (A).

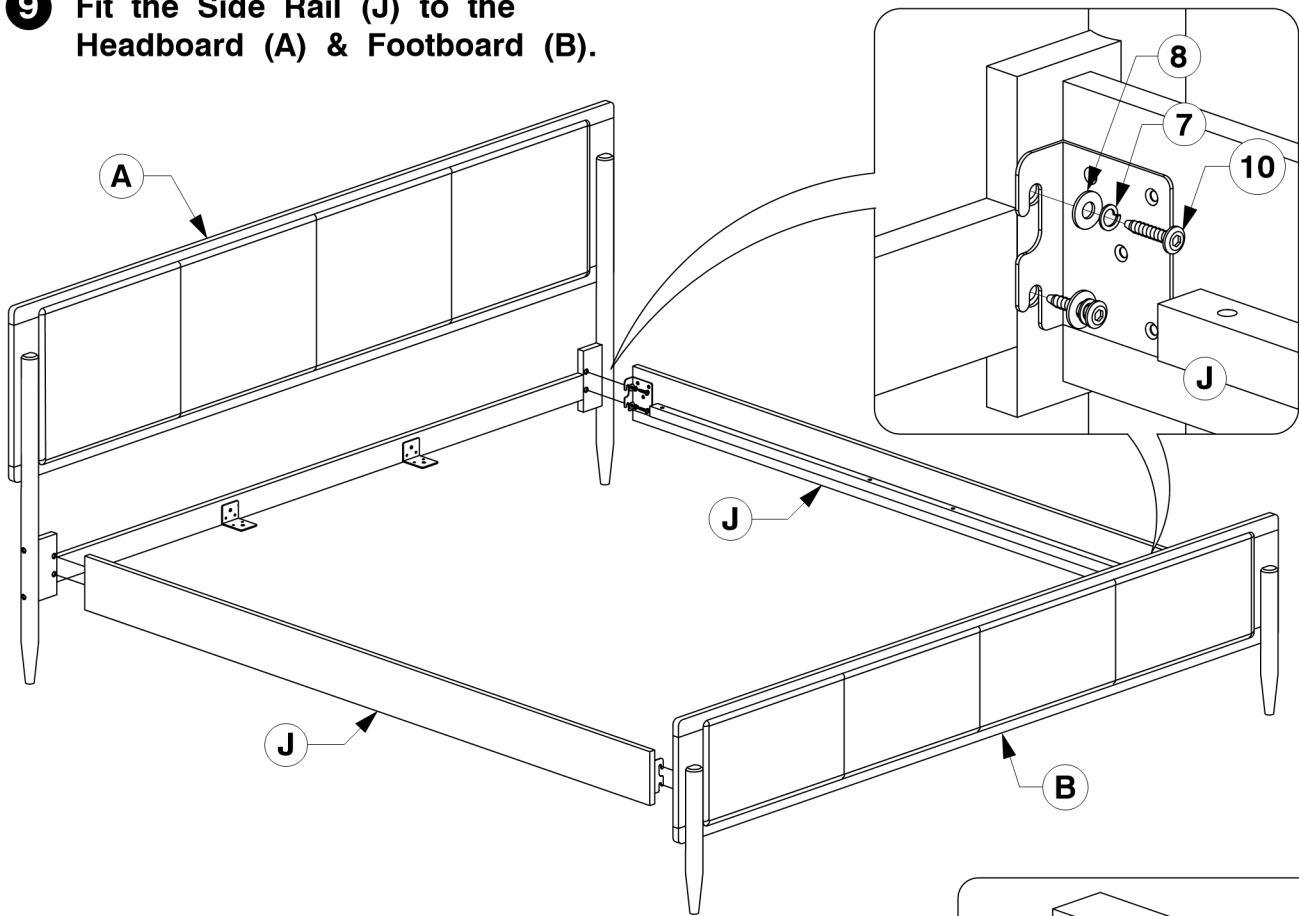


# 0089-1 King Bed

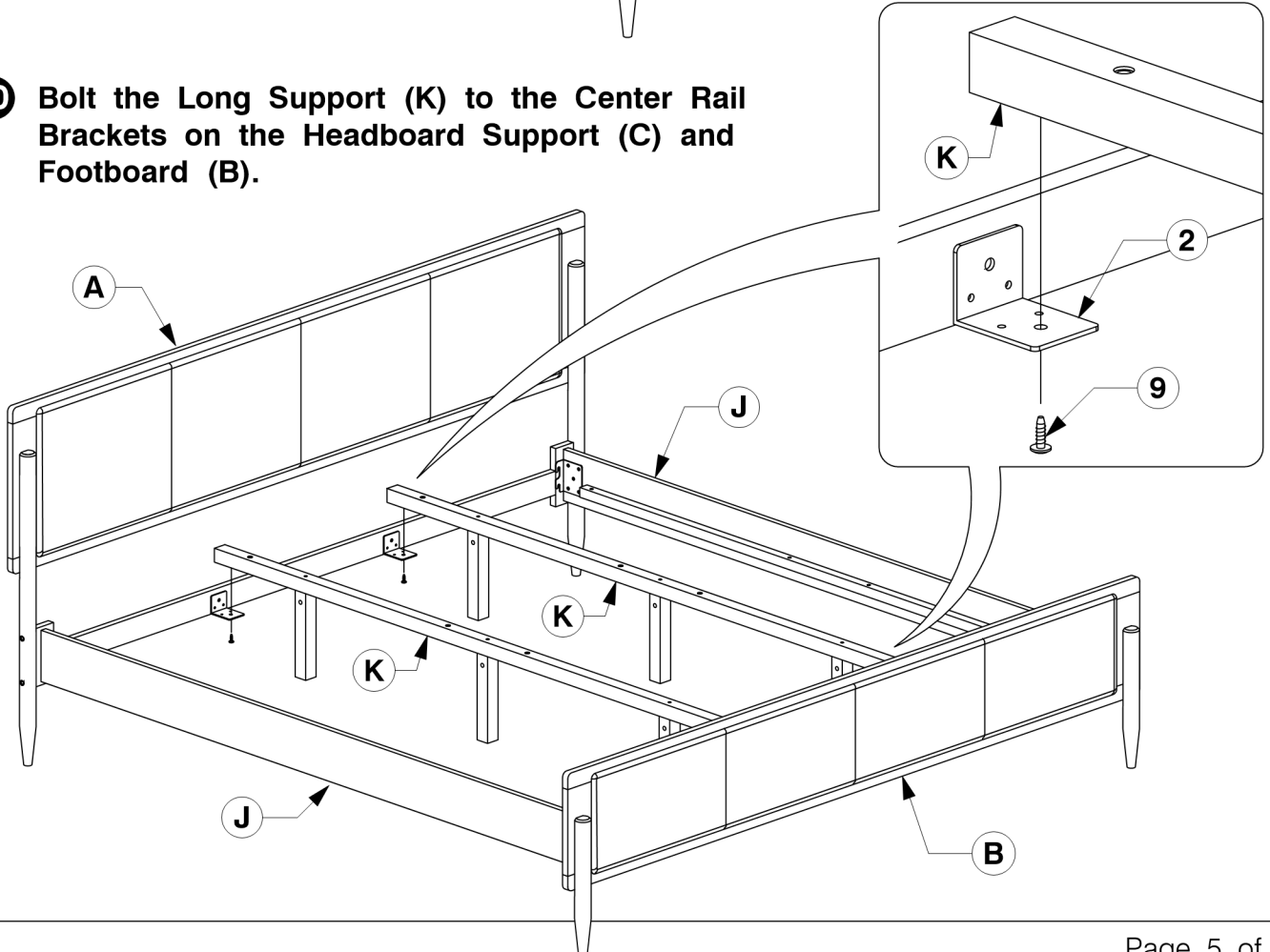
Assembly Instructions

WI-0622

- 9** Fit the Side Rail (J) to the Headboard (A) & Footboard (B).



- 10** Bolt the Long Support (K) to the Center Rail Brackets on the Headboard Support (C) and Footboard (B).

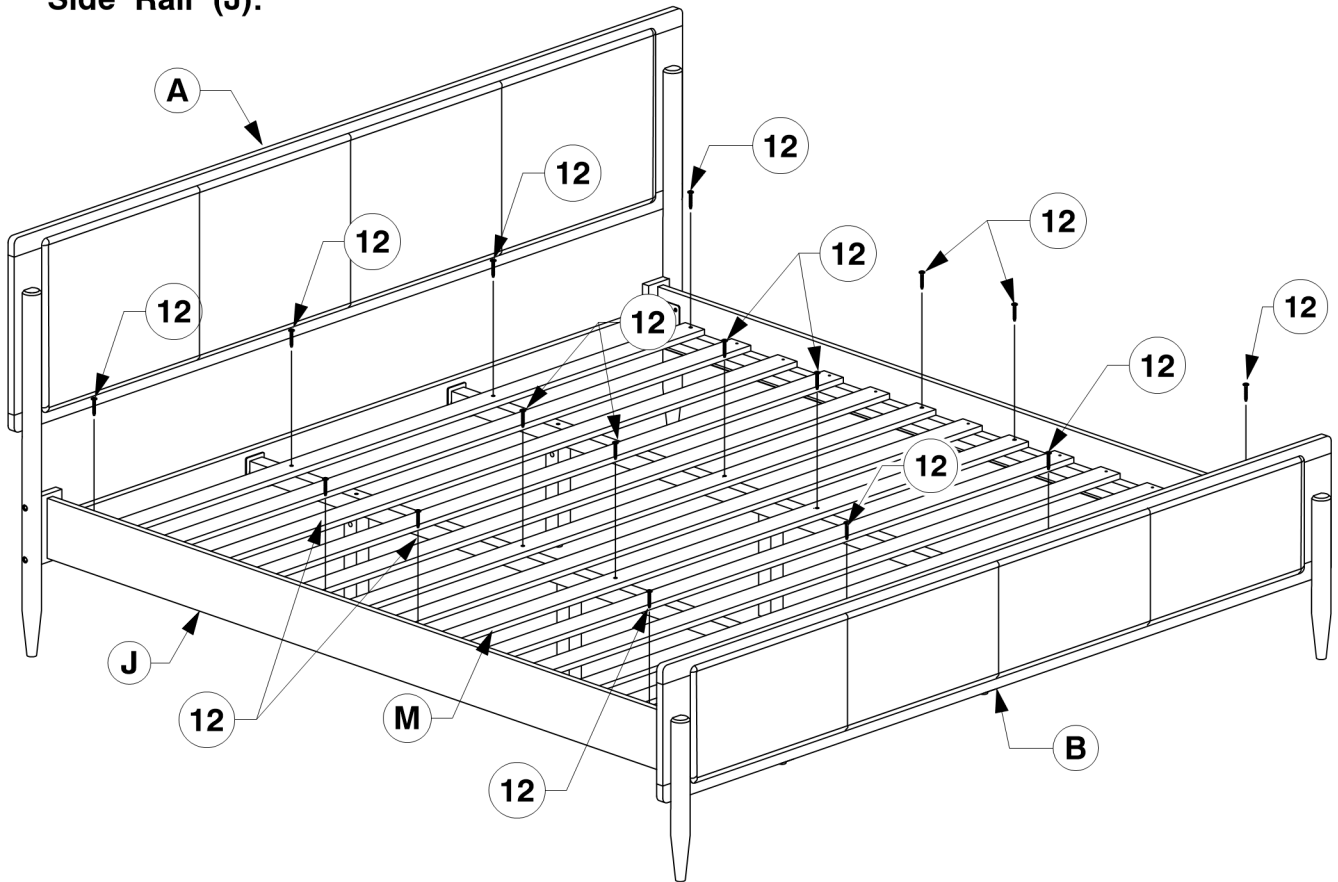


# 0089-1 King Bed

Assembly Instructions

WI-0622

- 11** Bolt the Bed Slats (M) to the Side Rail (J).



- 12** Screw the Bed Slats (M) to the Side Rail (J).

