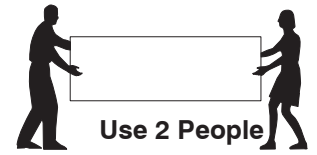
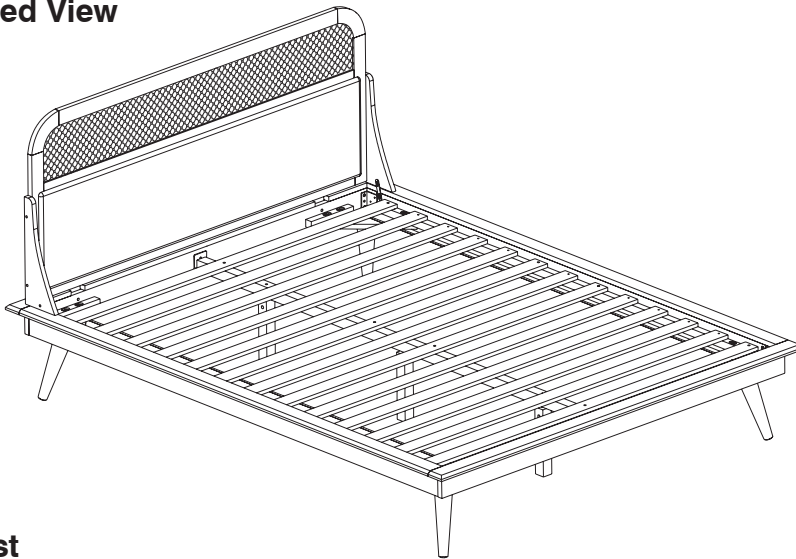


00874 Queen Bed

Assembly Instruction

WI-0622

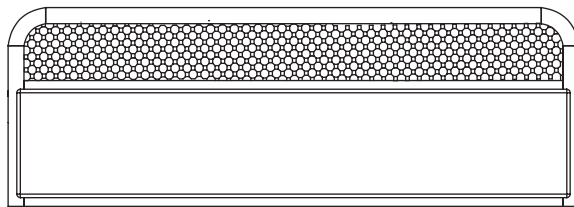
1 Assembled View



Note: Do not assemble using power tools. This can cause the bolts to be overtightened.

2 Parts List

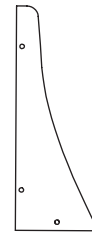
Parts in Box A:



A Headboard x 1



D Support Bar x 2



B

Headboard Side Panel (Left Hand) x 1



C

Headboard Side Panel (Right Hand) x 1

Parts in Box B:



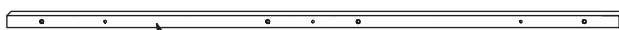
E Headboard Panel x 1



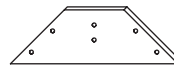
F Footboard Panel x 1



G Side Rail x 2



H Long Support x 1



J

Support Panel x 4



K

Post x 4



L

Support Leg x 3



M

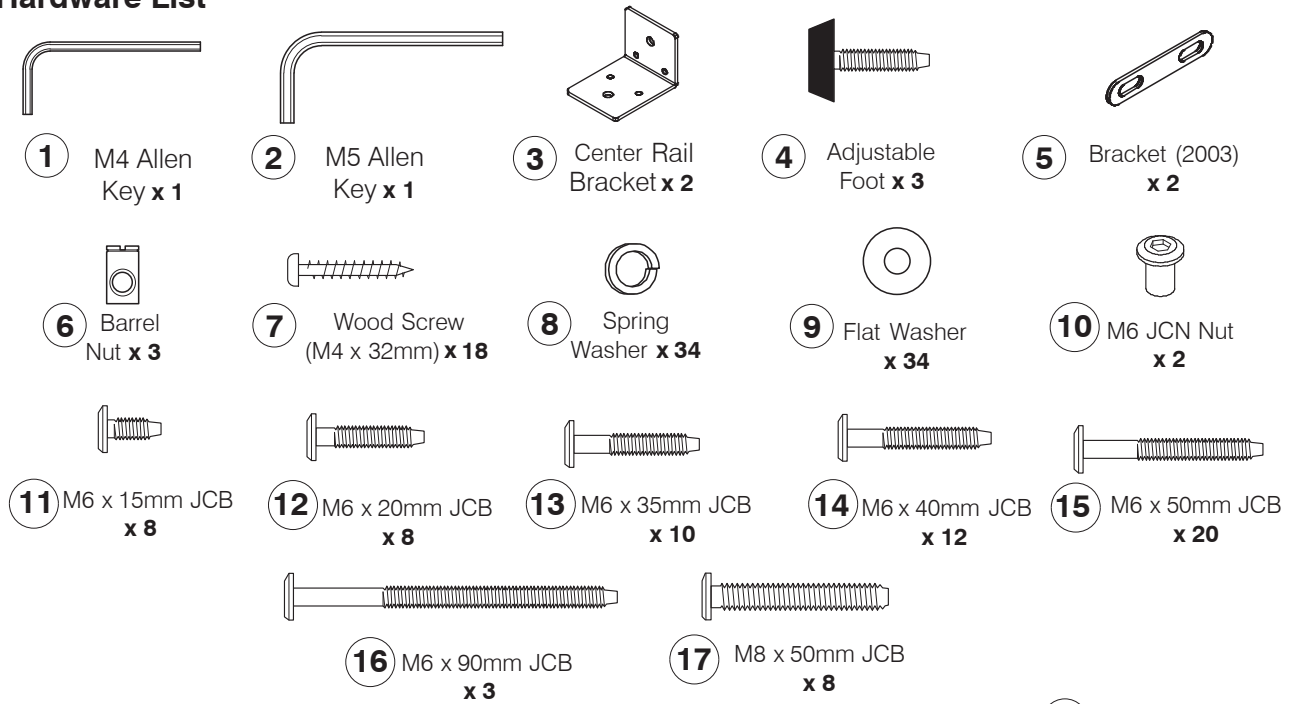
Set of Bed Slats x 1

00874 Queen Bed

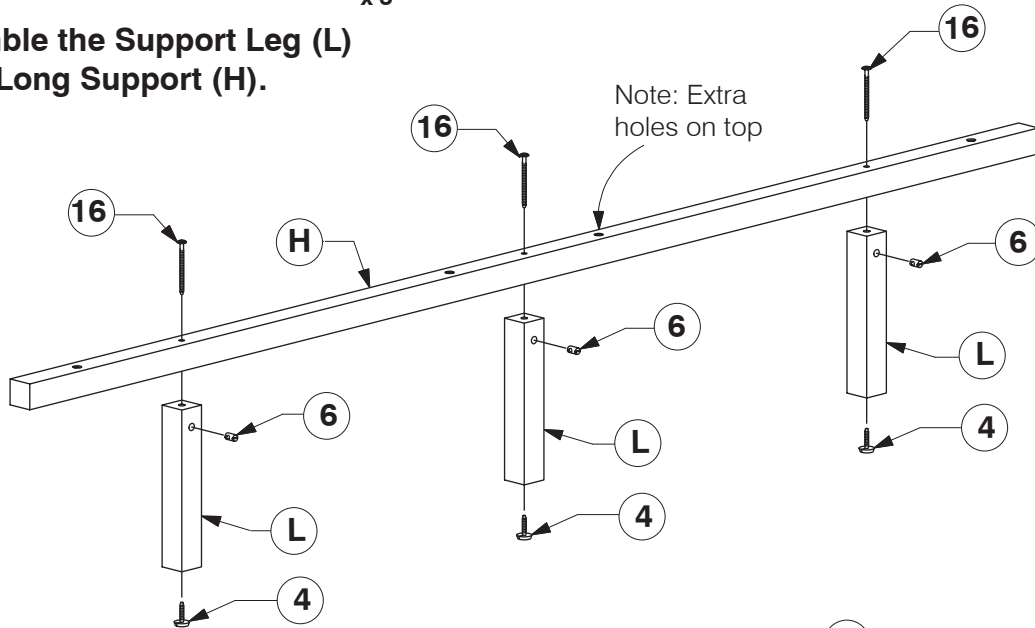
Assembly Instructions

WI-0622

3 Hardware List

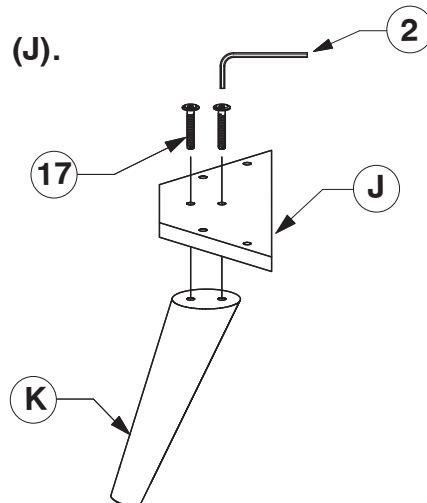


4 Assemble the Support Leg (L) to the Long Support (H).



5 Fit the Post (K) to the Support Panel (J).

x4

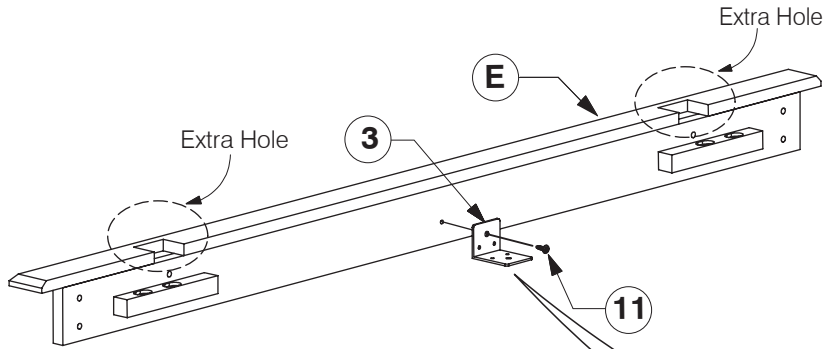


00874 Queen Bed

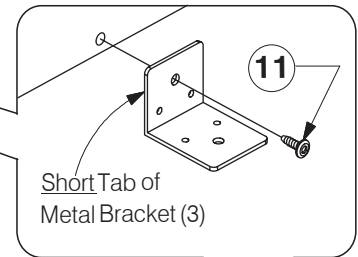
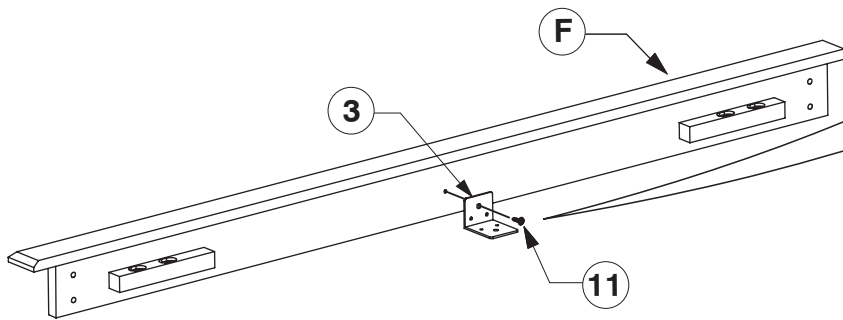
Assembly Instructions

WI-0622

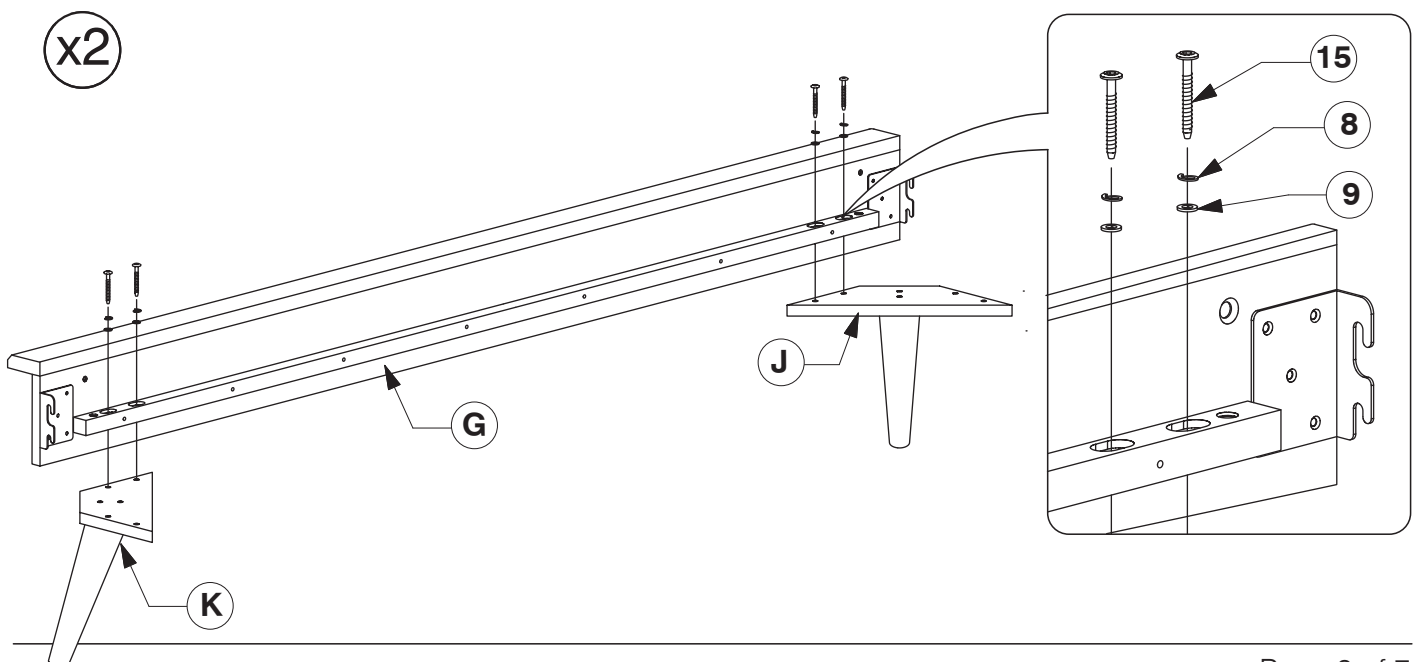
- 6** Fit the Centre Rail Bracket to the Headboard Panel (E).



- 7** Fit the Centre Rail Bracket to the Footboard Panel (F).



- 8** Assemble the Side Rail (G) to the Support Panel (J).

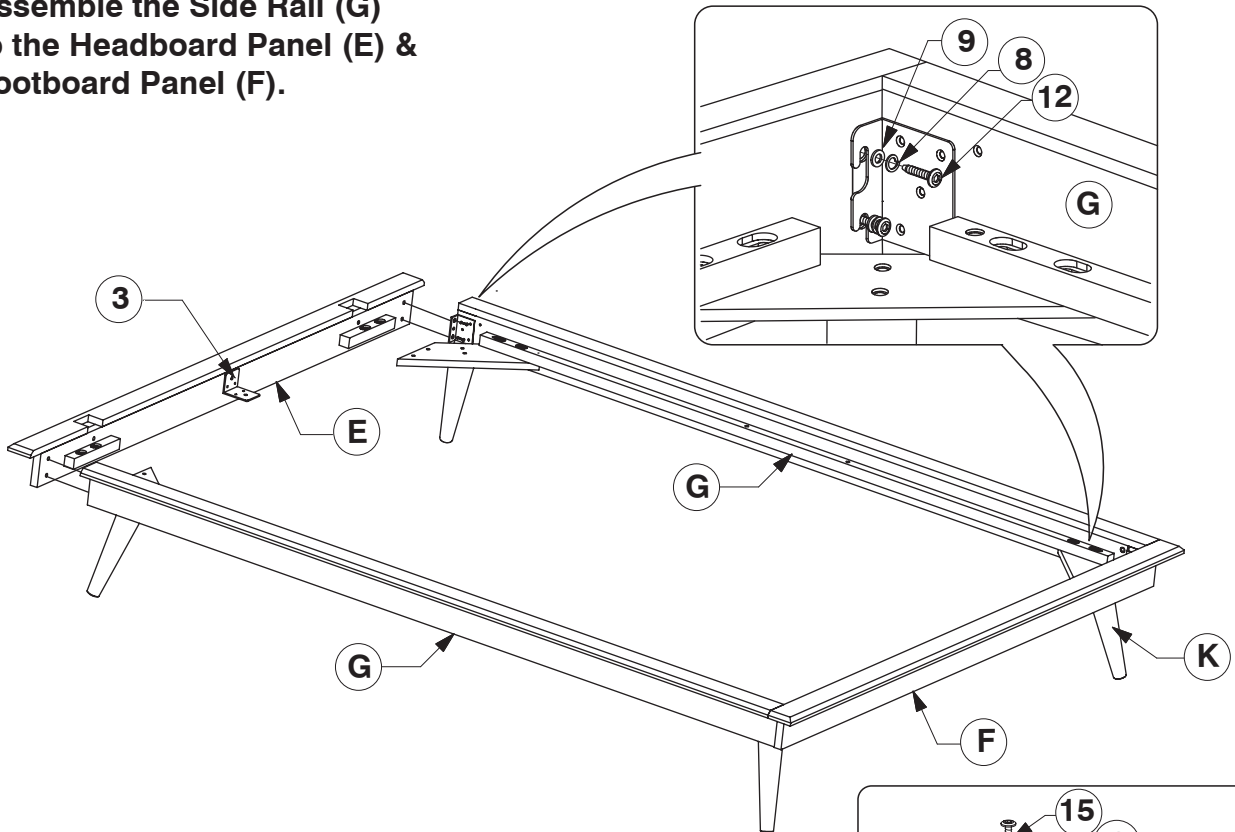


00874 Queen Bed

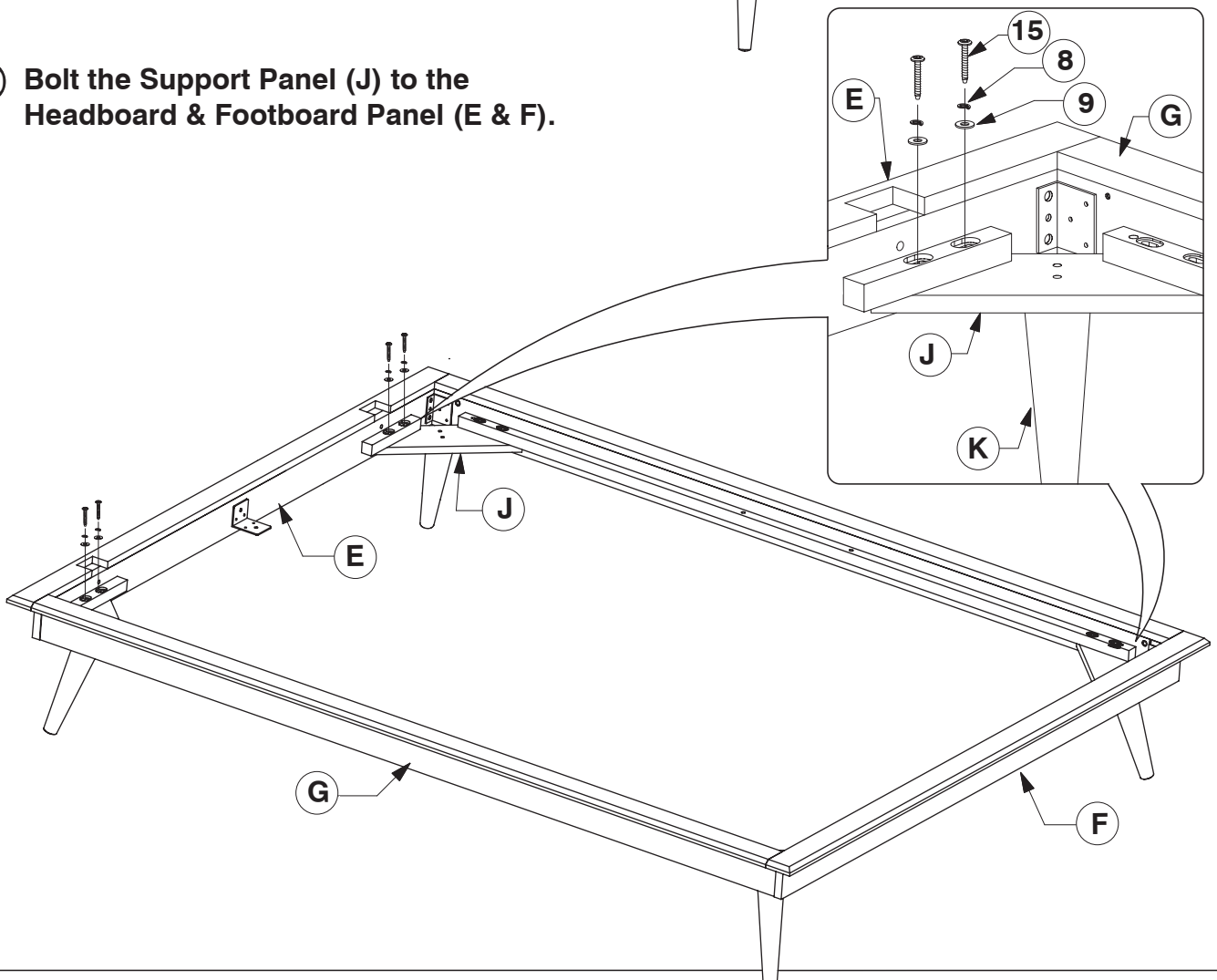
Assembly Instructions

WI-0622

- 9** Assemble the Side Rail (G) to the Headboard Panel (E) & Footboard Panel (F).



- 10** Bolt the Support Panel (J) to the Headboard & Footboard Panel (E & F).

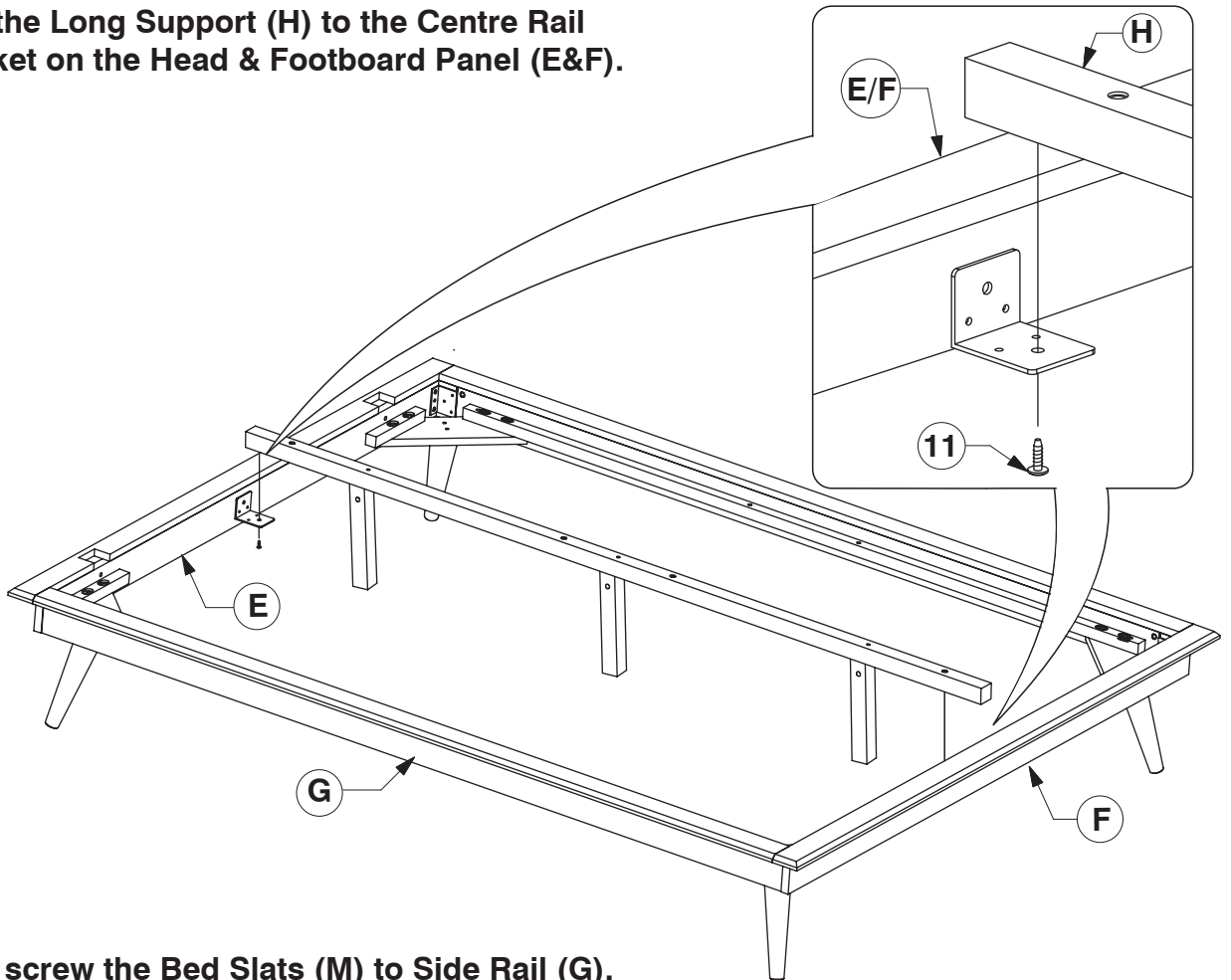


00874 Queen Bed

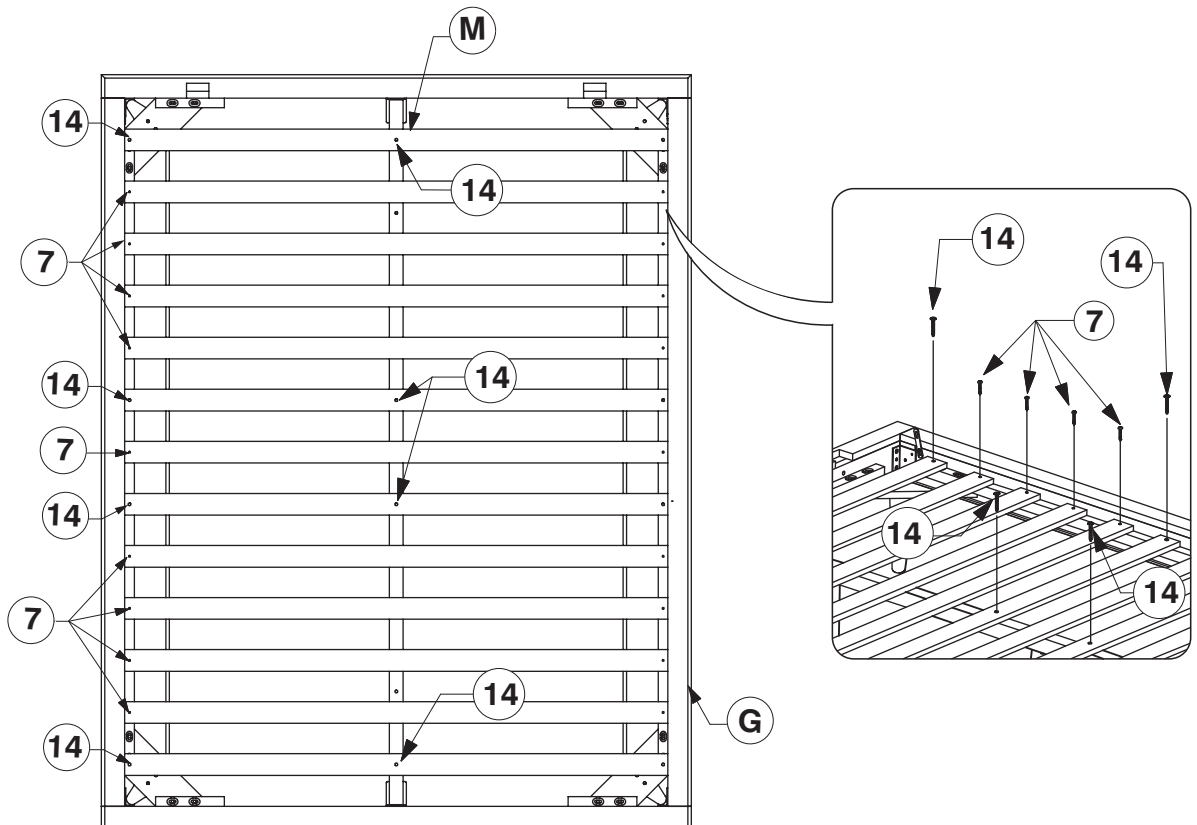
Assembly Instructions

WI-0622

- 11** Bolt the Long Support (H) to the Centre Rail bracket on the Head & Footboard Panel (E&F).



- 12** Bolt & screw the Bed Slats (M) to Side Rail (G).

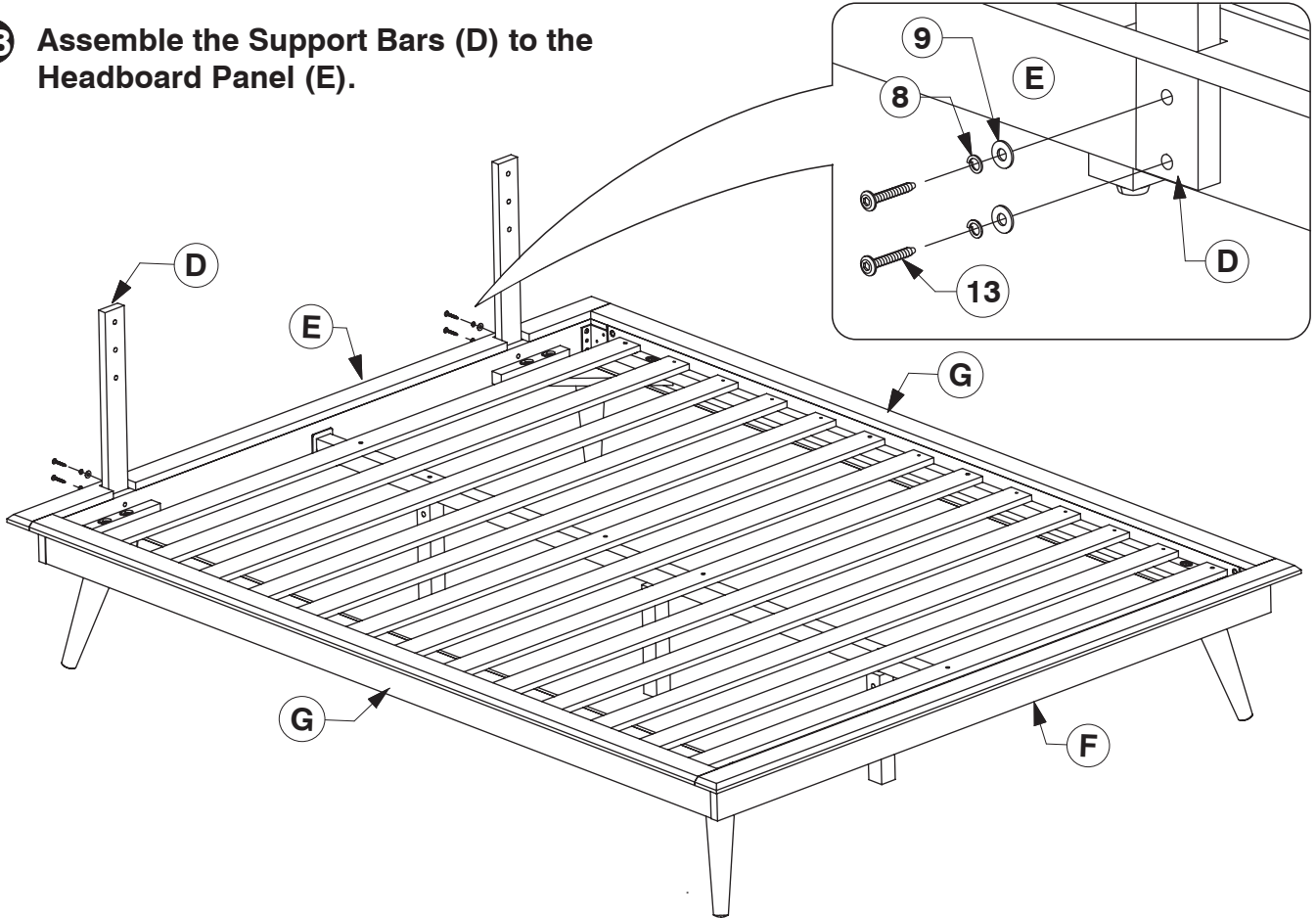


00874 Queen Bed

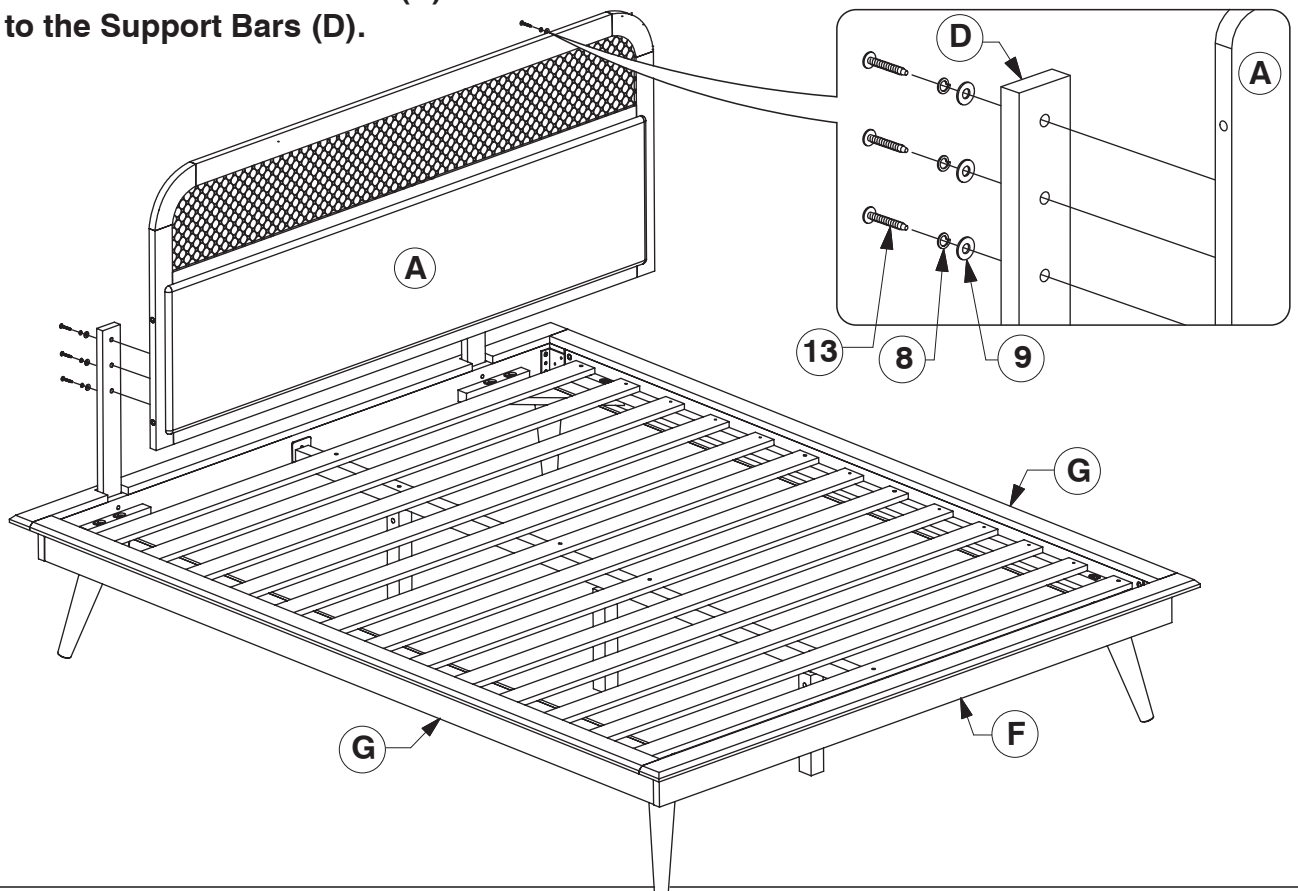
Assembly Instructions

WI-0622

- 13** Assemble the Support Bars (D) to the Headboard Panel (E).



- 14** Assemble the Headboard (A) to the Support Bars (D).



00874 Queen Bed

Assembly Instructions

WI-0622

15 Assemble the Headboard Side Panel (B & C) as shown.

