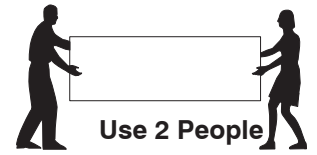
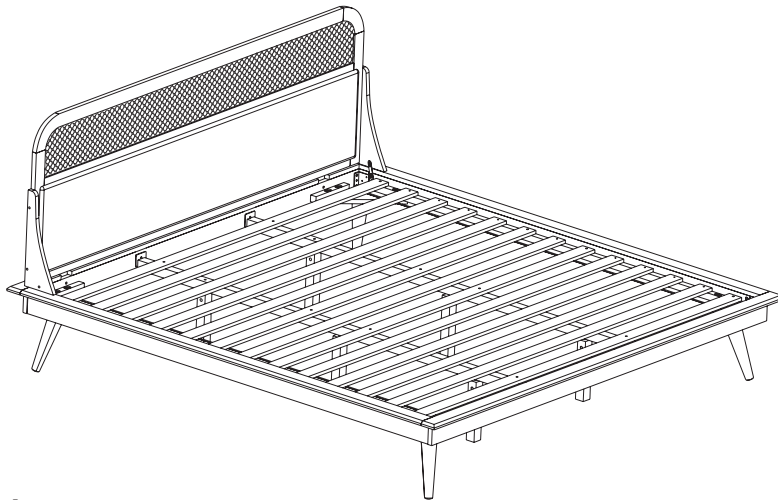


00874 King Bed

Assembly Instruction

WI-0622

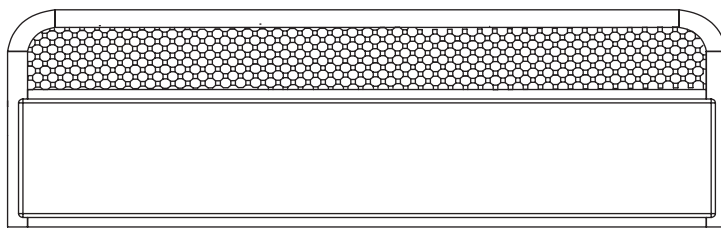
1 Assembled View



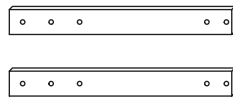
Note: Do not assemble using power tools. This can cause the bolts to be overtightened.

2 Parts List

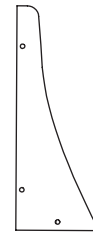
Parts in Box A:



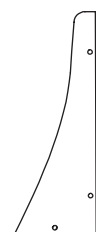
A Headboard x 1



D Support Bar x 2



B Headboard Side Panel (Left Hand) x 1

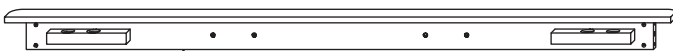


C Headboard Side Panel (Right Hand) x 1

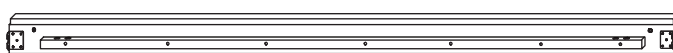
Parts in Box B:



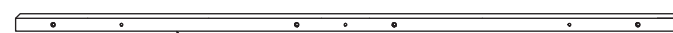
E Headboard Panel x 1



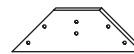
F Footboard Panel x 1



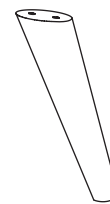
G Side Rail x 2



H Long Support x 2



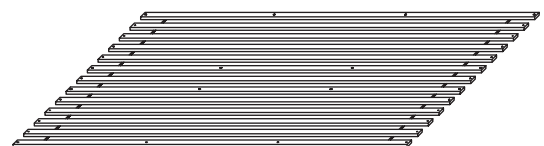
J Support Panel x 4



K Post x 4



L Support Leg x 6



M Set of Bed Slats x 1

00874 King Bed

Assembly Instructions

WI-0622

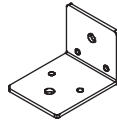
3 Hardware List



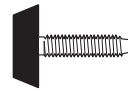
1 M4 Allen Key x 1



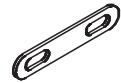
2 M5 Allen Key x 1



3 Center Rail Bracket x 4



4 Adjustable Foot x 6



5 Bracket (2003) x 2



6 Barrel Nut x 6



7 Wood Screw (M4 x 32mm) x 18



8 Spring Washer x 34



9 Flat Washer x 34



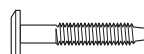
10 M6 JCN Nut x 2



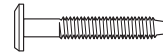
11 M6 x 15mm JCB x 12



12 M6 x 20mm JCB x 8



13 M6 x 35mm JCB x 10



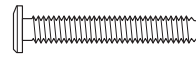
14 M6 x 40mm JCB x 16



15 M6 x 50mm JCB x 20

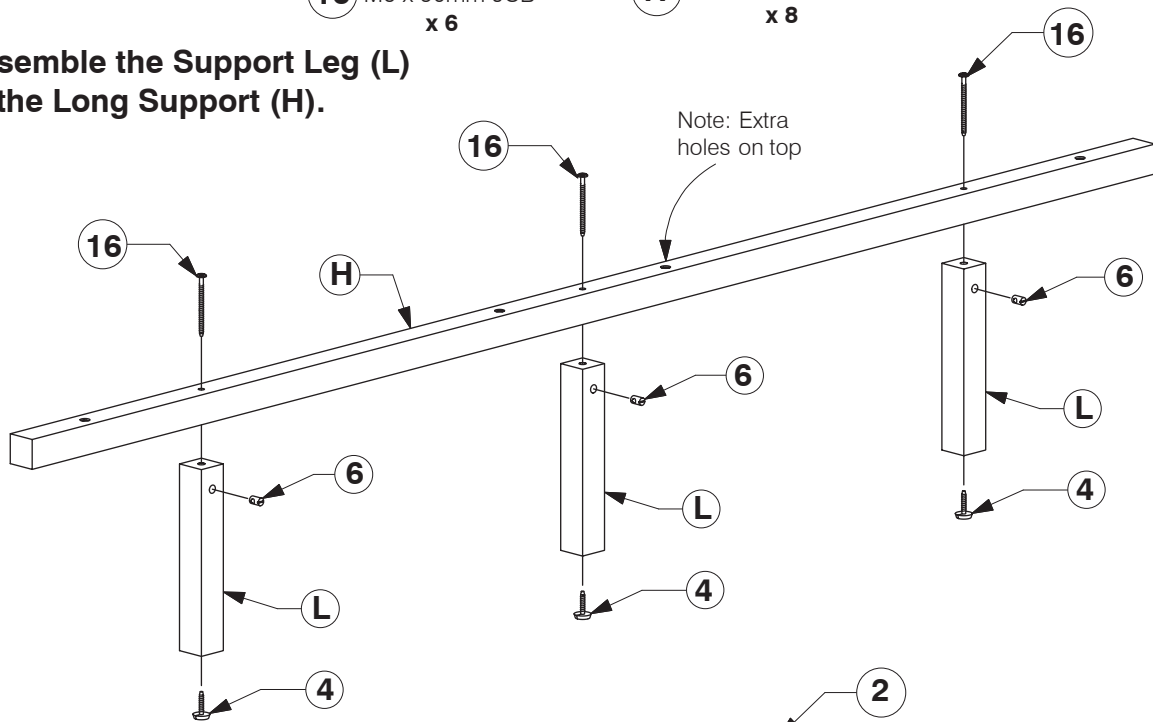


16 M6 x 90mm JCB x 6

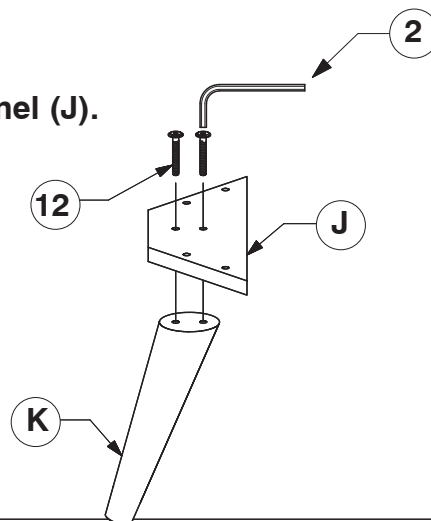


17 M8 x 50mm JCB x 8

4 Assemble the Support Leg (L) to the Long Support (H).



5 Fit the Post (K) to the Support Panel (J).

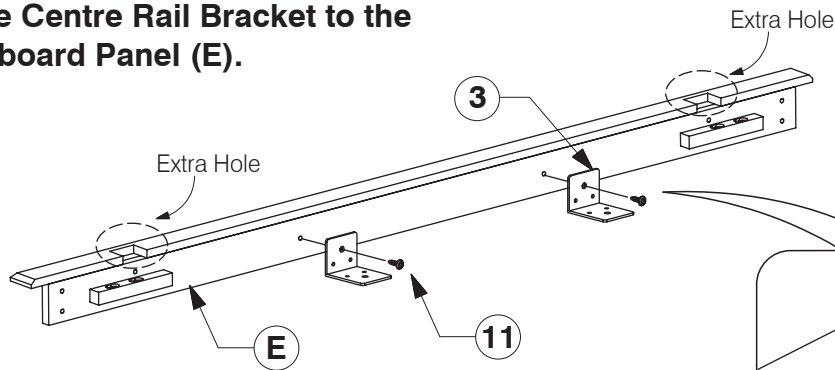


00874 King Bed

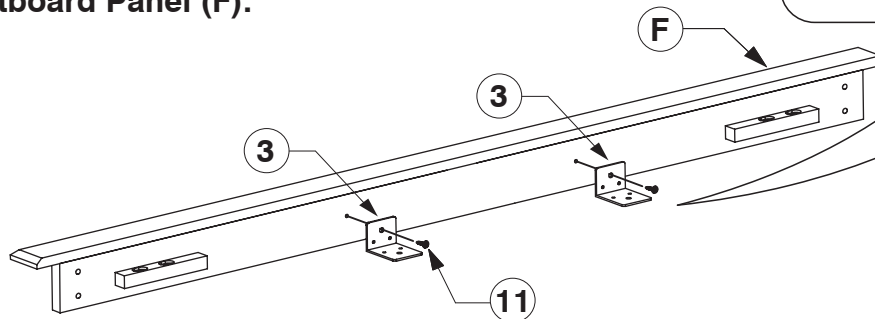
Assembly Instructions

WI-0622

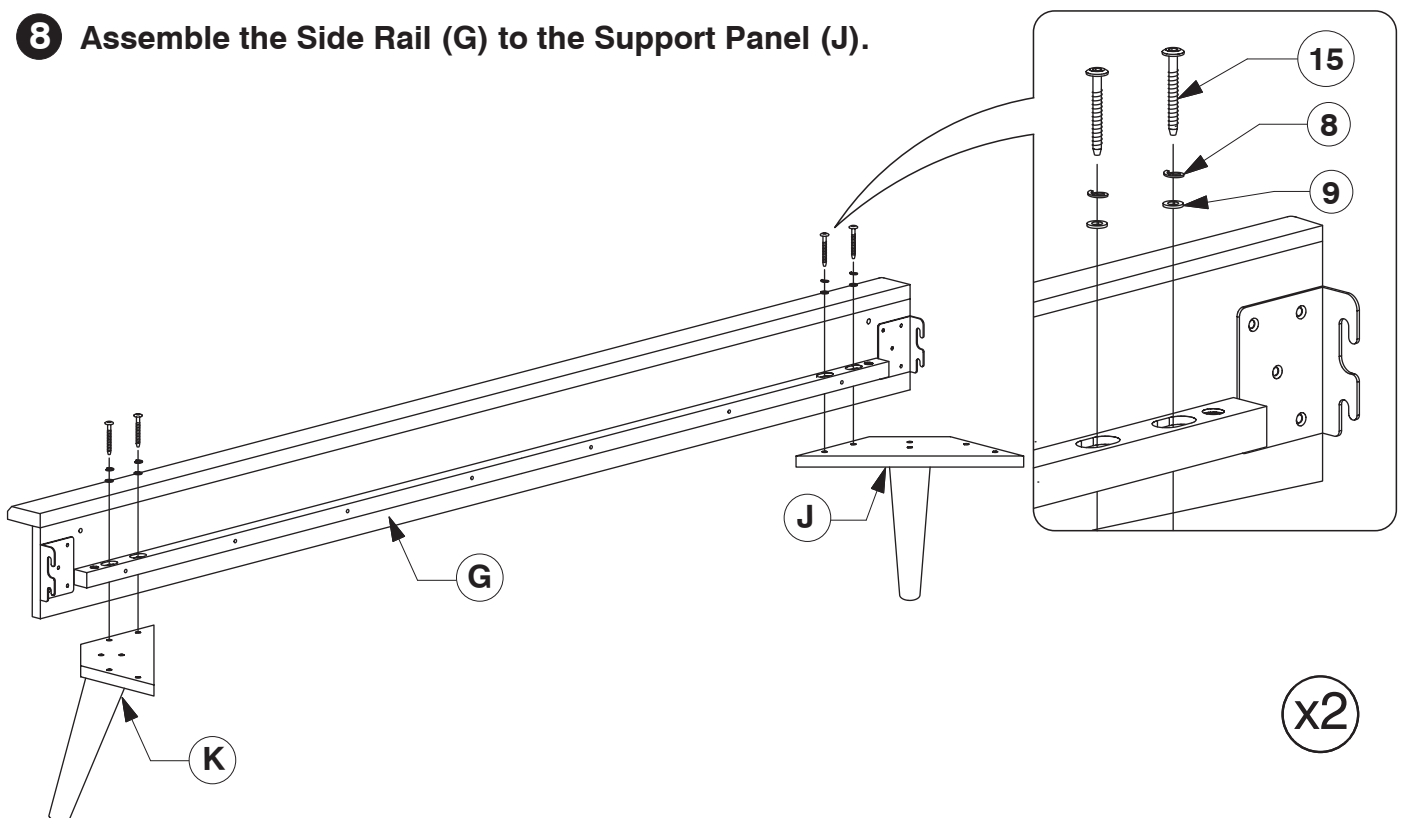
- 6** Fit the Centre Rail Bracket to the Headboard Panel (E).



- 7** Fit the Centre Rail Bracket to the Footboard Panel (F).



- 8** Assemble the Side Rail (G) to the Support Panel (J).

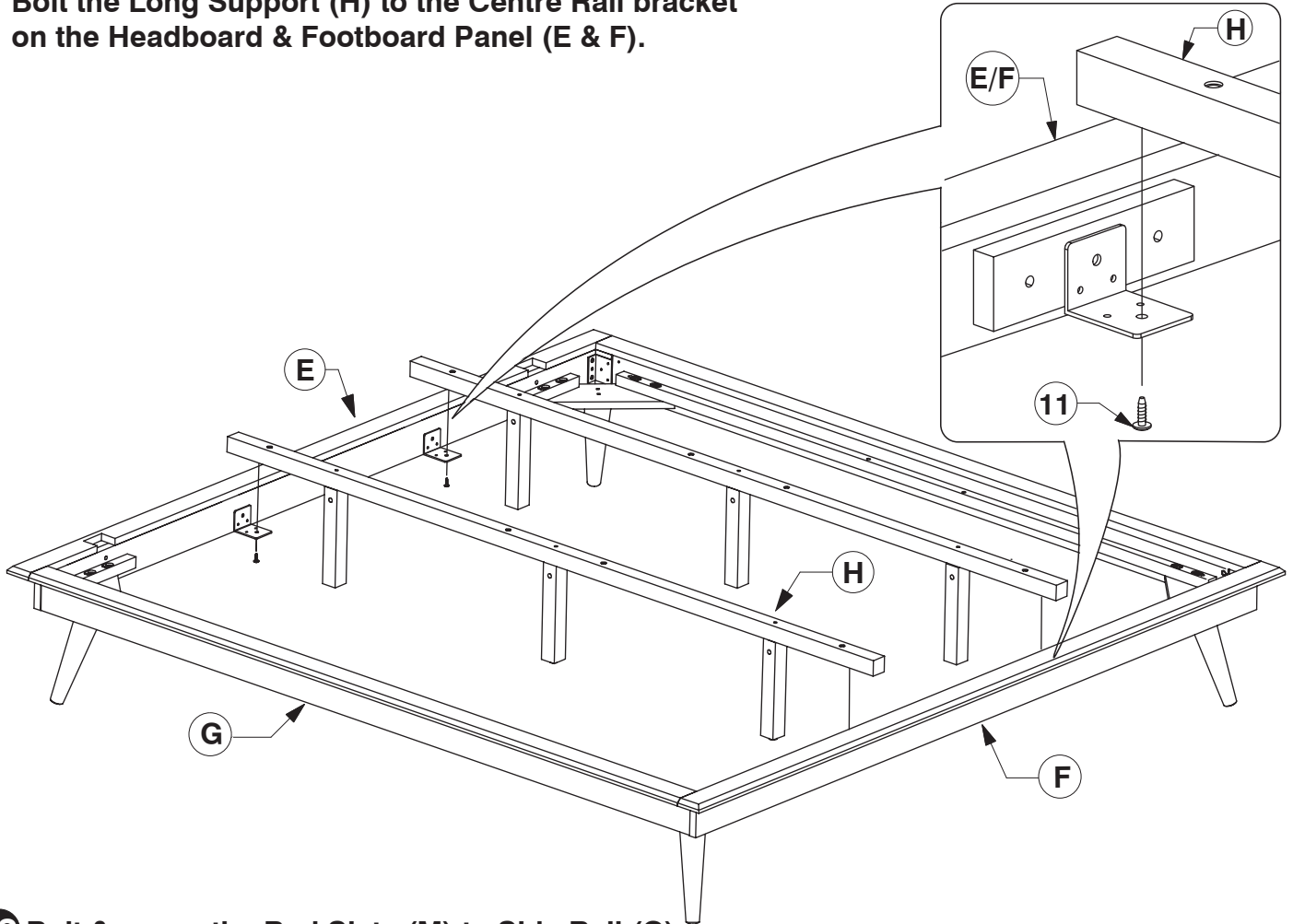


00874 King Bed

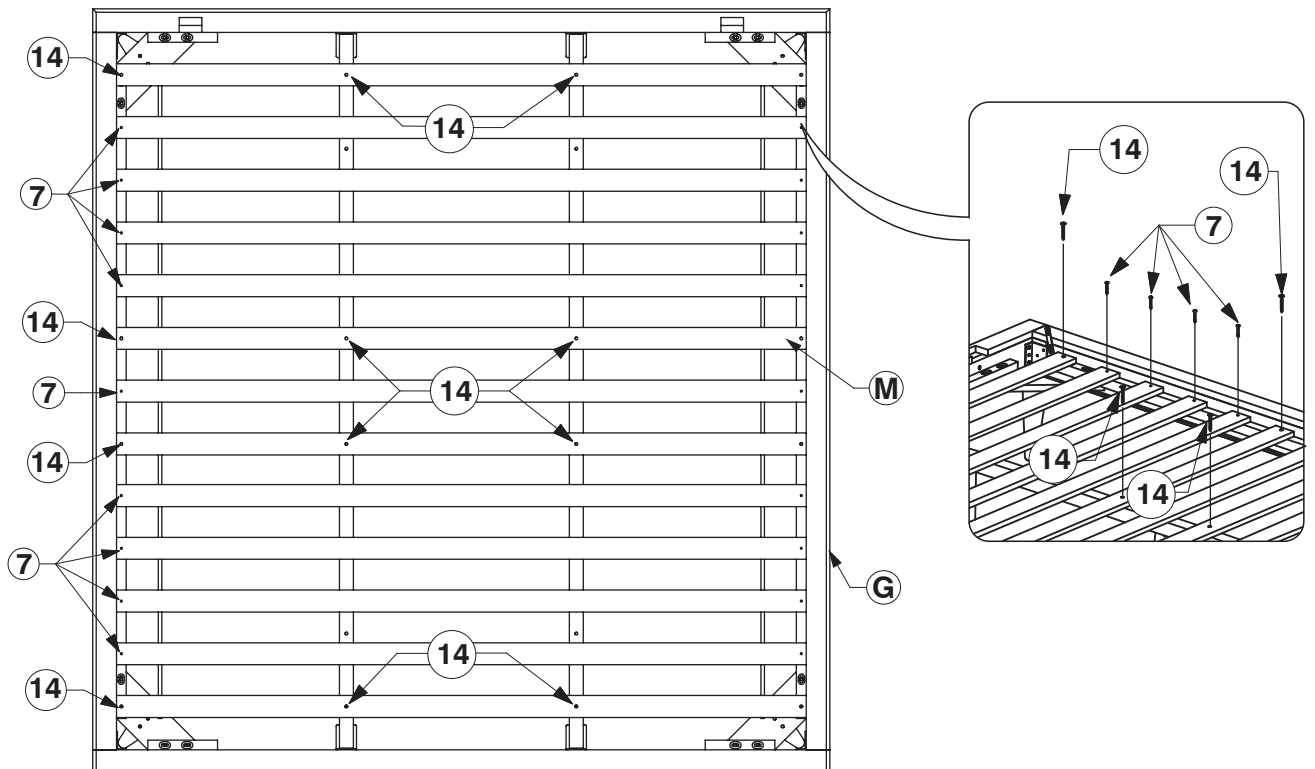
Assembly Instructions

WI-0622

- 11** Bolt the Long Support (H) to the Centre Rail bracket on the Headboard & Footboard Panel (E & F).



- 12** Bolt & screw the Bed Slats (M) to Side Rail (G).

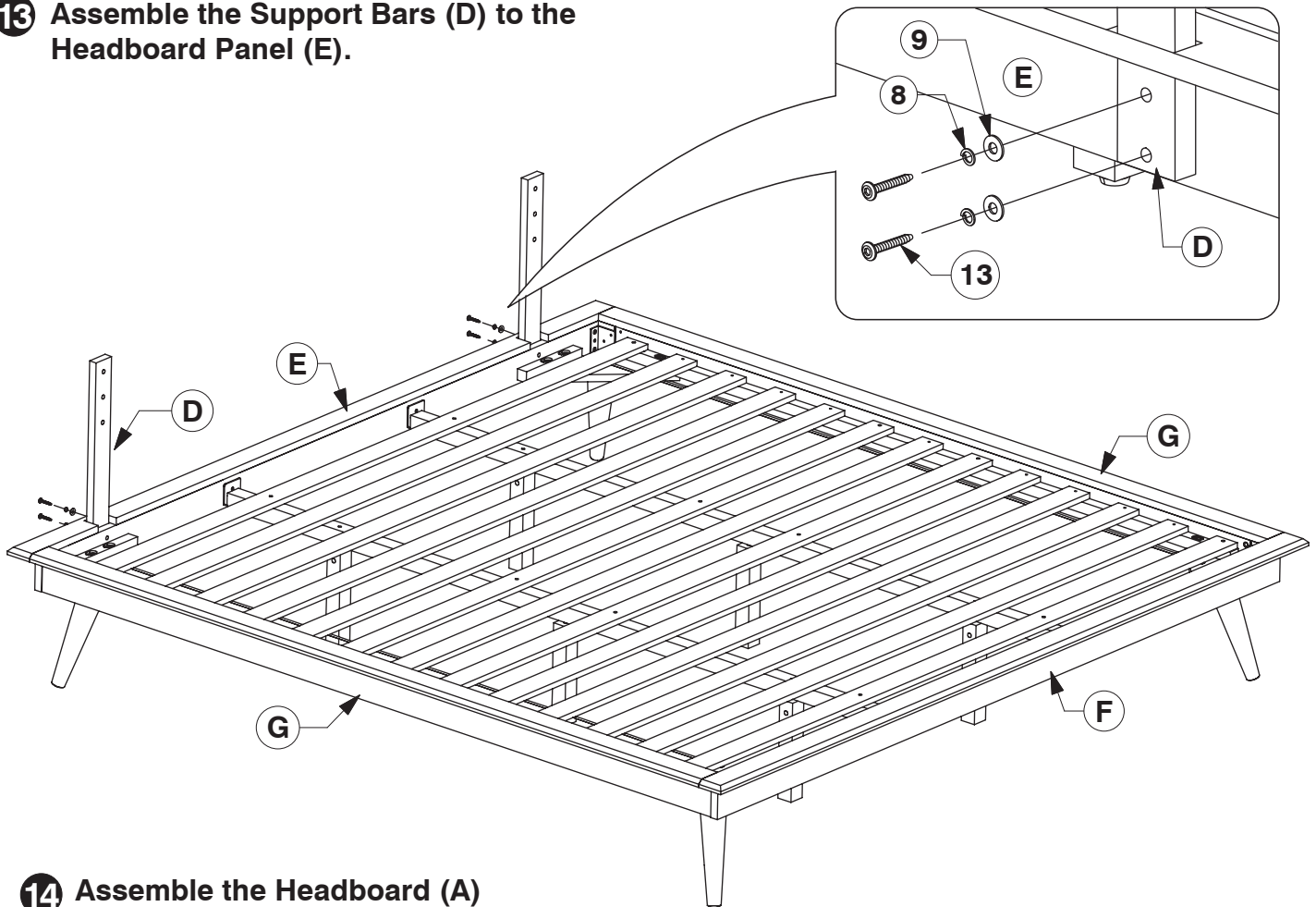


00874 King Bed

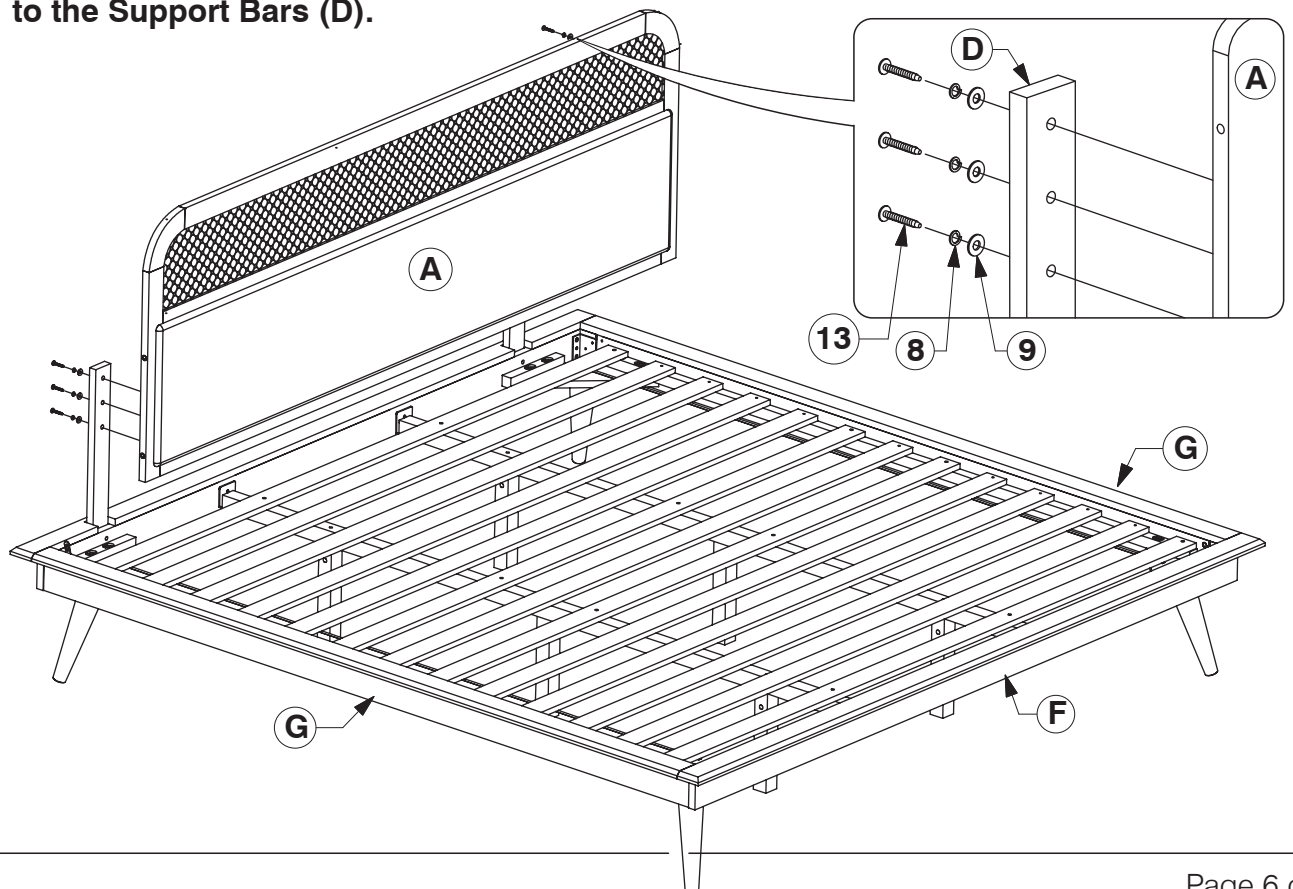
Assembly Instructions

WI-0622

- 13** Assemble the Support Bars (D) to the Headboard Panel (E).



- 14** Assemble the Headboard (A) to the Support Bars (D).



00874 King Bed

Assembly Instructions

WI-0622

- 15** Assemble the Headboard Side Panel (B & C) as shown.

