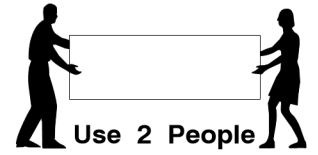
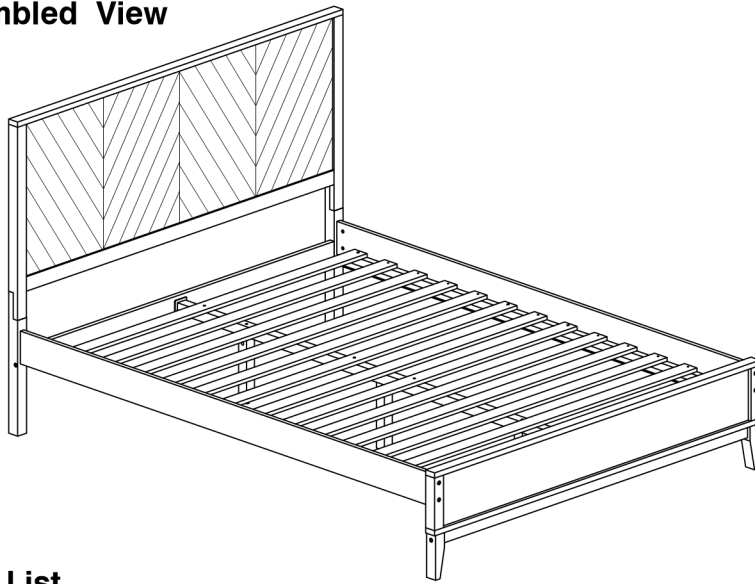


0085 Queen Bed

Assembly Instructions

WI-0622

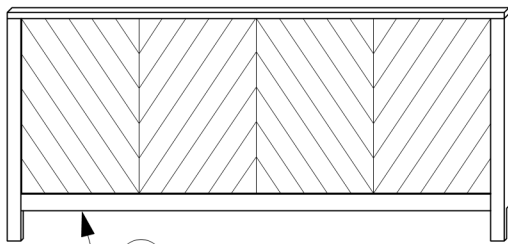
1 Assembled View



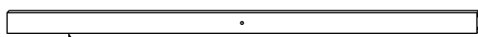
Note: Do not assemble using power tools. This can cause the bolts to be overtightened

2 Parts List

Parts in Box A:



A Headboard Panel x 1



B Headboard Support x 1



C

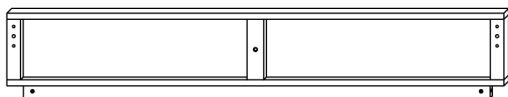
Headboard Post (Left hand) x 1



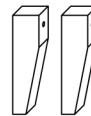
D

Headboard Post (Right hand) x 1

Parts in Box B:



E Footboard Panel x 1

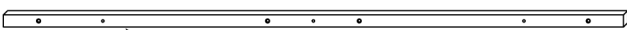


H

Footboard Post x 2



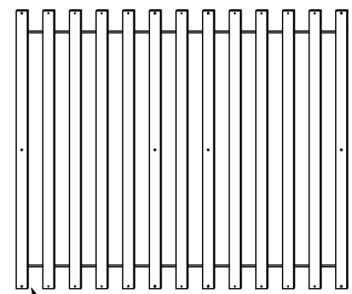
F Side Rail x 2



G Long Support x 1



J Support Leg x 3



K Set of Bed Slats x 1

0085 Queen Bed

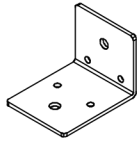
Assembly Instructions

WI-0622

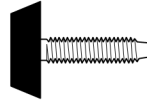
3 Hardware List



1 M4 Allen Key
x 1



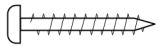
2 Center Rail
Bracket x 2



3 Adjustable
Foot x 3



4 Barrel Nut
x 15



5 Wood Screw
(M4 x 32mm) x 18



6 Wood Dowel
(10 x 40mm) x 6



7 Spring Washer
x 4



8 Flat Washer
x 4



9 M6 x 15mm JCB
x 4

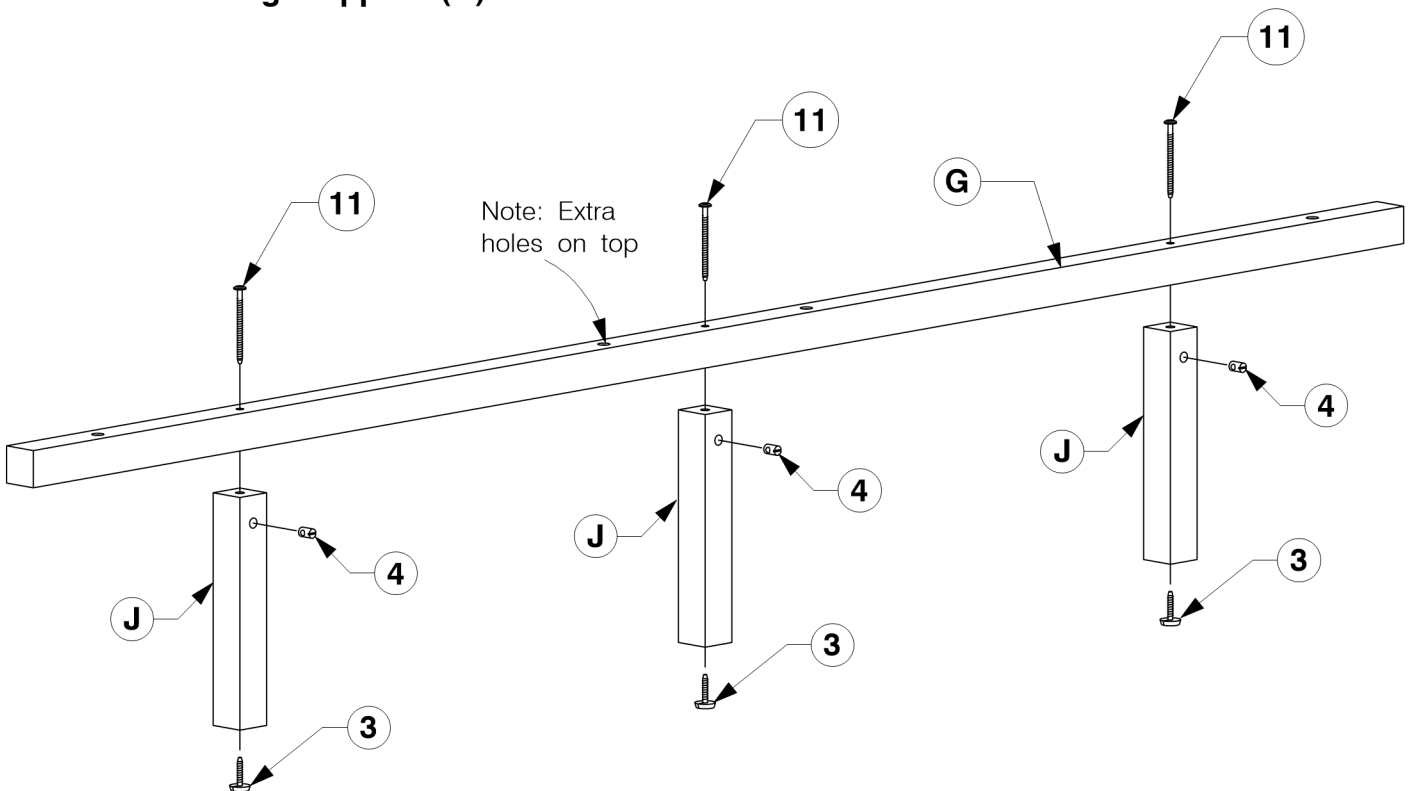


10 M6 x 40mm JCB
x 16



11 M6 x 90mm JCB
x 15

4 Assembled the Support Leg (J) to the Long Support (G).

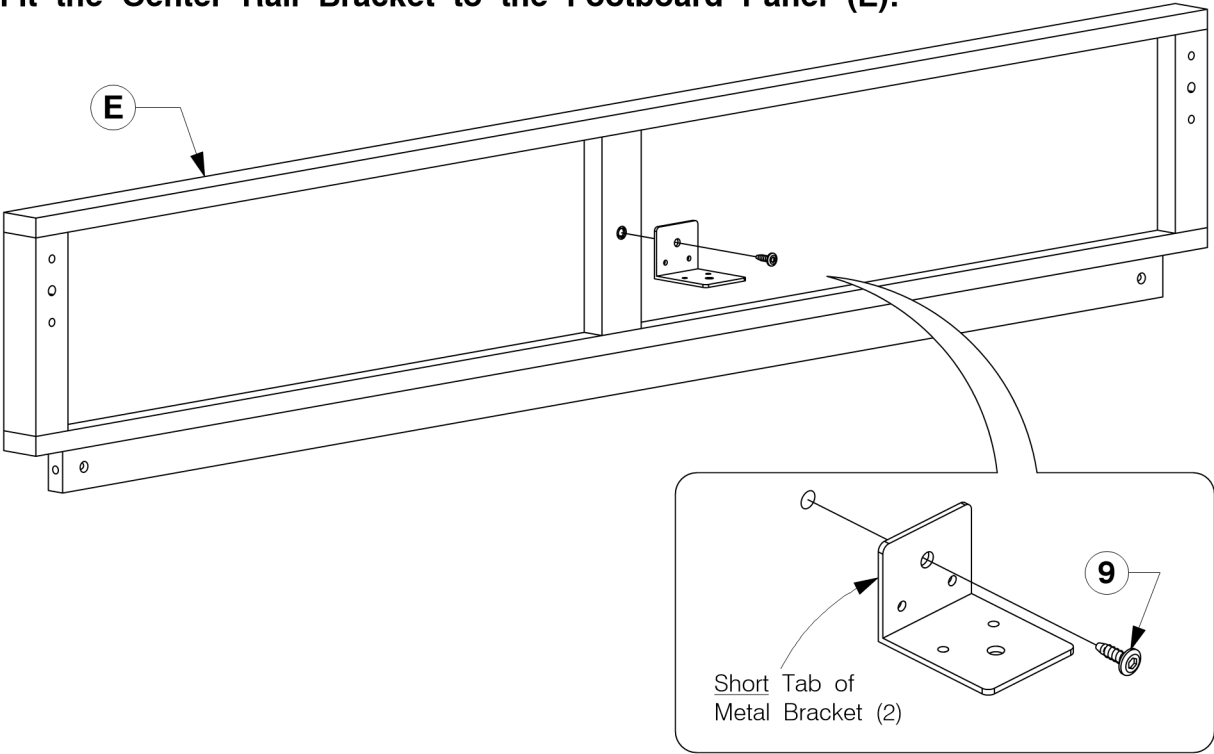


0085 Queen Bed

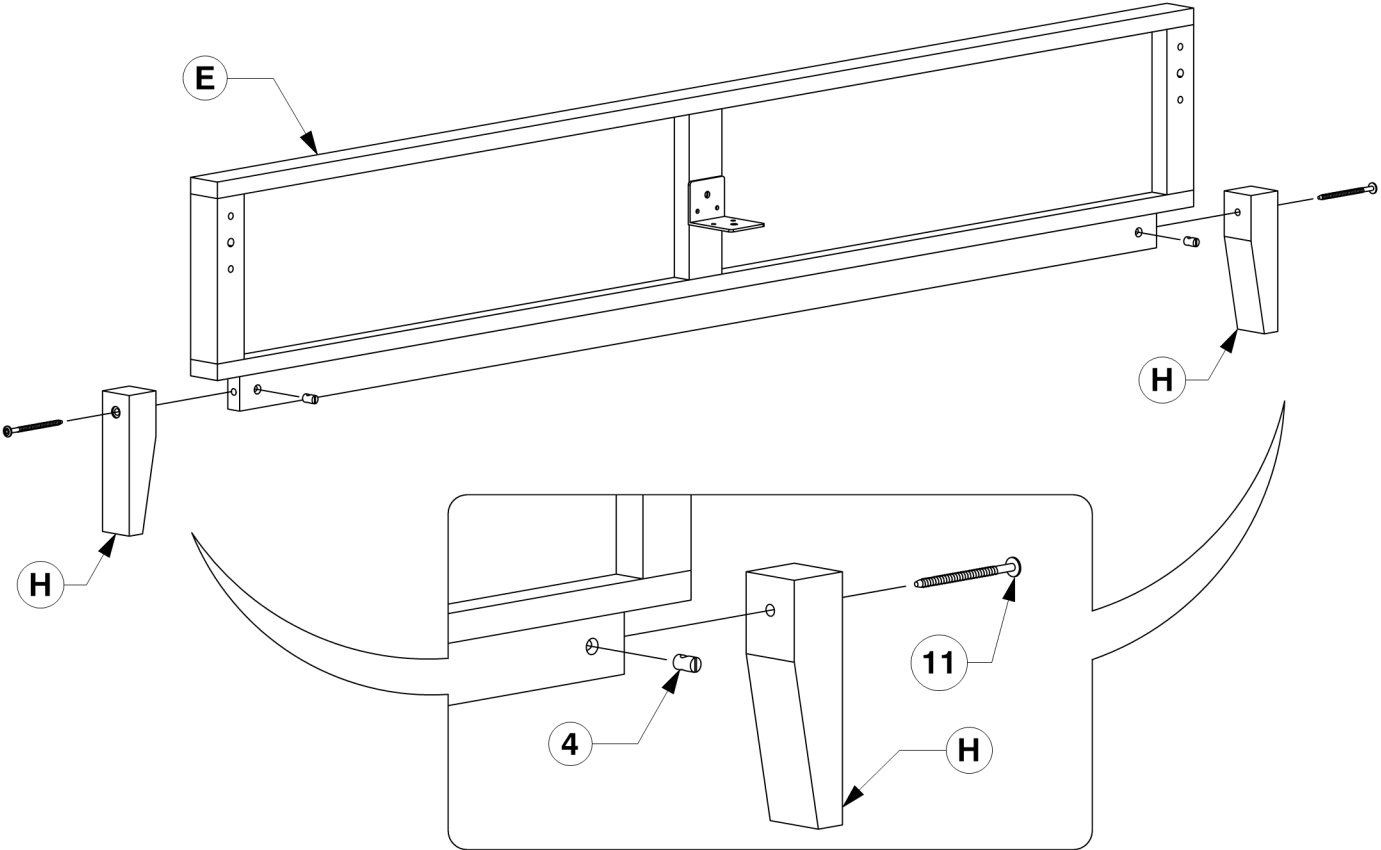
Assembly Instructions

WI-0622

5 Fit the Center Rail Bracket to the Footboard Panel (E).



6 Fit the Footboard Post (H) to the Footboard Panel (E).

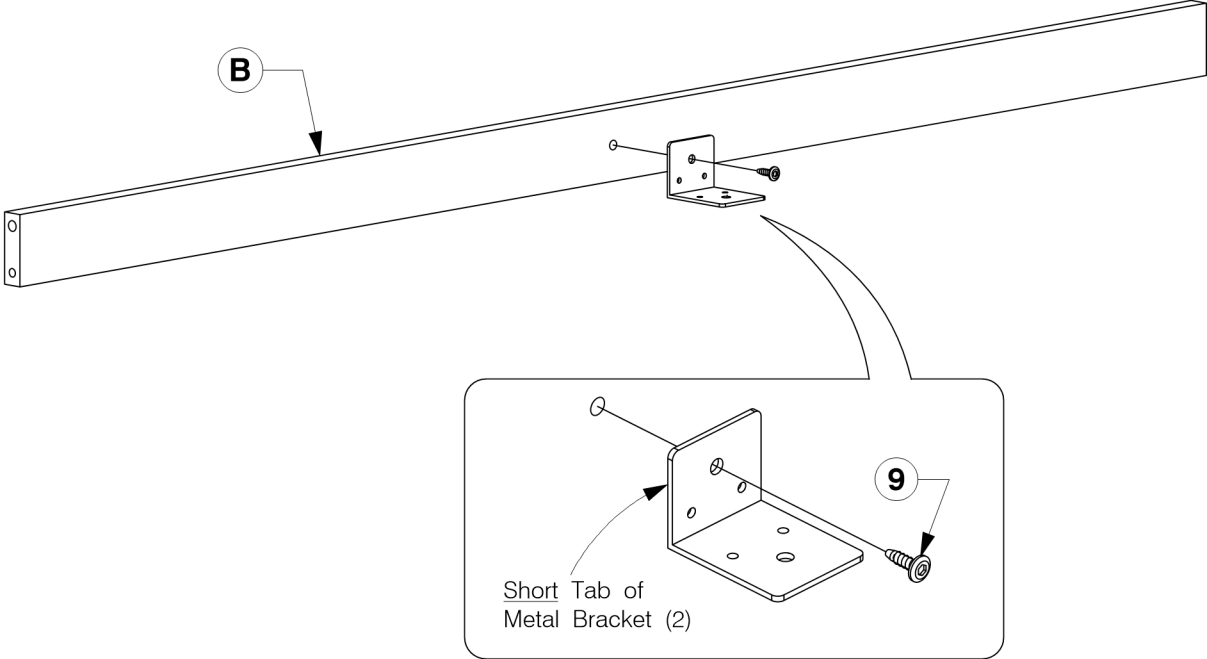


0085 Queen Bed

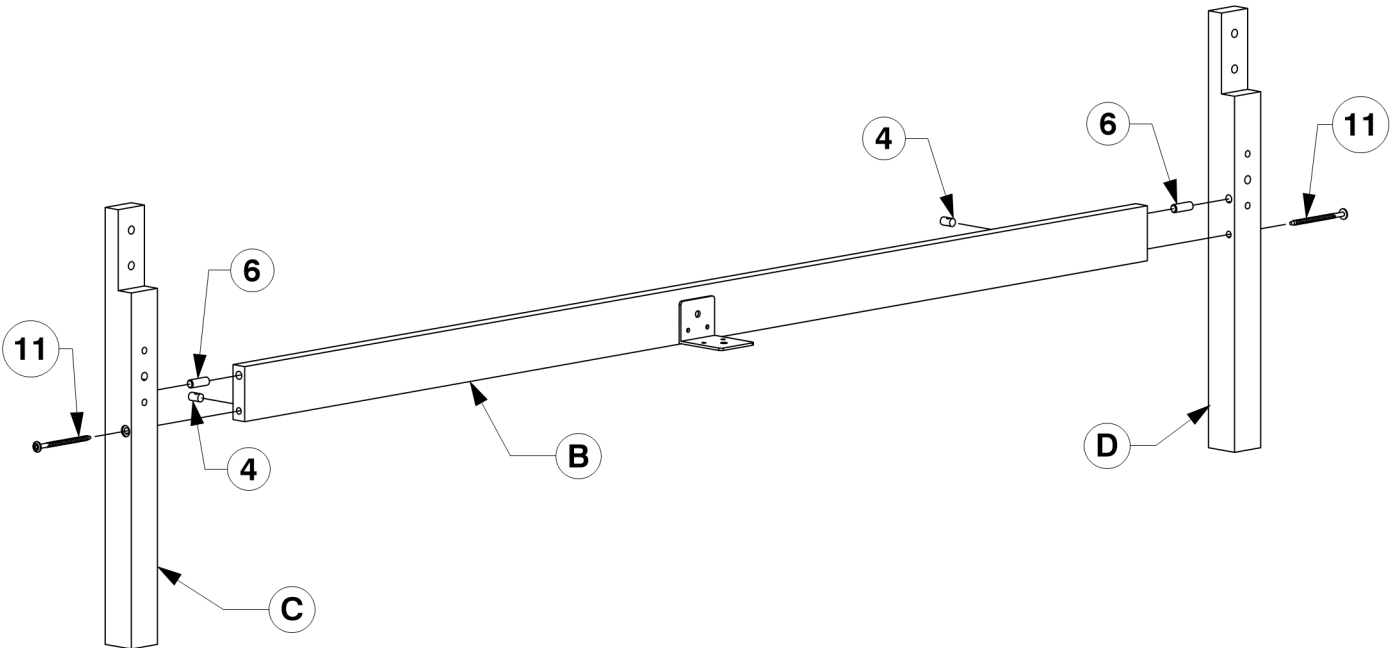
Assembly Instructions

WI-0622

7 Fit the Center Rail Bracket to the Headboard Support (B).



8 Assemble the Headboard Support (B) to the Headboard Post (C & D).

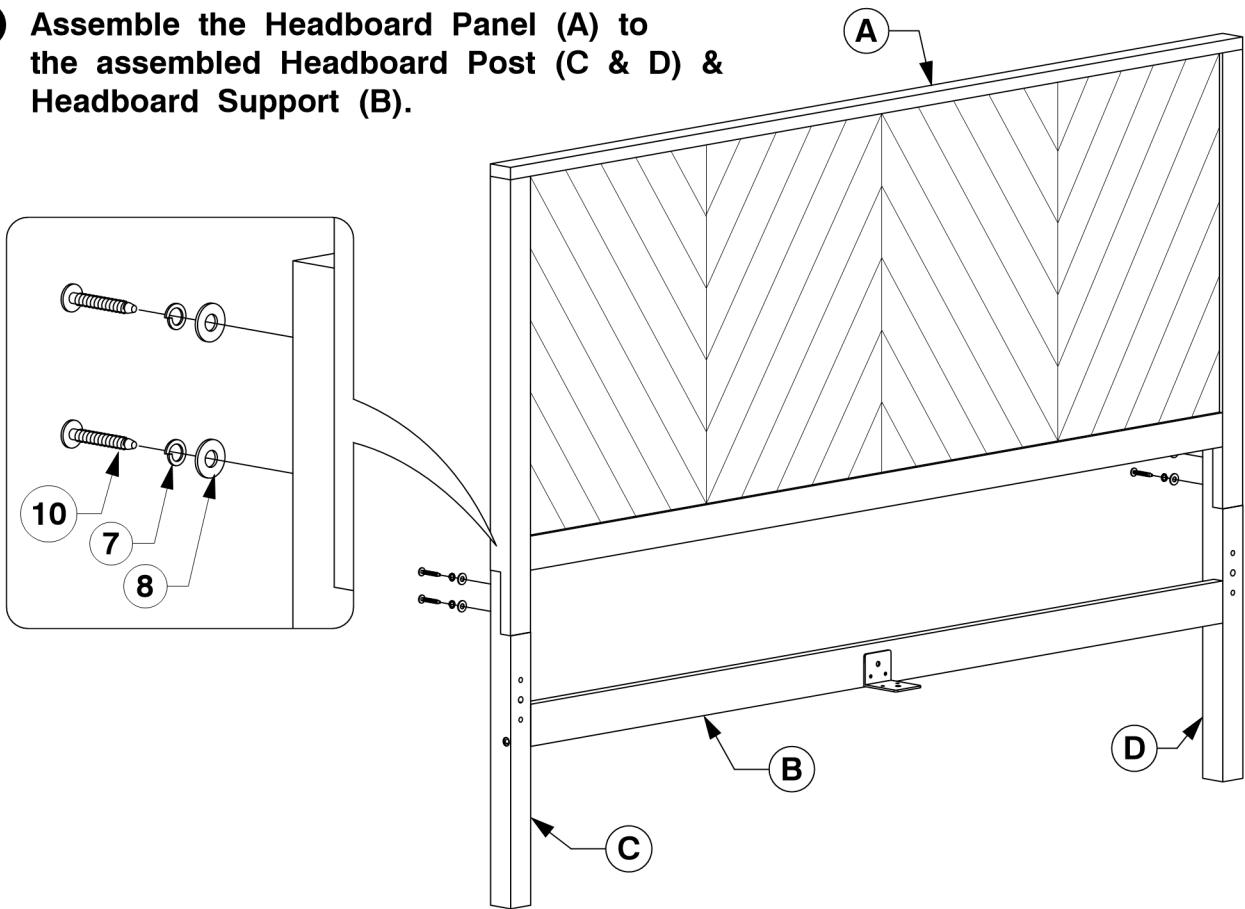


0085 Queen Bed

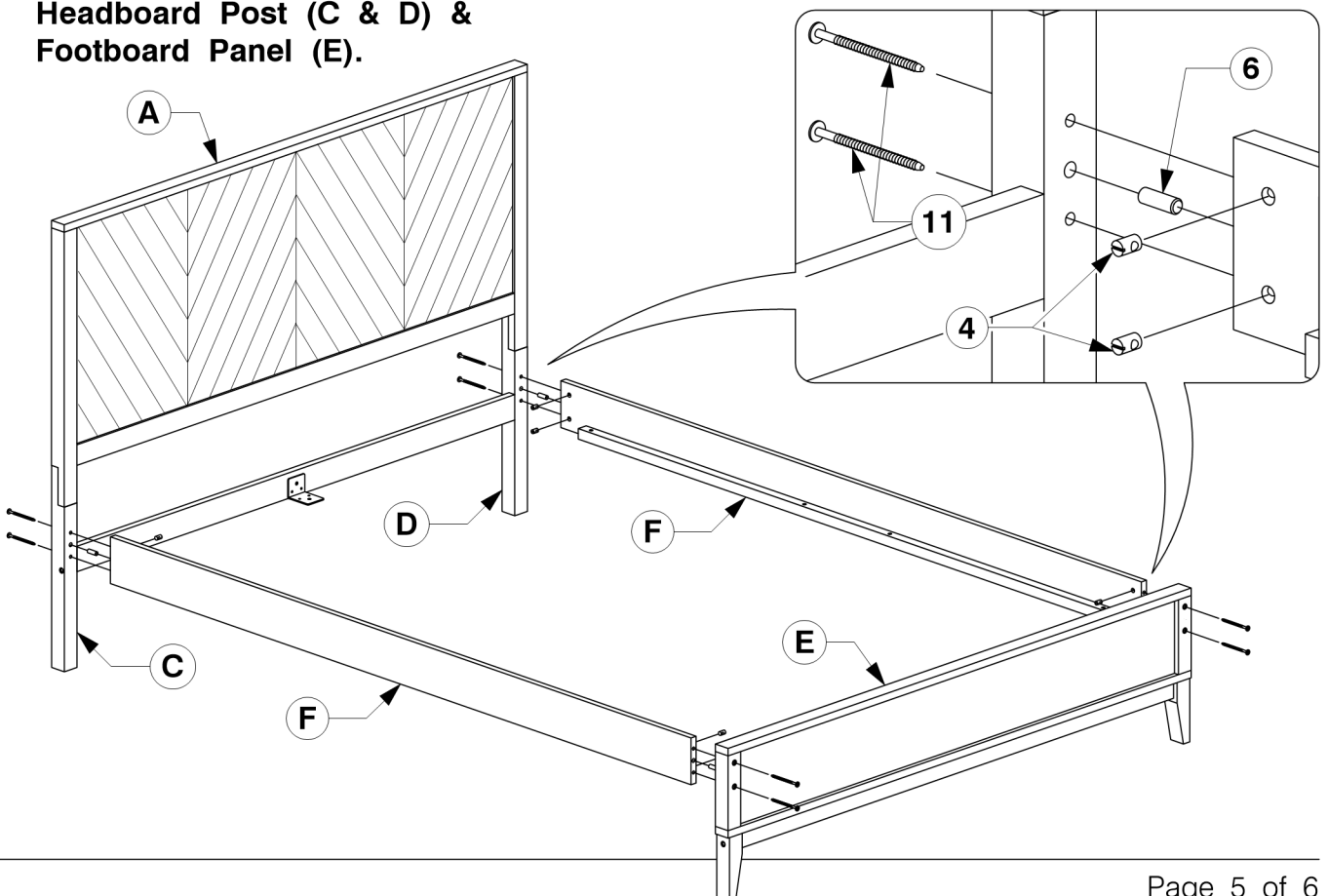
Assembly Instructions

WI-0622

- 9** Assemble the Headboard Panel (A) to the assembled Headboard Post (C & D) & Headboard Support (B).



- 10** Assemble the Side Rail (F) to the Headboard Post (C & D) & Footboard Panel (E).

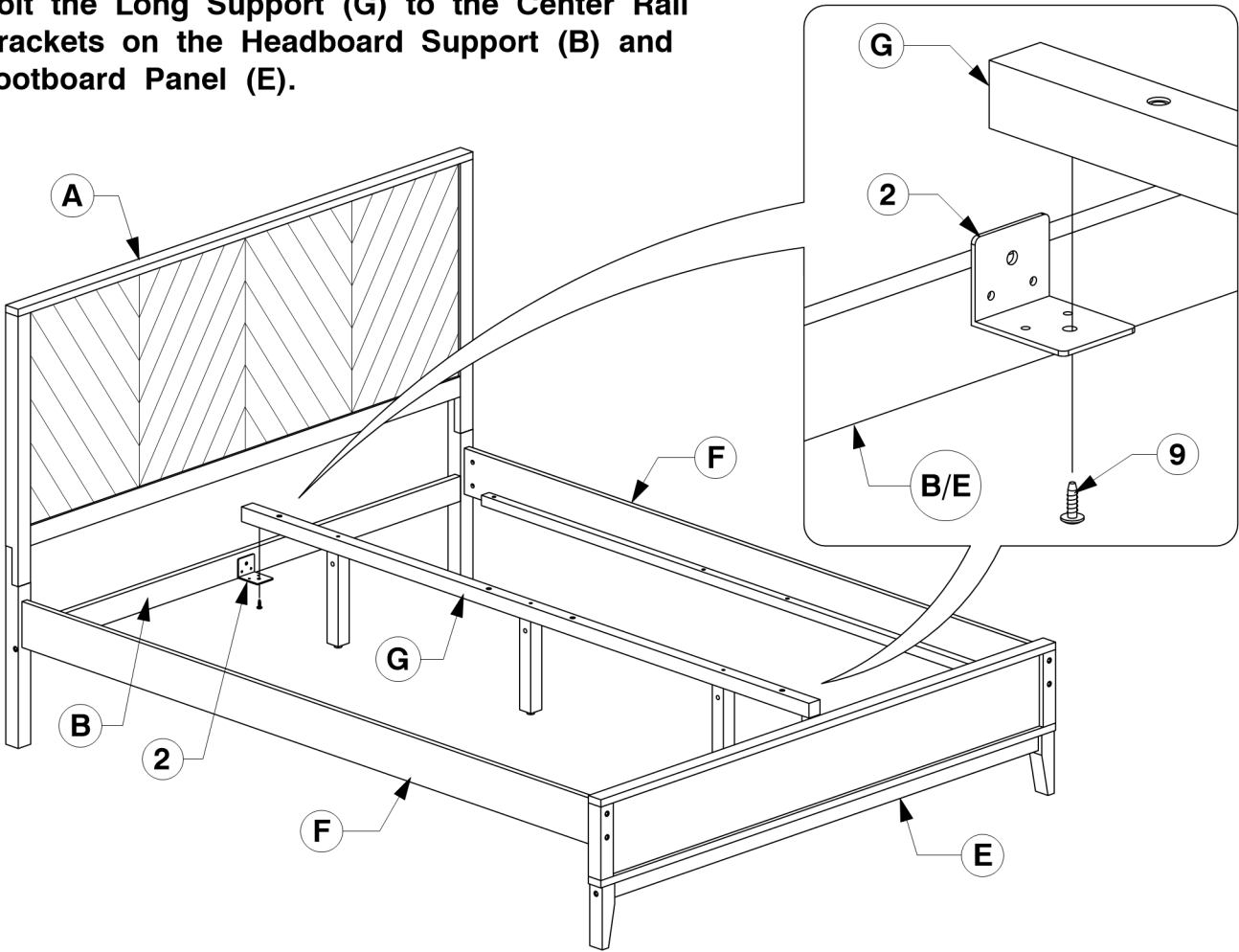


0085 Queen Bed

Assembly Instructions

WI-0821

- 11** Bolt the Long Support (G) to the Center Rail Brackets on the Headboard Support (B) and Footboard Panel (E).



- 12** Bolt & screw the Bed Slats (K) to the Side Rail (F).

