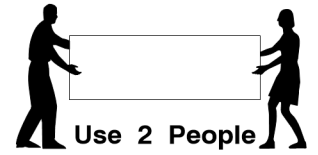
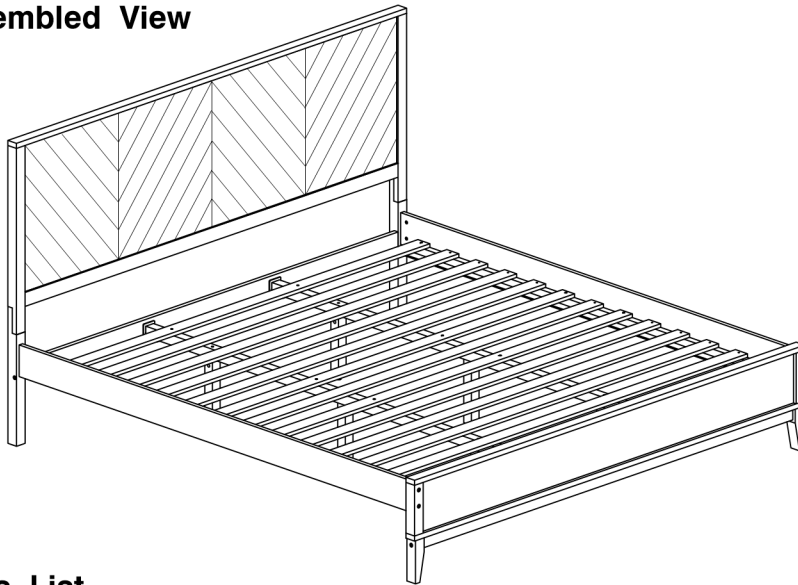


# 0085 King Bed

## Assembly Instructions

WI-0622

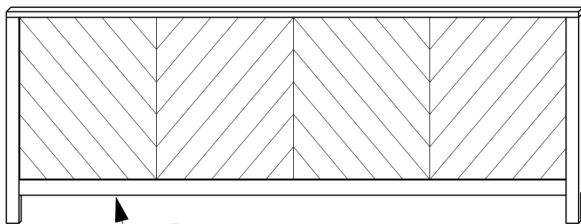
### 1 Assembled View



**Note:** Do not assemble using power tools. This can cause the bolts to be overtightened

### 2 Parts List

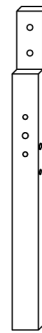
#### Parts in Box A:



**A** Headboard Panel x 1

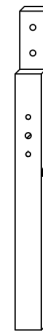


**B** Headboard Support x 1



**C**

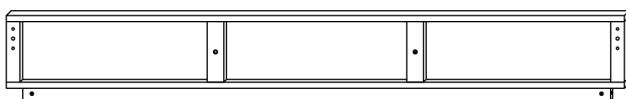
Headboard Post (Left hand) x 1



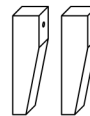
**D**

Headboard Post (Right hand) x 1

#### Parts in Box B:

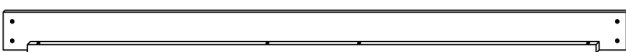


**E** Footboard Panel x 1

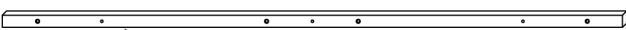


**H**

Footboard Post x 2



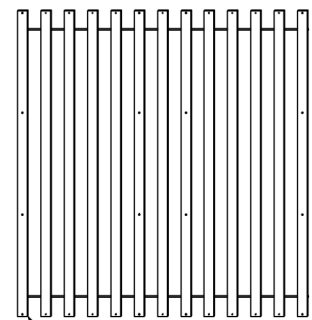
**F** Side Rail x 2



**G** Long Support x 2



**J** Support Leg x 6



**K** Set of Bed Slats x 1

# 0085 King Bed

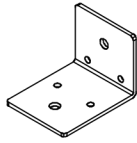
## Assembly Instructions

WI-0622

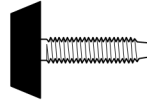
### 3 Hardware List



1 M4 Allen Key  
x 1



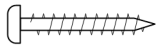
2 Center Rail  
Bracket x 4



3 Adjustable  
Foot x 6



4 Barrel Nut  
x 18



5 Wood Screw  
(M4 x 32mm) x 18



6 Wood Dowel  
(10 x 40mm) x 6



7 Spring Washer  
x 4



8 Flat Washer  
x 4



9 M6 x 15mm JCB  
x 8



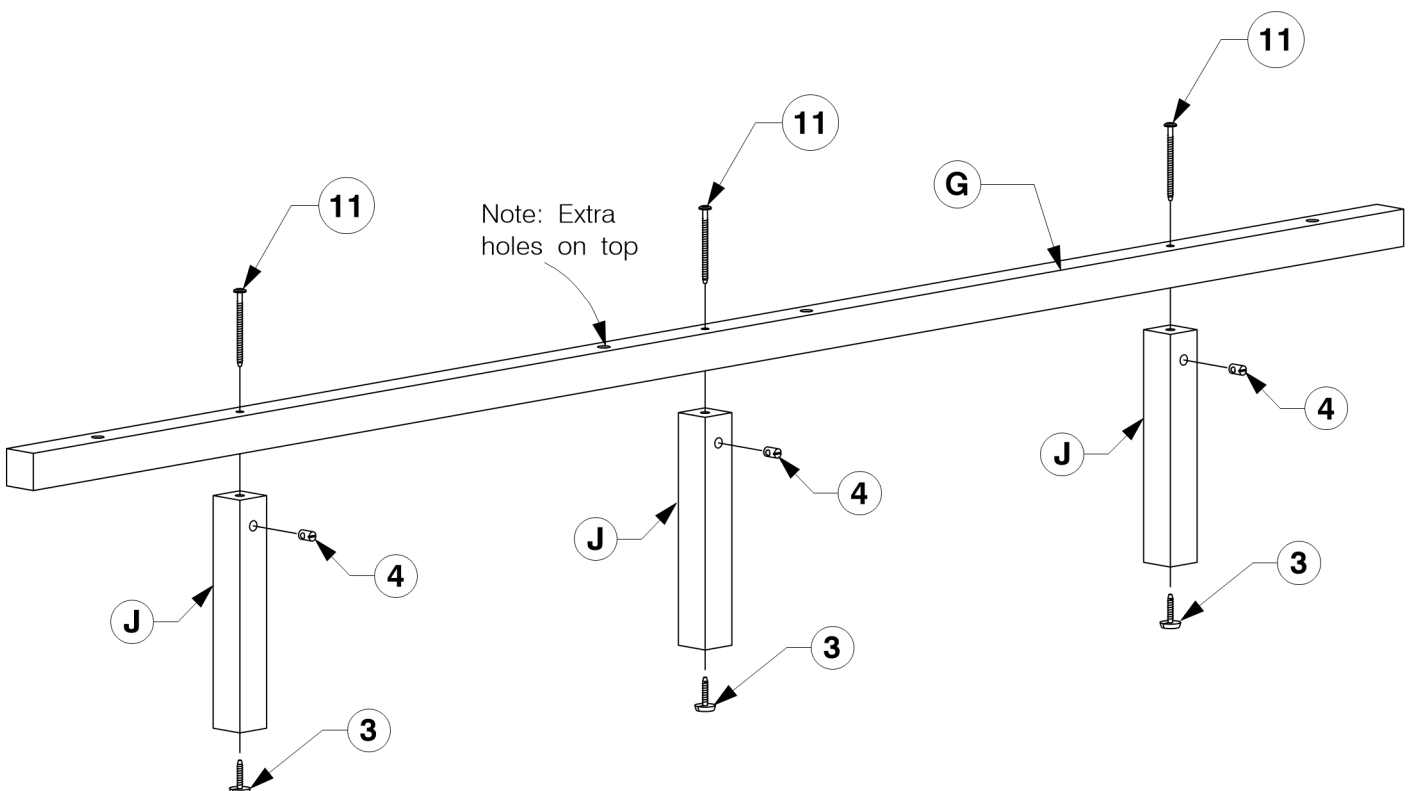
10 M6 x 40mm JCB  
x 20



11 M6 x 90mm JCB  
x 18

### 4 Assembled the Support Leg (J) to the Long Support (G).

x2

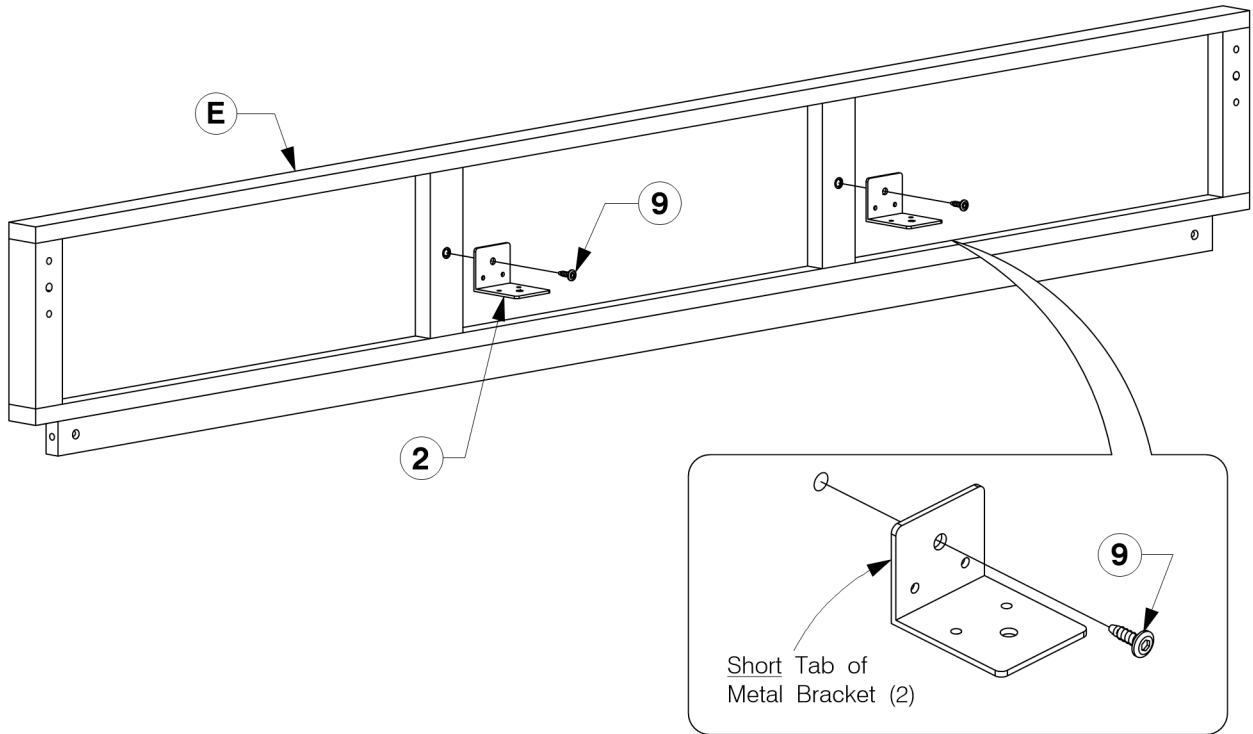


# 0085 King Bed

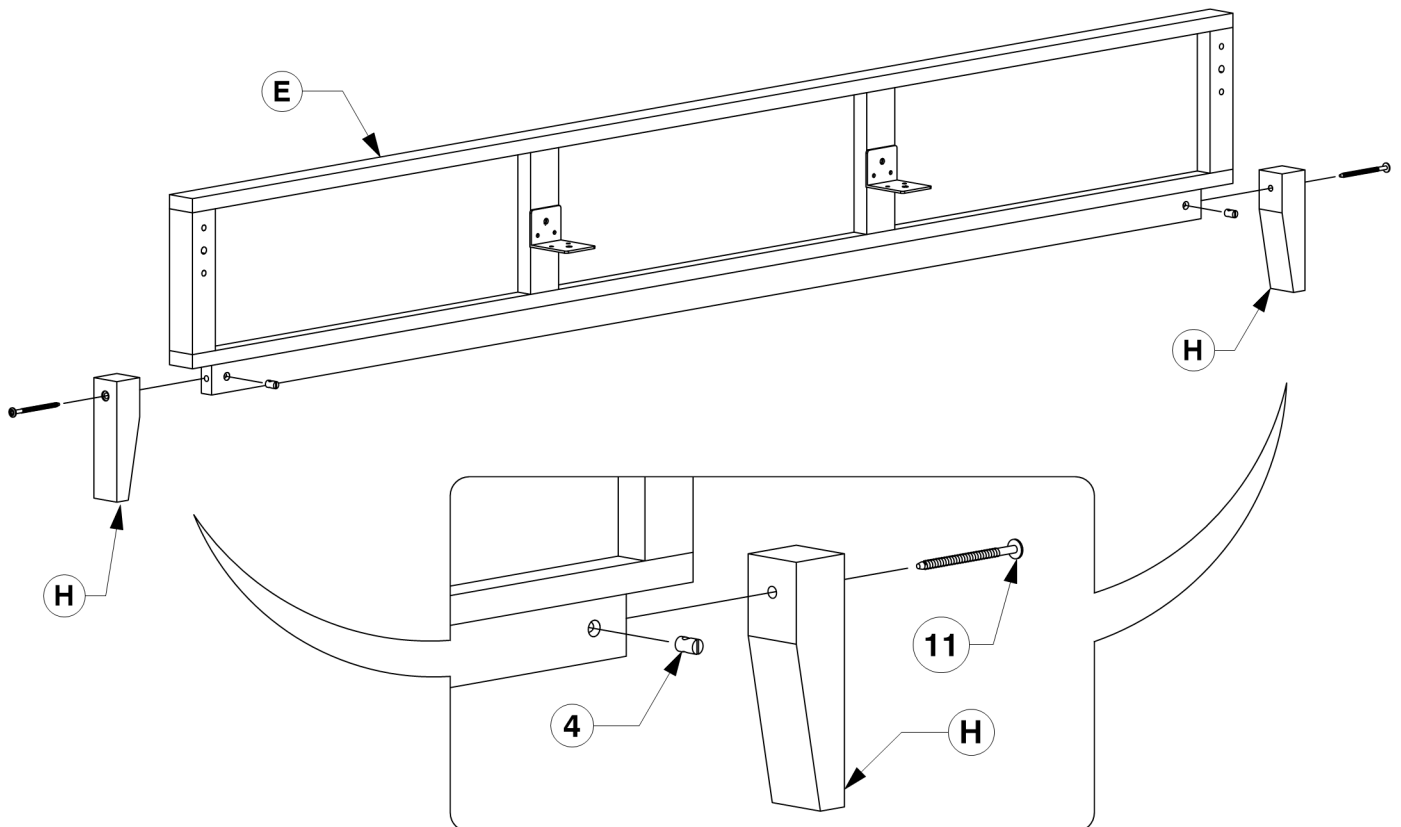
Assembly Instructions

WI-0622

## 5 Fit the Center Rail Bracket to the Footboard Panel (E).



## 6 Fit the Footboard Post (H) to the Footboard Panel (E).

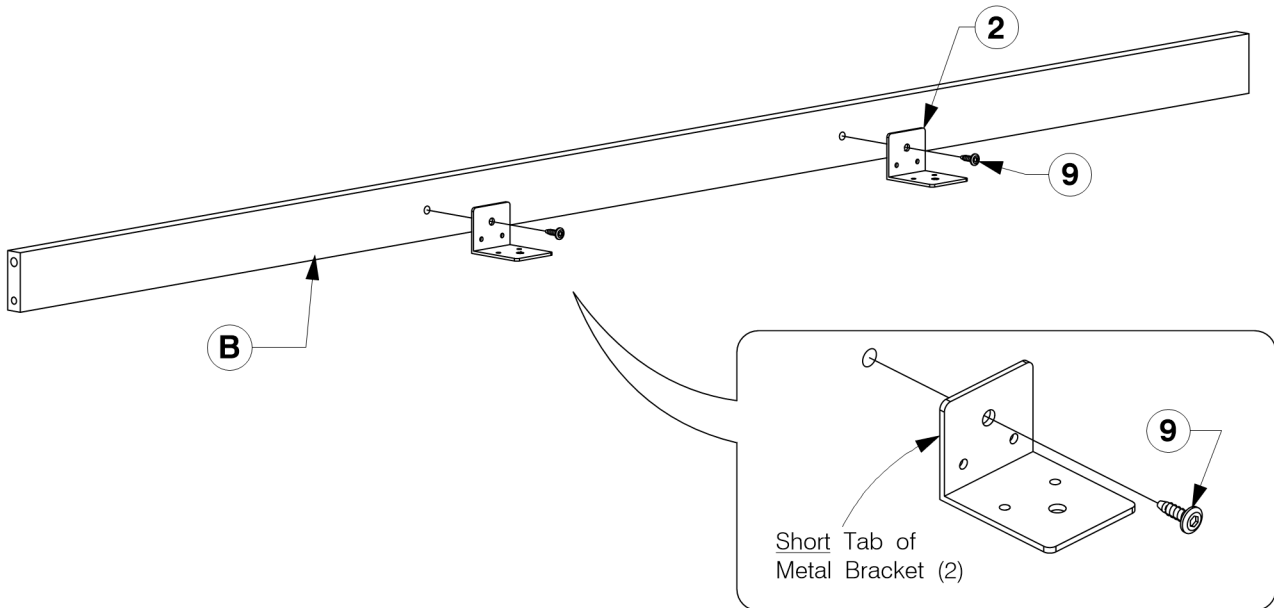


# 0085 King Bed

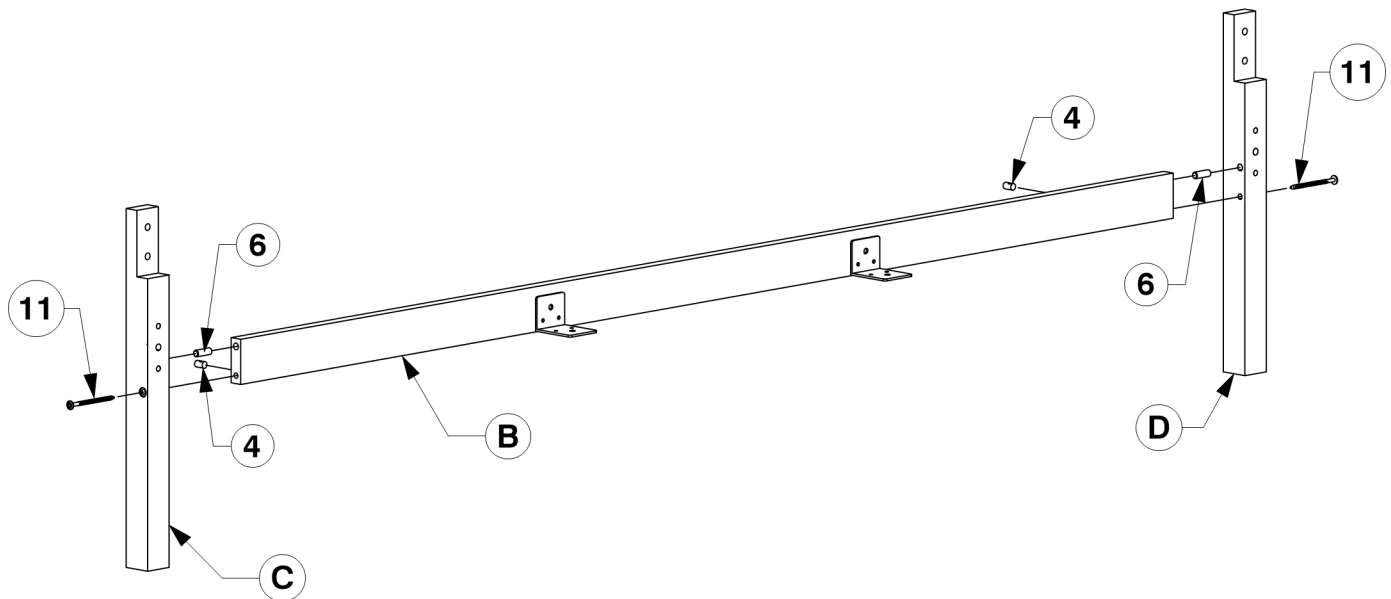
## Assembly Instructions

WI-0622

- 7** Fit the Center Rail Bracket to the Headboard Support (B).



- 8** Assemble the Headboard Support (B) to the Headboard Post (C & D).

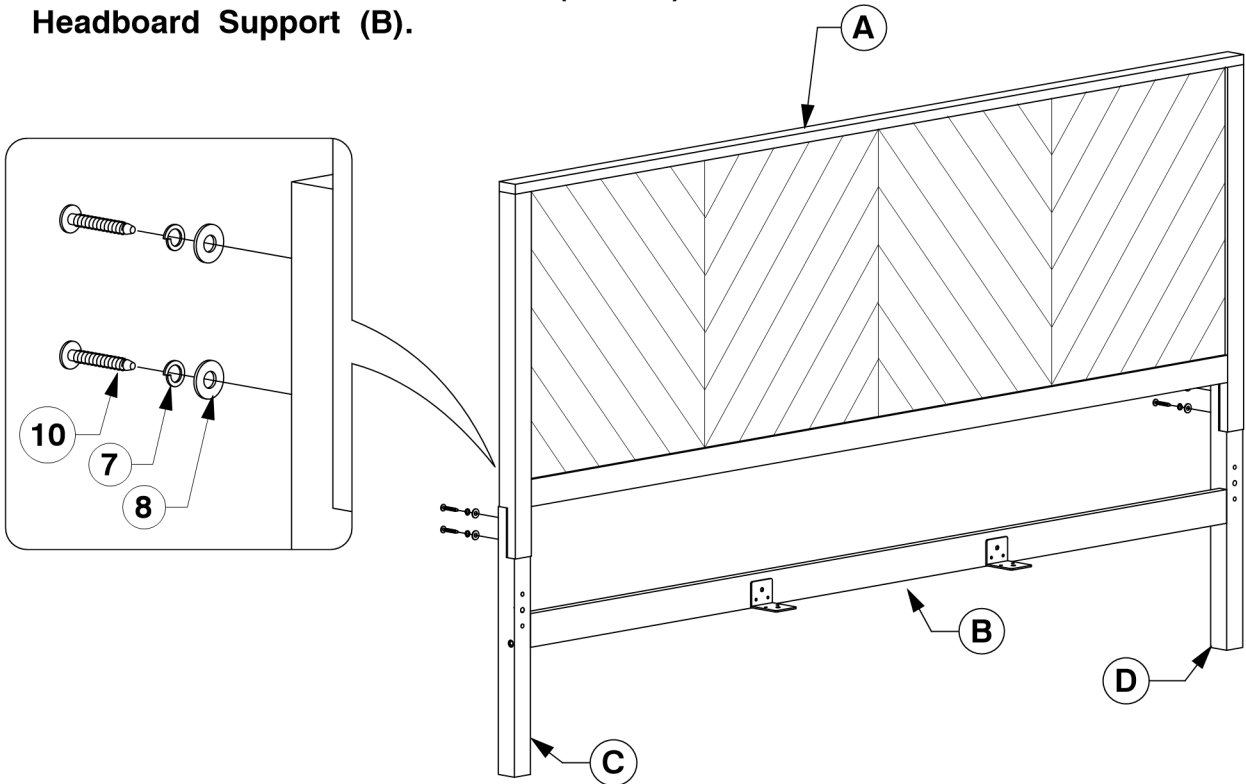


# 0085 King Bed

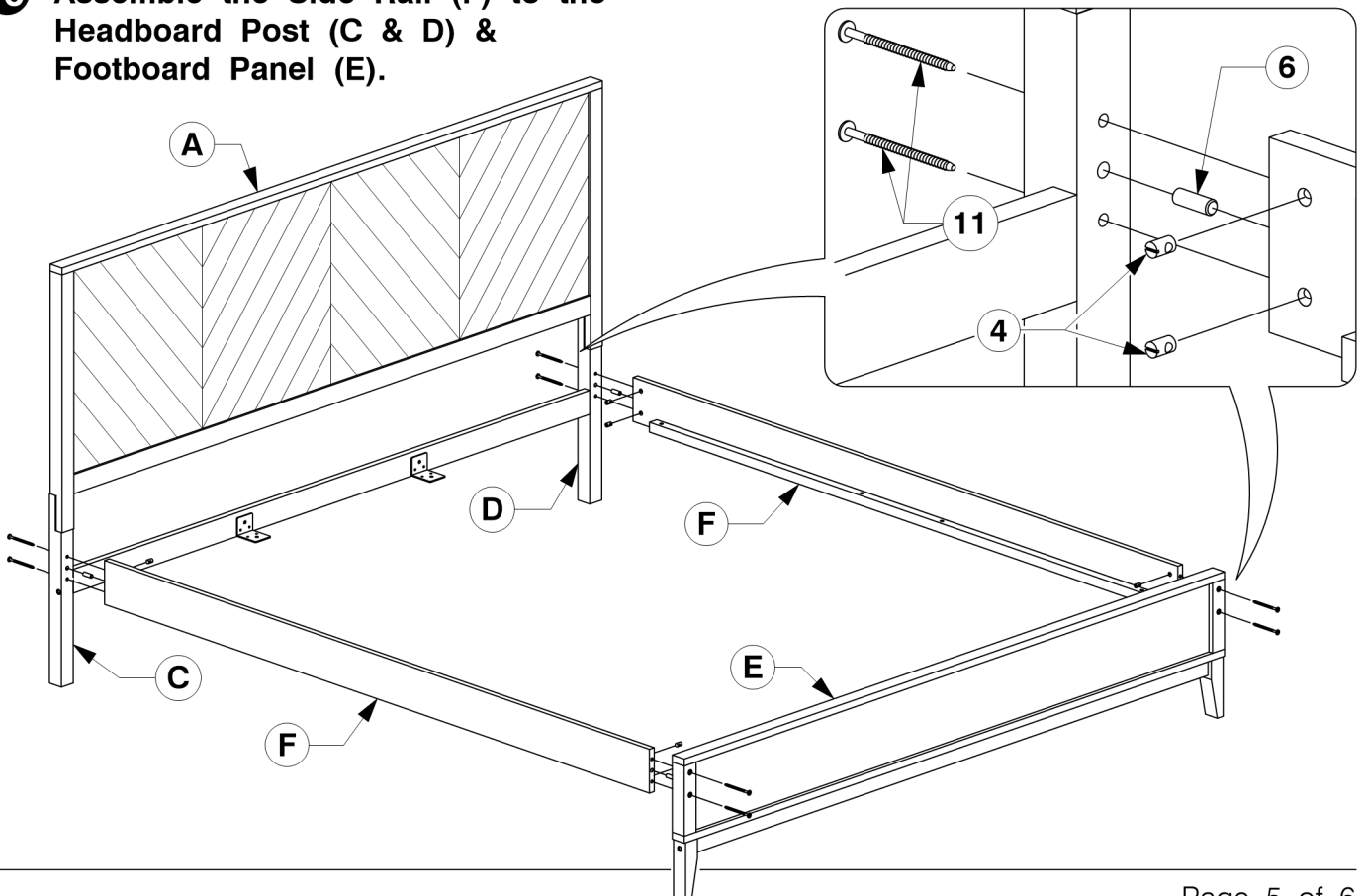
## Assembly Instructions

WI-0622

- 9** Assemble the Headboard Panel (A) to the assembled Headboard Post (C & D) & Headboard Support (B).



- 10** Assemble the Side Rail (F) to the Headboard Post (C & D) & Footboard Panel (E).

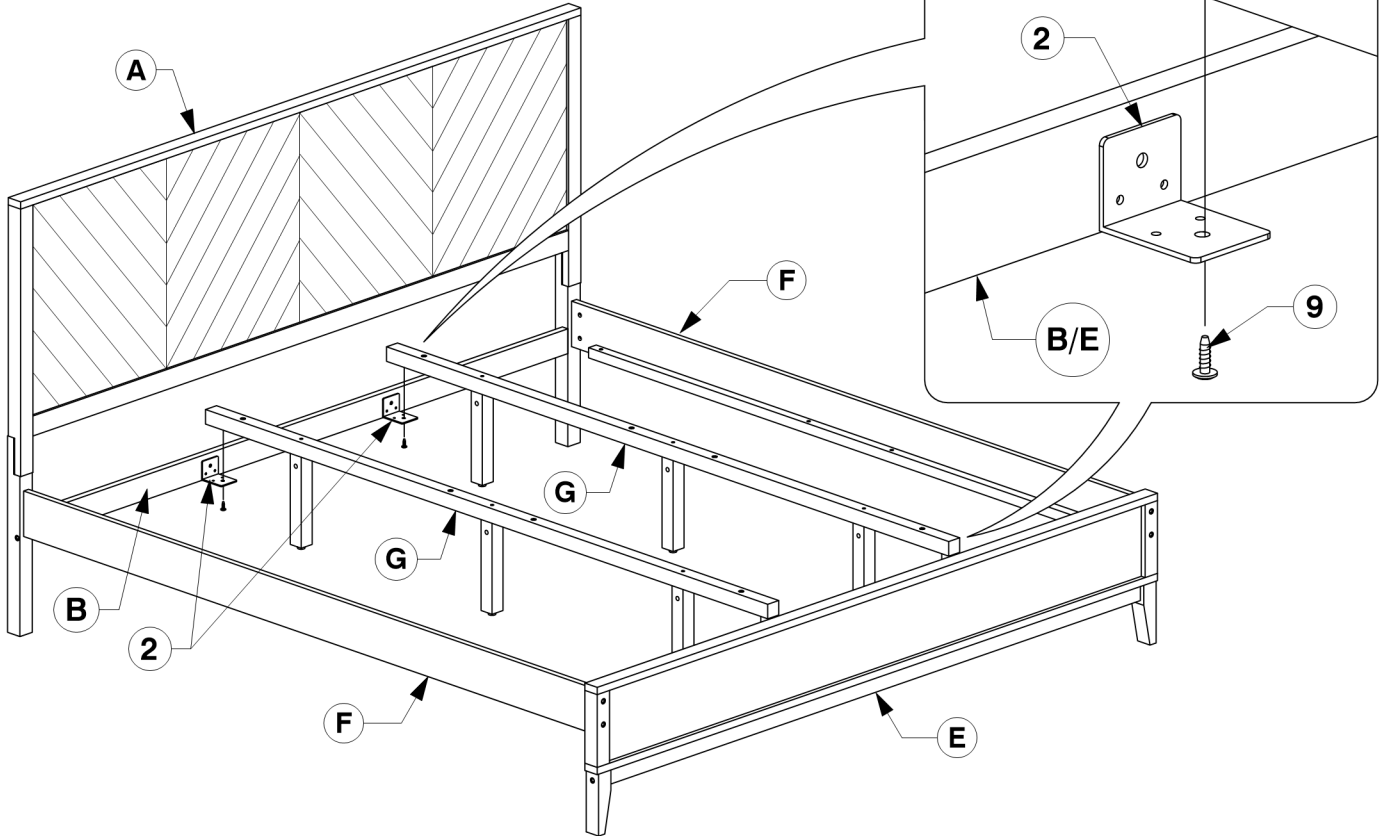


# 0085 King Bed

Assembly Instructions

WI-0622

- 11** Bolt the Long Support (G) to the Center Rail Brackets on the Headboard Support (B) and Footboard Panel (E).



- 12** Bolt & screw the Bed Slats (K) to the Side Rail (F).

