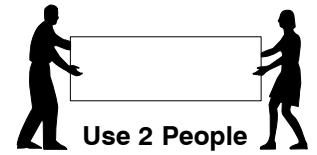
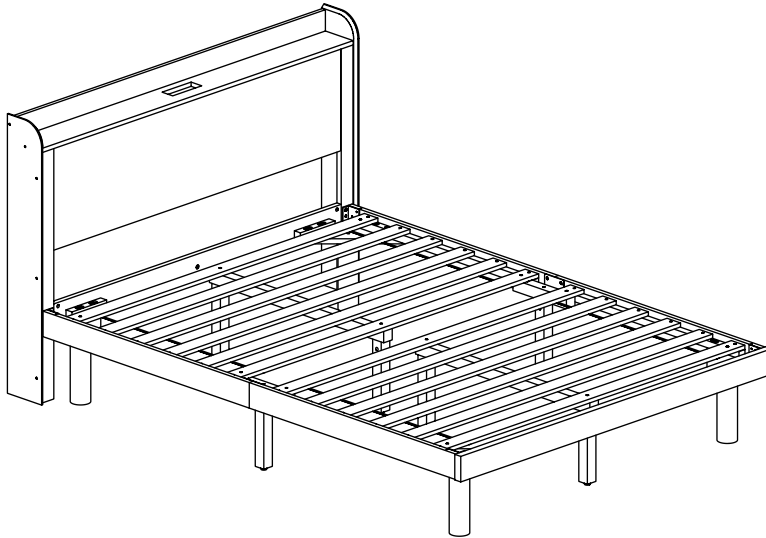


0081 S Full Bed

Assembly Instructions

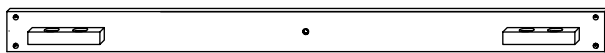
WI-0421

1 Assembled View

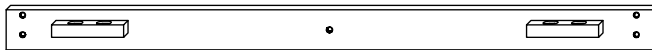


Note: Do not assemble using power tools. This can cause the bolts to be overtightened

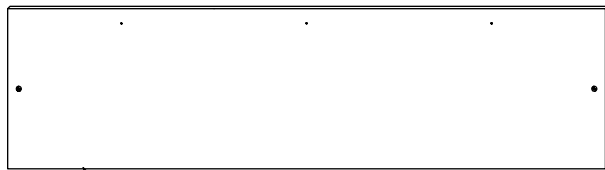
2 Parts List



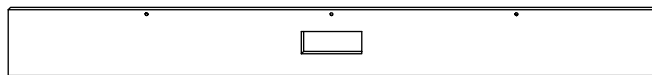
A Headboard Support x 1



B Footboard Panel x 1



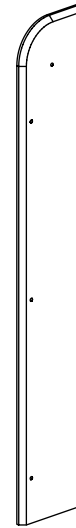
C Front Panel x 1



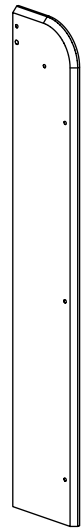
D Bottom Panel x 1



E Back Panel x 1



F Headboard Side Panel (Left Hand) x 1



G Headboard Side Panel (Right Hand) x 1



H Headboard Post (Left Hand) x 1



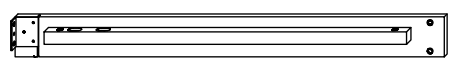
J Headboard Post (Right Hand) x 1

0081 S Full Bed

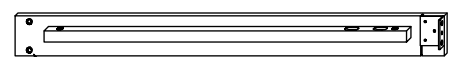
Assembly Instructions

WI-0421

2 Part List



K Side Rail (Left Hand) x 2



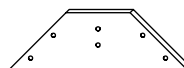
L Side Rail (Right Hand) x 2



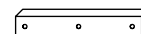
M Post x 4



N Support Leg x 6



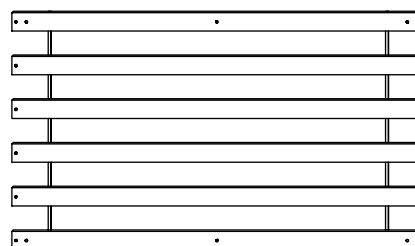
O Support Panel x 4



P Support Bar x 2



Q Long Support x 2



R Set of Bed Slats x 2

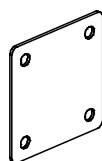
3 Hardware List



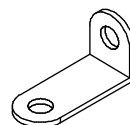
1 M4 Allen Key x 1



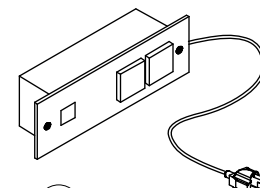
2 M5 Allen Key x 1



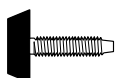
3 Metal Plate x 2



4 'L' Bracket (5003) x 3



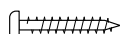
5 Plug x 1



6 Adjustable Foot x 6



7 Wood Screw (M4 x 16mm) x 8



8 Wood Screw (M4 x 32mm) x 16



9 CSK Cap Wood Screw (M6 x 50mm) x 13



10 Wood Dowel (M8 x 30mm) x 6



11 Wood Dowel (M10 x 40mm) x 2



12 Barrel Nut x 12



13 Spring Washer x 24



14 M6 Flat Washer x 34



15 M6 JCN Nut x 4



16 M8 Flat Washer x 4



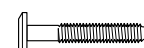
17 M8 x 50mm JCB x 8



18 M6 x 15mm JCB x 8



19 M6 x 20mm JCB x 8



20 M6 x 40mm JCB x 8



21 M6 x 50mm JCB x 20



22 M6 x 90mm JCB x 8



23 M6 x 100mm JCB x 4

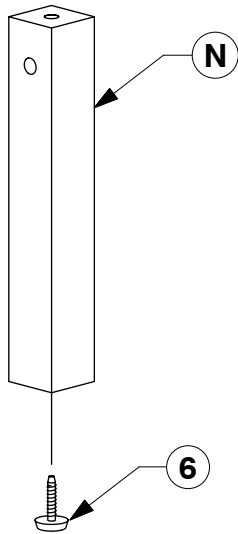
0081 S Full Bed

Assembly Instructions

WI-0421

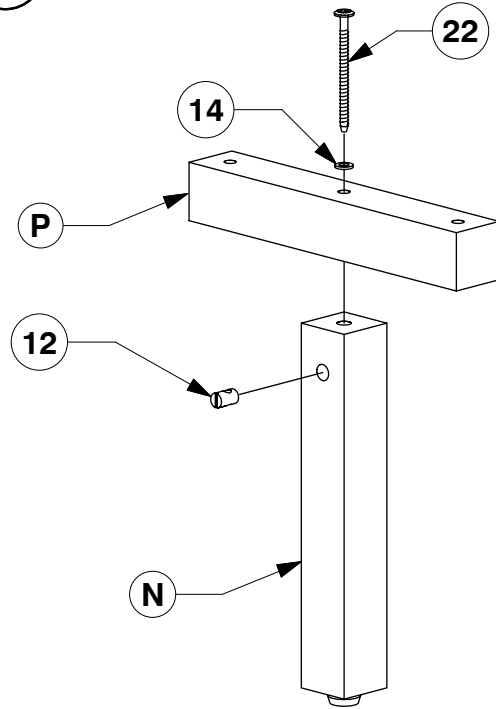
- 4** Fit the Adjustable foot to the bottom of the Support Leg (N).

x6

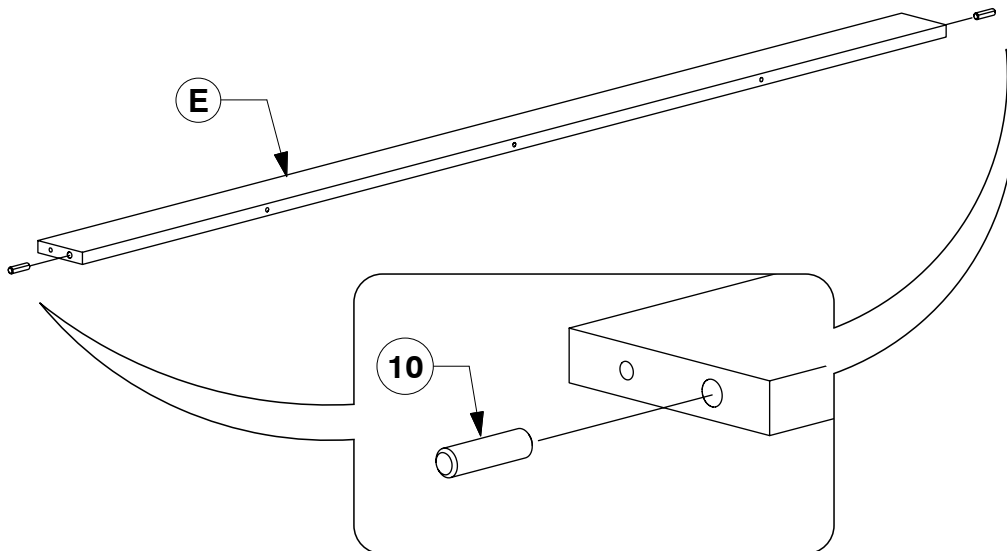


- 5** Fit the Support Bar (P) to the Support Leg (N).

x2



- 6** Fit the Wood Dowel to the each end of the Back Panel (E).

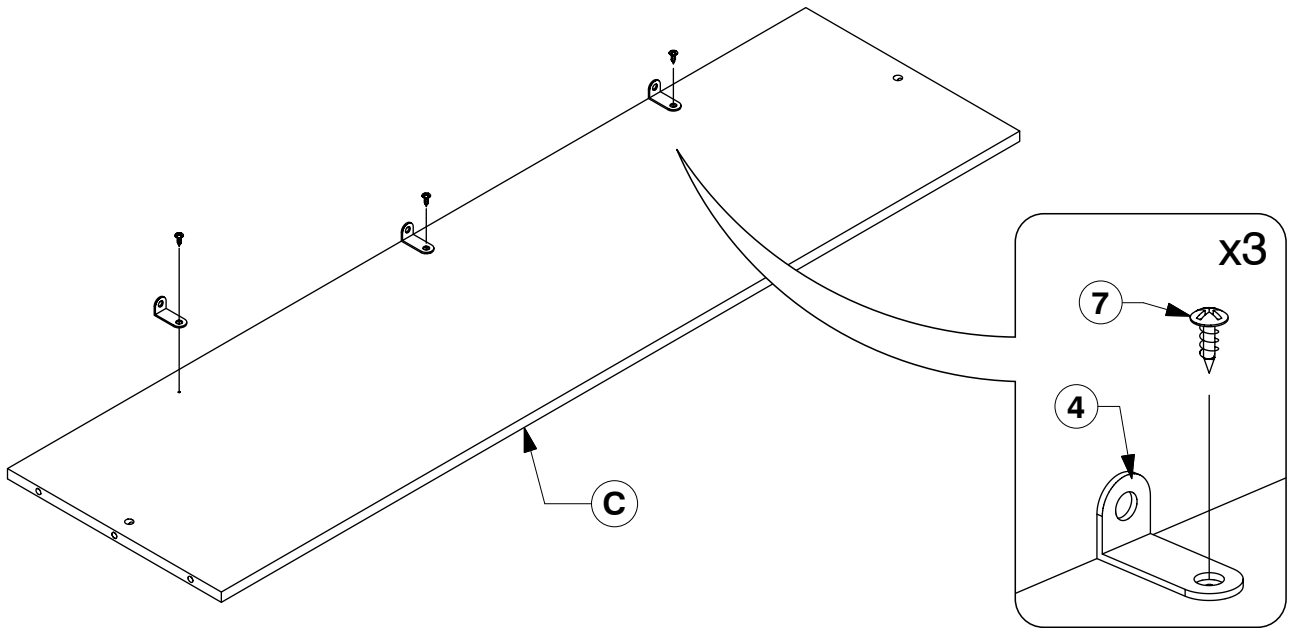


0081 S Full Bed

Assembly Instructions

WI-0421

7 Fix the 'L' Bracket to the Front Panel (C).



8 Assemble the Headboard Post (H & J) to the Front Panel (C) and Headboard Support (A).

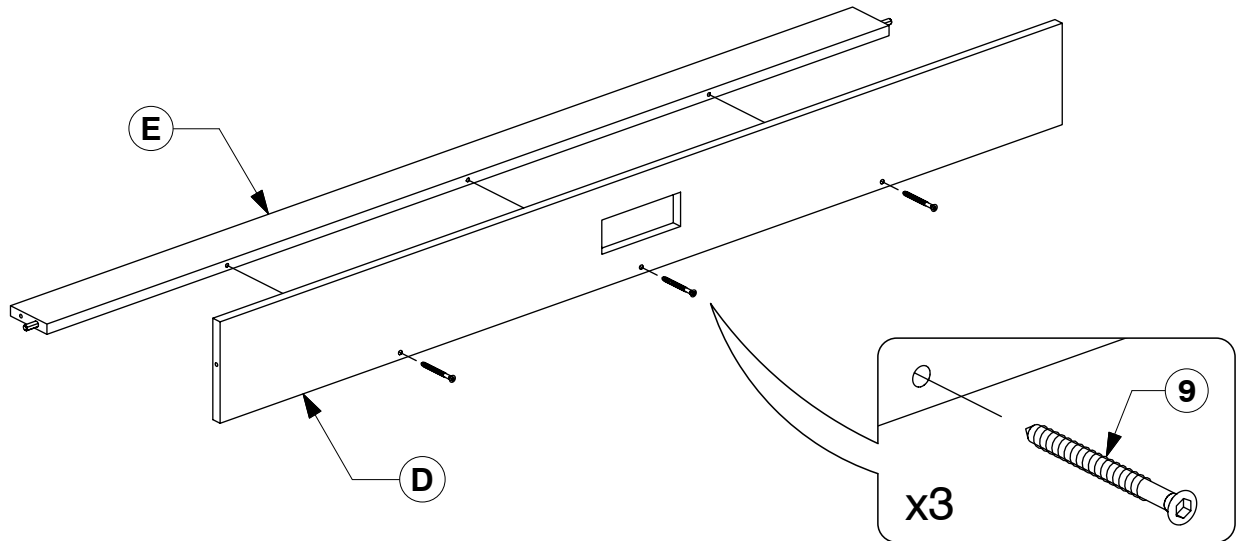


0081 S Full Bed

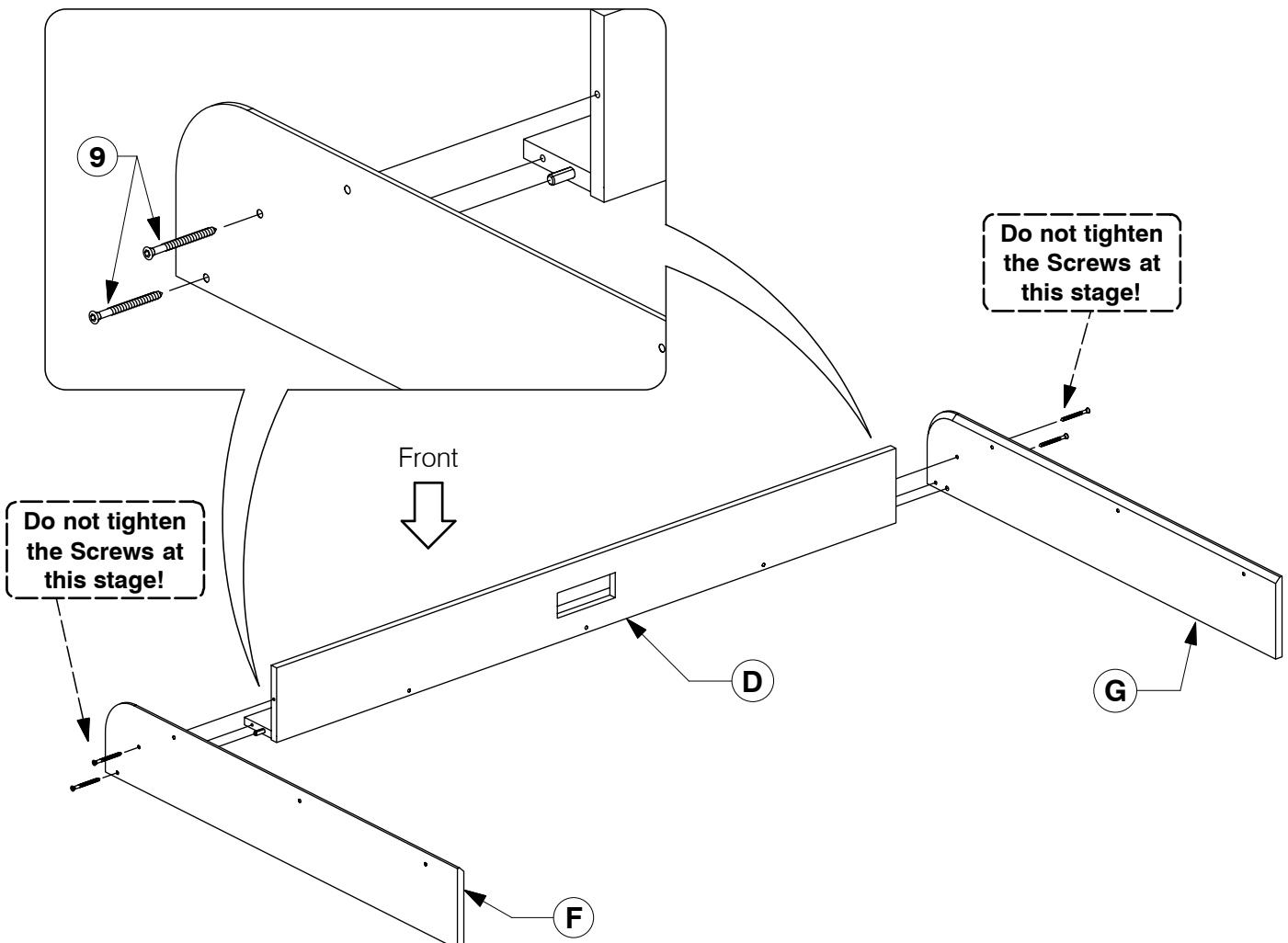
Assembly Instructions

WI-0421

- 9** Fit the Back Panel (E) to the Bottom Panel (D).



- 10** Assembled the Headboard Side Panel (F & G) **LOOSELY** to the Bottom Panel (D). It is important that these screws are left loose!

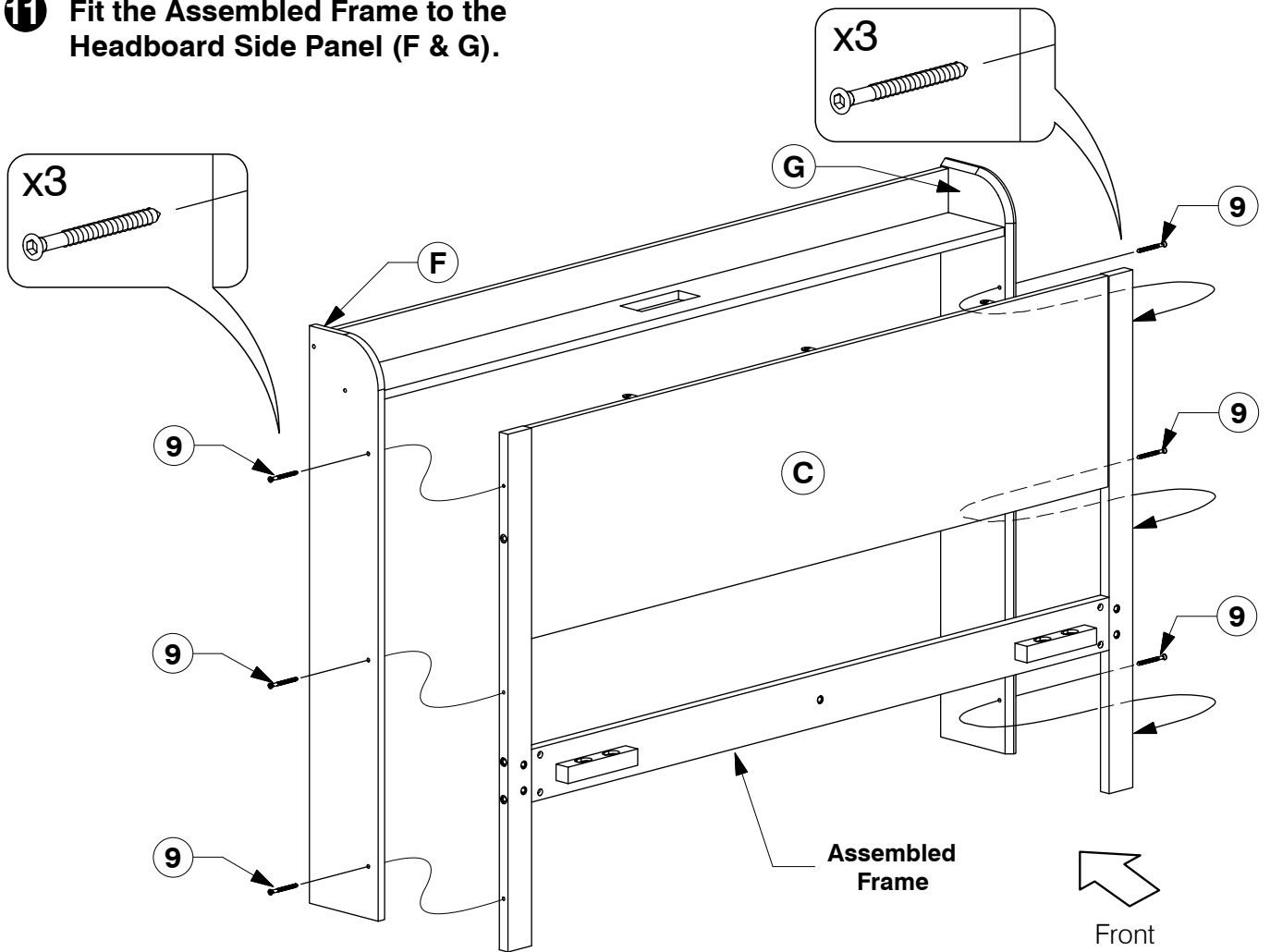


0081 S Full Bed

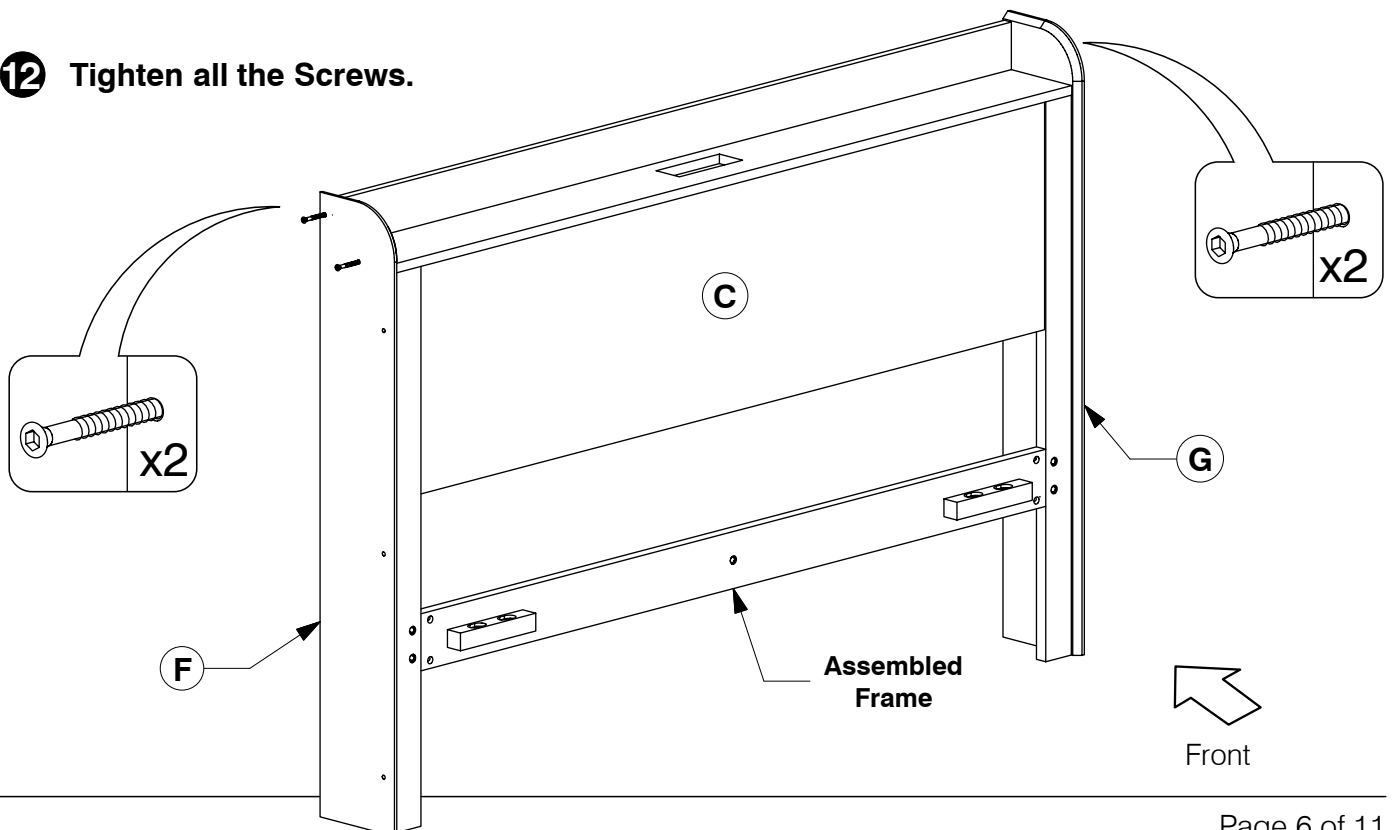
Assembly Instructions

WI-0421

- 11** Fit the Assembled Frame to the Headboard Side Panel (F & G).



- 12** Tighten all the Screws.

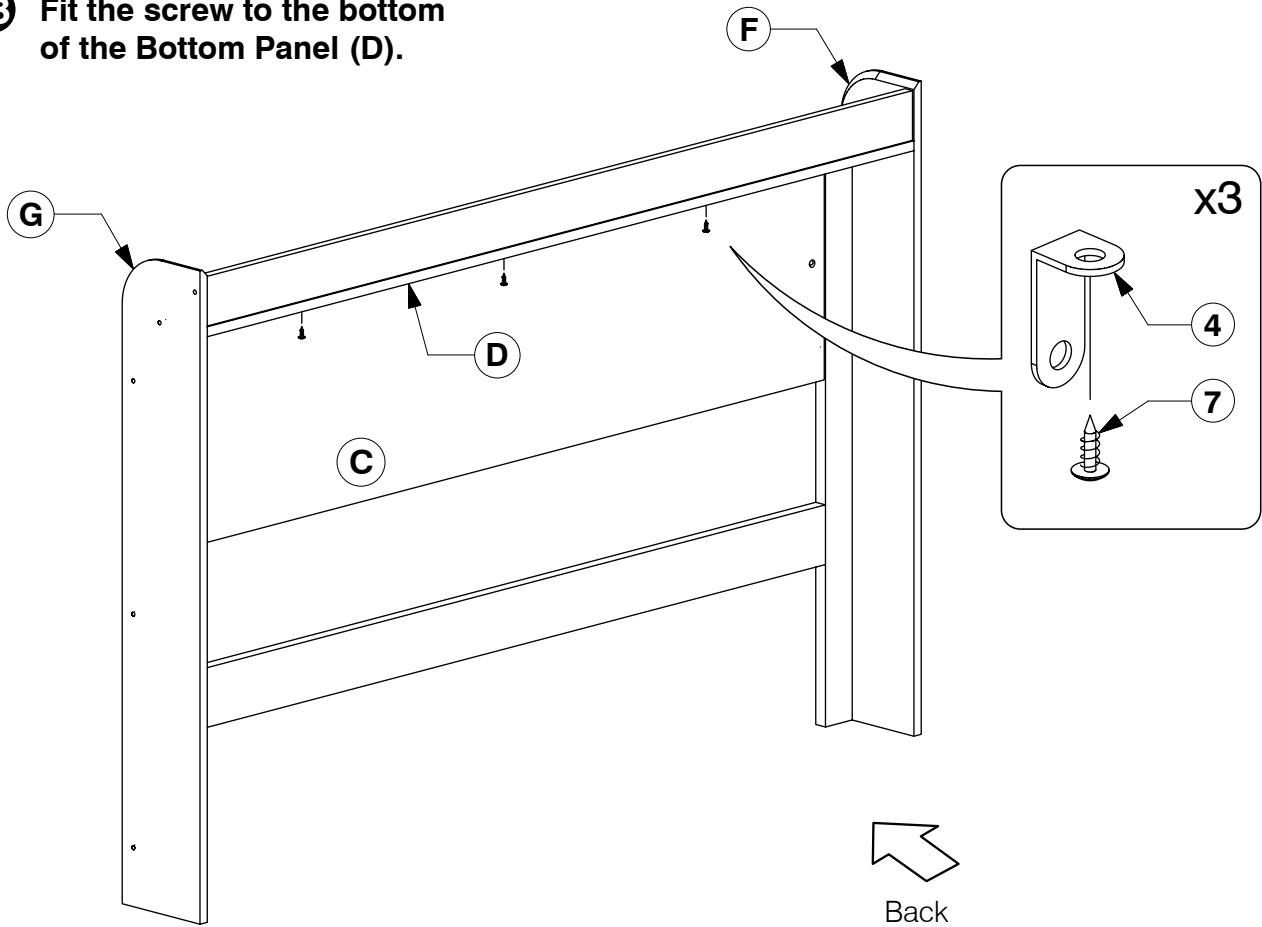


0081 S Full Bed

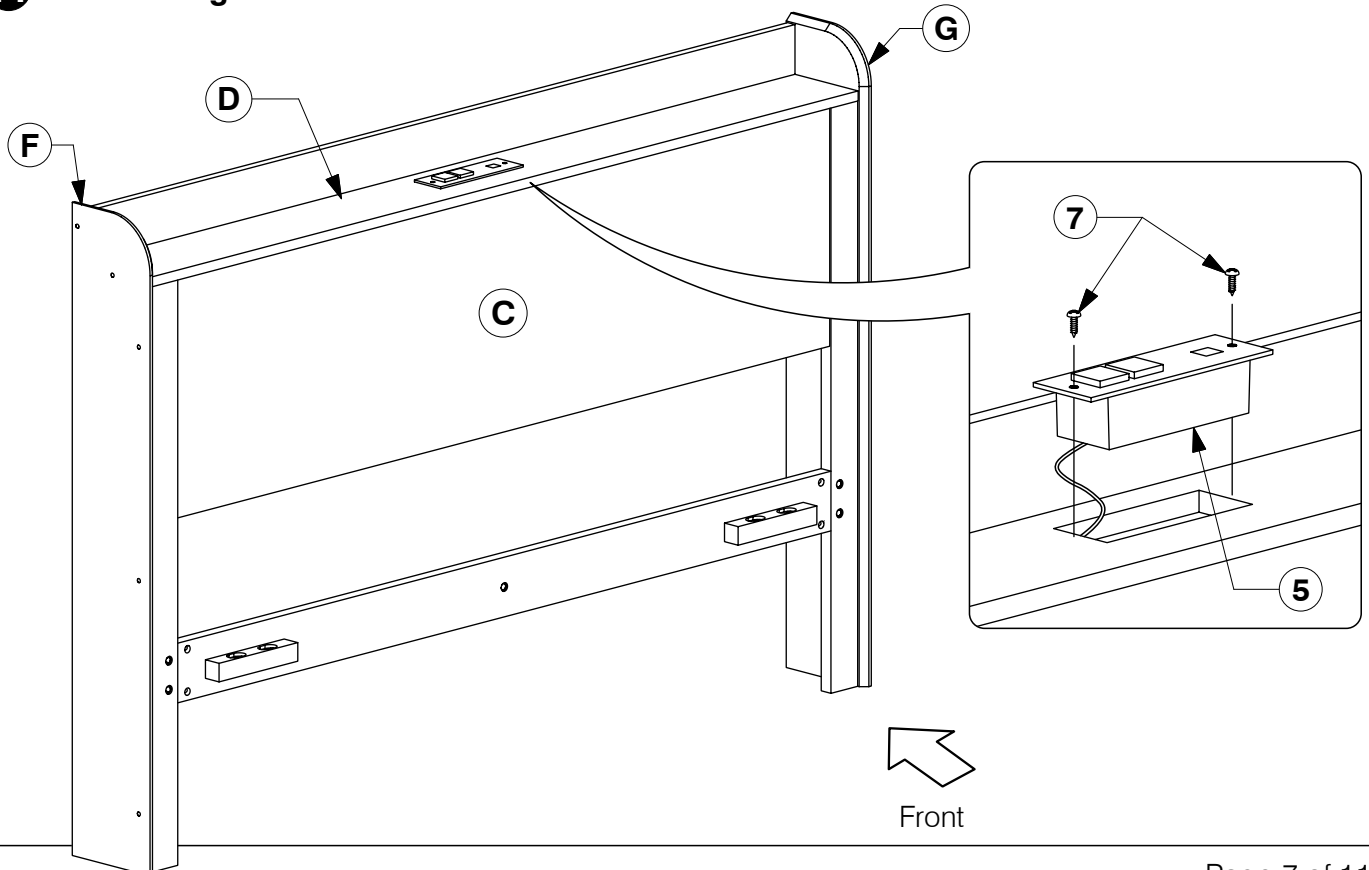
Assembly Instructions

WI-0421

- 13** Fit the screw to the bottom of the Bottom Panel (D).



- 14** Fit the Plug into the cut-out holes.



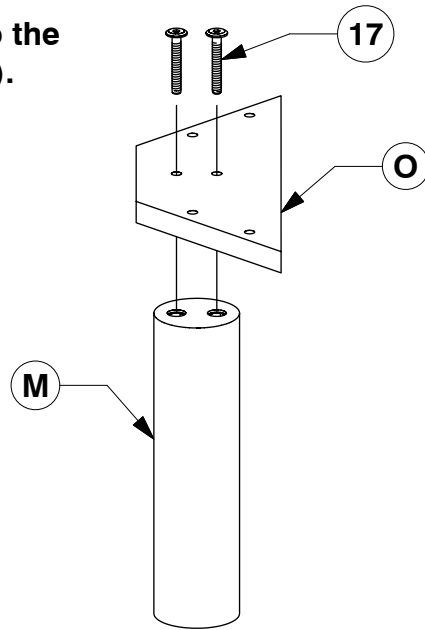
0081 S Full Bed

Assembly Instructions

WI-0421

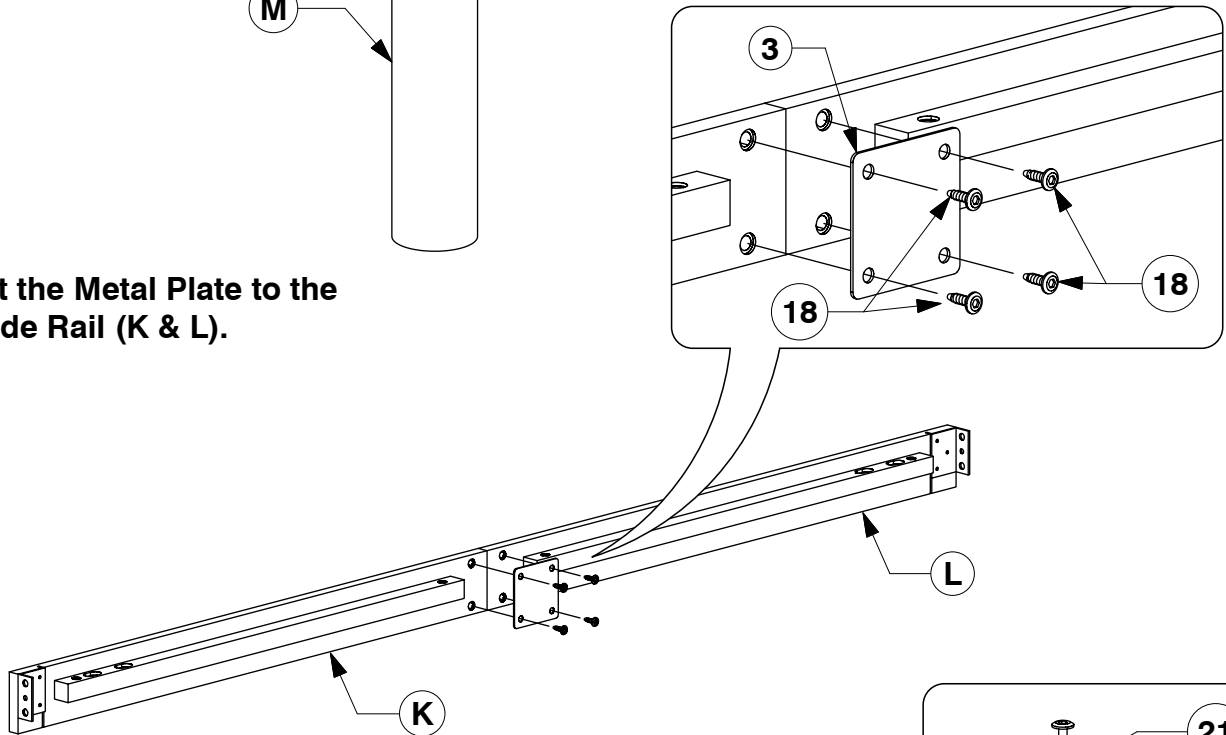
- 15** Fit the Post (M) to the Support Panel (O).

x4



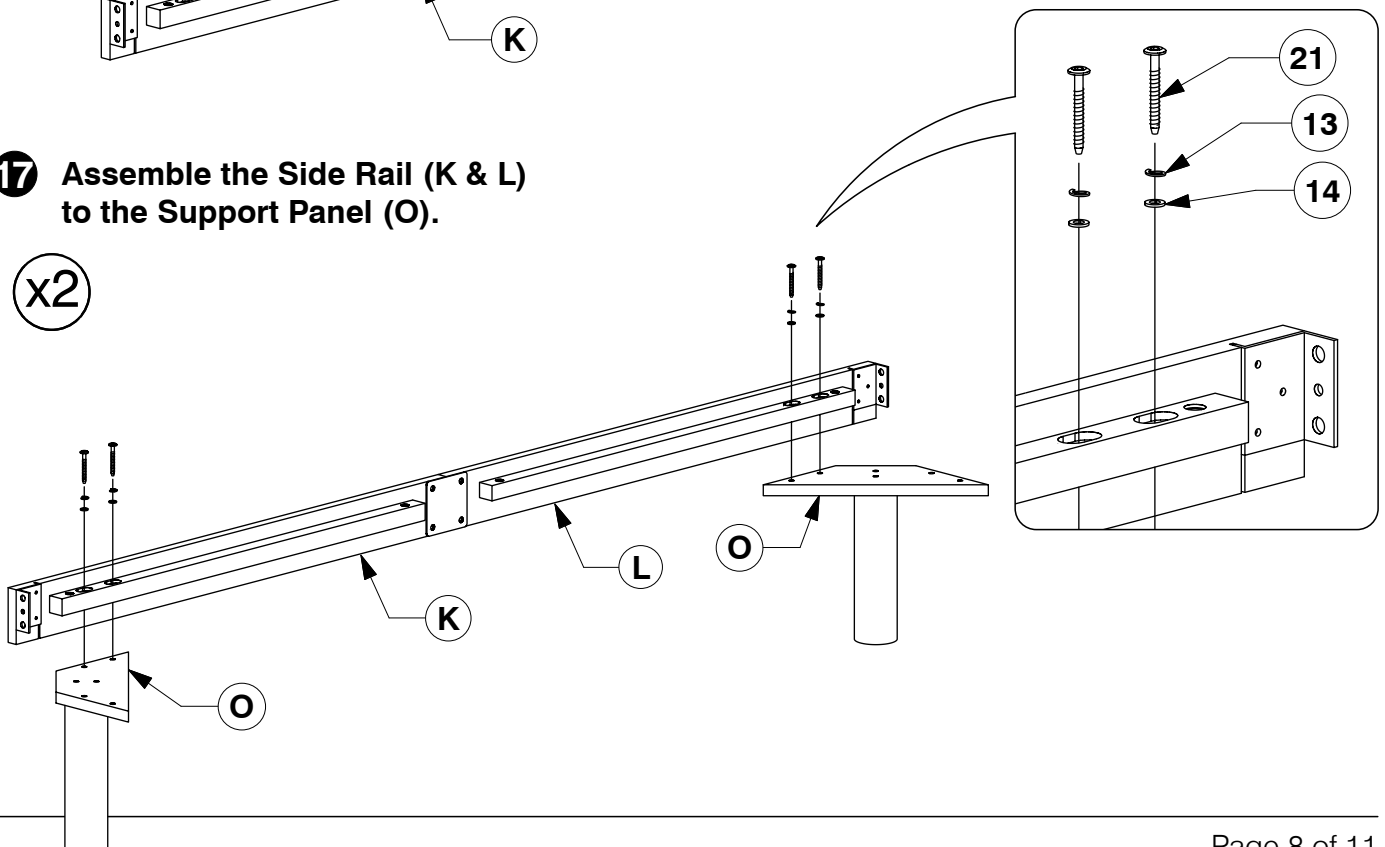
- 16** Fit the Metal Plate to the Side Rail (K & L).

x2



- 17** Assemble the Side Rail (K & L) to the Support Panel (O).

x2

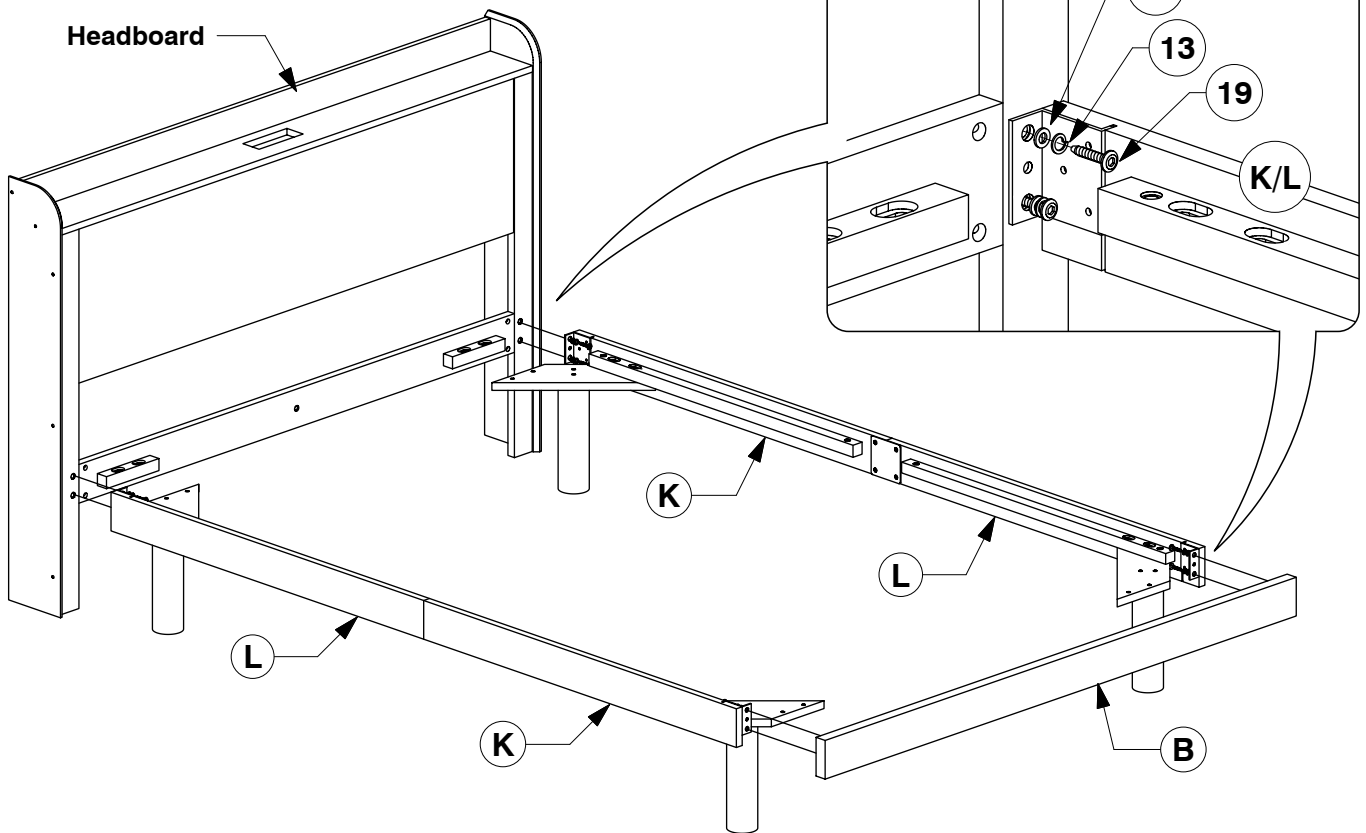


0081 S Full Bed

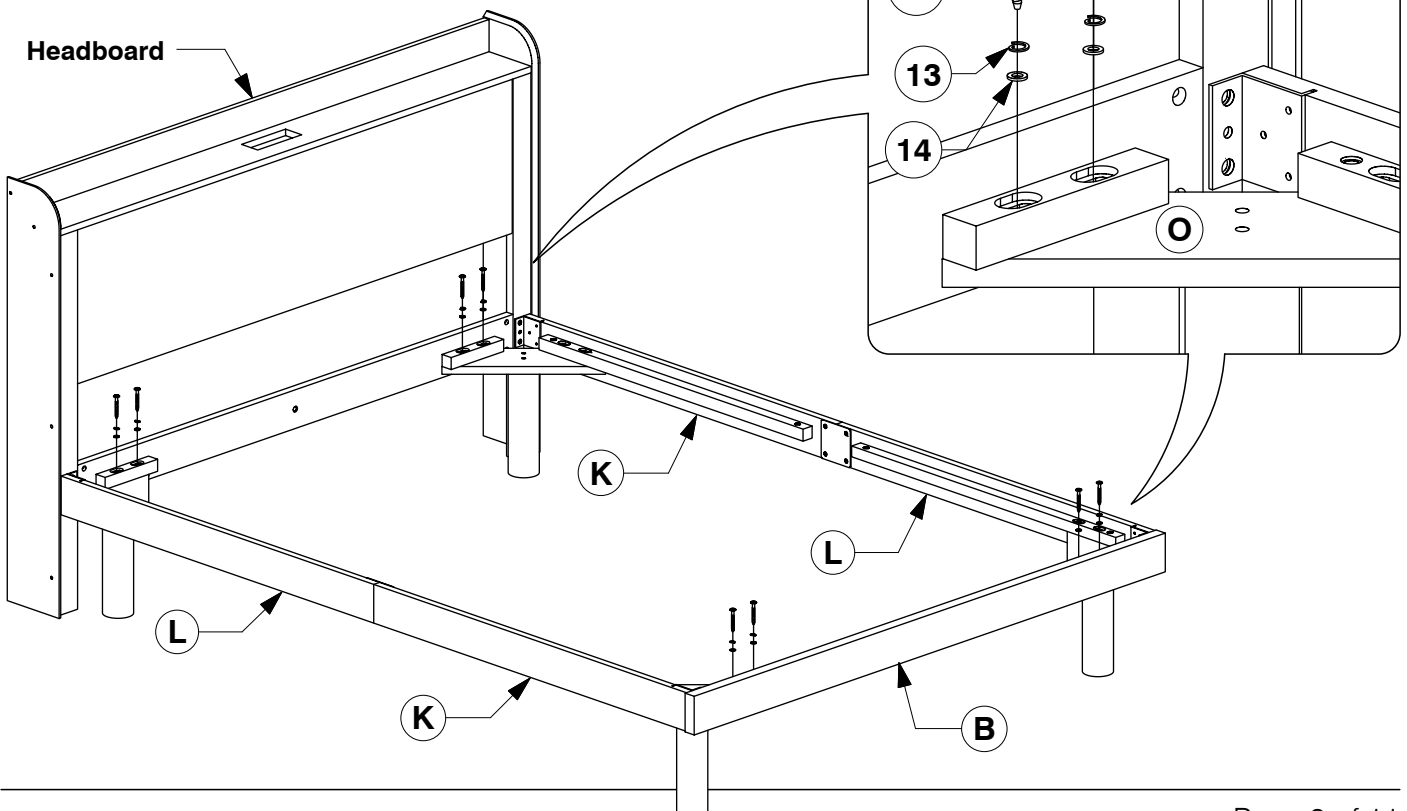
Assembly Instructions

WI-0421

- 18** Assemble the Side Rail (K & L) to the Headboard & Footboard (B).



- 19** Bolt the Support Panel (O) to the Headboard & Footboard Panel (B).



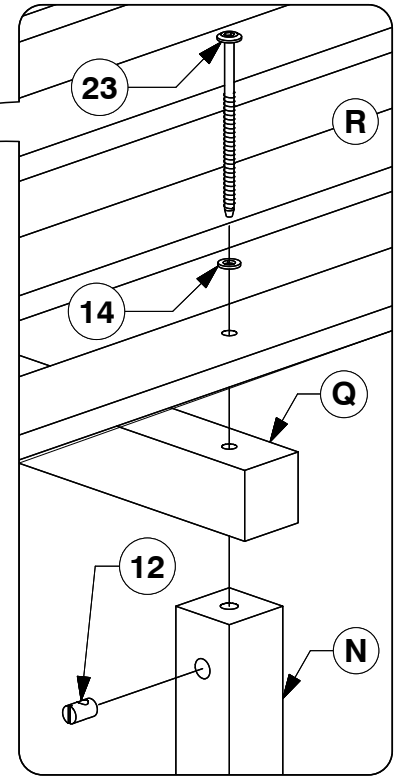
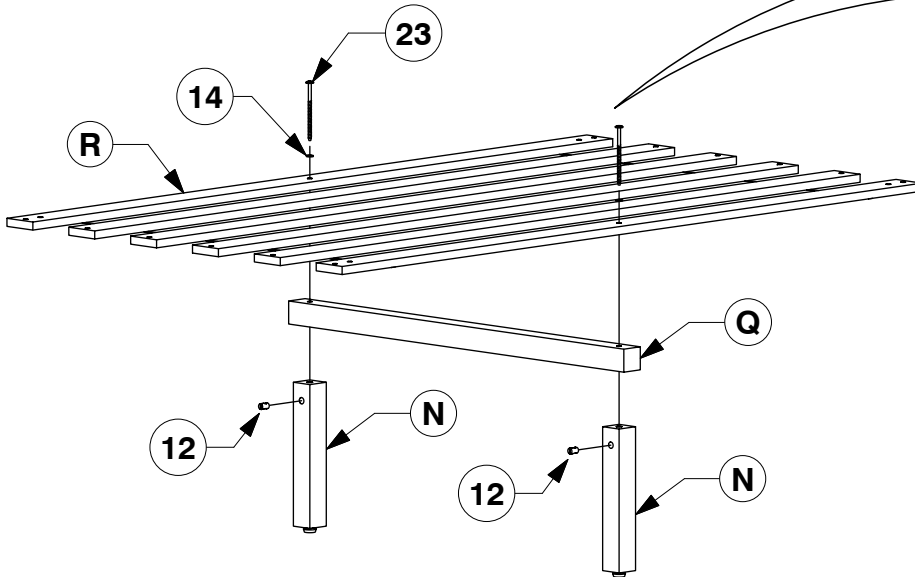
0081 S Full Bed

Assembly Instructions

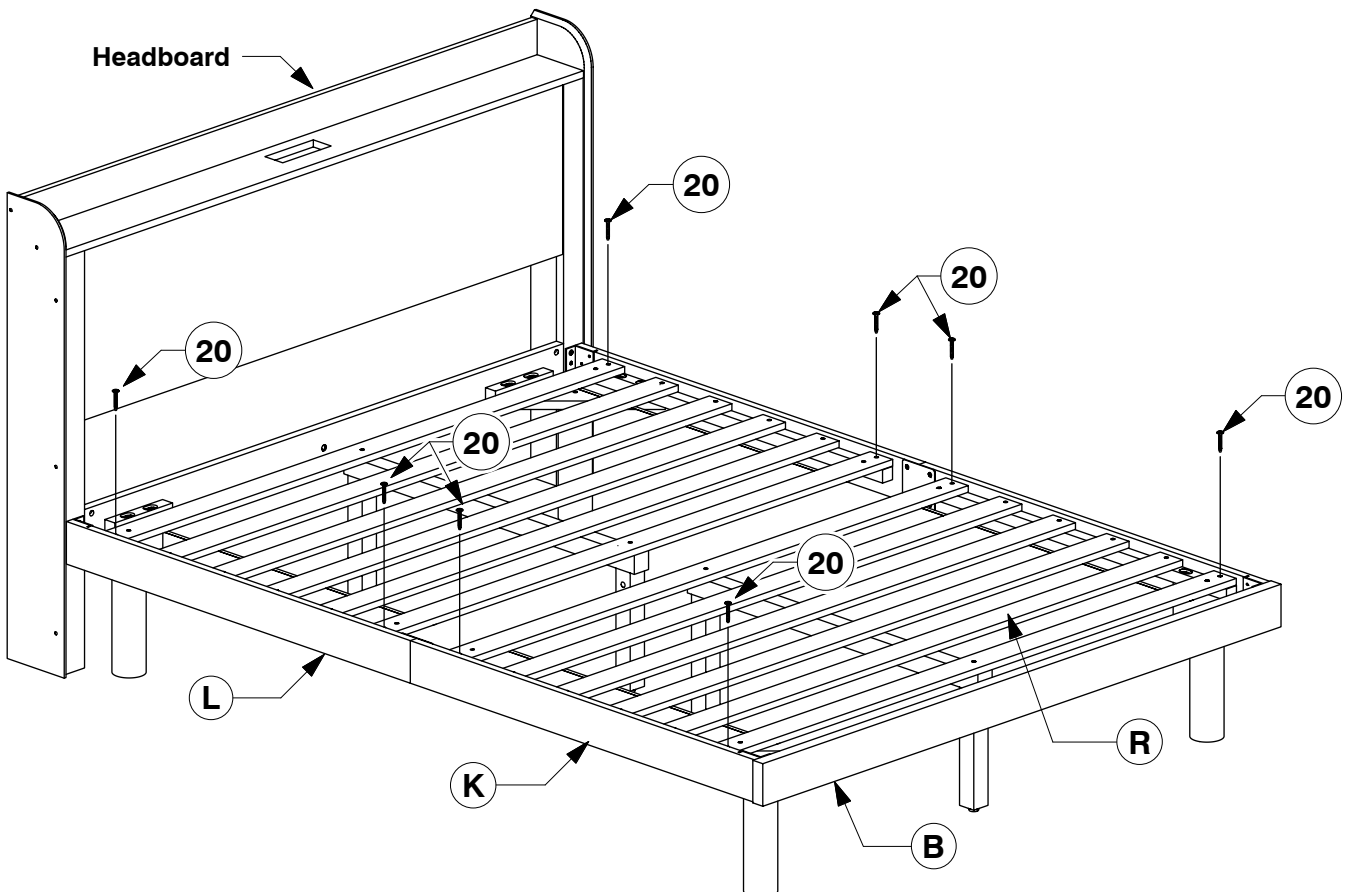
WI-0421

- 20** Fit the Slats (R) to the Long Support (Q) & Support Leg (N).

x2



- 21** Bolt the Bed Slats (R) to the Side Rail (K & L).

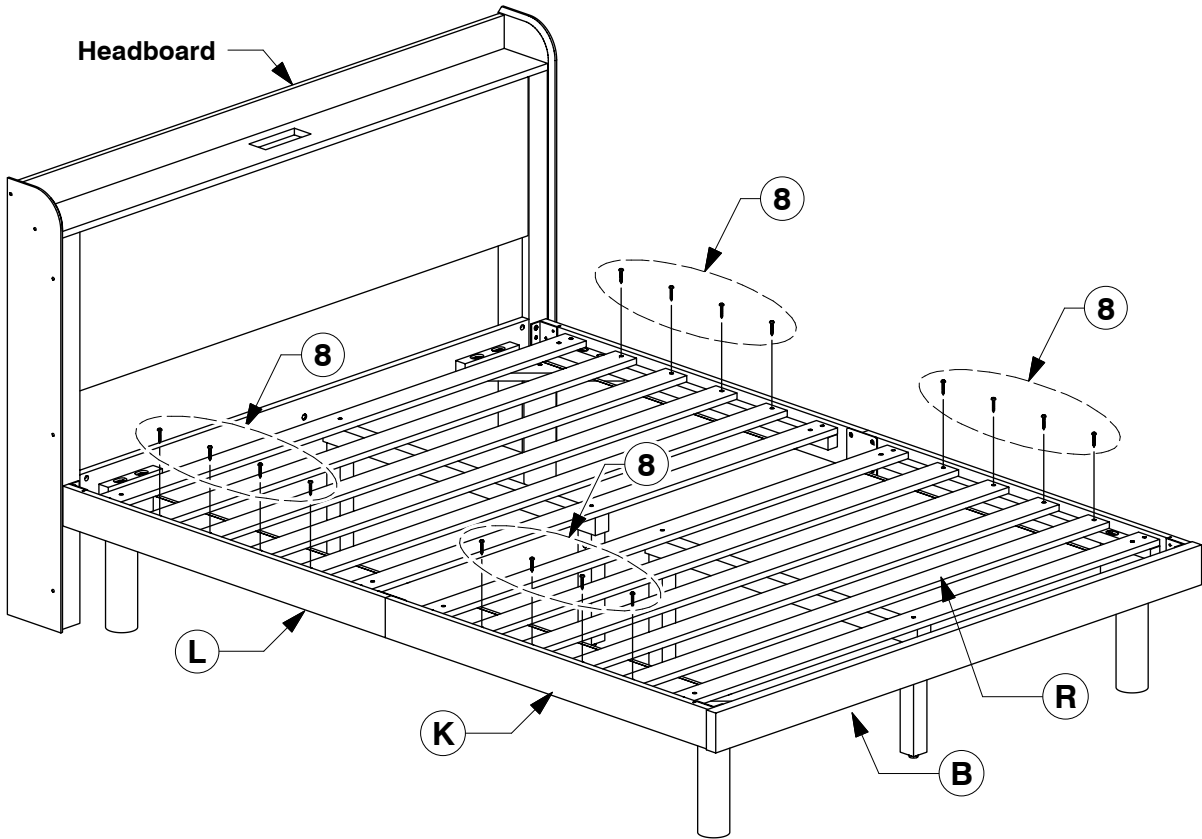


0081 S Full Bed

Assembly Instructions

WI-0421

- 22** Screw the Bed Slats (R) to the Side Rail (K & L).



- 23** Lastly, fit the Support Bar (P) in place.

