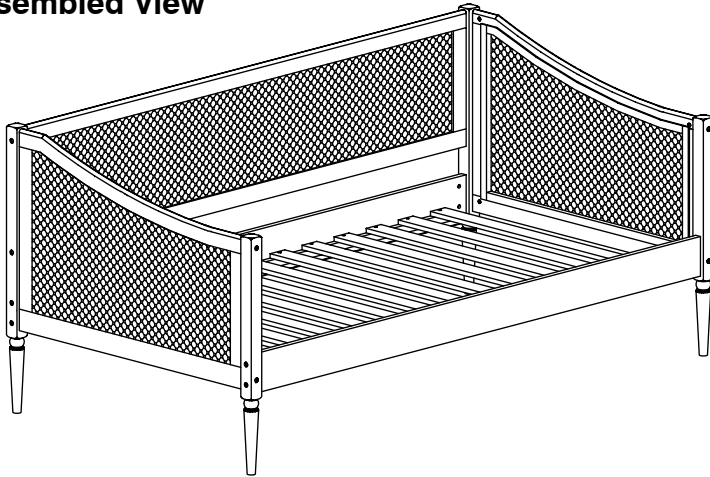


0074 Daybed

Assembly Instructions

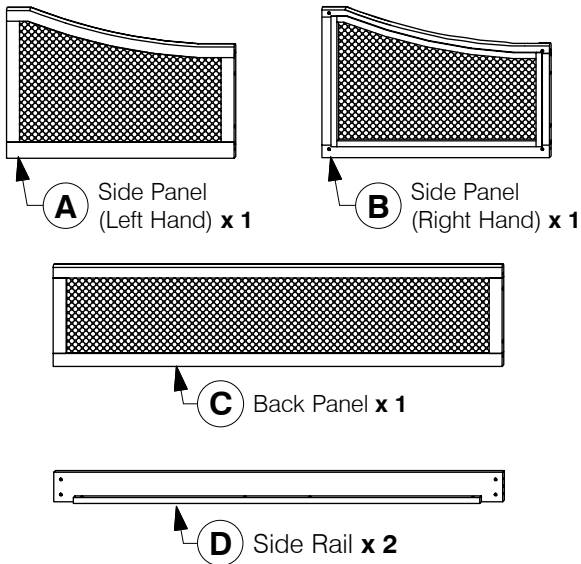
WI-1220

1 Assembled View

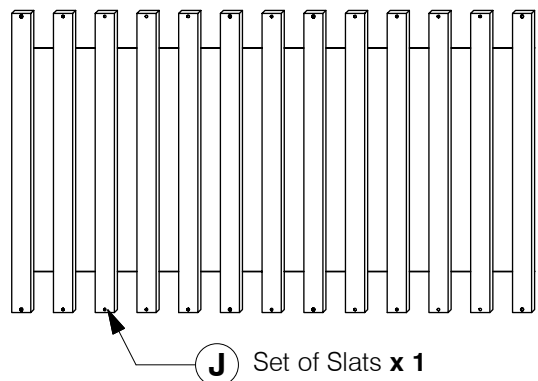


Note: Do not assemble using power tools. This can cause the bolts to be overtightened

2 Parts in this Box



Slats are packed in separately in Box B



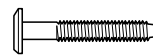
3 Hardware in this Box



1 M6 x 90mm JCB x 20



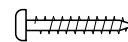
4 Barrel Nut x 20



2 M6 x 40mm JCB x 8



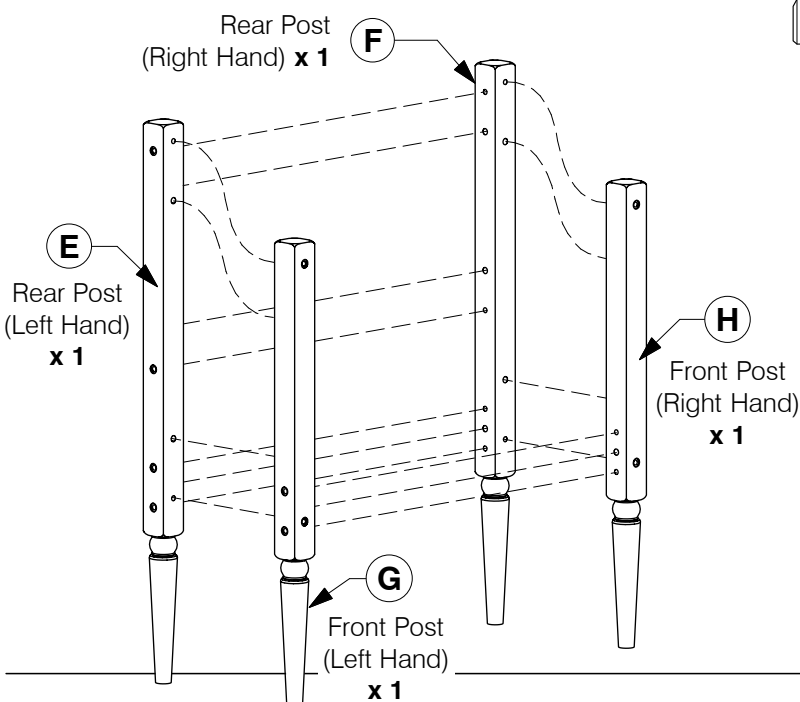
5 Wood Dowel (10 x 40mm) x 16



3 Wood Screw (M4 x 32mm) x 18



6 Allen Key x 1

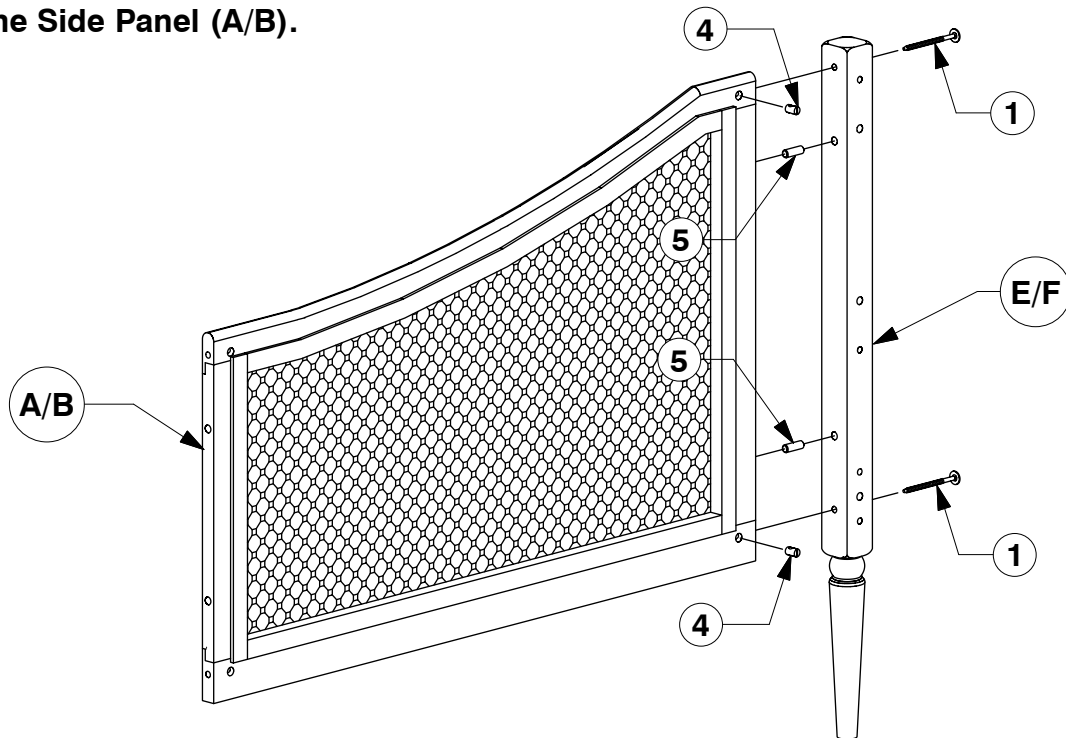


0074 Daybed

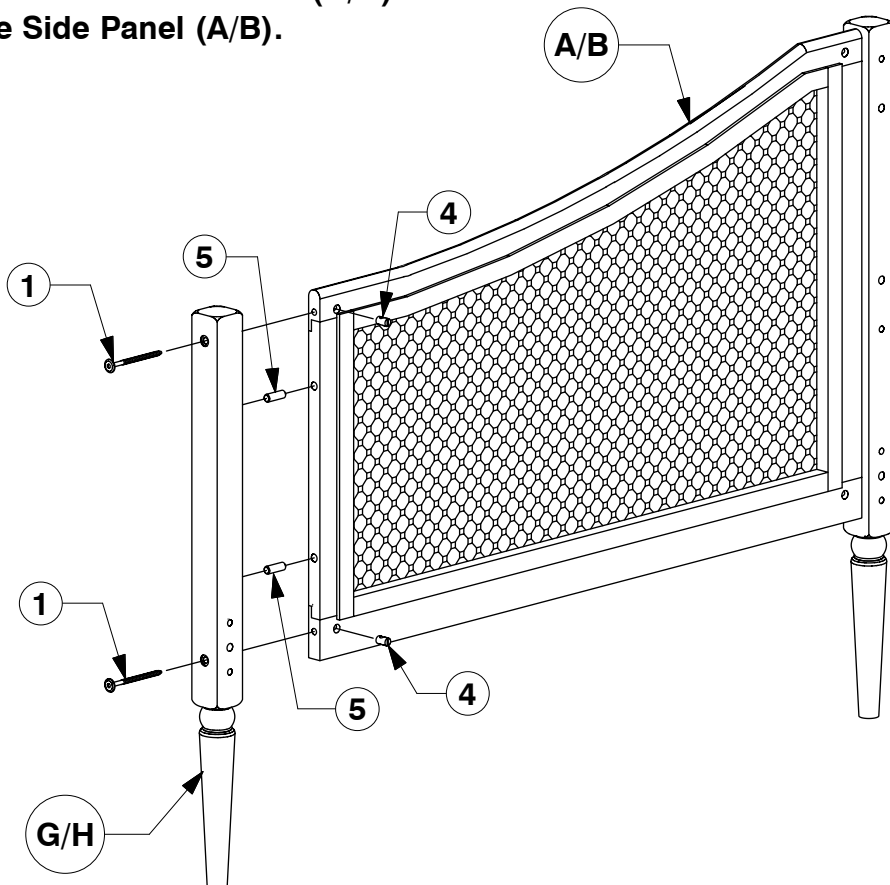
Assembly Instructions

WI-1220

- 4** Assemble the Rear Post (E/F) to the Side Panel (A/B).



- 5** Assemble the Front Post (G/H) to the Side Panel (A/B).

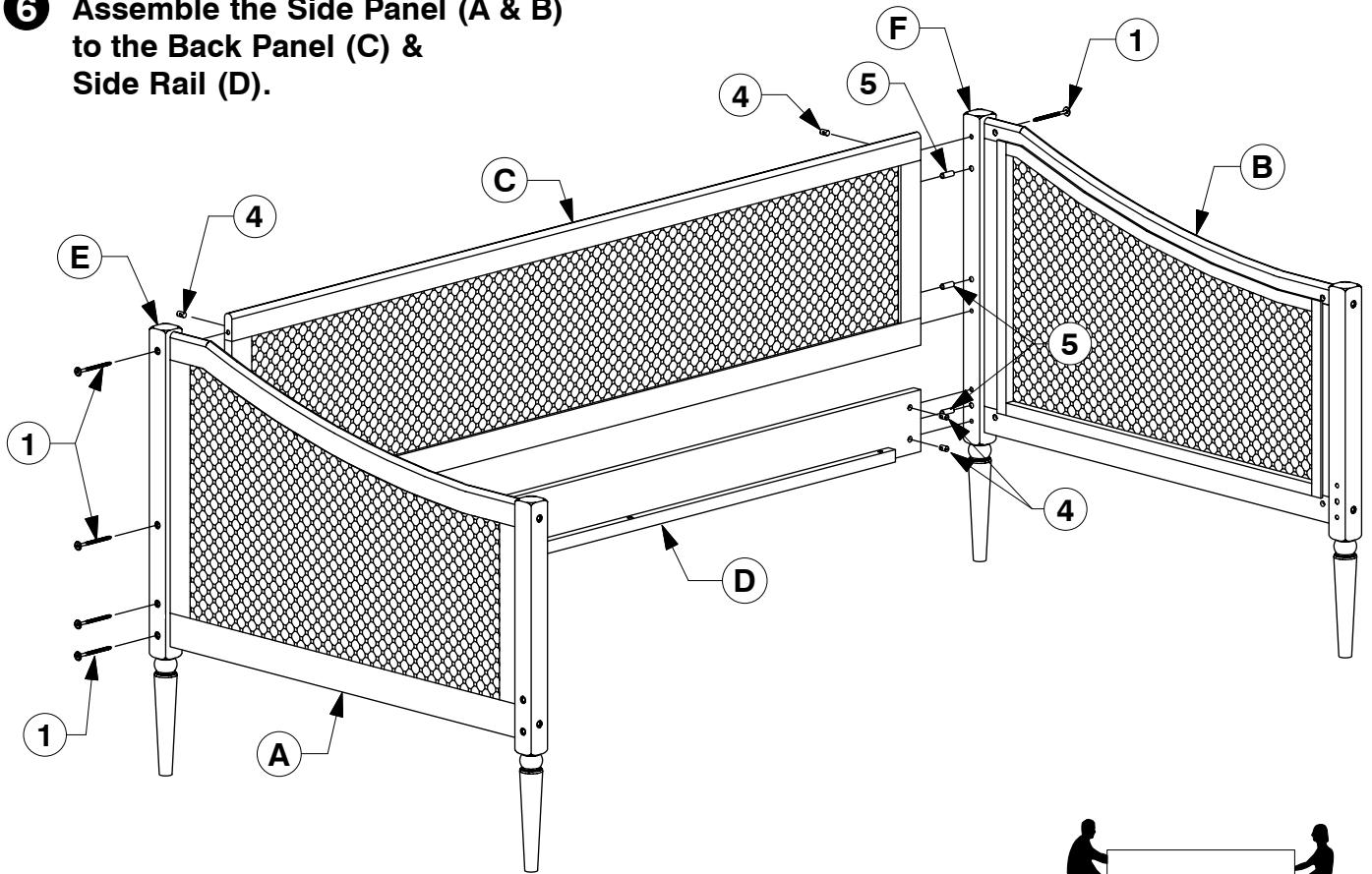


0074 Daybed

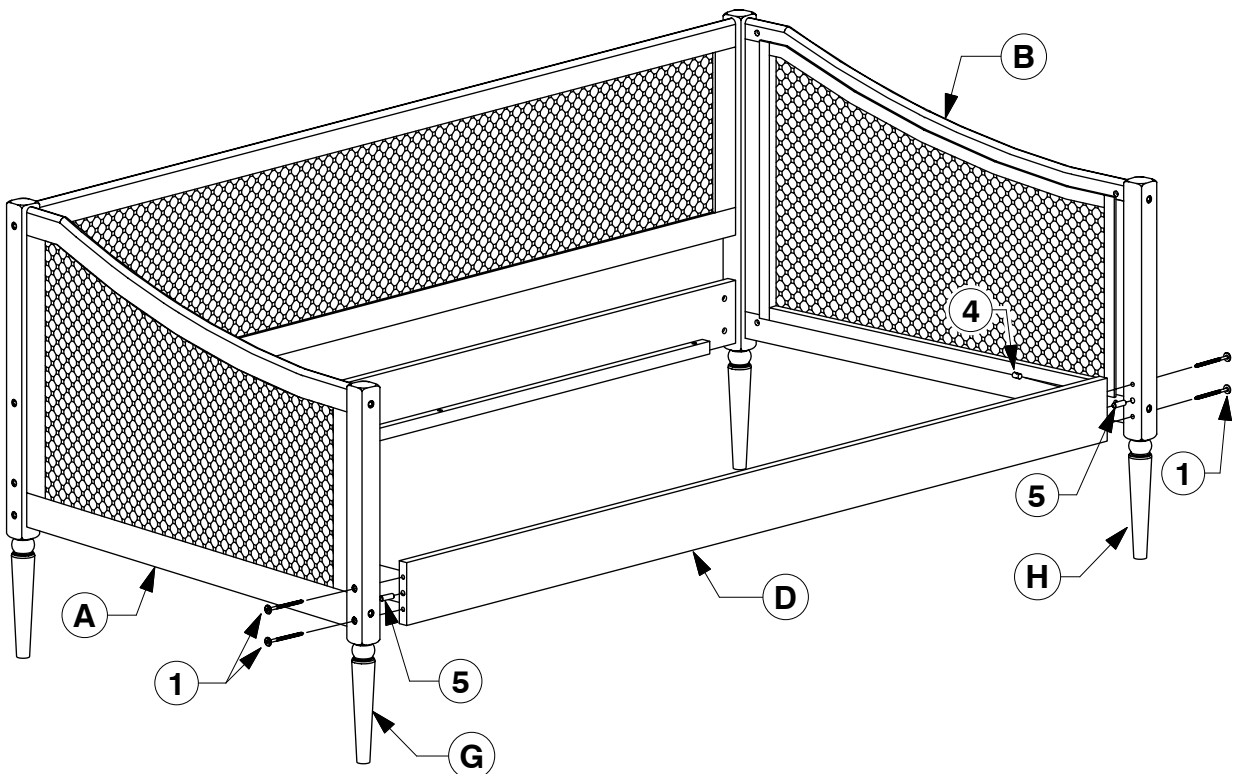
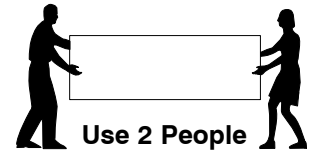
Assembly Instructions

WI-1220

- 6** Assemble the Side Panel (A & B) to the Back Panel (C) & Side Rail (D).



- 7** Assemble the Side Rail (D) to the Front Post (G & H).

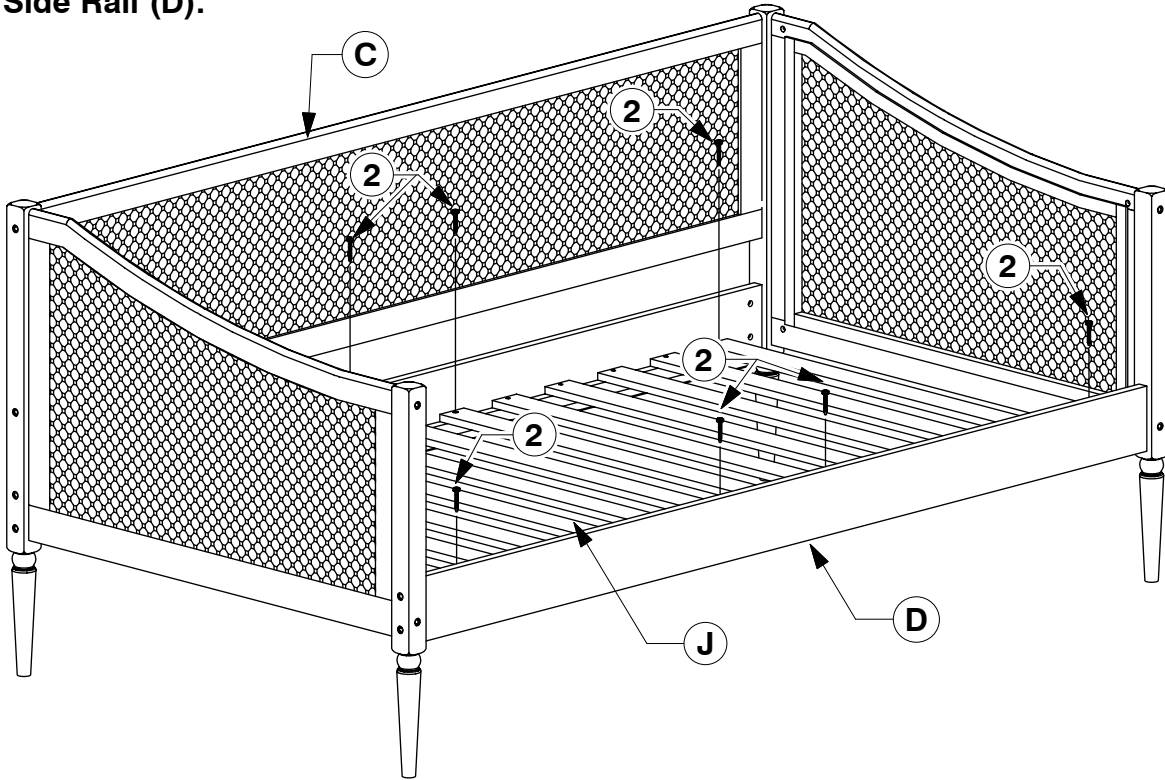


0074 Daybed

Assembly Instructions

WI-1220

- 8** Bolt the Set of Slats (J) between the Side Rail (D).



- 9** Screw the Set of Slats (J) between the Side Rail (D).

