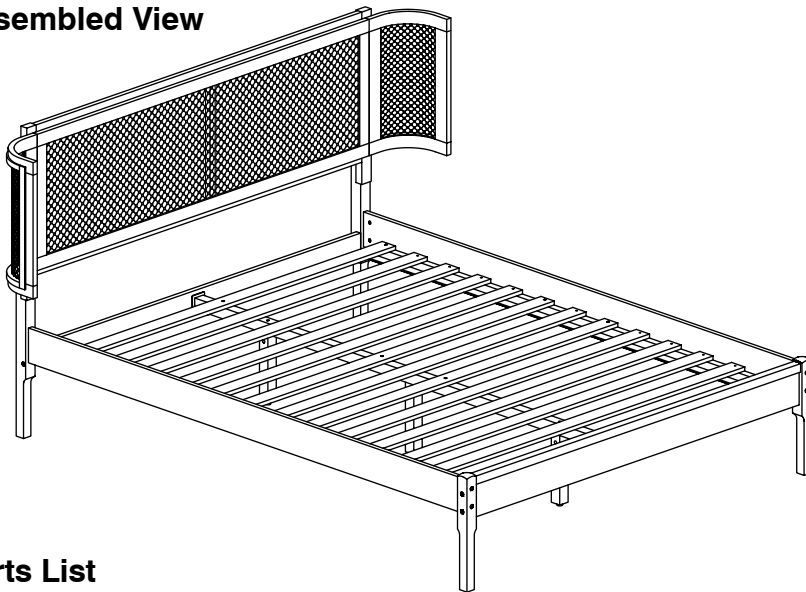


# 0070 Queen Bed

## Assembly Instructions

WI-0521

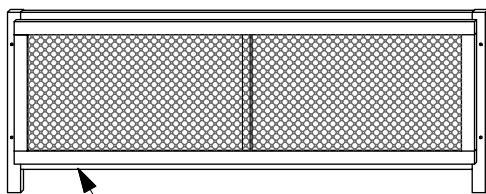
### 1 Assembled View



**Note:** Do not assemble using power tools. This can cause the bolts to be overtightened

### 2 Parts List

#### Parts in Box A:



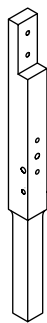
**A** Headboard Panel x 1



**B** Headboard Support x 1

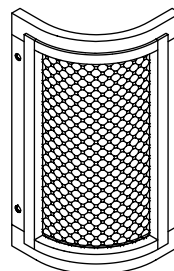


**C** Headboard Post (Left Hand) x 1

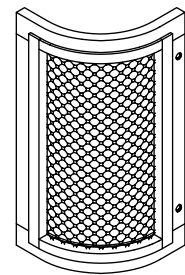


**D** Headboard Post (Right Hand) x 1

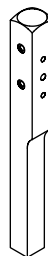
#### Parts in Box B:



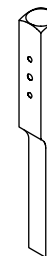
**E** Headboard Side Panel (Left Hand) x 1



**F** Headboard Side Panel (Right Hand) x 1

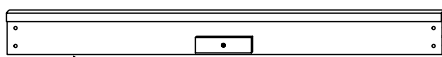


**K** Footboard Post (Left Hand) x 1



**L** Footboard Post (Right Hand) x 1

#### Parts in Box C:



**G** Footboard Panel x 1



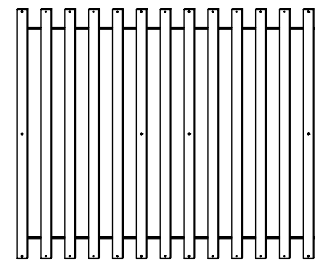
**H** Side Rail x 2



**J** Long Support x 1



**M** Support Leg x 3



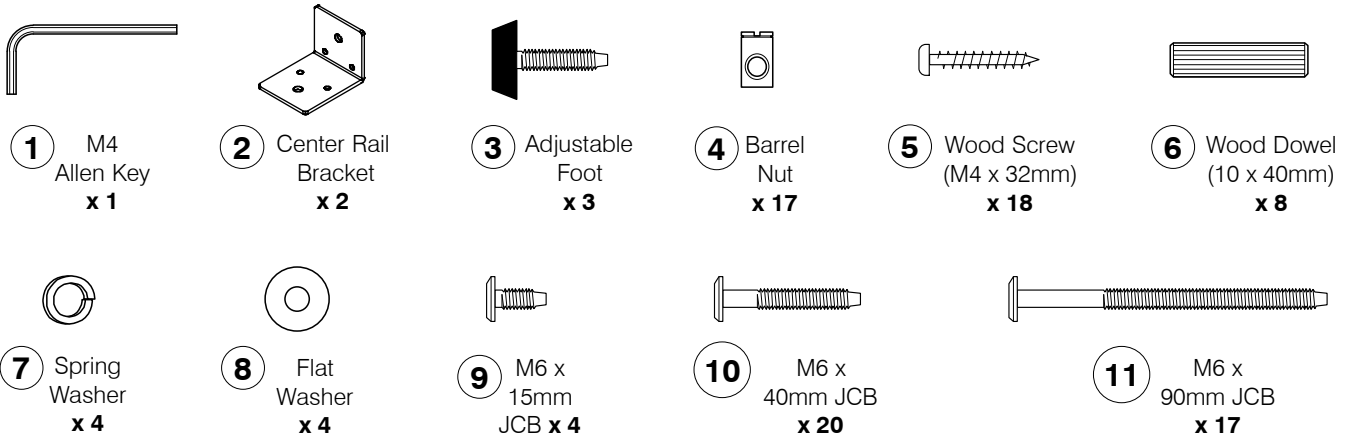
**N** Set of Bed Slats x 1

# 0070 Queen Bed

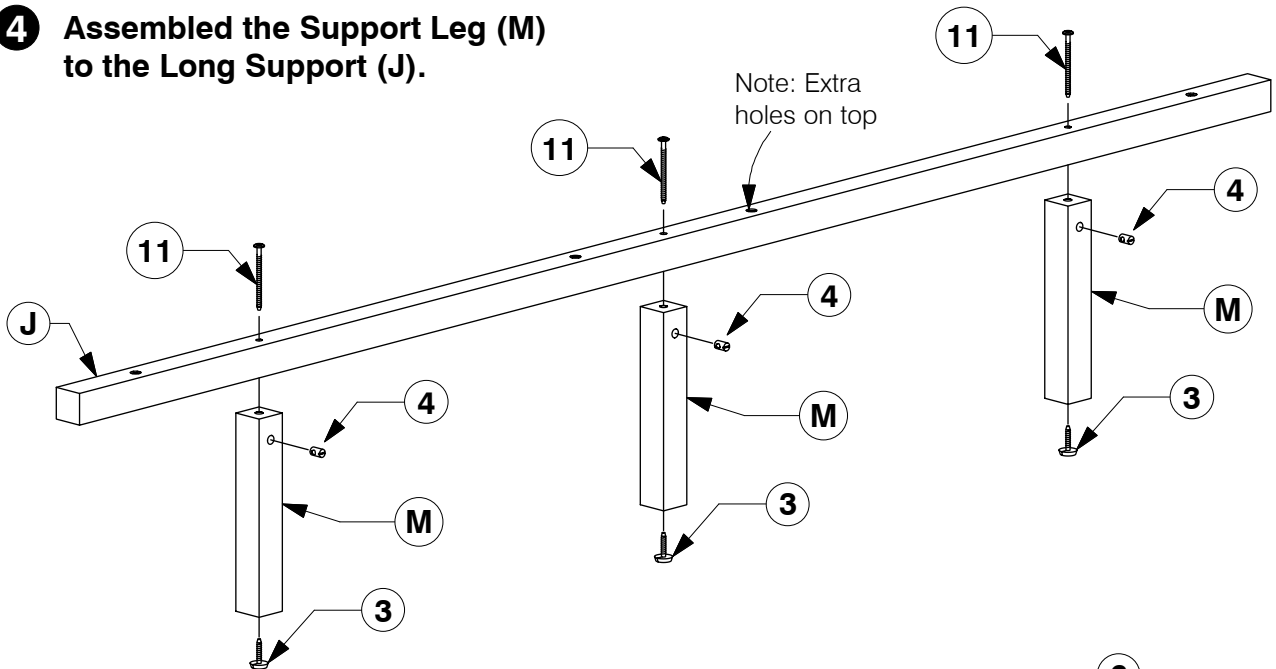
## Assembly Instructions

WI-0521

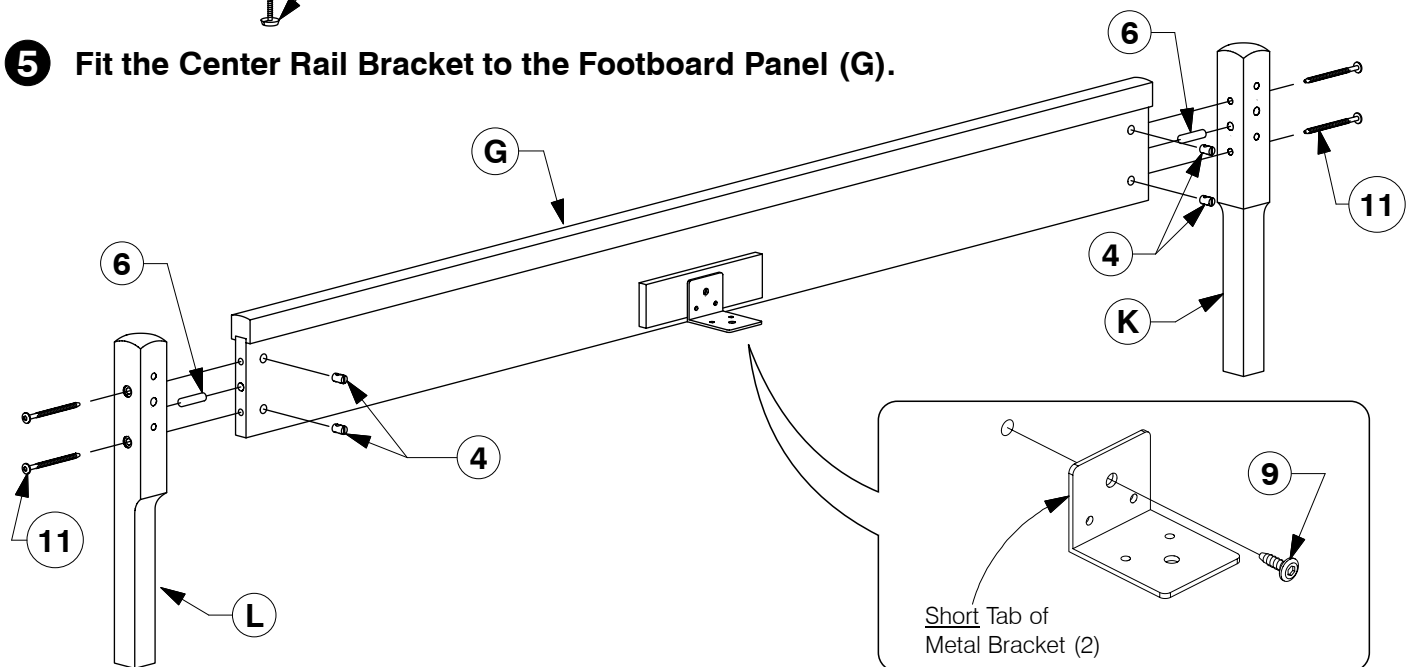
### 3 Hardware List



### 4 Assembled the Support Leg (M) to the Long Support (J).



### 5 Fit the Center Rail Bracket to the Footboard Panel (G).

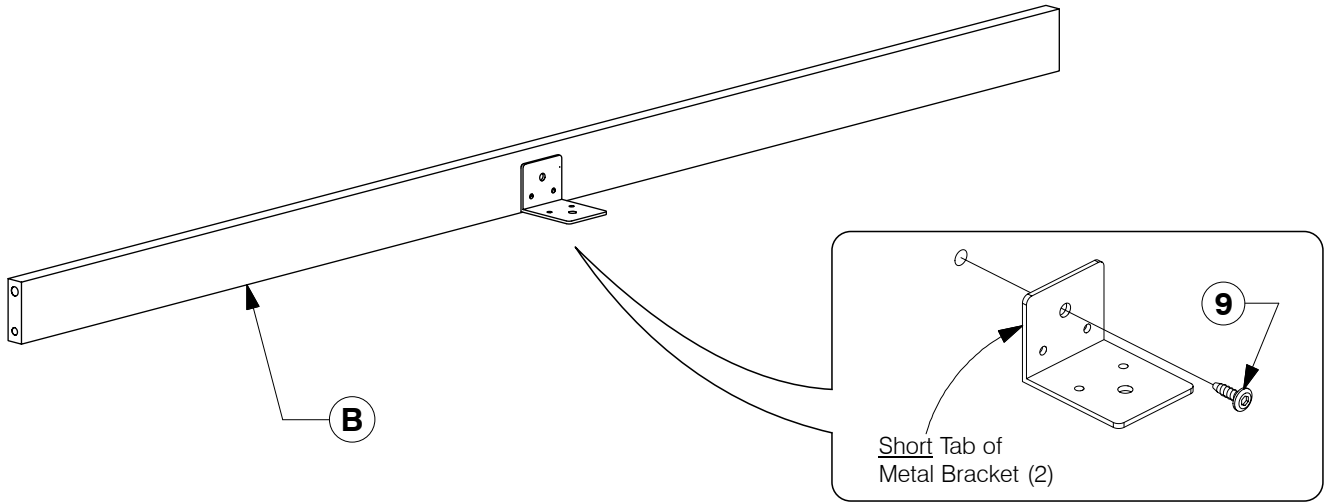


# 0070 Queen Bed

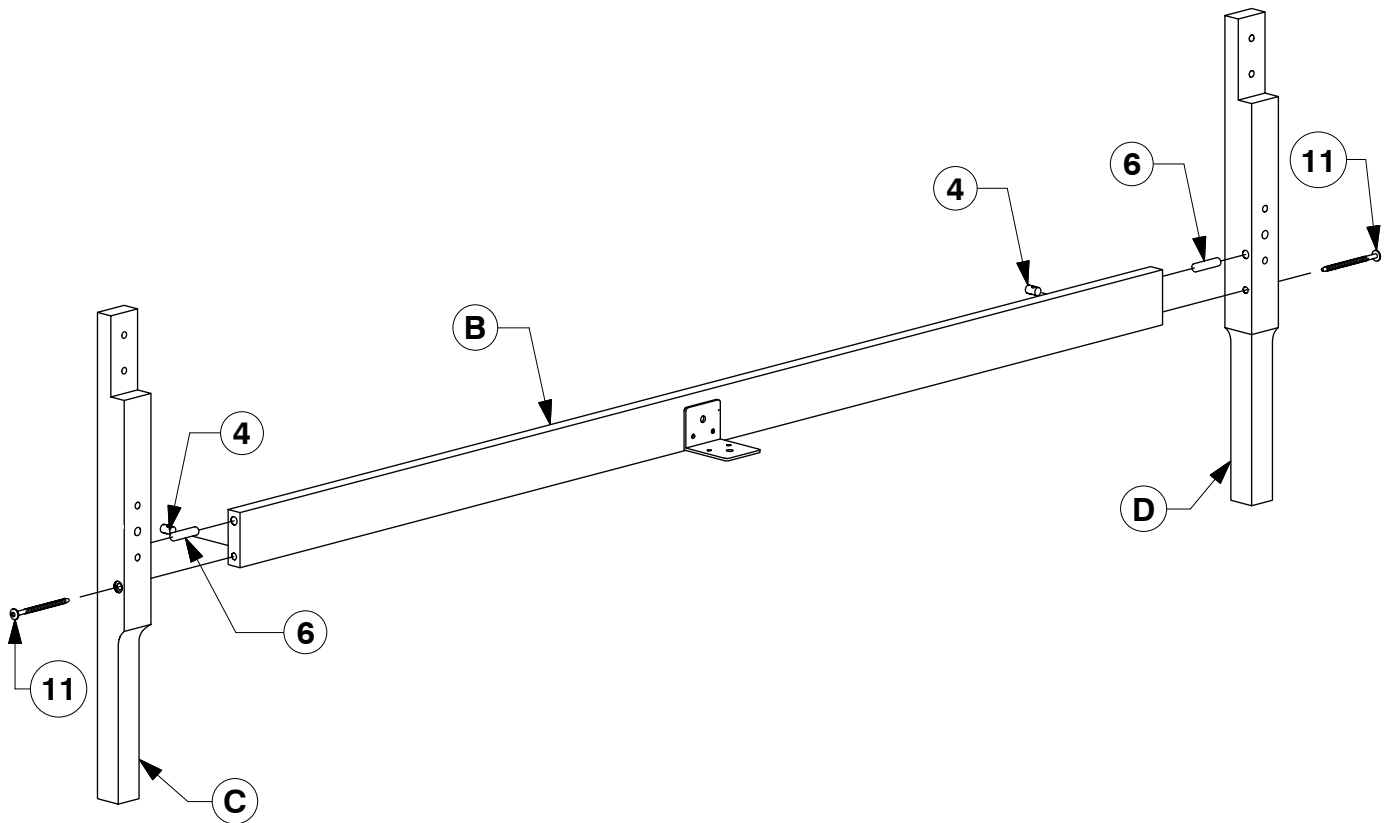
## Assembly Instructions

WI-0521

- 6** Fit the Center Rail Bracket to the Headboard Support (B).



- 7** Assemble the Headboard Support (B) to the Headboard Post (C & D).

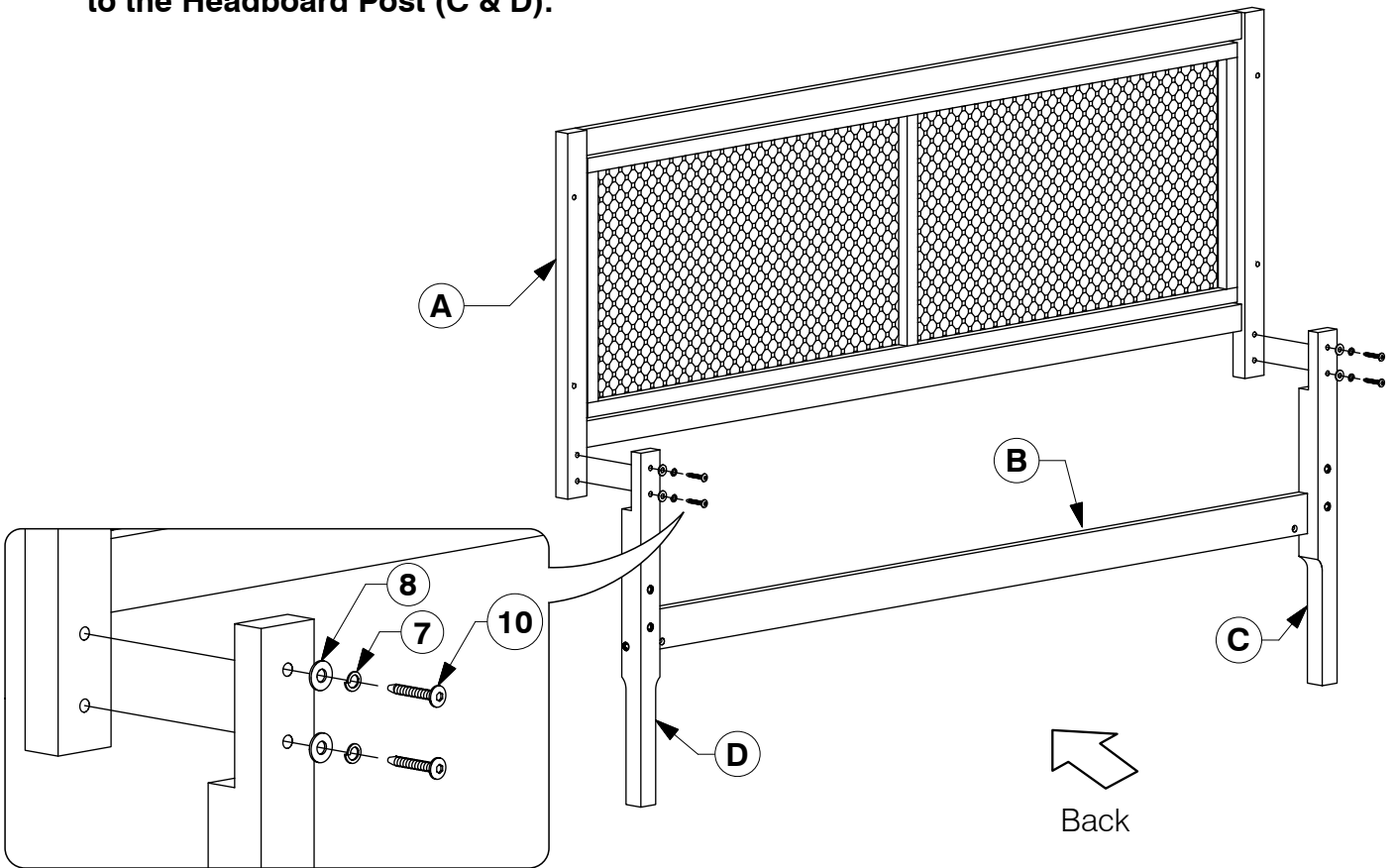


# 0070 Queen Bed

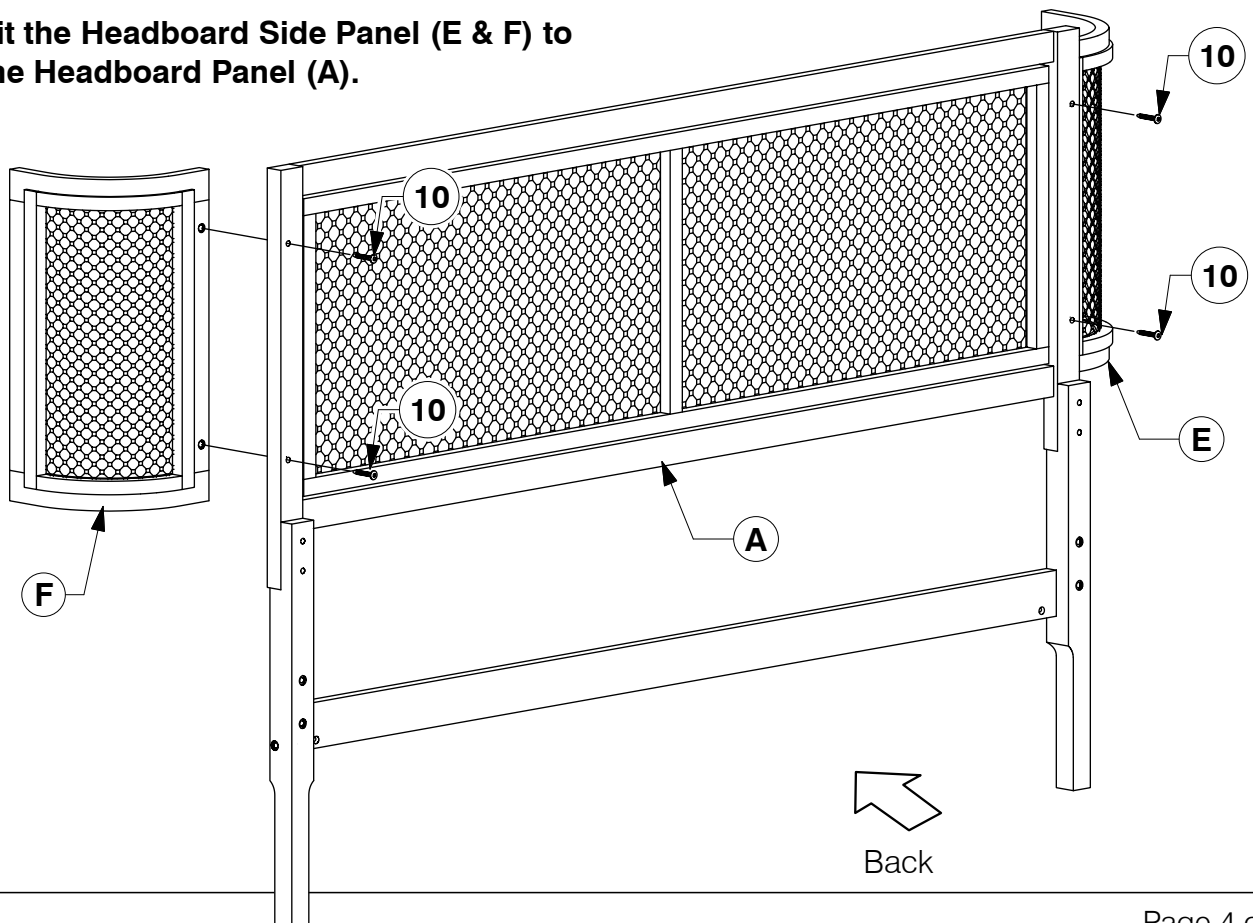
## Assembly Instructions

WI-0521

- 8** Assemble the Headboard Panel (A) to the Headboard Post (C & D).



- 9** Fit the Headboard Side Panel (E & F) to the Headboard Panel (A).

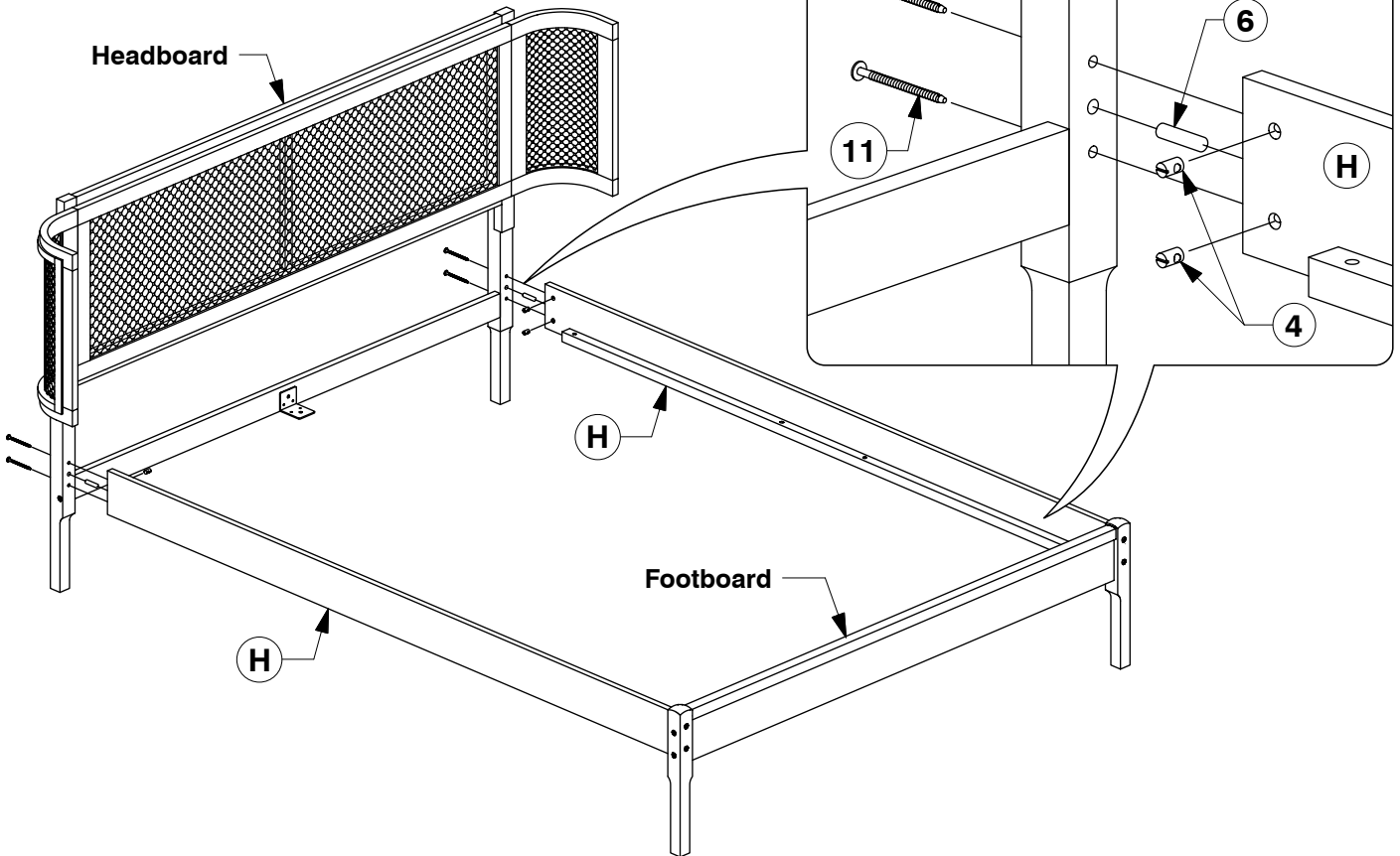


# 0070 Queen Bed

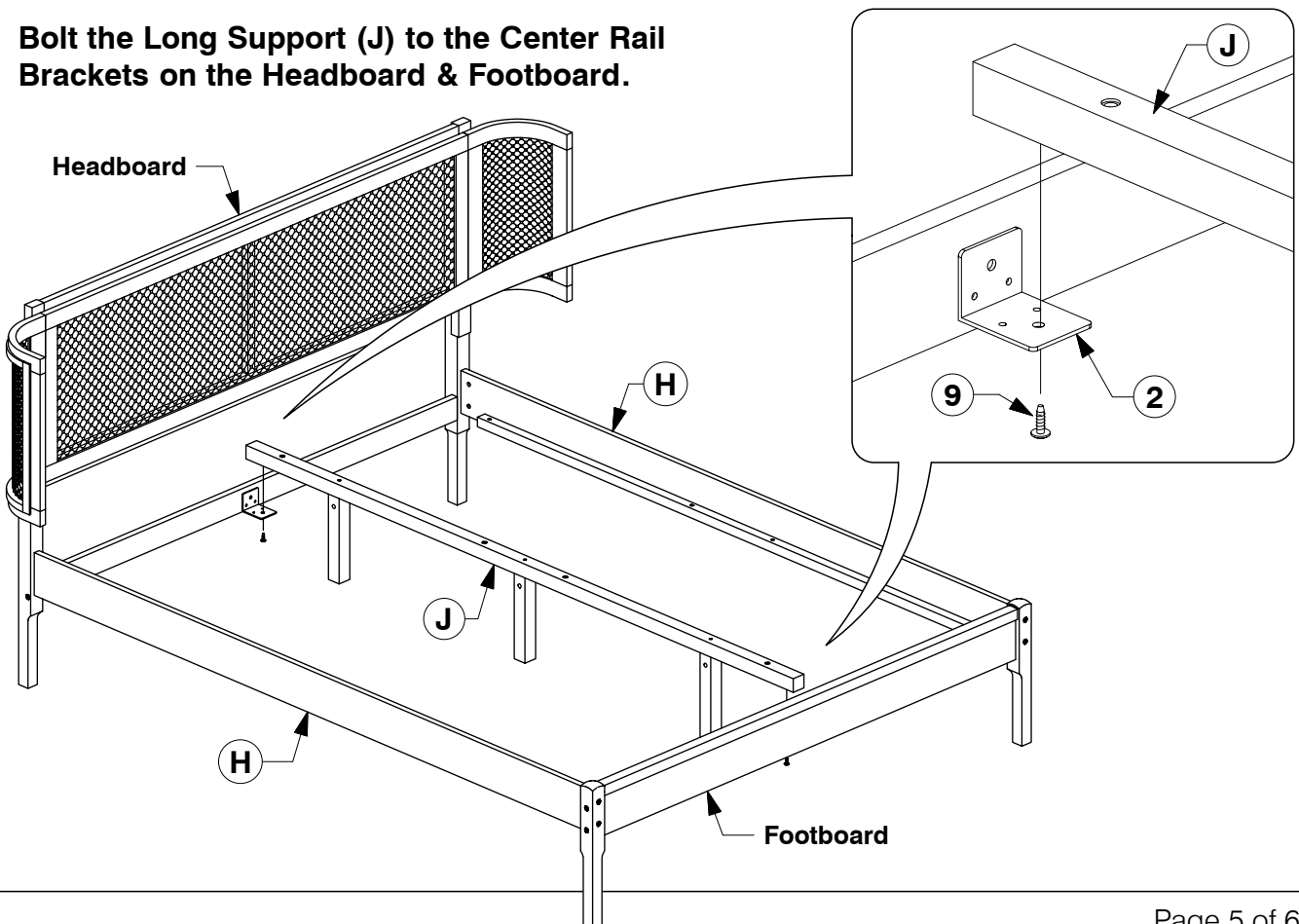
## Assembly Instructions

WI-0521

- 10** Assemble the Side Rail (H) to the Headboard & Footboard.



- 11** Bolt the Long Support (J) to the Center Rail Brackets on the Headboard & Footboard.

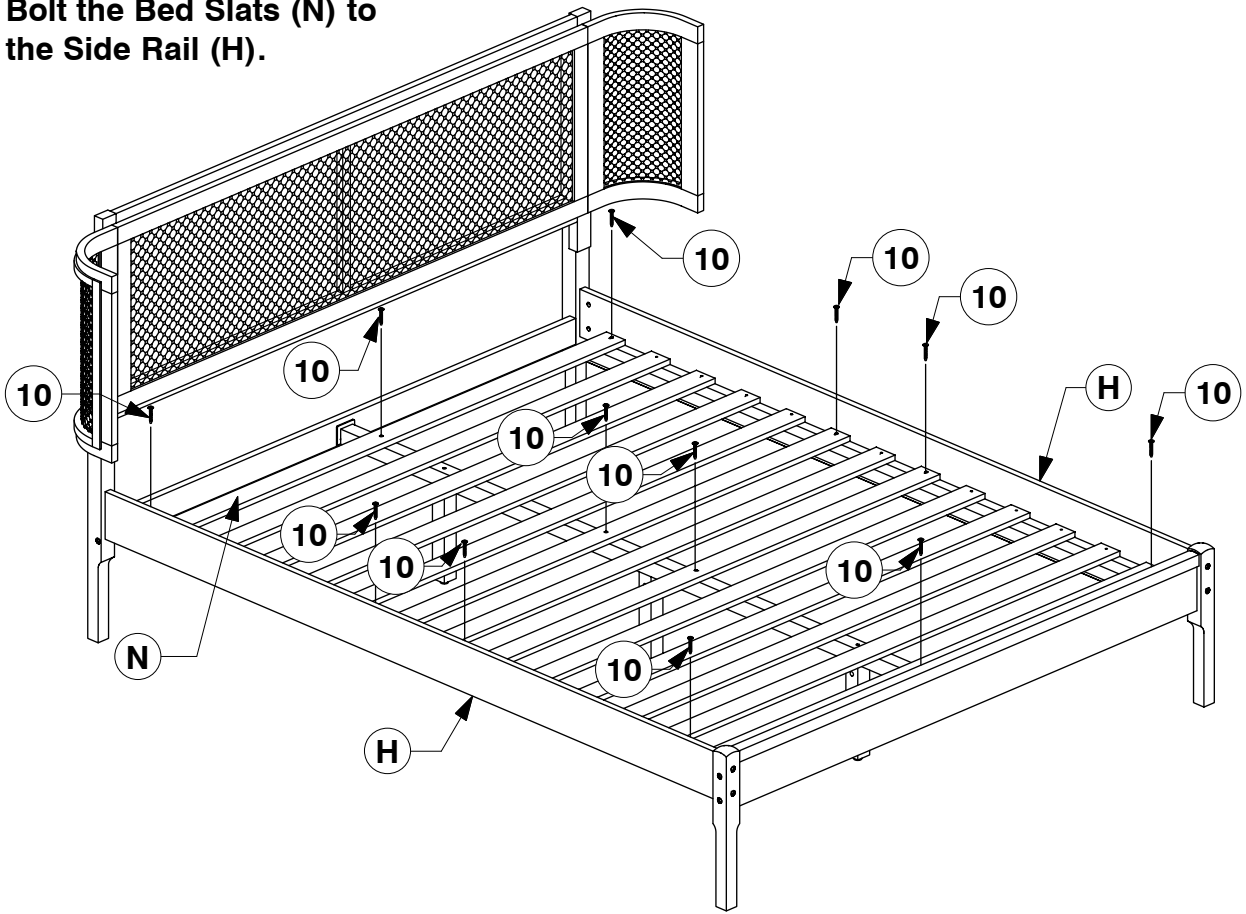


# 0070 Queen Bed

## Assembly Instructions

WI-0521

- 12** Bolt the Bed Slats (N) to the Side Rail (H).



- 13** Screw the Bed Slats (N) to the Side Rail (H).

