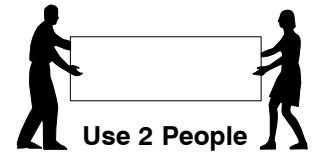
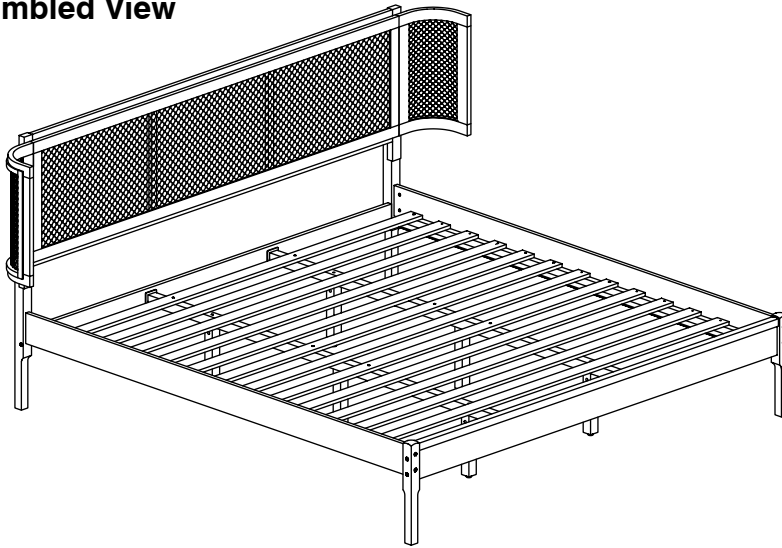


0070 King Bed

Assembly Instructions

WI-0521

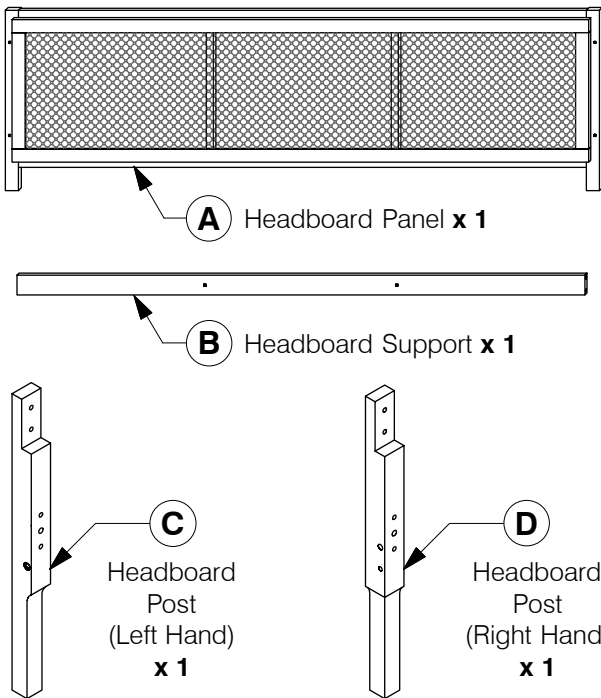
1 Assembled View



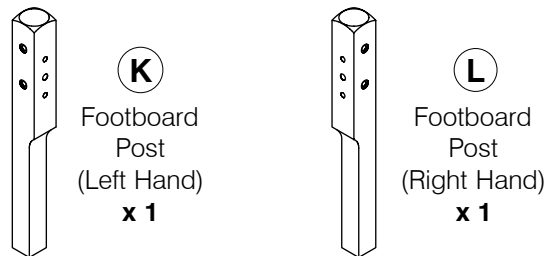
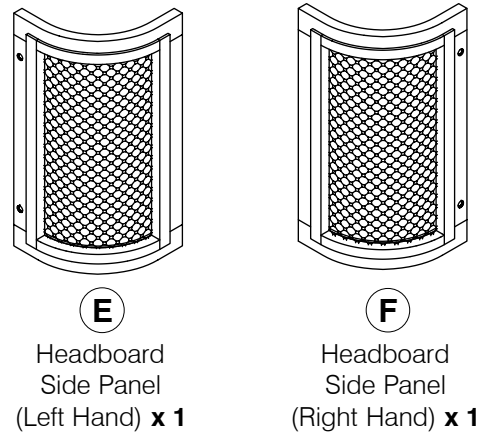
Note: Do not assemble using power tools. This can cause the bolts to be overtightened

2 Parts List

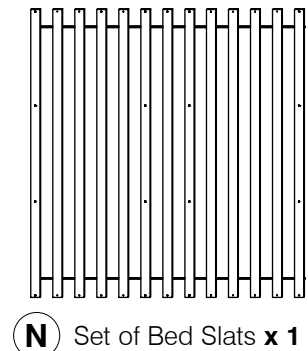
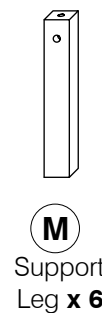
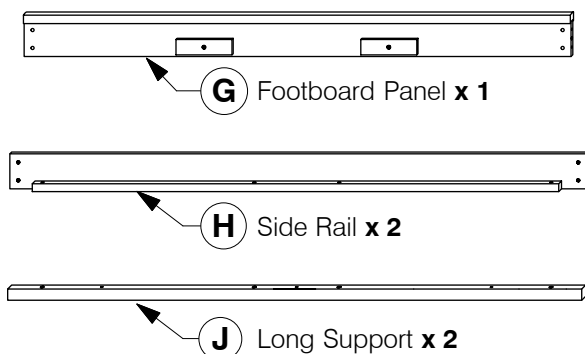
Parts in Box A:



Parts in Box B:



Parts in Box C:



0070 King Bed

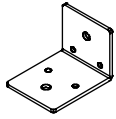
Assembly Instructions

WI-0521

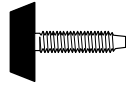
3 Hardware List



1 M4
Allen Key
x 1



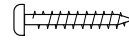
2 Center Rail
Bracket
x 4



3 Adjustable
Foot x 6



4 Barrel
Nut
x 20



5 Wood Screw
(M4 x 32mm)
x 18



6 Wood Dowel
(10 x 40mm)
x 8



7 Spring
Washer
x 4



8 Flat
Washer
x 4



9 M6 x
15mm
JCB x 8

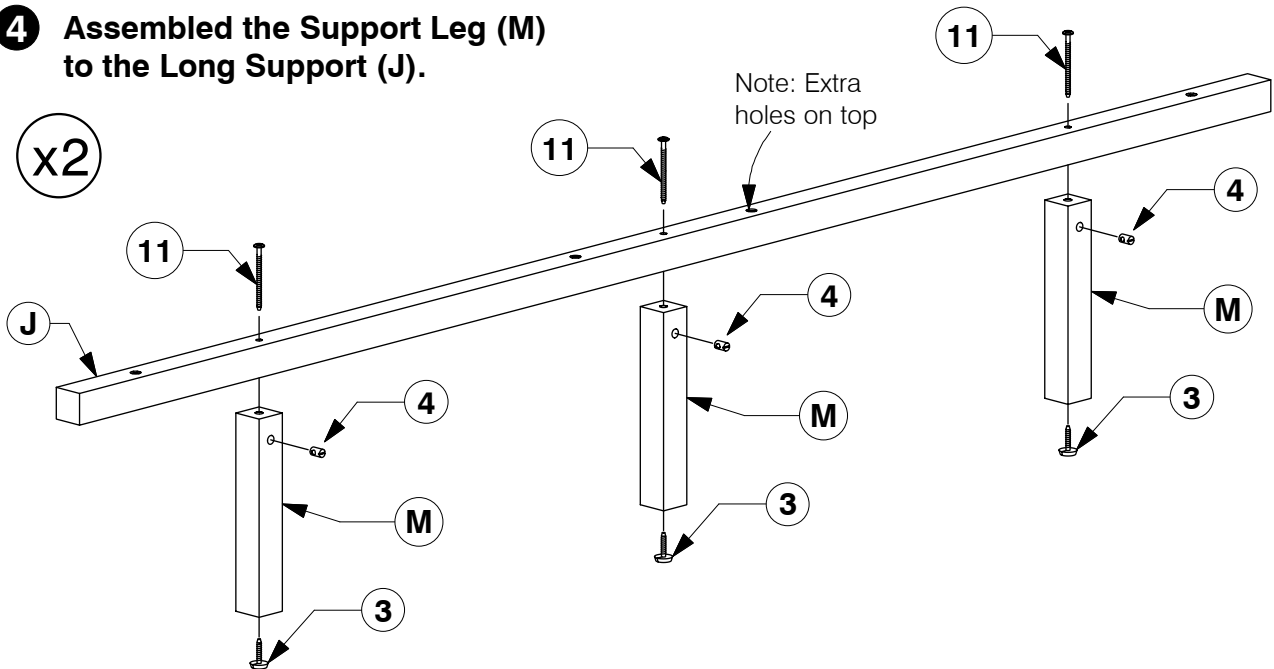


10 M6 x
40mm JCB
x 24

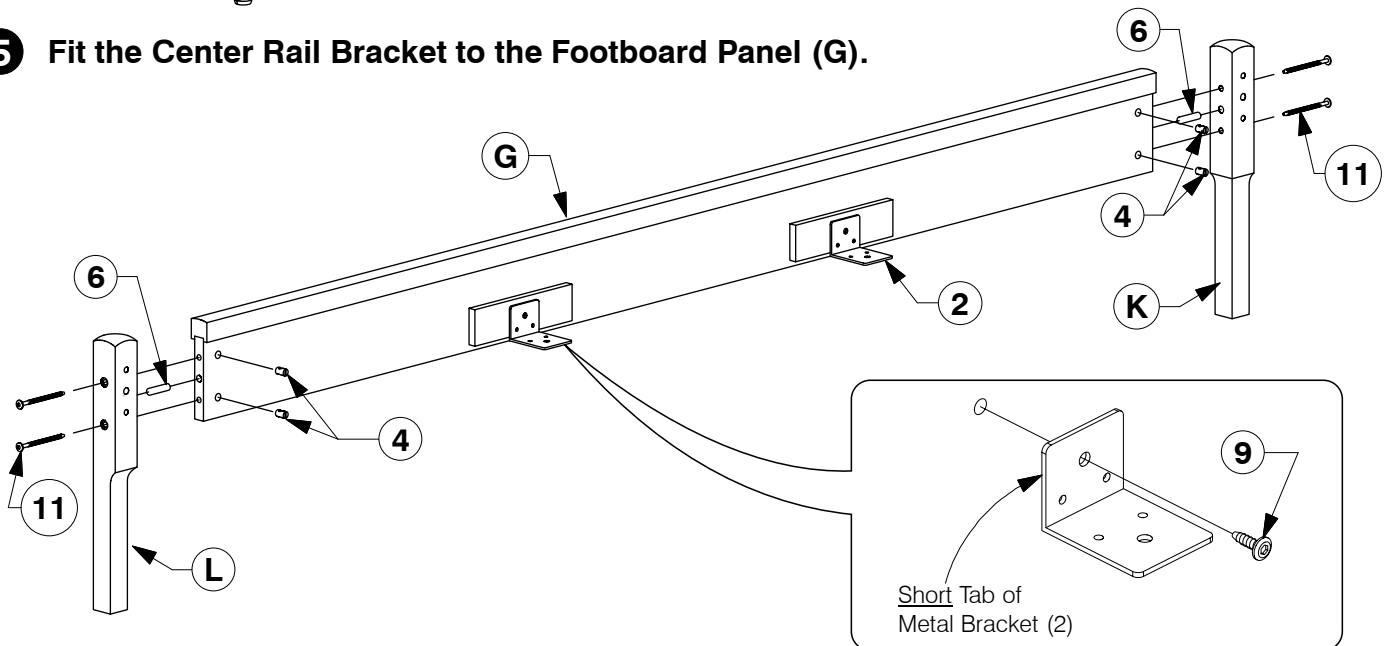


11 M6 x
90mm JCB
x 20

4 Assembled the Support Leg (M) to the Long Support (J).



5 Fit the Center Rail Bracket to the Footboard Panel (G).

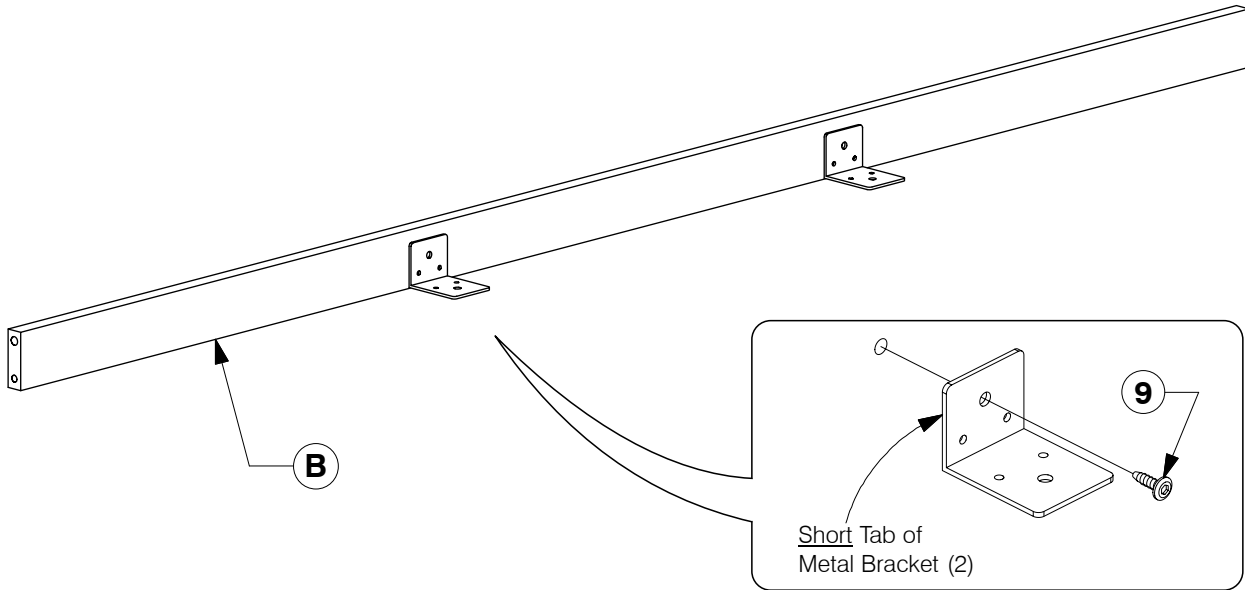


0070 King Bed

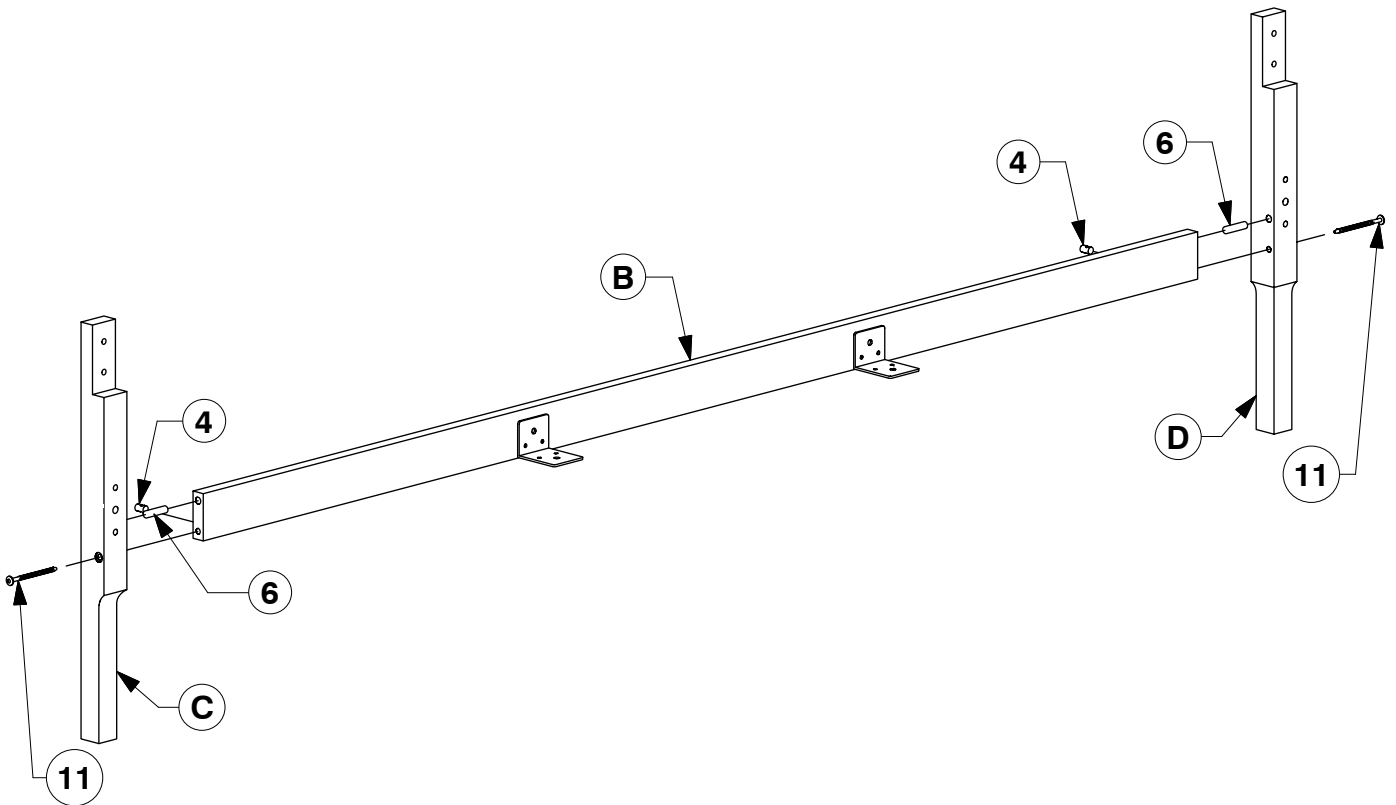
Assembly Instructions

WI-0521

- 6** Fit the Center Rail Bracket to the Headboard Support (B).



- 7** Assemble the Headboard Support (B) to the Headboard Post (C & D).

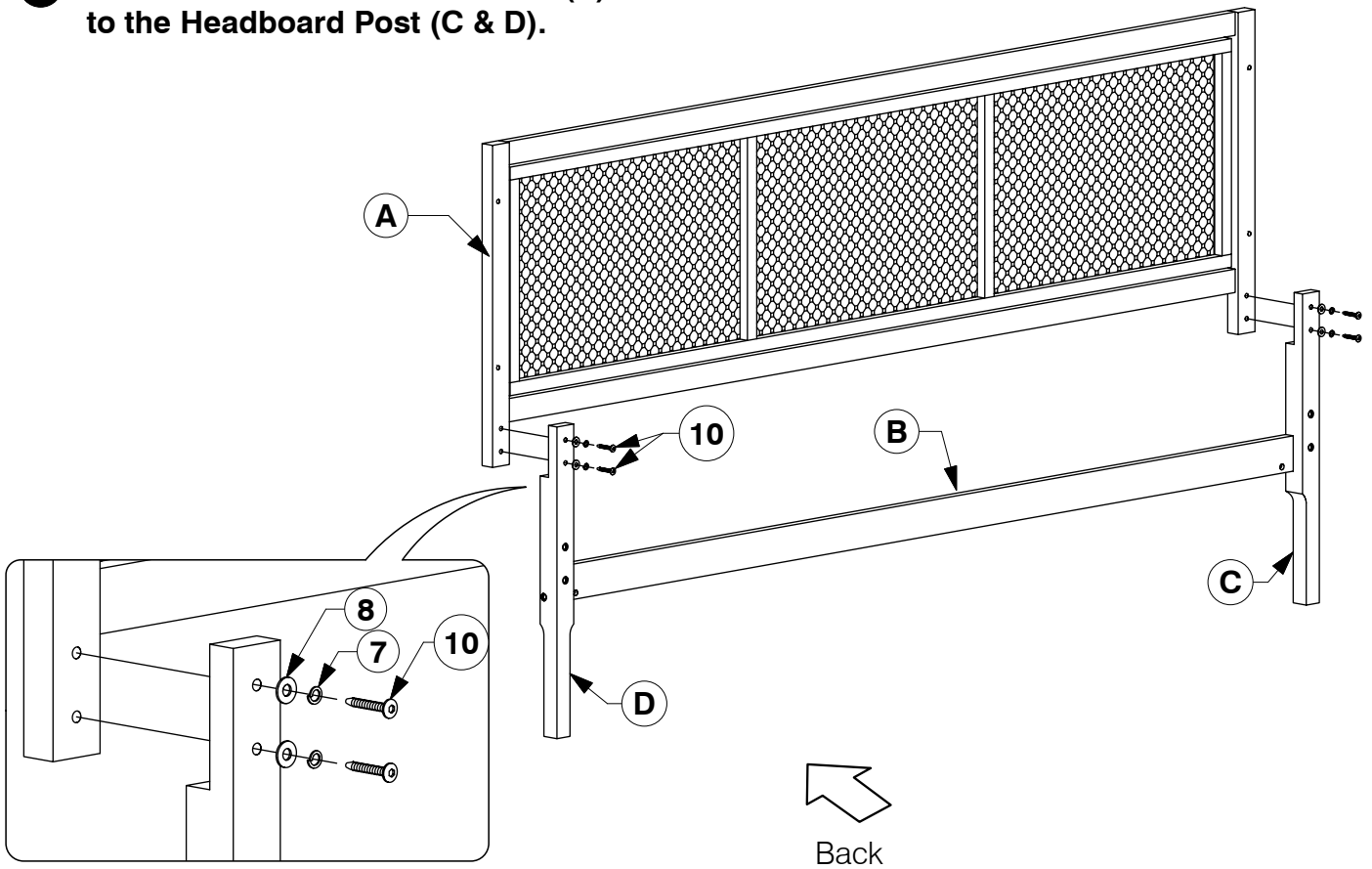


0070 King Bed

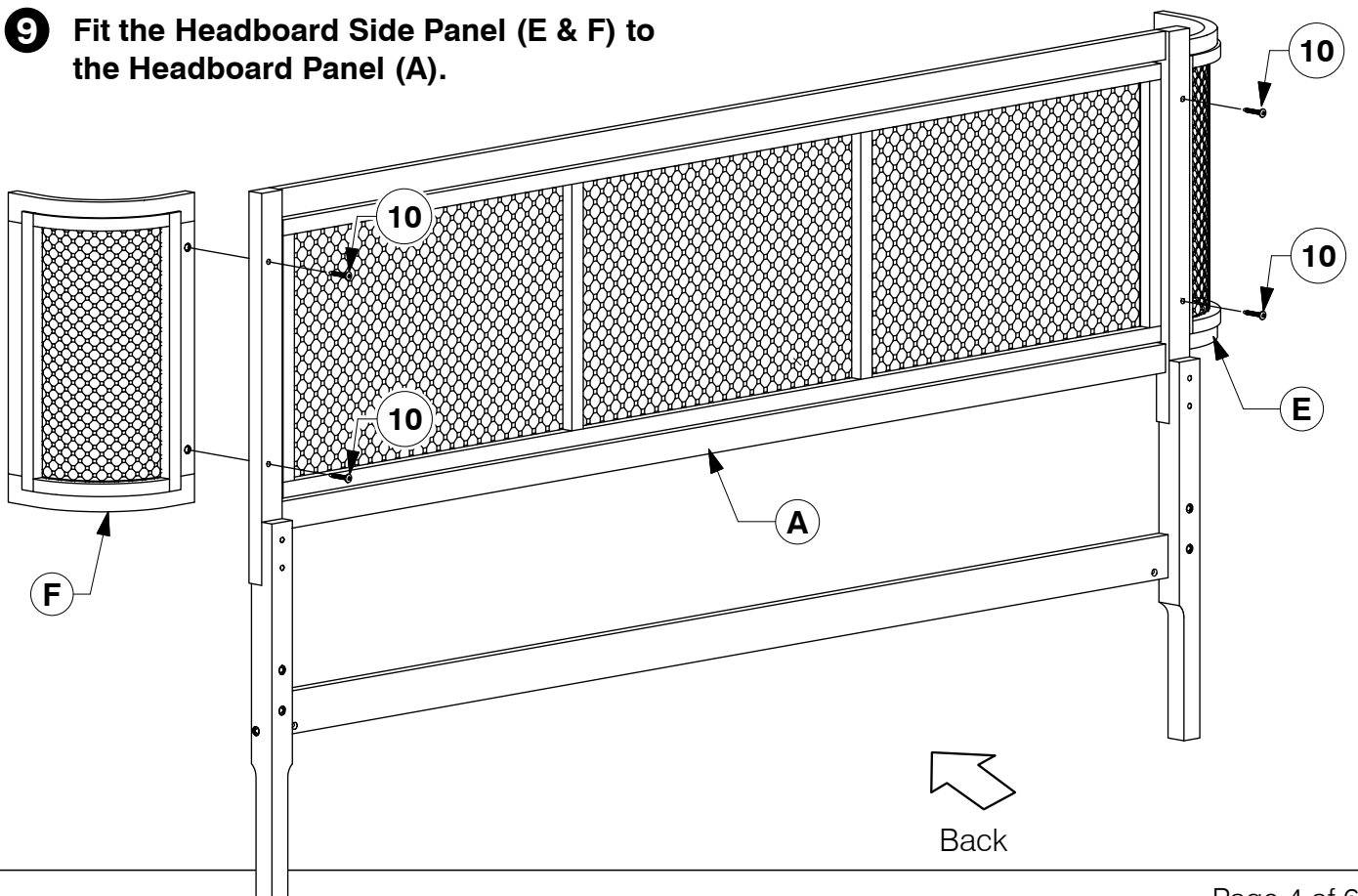
Assembly Instructions

WI-0521

- 8** Assemble the Headboard Panel (A) to the Headboard Post (C & D).



- 9** Fit the Headboard Side Panel (E & F) to the Headboard Panel (A).

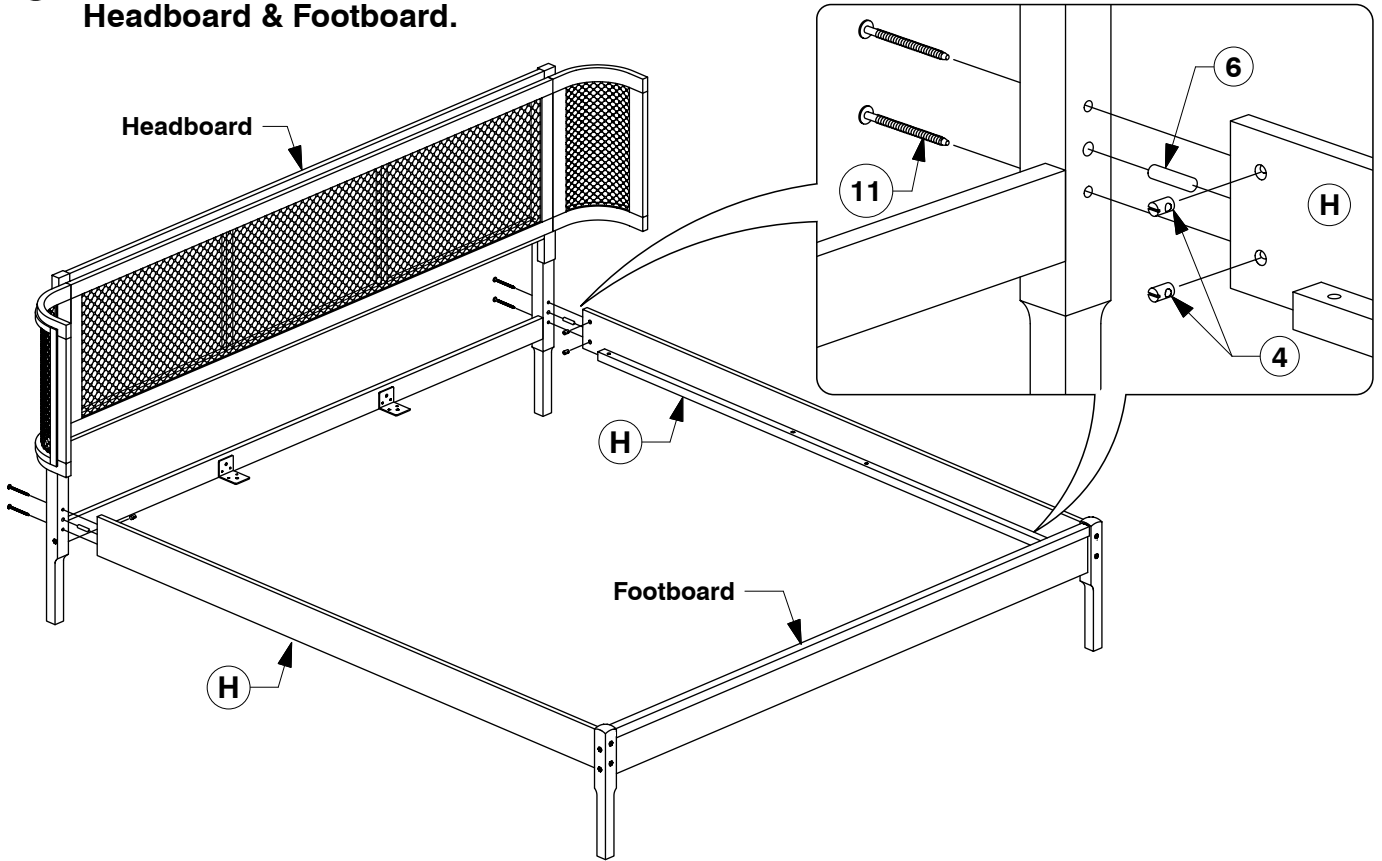


0070 King Bed

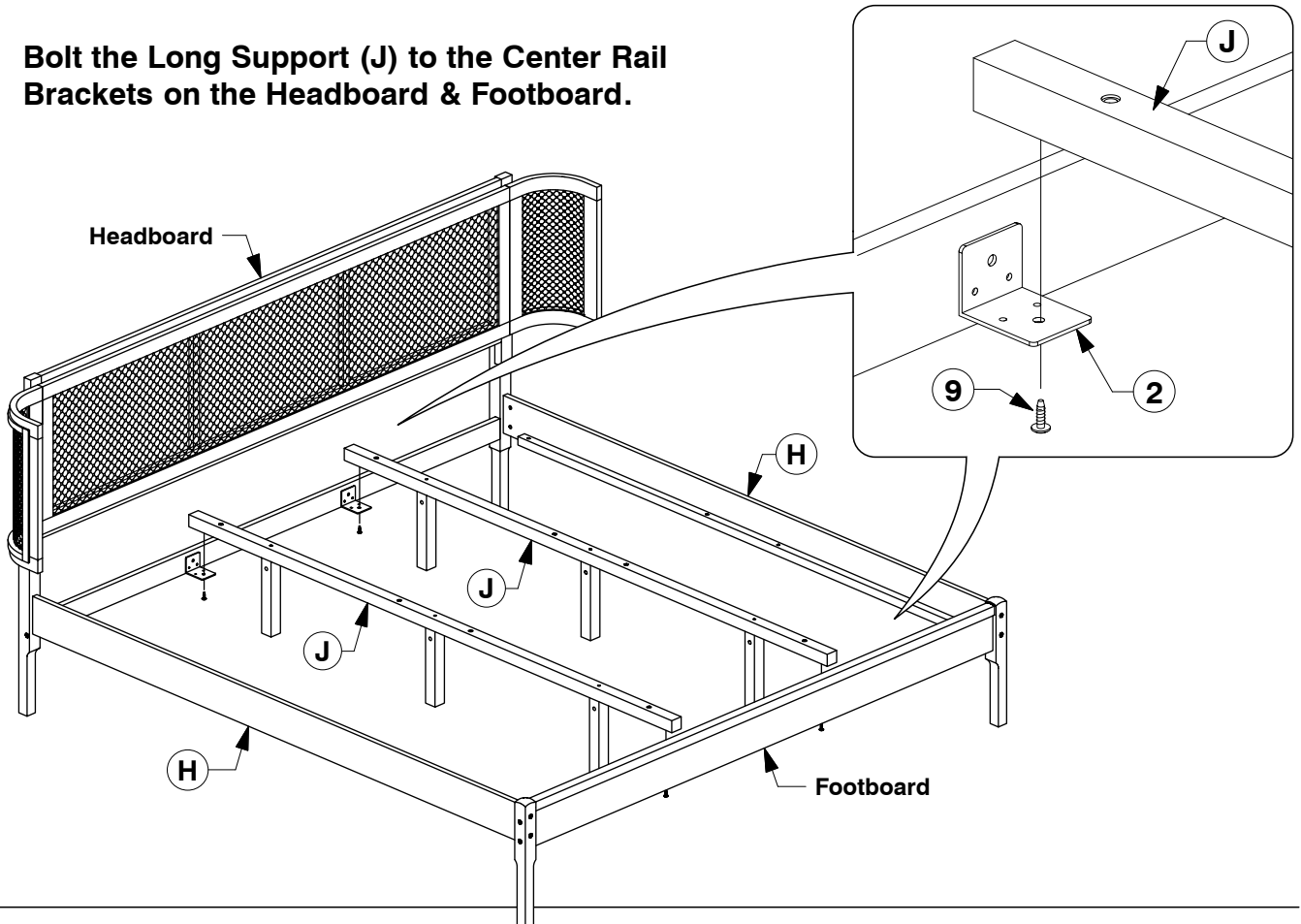
Assembly Instructions

WI-0521

- 10** Assemble the Side Rail (H) to the Headboard & Footboard.



- 11** Bolt the Long Support (J) to the Center Rail Brackets on the Headboard & Footboard.

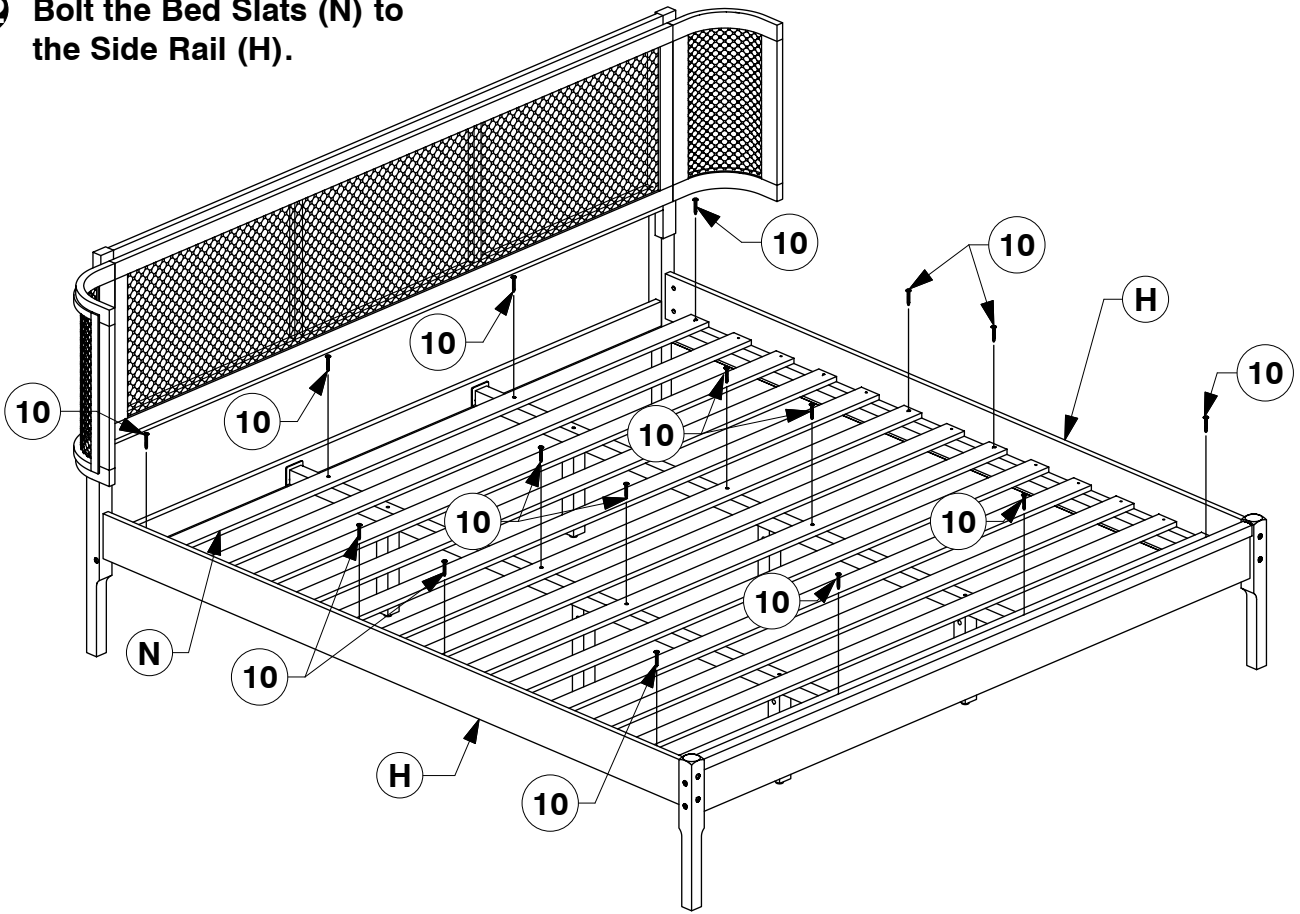


0070 King Bed

Assembly Instructions

WI-0521

- 12** Bolt the Bed Slats (N) to the Side Rail (H).



- 13** Screw the Bed Slats (N) to the Side Rail (H).

