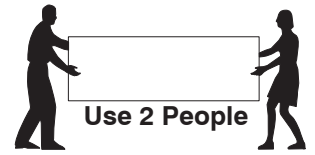
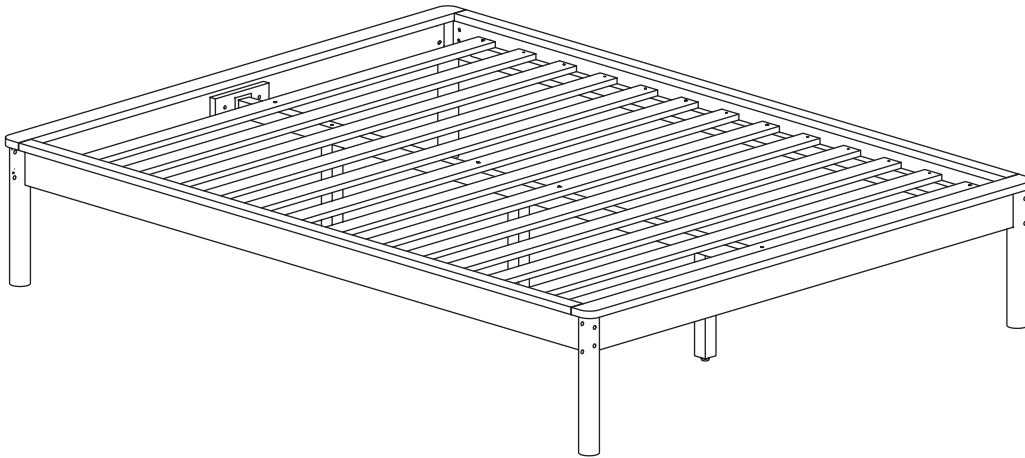


007-1 Queen

Assembly Instruction

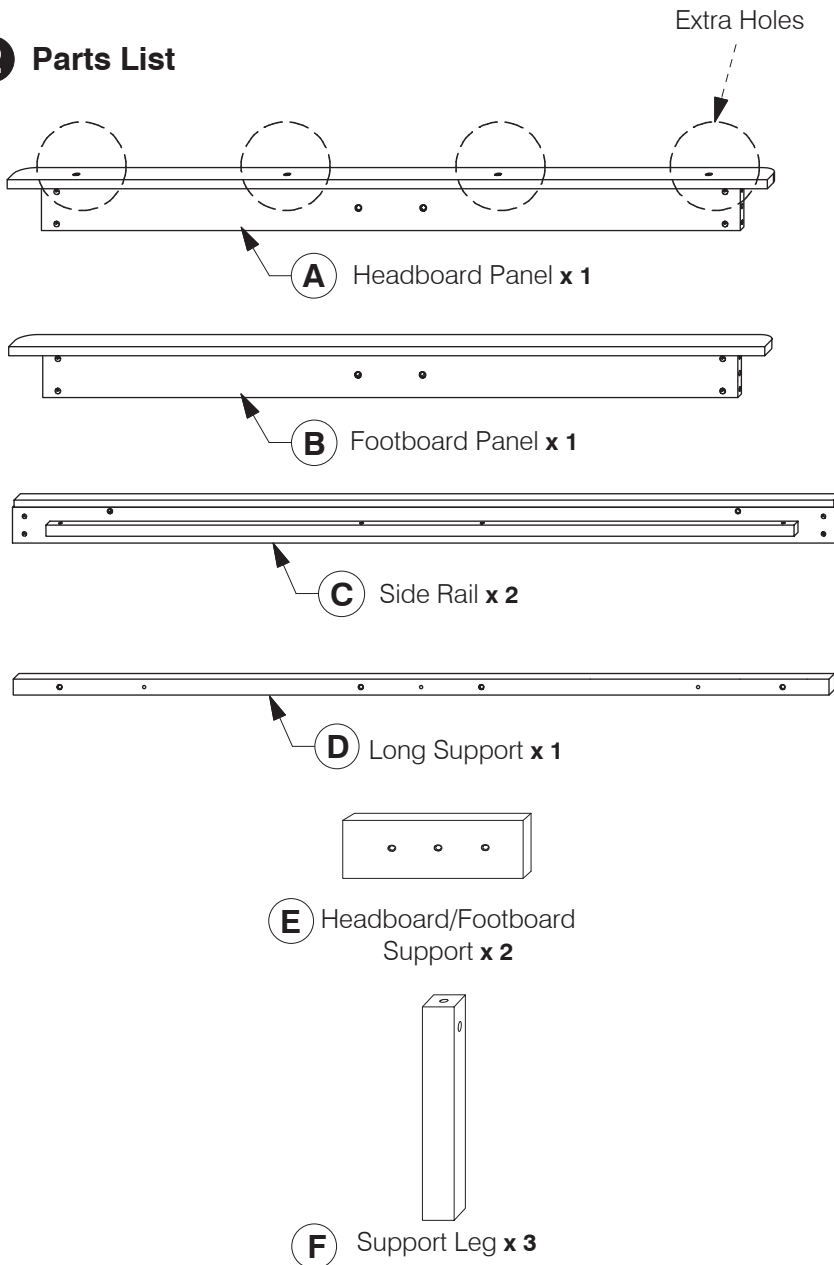
WI-0622

1 Assembled View

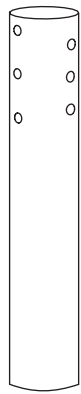


Note: Do not assemble using power tools. This can cause the bolts to be overtightened.

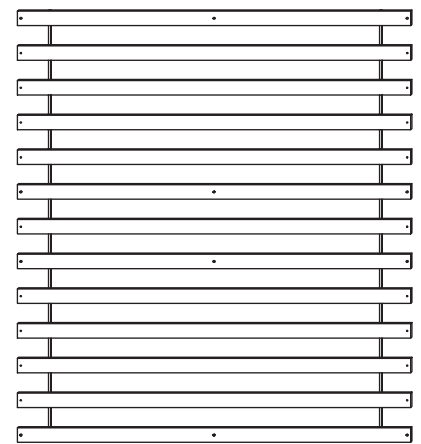
2 Parts List



G
Post
(Left hand)
x 2



H
Post
(Right hand)
x 2



J
Set of Bed slats
x 1

007-1 Queen

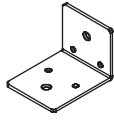
Assembly Instructions

WI-0622

3 Hardware



1 M4 Allen Key
x 1



2 Centre Rail
Bracket x 2



3 Adjustable Foot
x 3



4 Wood Screw
(M4 x32mm)
x 18



5 Wood Dowel
(10 x 40mm)
x 8



6 Barrel Nut
x 19



7 M6 x 15mm JCB
x 4



8 M6 X 35mm
JCB x 4

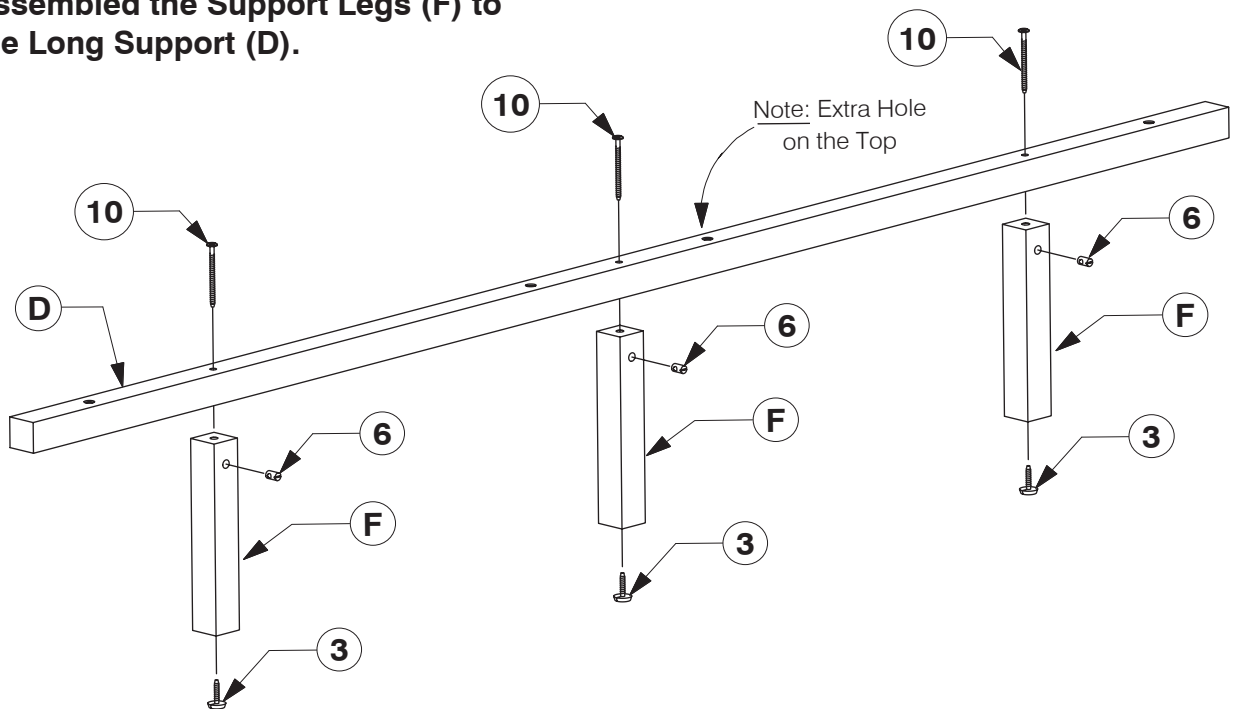


9 M6 x 40mm JCB
x 12

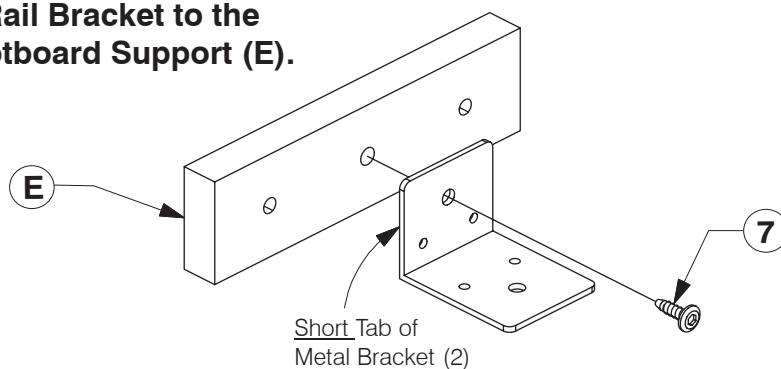


10 M6 x 90mm JCB
x 19

4 Assembled the Support Legs (F) to the Long Support (D).



5 Fit the Center Rail Bracket to the Headboard/Footboard Support (E).



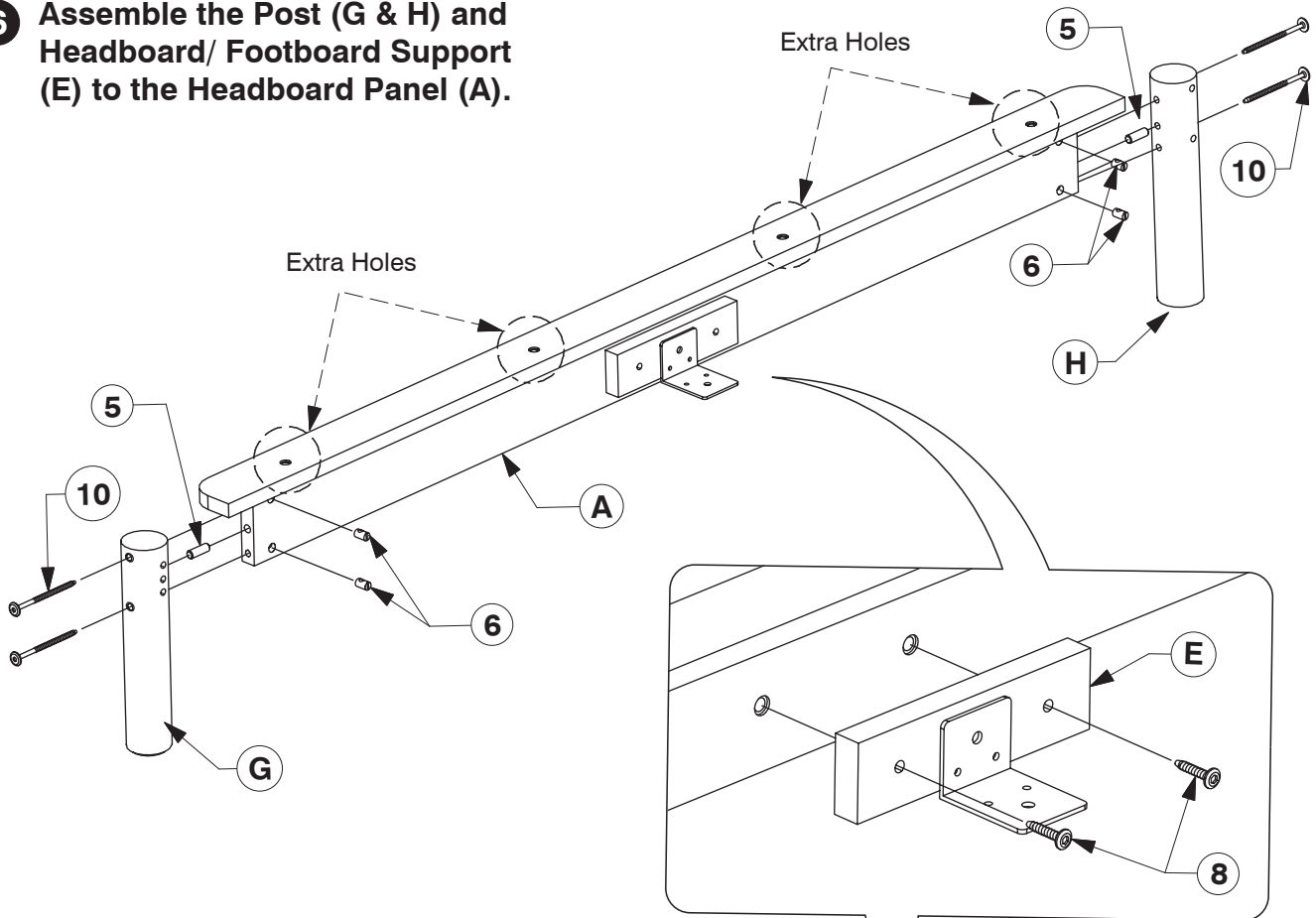
x2

007-1 Queen

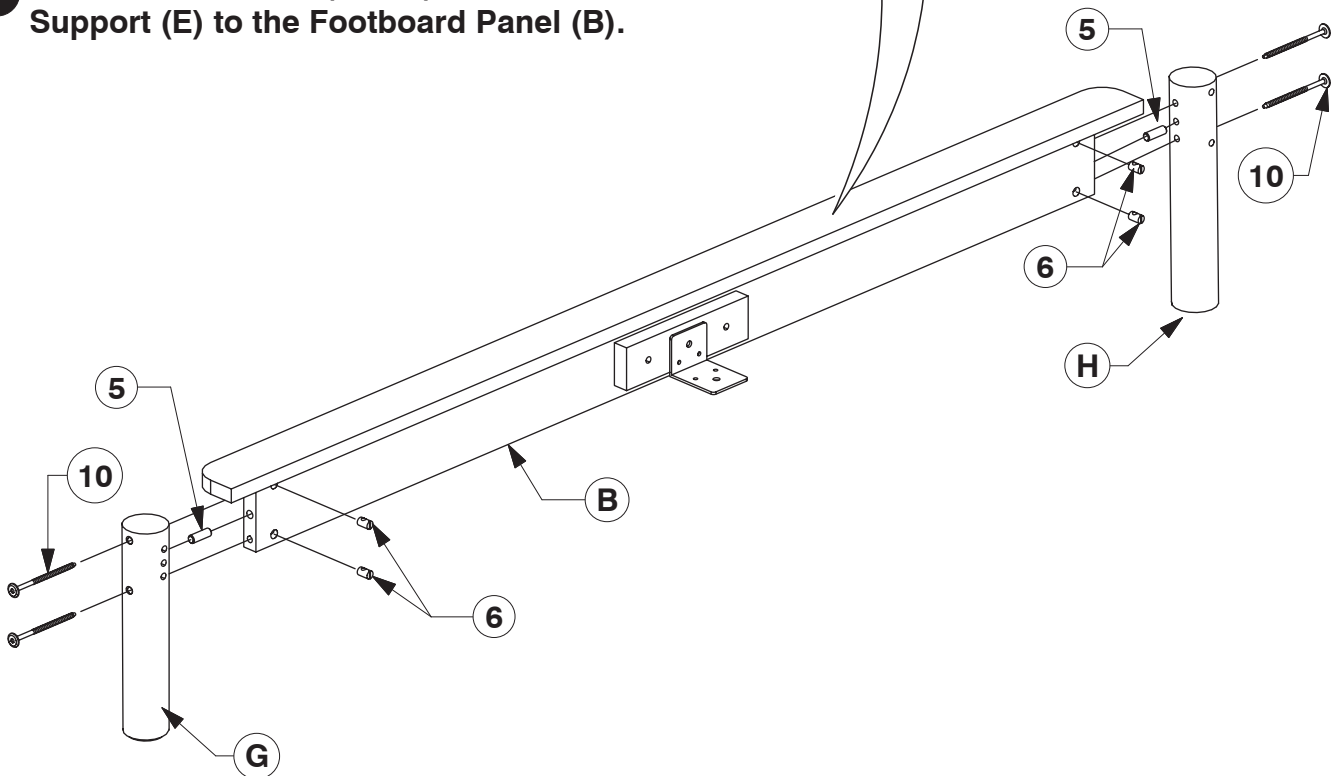
Assembly Instructions

WI-0622

- 6 Assemble the Post (G & H) and Headboard/ Footboard Support (E) to the Headboard Panel (A).**



- 7 Assemble the Post (G & H) and Headboard/ Footboard Support (E) to the Footboard Panel (B).**

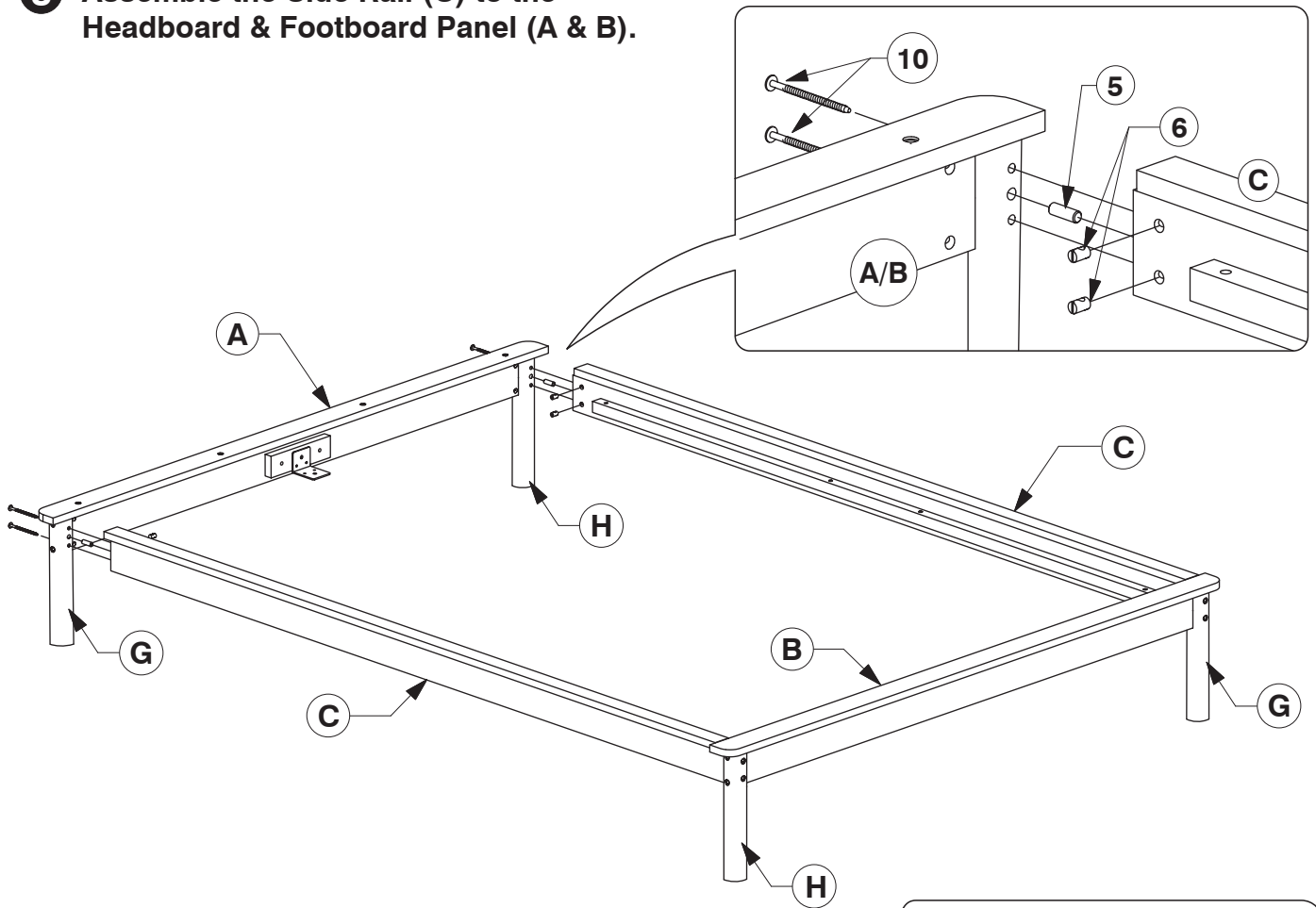


007-1 Queen

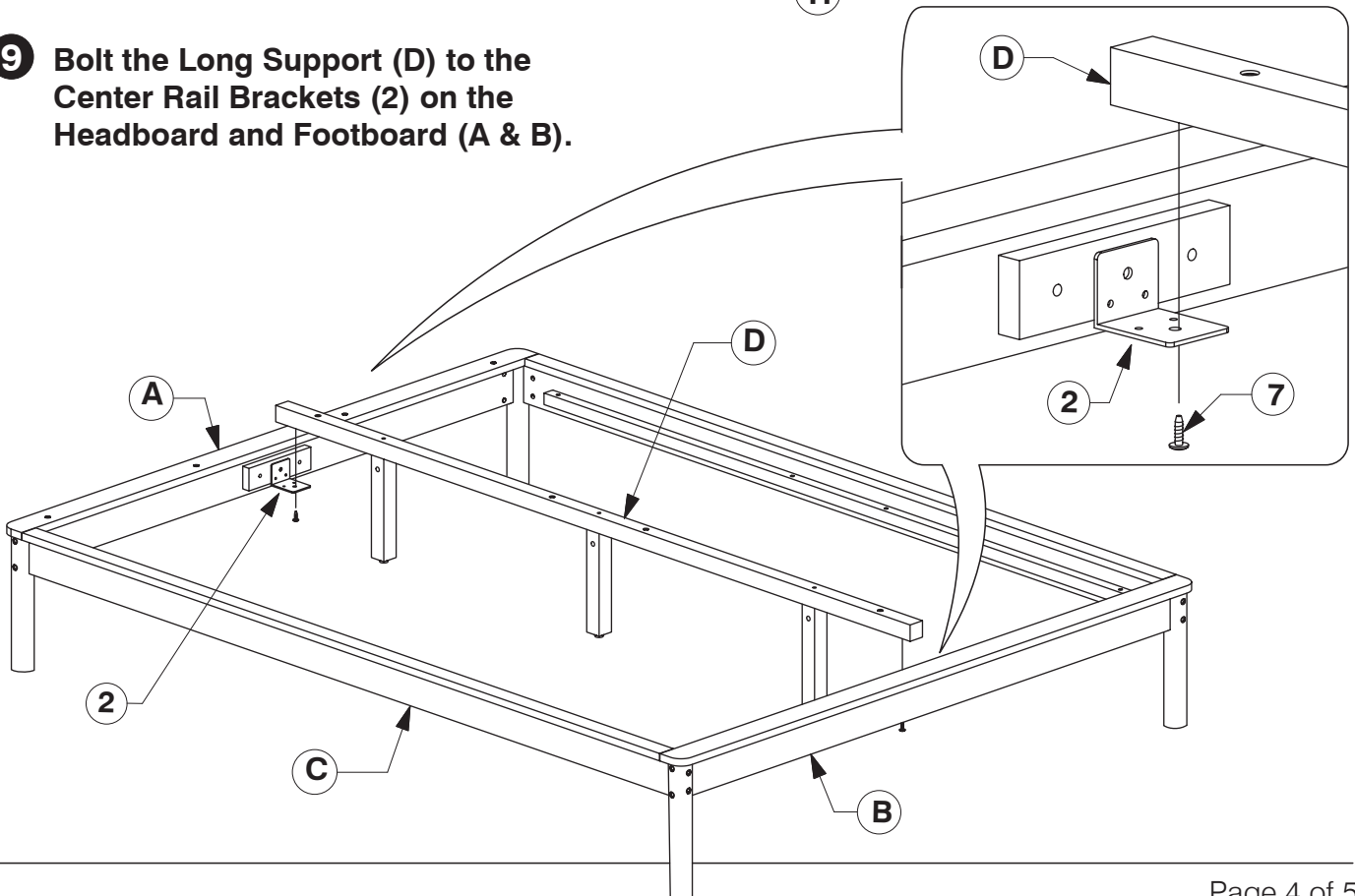
Assembly Instructions

WI-0622

- 8 Assemble the Side Rail (C) to the Headboard & Footboard Panel (A & B).**



- 9 Bolt the Long Support (D) to the Center Rail Brackets (2) on the Headboard and Footboard (A & B).**

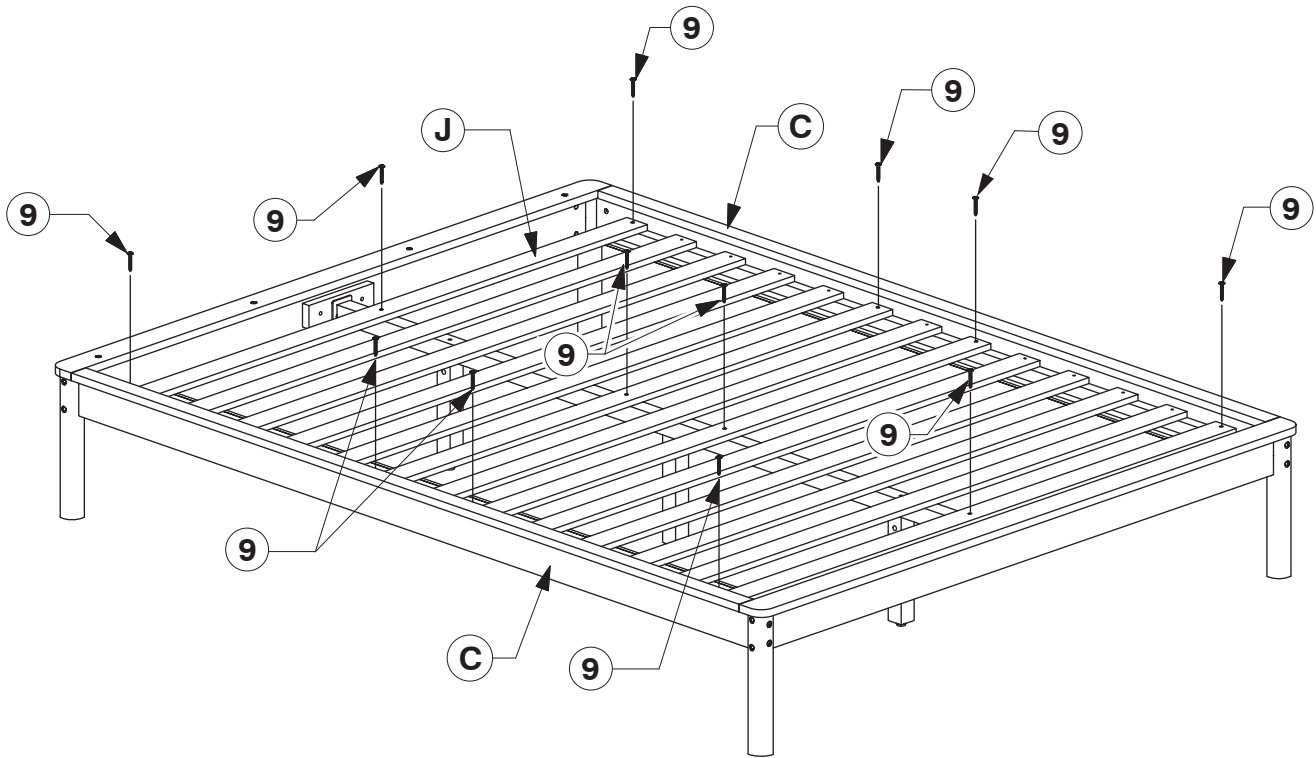


007-1 Queen

Assembly Instructions

WI-0622

10 Bolt the Bed Slats (J) to the Side Rail (C).



11 Screw the Bed Slats (J) to the Side Rail (C).

