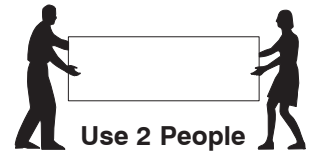
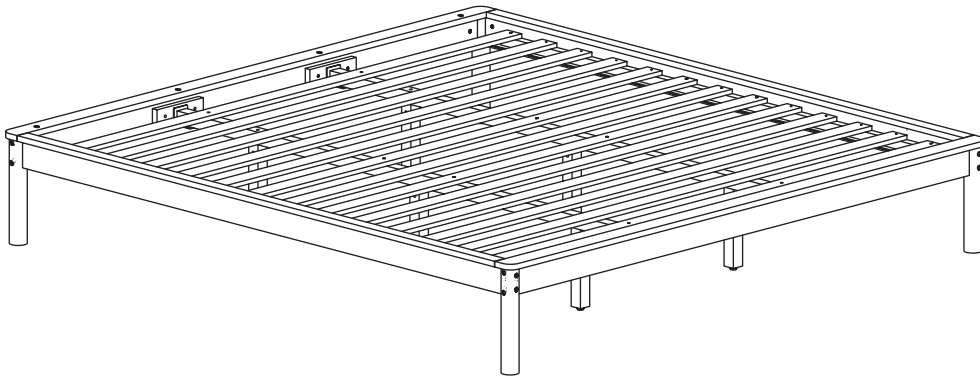


# 007-1 King Bed

Assembly Instruction

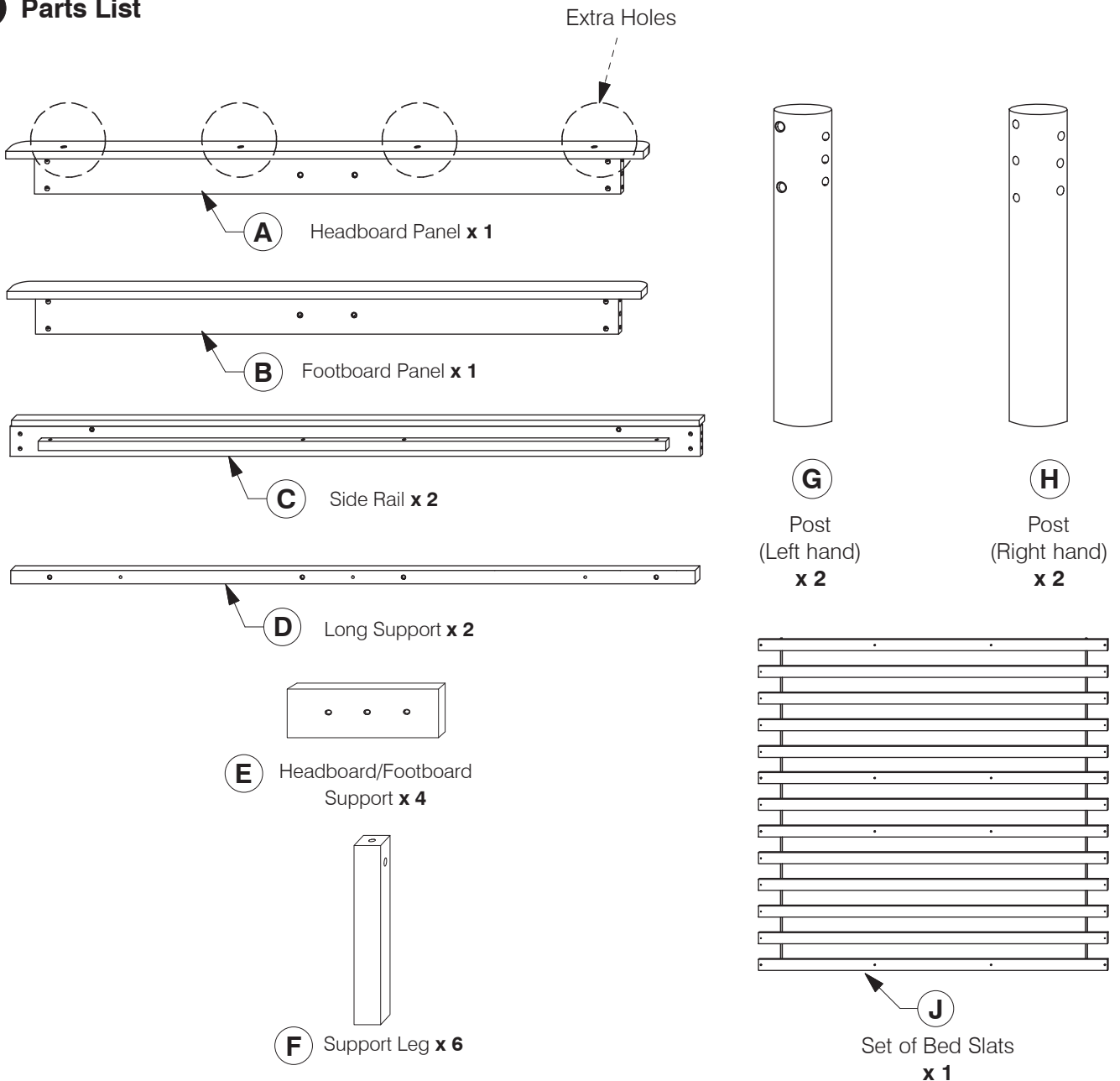
WI-0622

## 1 Assembled View



**Note:** Do not assemble using power tools. This can cause the bolts to be overtightened

## 2 Parts List



# 007-1 King Bed

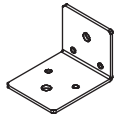
## Assembly Instruction

WI-0622

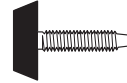
### 3 Hardware



1 M4 Allen Key  
x 1



2 Center Rail  
Bracket x 4



3 Adjustable  
Foot x 6



4 Wood Screw  
(M4 x 32mm)  
x 18



5 Wood Dowel  
(10 x 40mm) x 8



6 Barrel  
Nut x 22



7 M6 x 15mm JCB  
x 8



8 M6 x 35mm JCB  
x 8

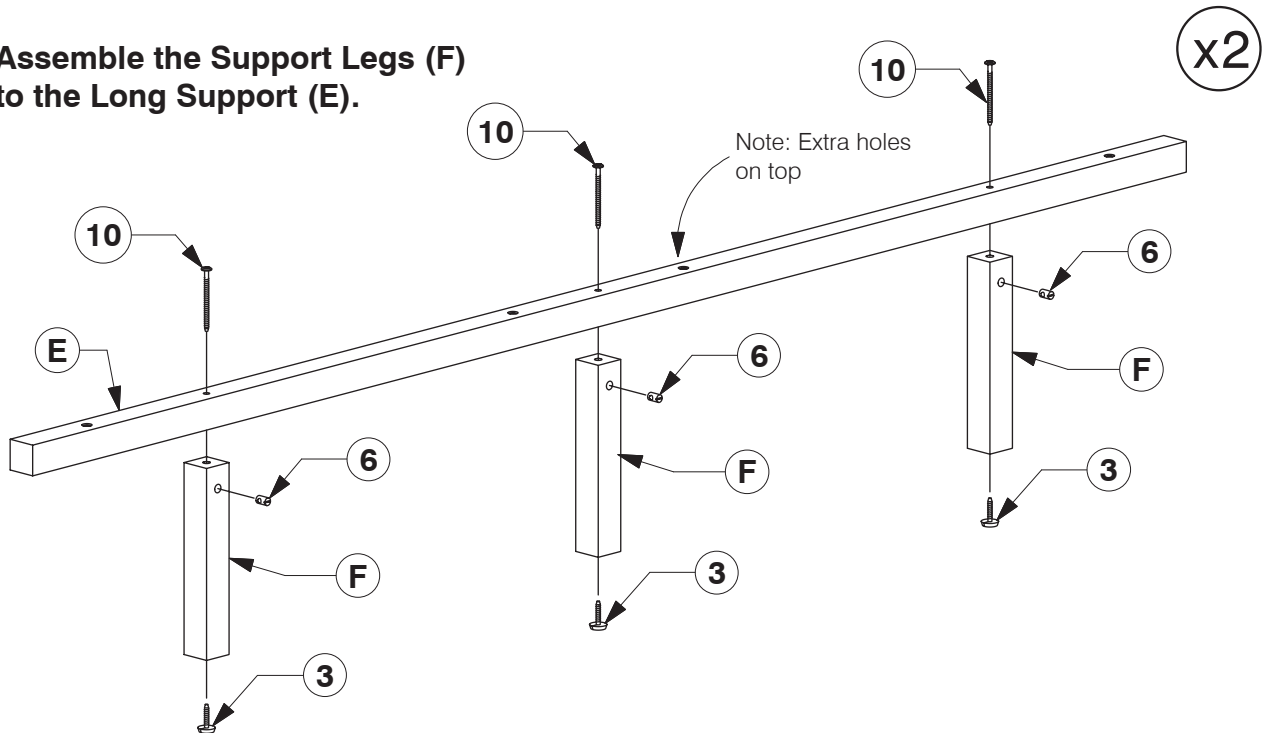


9 M6 x 40mm JCB  
x 16

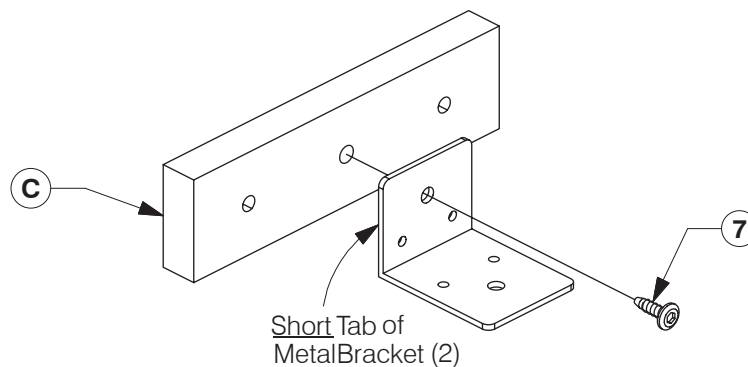


10 M6 x 90mm JCB  
x 22

### 4 Assemble the Support Legs (F) to the Long Support (E).



### 5 Fit the Center Rail Bracket to the Head / Footboard Support (C).

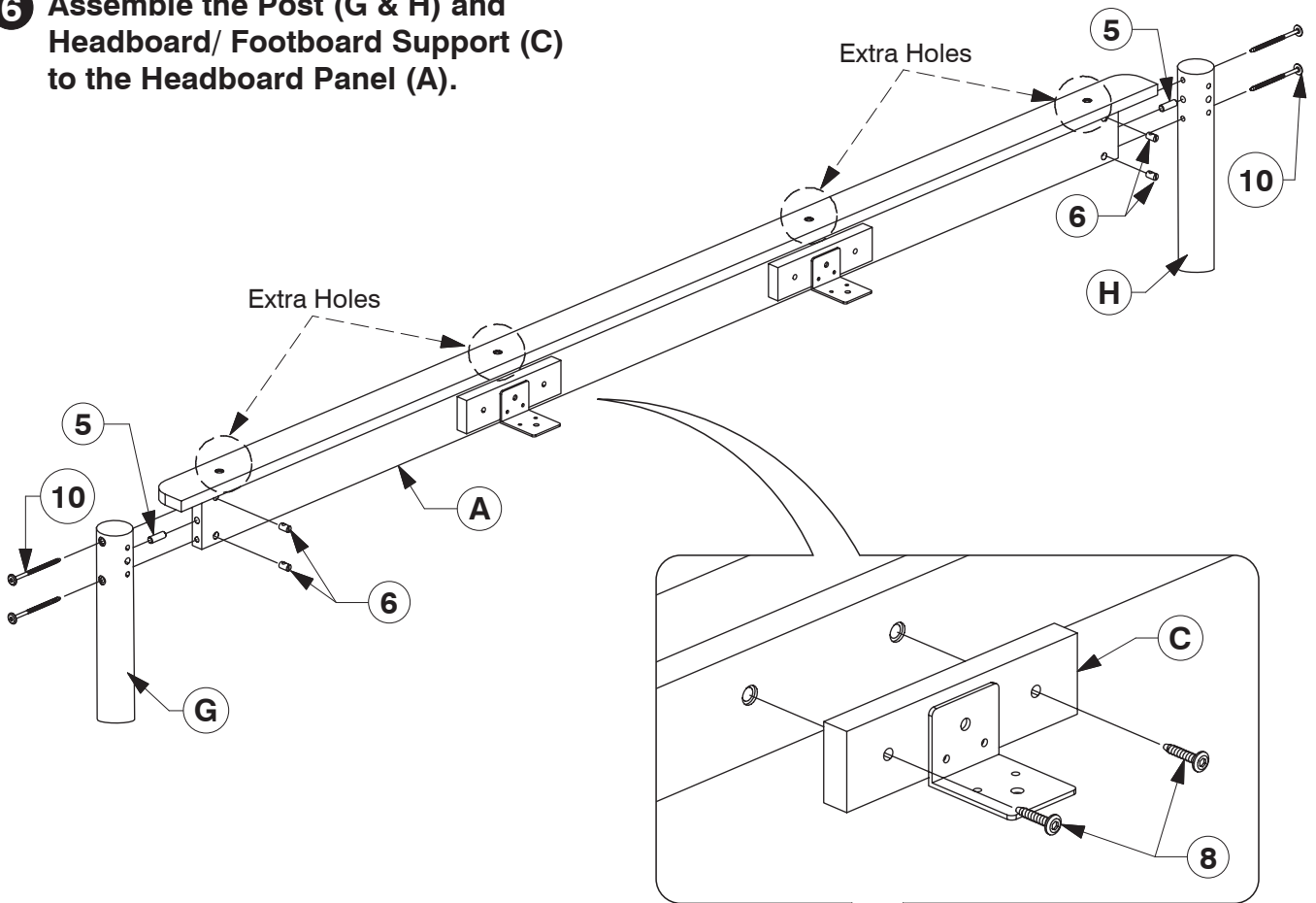


# 007-1 King Bed

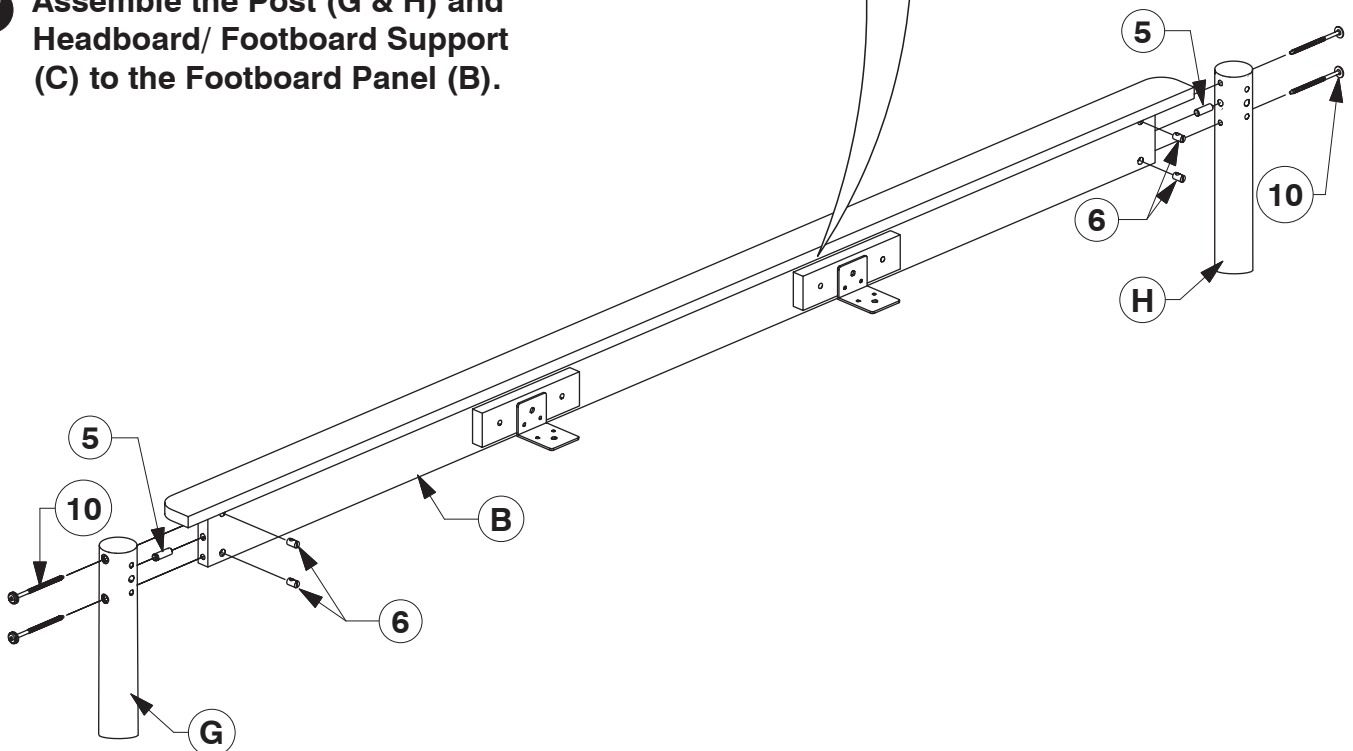
## Assembly Instruction

WI-0622

- 6** Assemble the Post (G & H) and Headboard/ Footboard Support (C) to the Headboard Panel (A).



- 7** Assemble the Post (G & H) and Headboard/ Footboard Support (C) to the Footboard Panel (B).

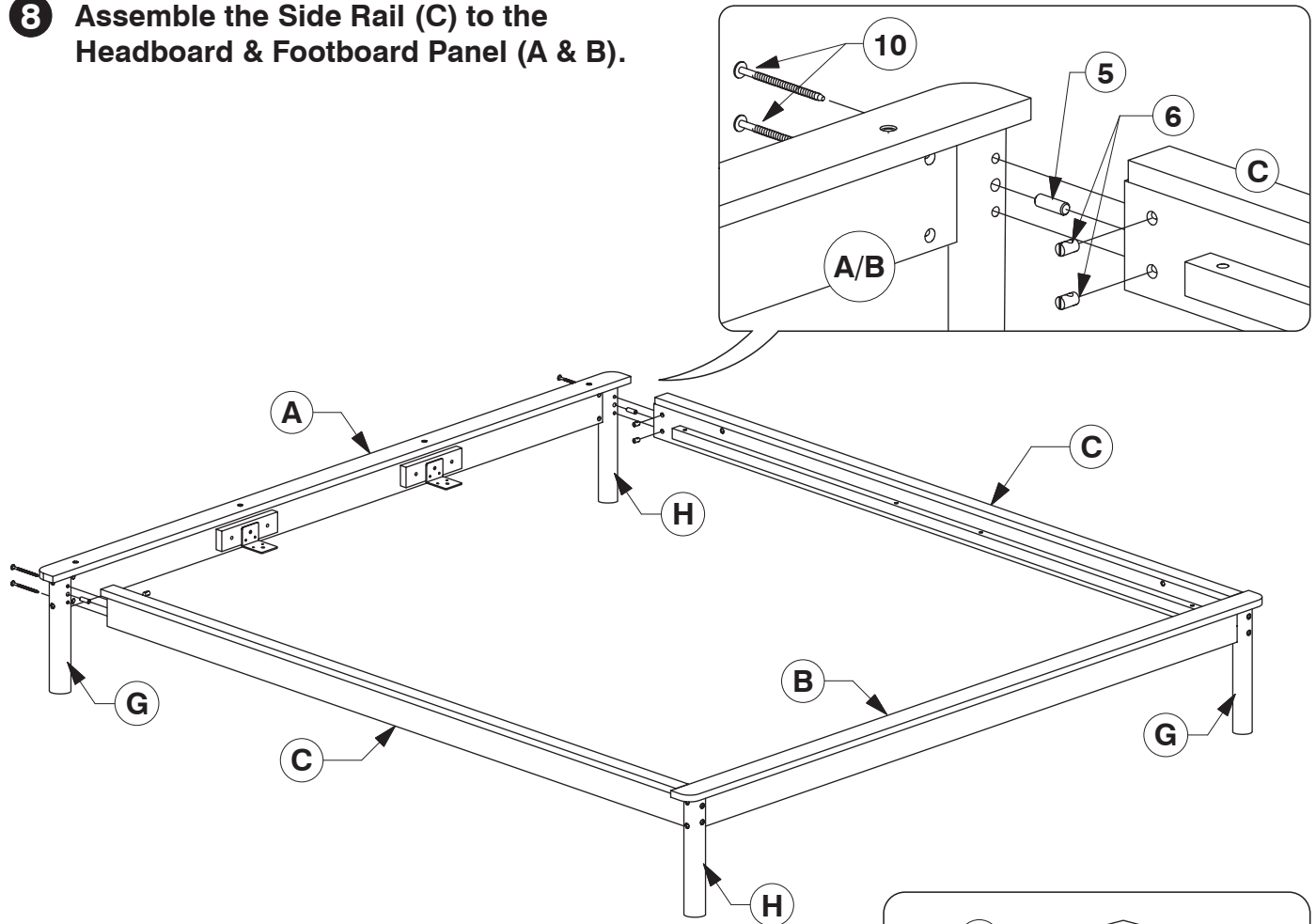


# 007-1 King Bed

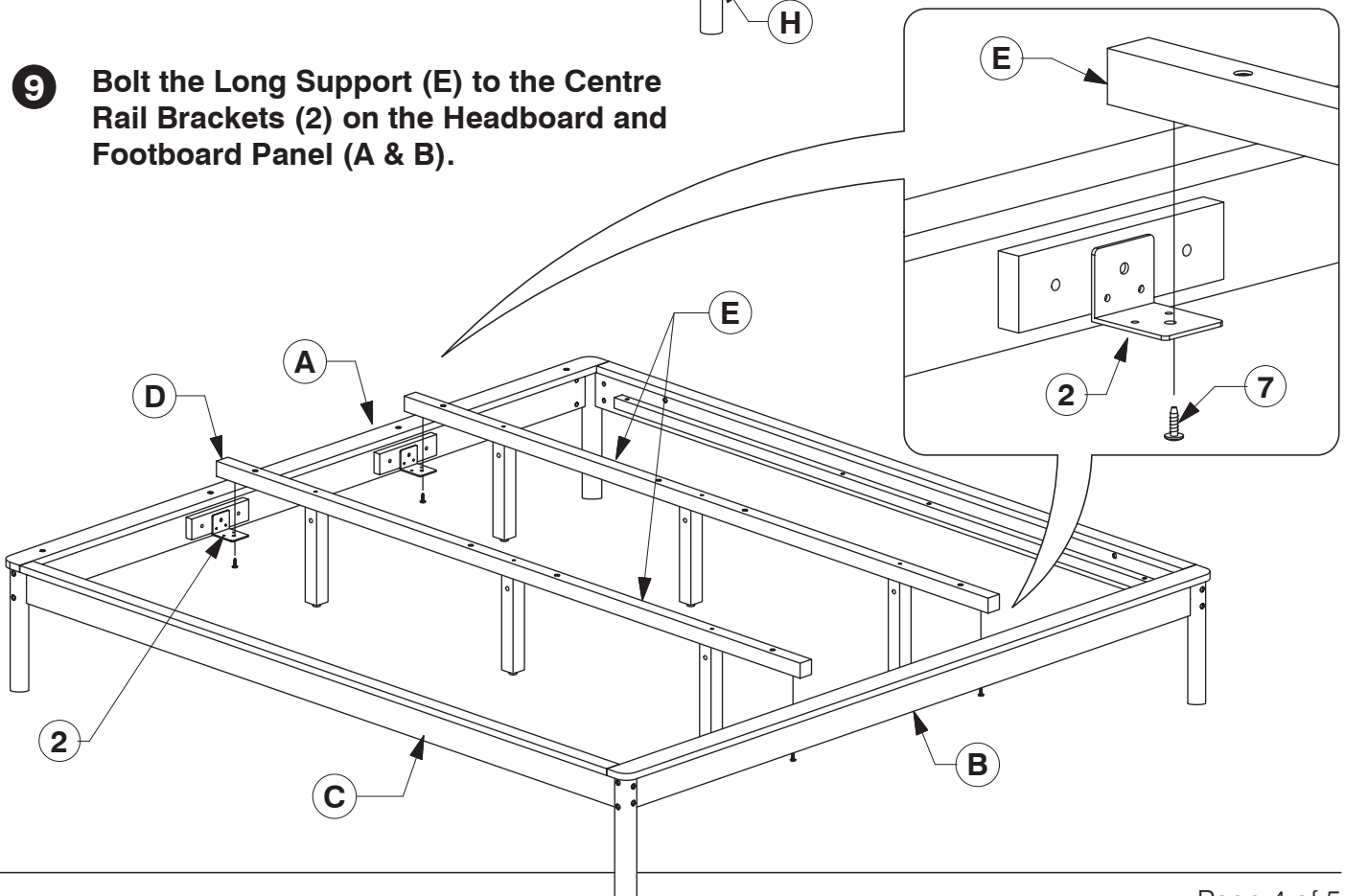
## Assembly Instruction

WI-0622

- 8 Assemble the Side Rail (C) to the Headboard & Footboard Panel (A & B).**



- 9 Bolt the Long Support (E) to the Centre Rail Brackets (2) on the Headboard and Footboard Panel (A & B).**

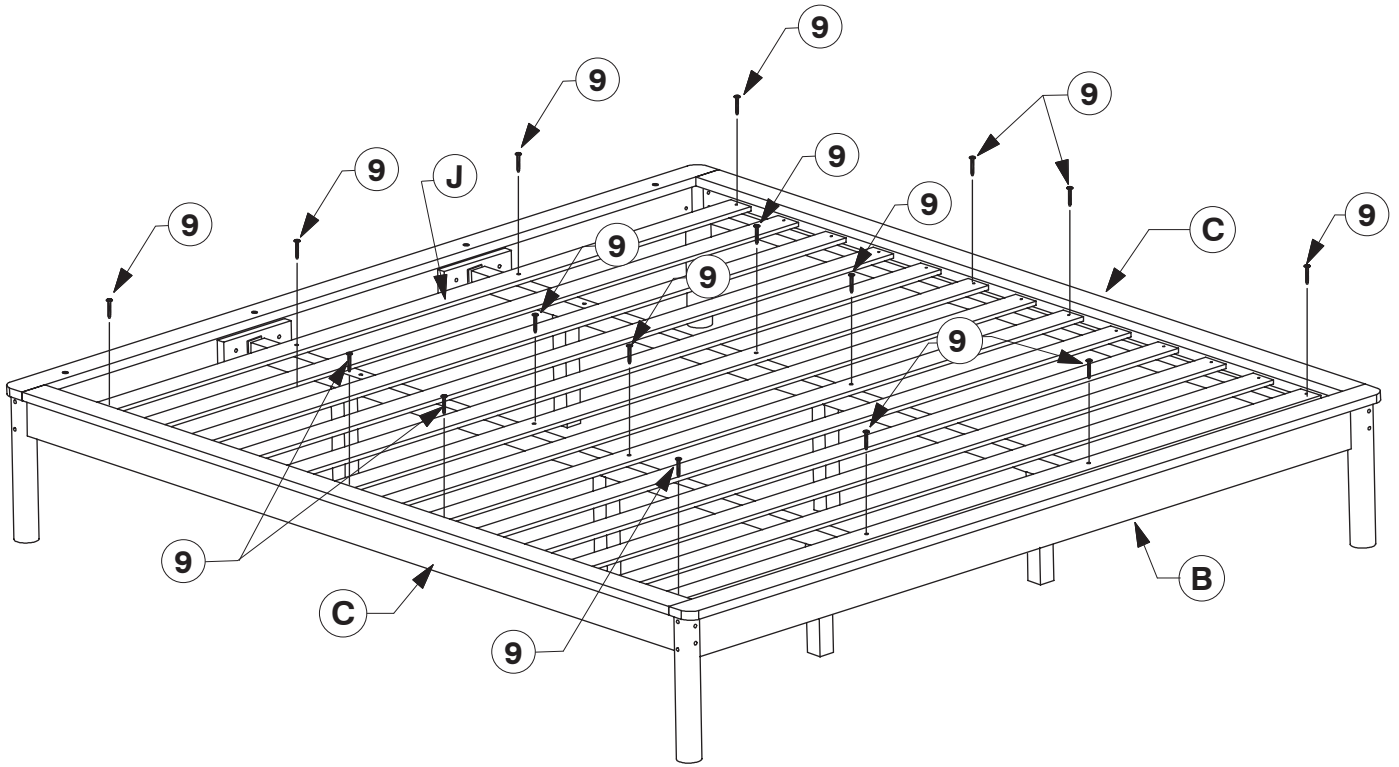


# 007-1 King Bed

Assembly Instruction

WI-0622

**10** Bolt the Bed Slats (J) to the Side Rail (C).



**11** Screw the Bed Slats (J) to the Side Rail (C).

