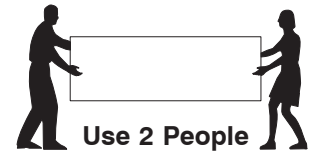
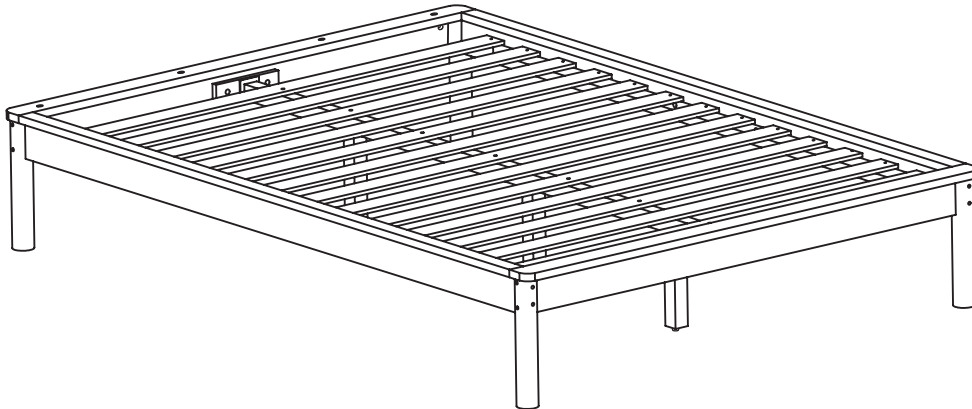


# 007-1 Full Bed

## Assembly Instruction

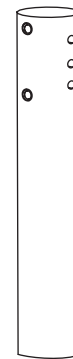
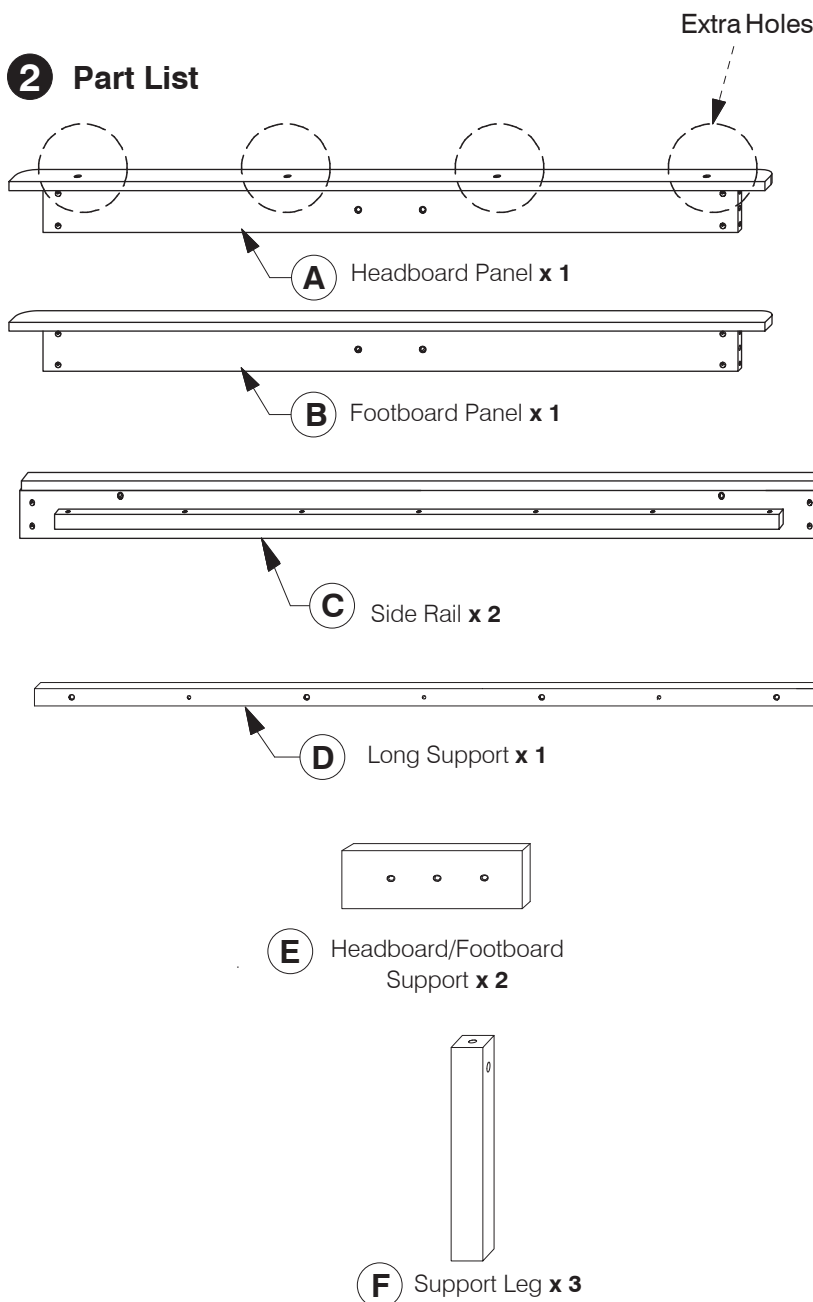
WI-0622

### 1 Assembled view



Note: Do not assemble using power tools. This can cause the bolts to be overtightened.

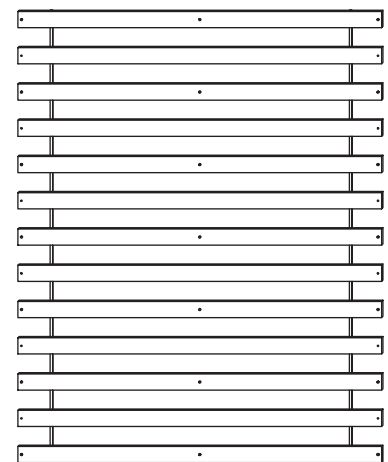
### 2 Part List



**G**  
Post  
(Left hand)  
x2



**H**  
Post  
(Right hand)  
x2



**J**  
Set of Bed Slats  
x1

# 007- 1 Full Bed

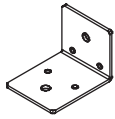
## Assembly Instruction

WI-0622

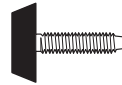
### 3 Hardware List



1 M4 Allen Key  
x 1



2 Center Rail  
Bracket x 2



3 Adjustable  
Foot x 3



4 Wood Screw  
(M4 x 32mm)  
x 12



5 Wood Dowel  
(10 x 40mm) x 8



6 Barrel  
Nut x 19



7 M6 x 15mm JCB  
x 4



8 M6 x 35mm JCB  
x 4



9 M6 x 40mm JCB  
x 18



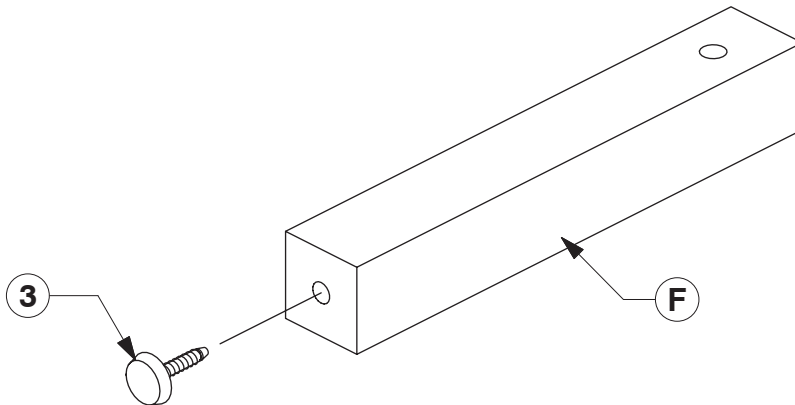
10 M6 x 90mm JCB  
x 16



11 M6 x 100mm JCB  
x 3

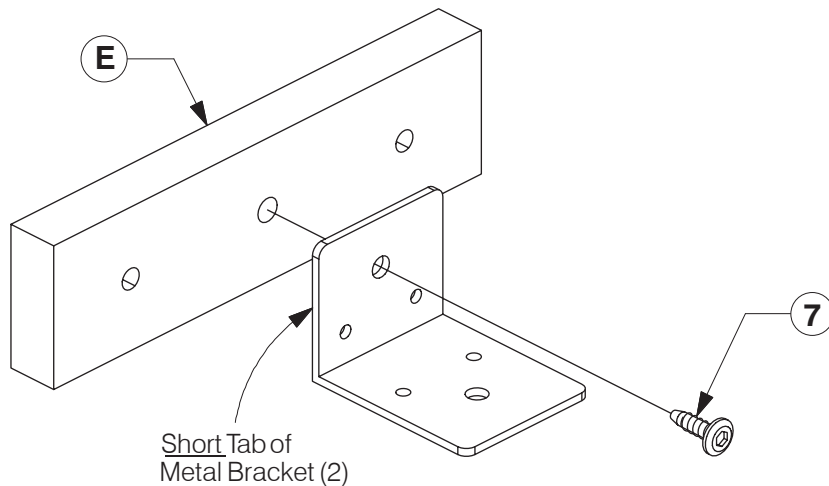
### 4 Fix the Adjustable foot to the bottom of the Support Leg (F).

x3



### 5 Fit the Centre Rail Bracket to the Headboard/Footboard Support (E).

x2

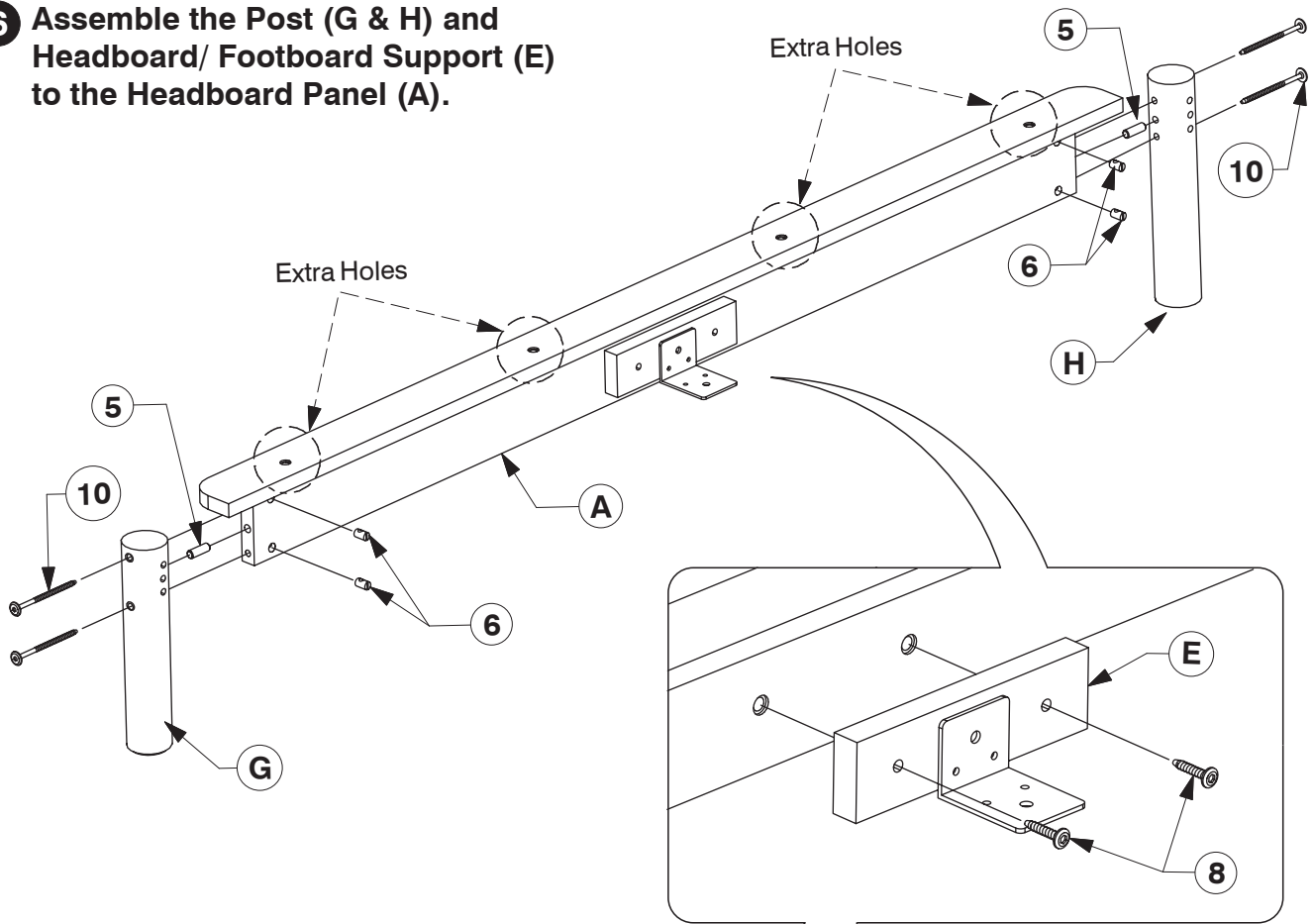


# 007- 1 Full Bed

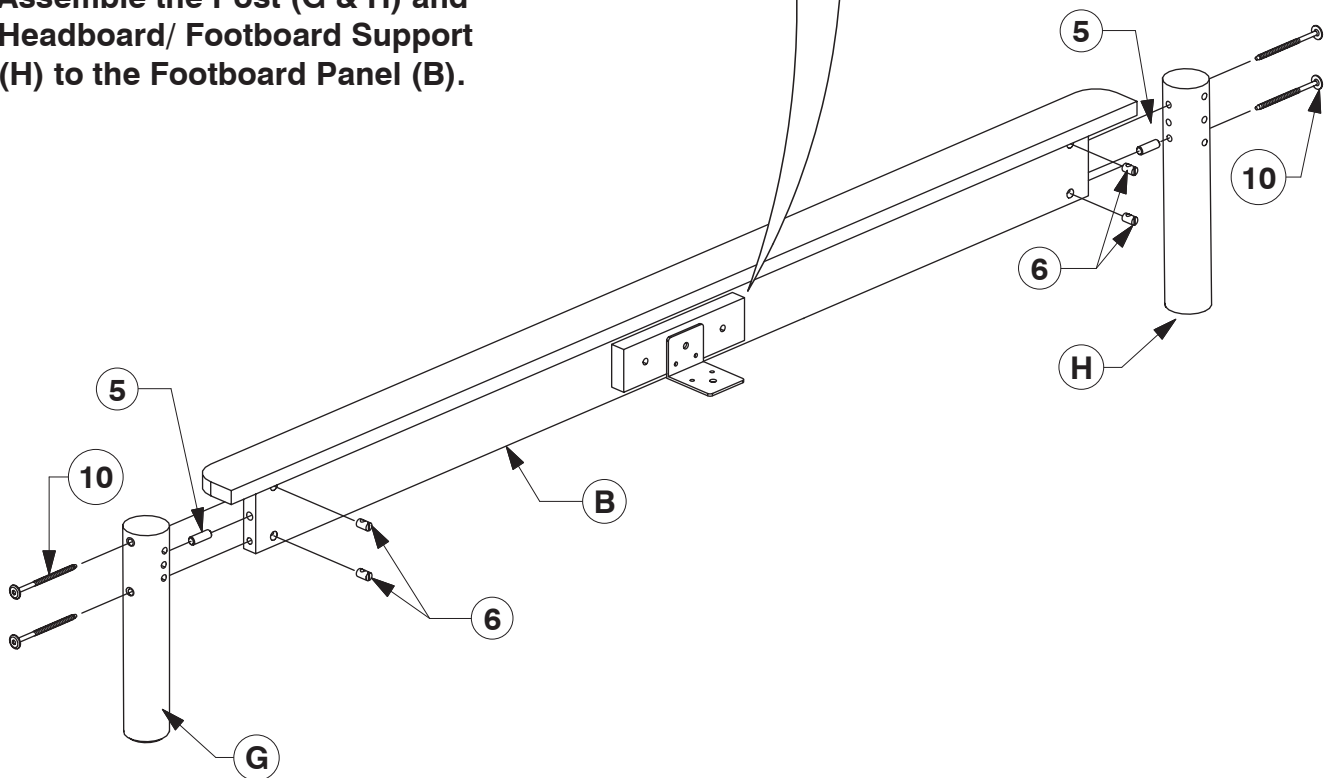
## Assembly Instruction

WI-0622

- 6 Assemble the Post (G & H) and Headboard/ Footboard Support (E) to the Headboard Panel (A).**



- 7 Assemble the Post (G & H) and Headboard/ Footboard Support (H) to the Footboard Panel (B).**

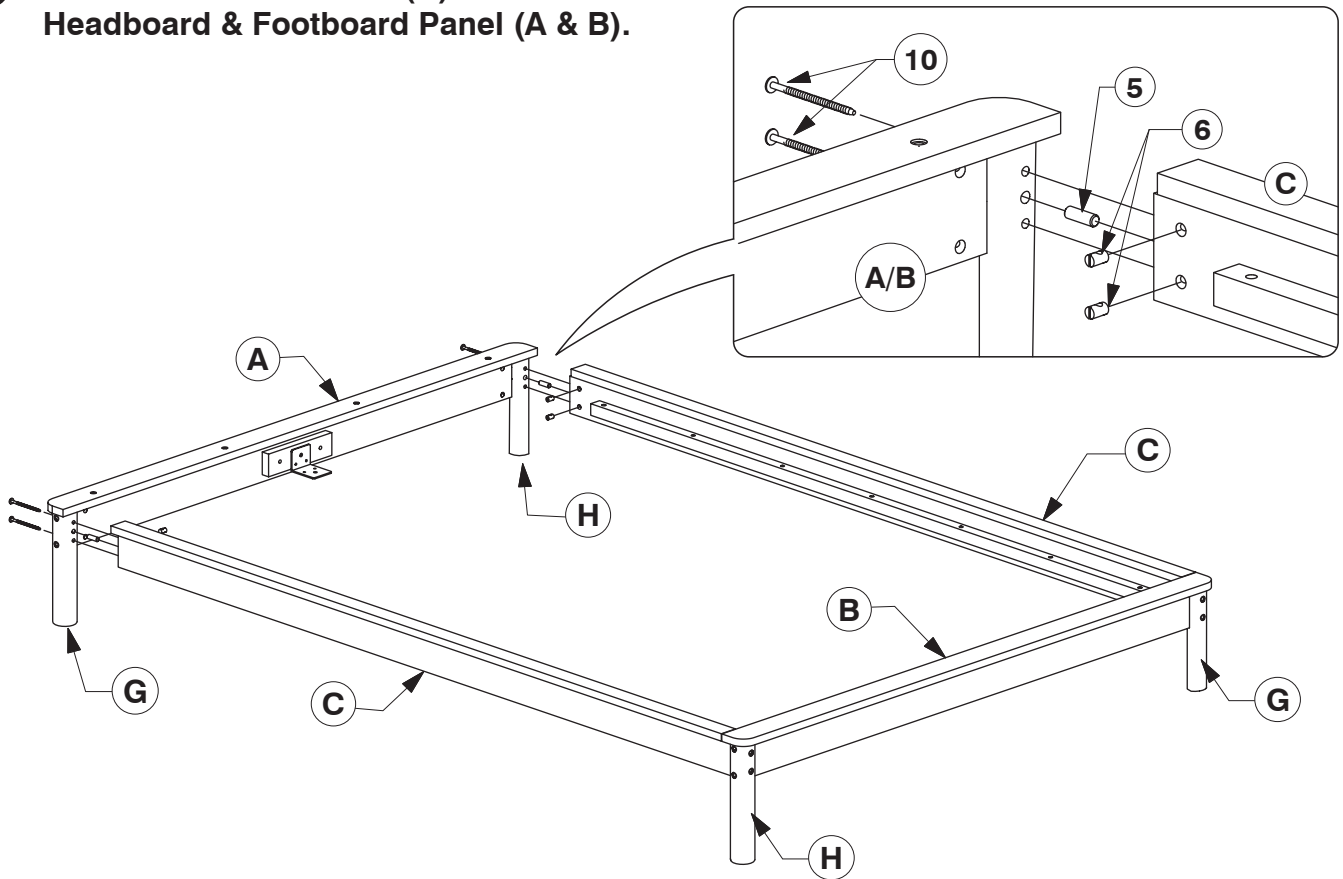


# 007- 1 Full Bed

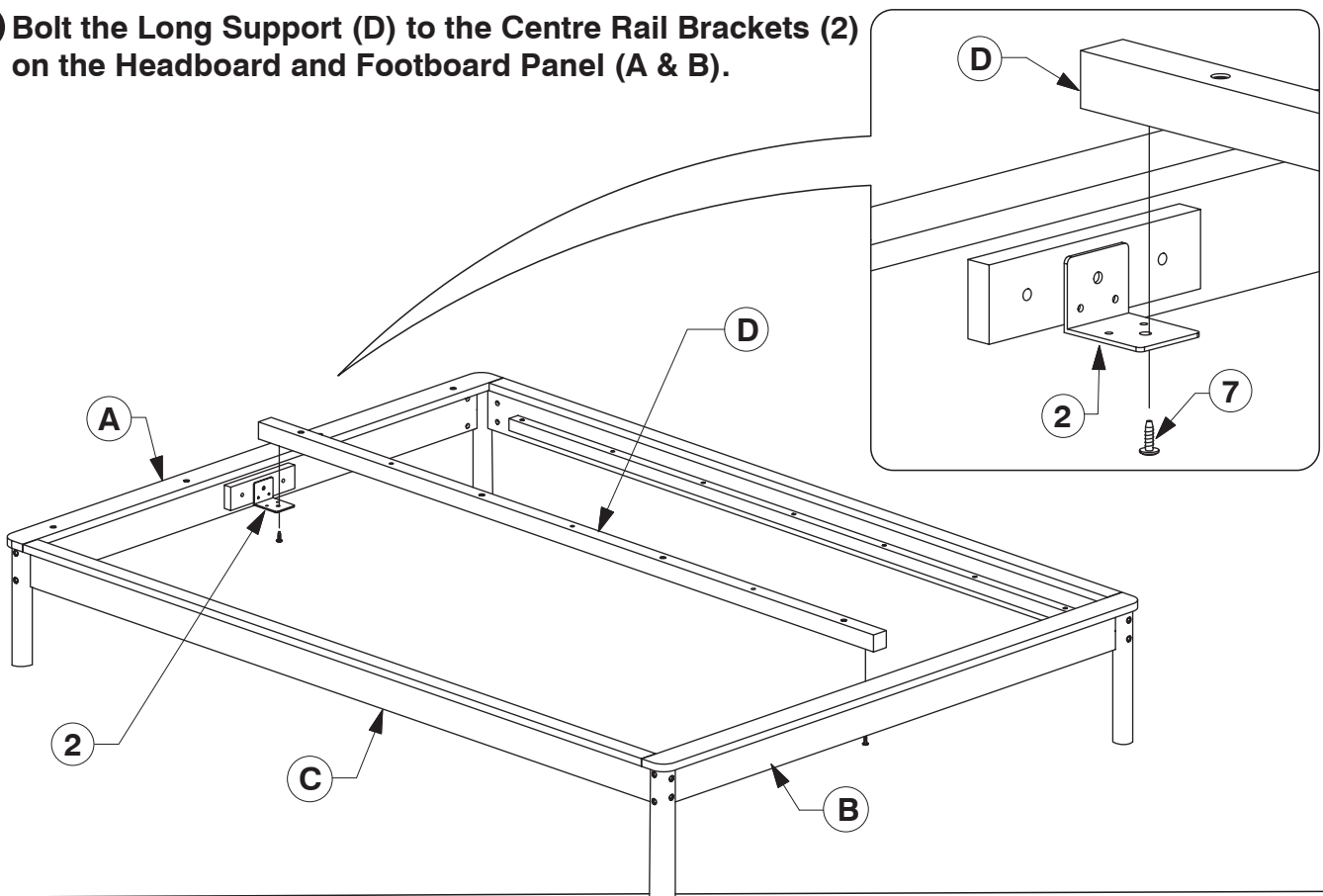
## Assembly Instruction

WI-0622

- 8** Assemble the Side Rail (C) to the assembled Headboard & Footboard Panel (A & B).



- 9** Bolt the Long Support (D) to the Centre Rail Brackets (2) on the Headboard and Footboard Panel (A & B).

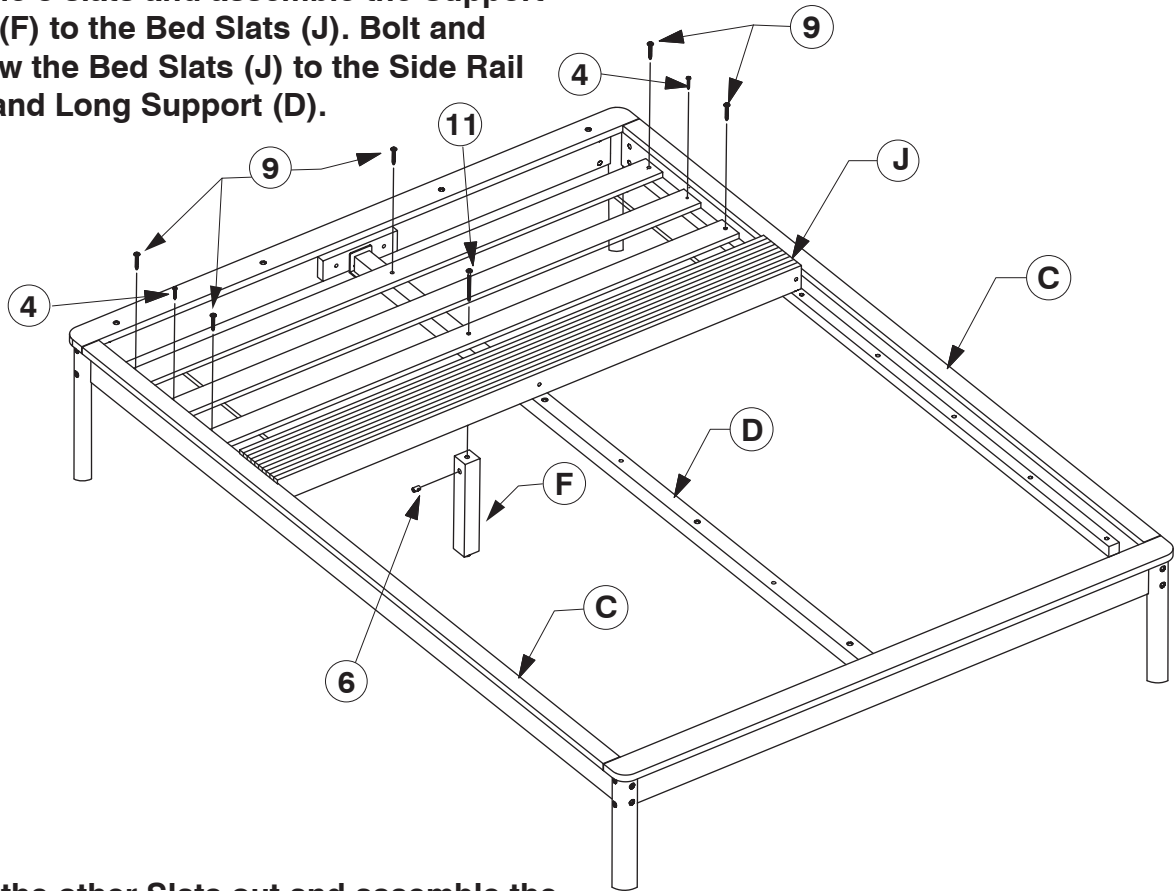


# 007- 1 Full Bed

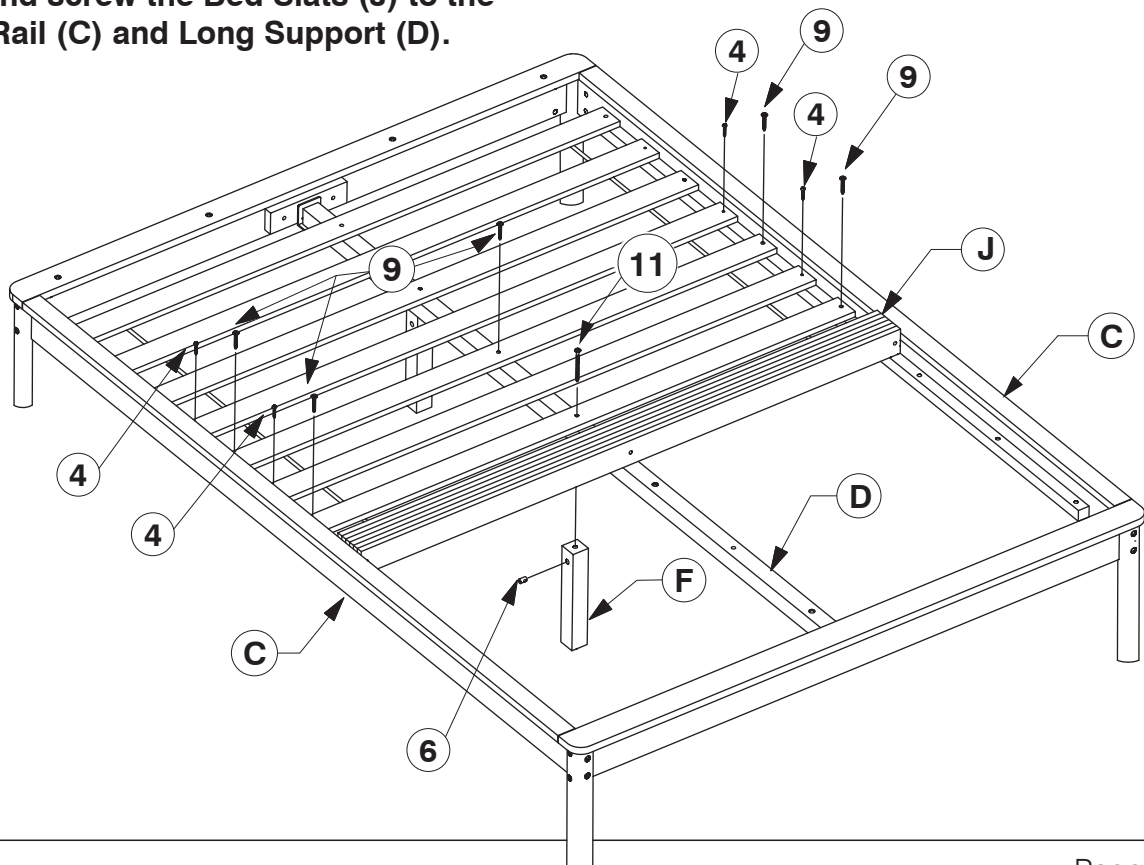
## Assembly Instruction

WI-0622

- 10** Fit the 3 slats and assemble the Support Leg (F) to the Bed Slats (J). Bolt and screw the Bed Slats (J) to the Side Rail (C) and Long Support (D).



- 11** Put the other Slats out and assemble the Support Leg (F) to the Bed Slats (J). Bolt and screw the Bed Slats (J) to the Side Rail (C) and Long Support (D).

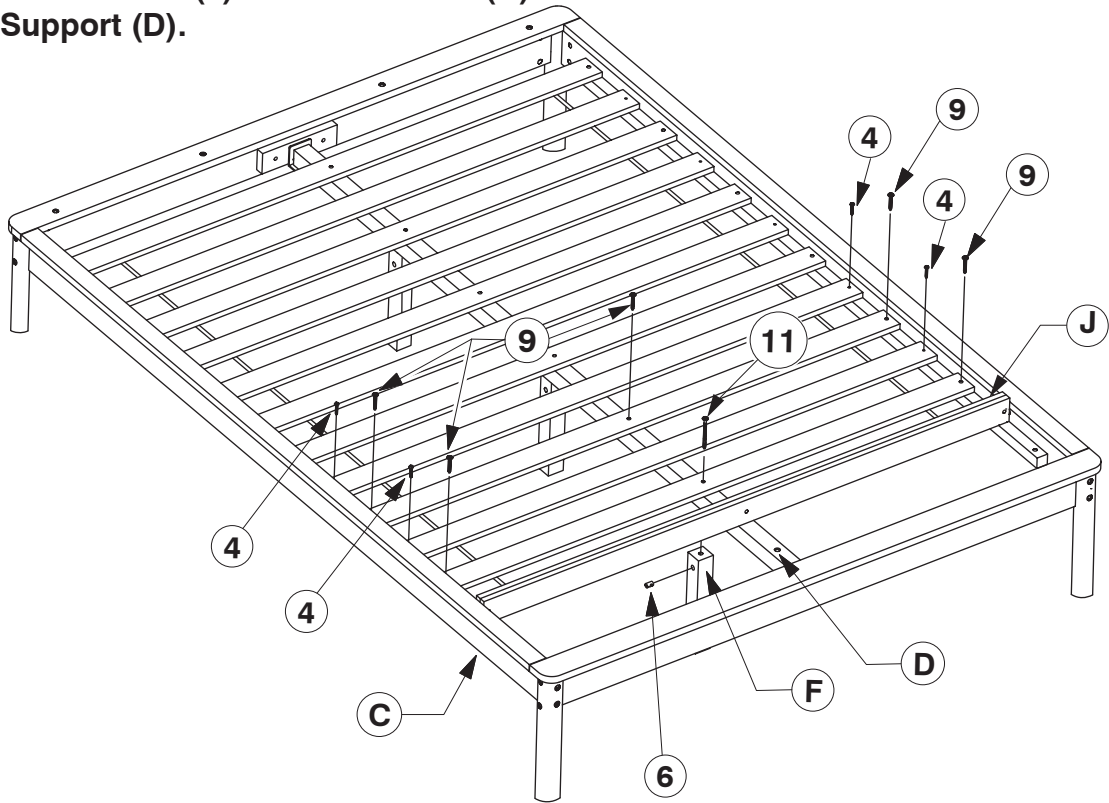


# 007- 1 Full Bed

## Assembly Instruction

WI-0622

- 12** Put the other Slats out and assemble the Support Leg (F) to the Bed Slat (J). Bolt and screw the Bed Slats (J) to the Side Rail (C) & Long Support (D).



- 13** Bolt and screw the remaining Bed Slats (J) to the Side Rail (C).

