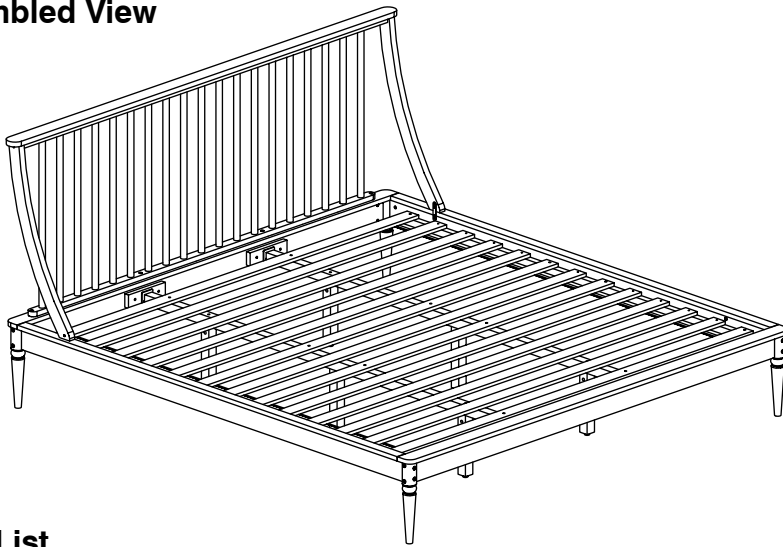


0064 King Bed

Assembly Instructions

WI-1220

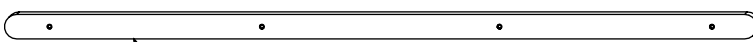
1 Assembled View



Note: Do not assemble using power tools. This can cause the bolts to be overtightened

2 Parts List

Parts in Box A:



A Headboard Top x 1



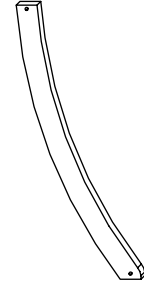
B Headboard Top Rail x 1



C Headboard Bottom Rail x 1



D Headboard Spinder x 19



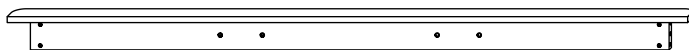
E Headboard Side Bar x 2

Parts in Box B:

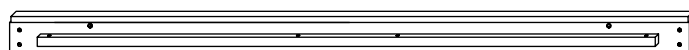


F Headboard Panel x 1

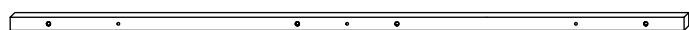
Extra Holes



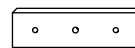
G Footboard Panel x 1



H Side Rail x 2



J Long Support x 2



K Head / Footboard Support x 4



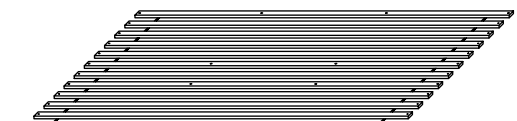
L Post (Left Hand) x 2



M Post (Right Hand) x 2



N Support Leg x 6



O Set of Bed Slats x 1

0064 King Bed

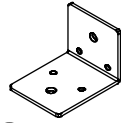
Assembly Instructions

WI-1220

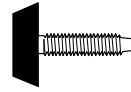
3 Hardware List



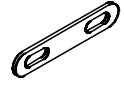
1 M4 Allen Key
x 1



2 Center Rail
Bracket x 4



3 Adjustable
Foot x 6



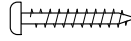
4 Bracket (2003)
x 2



5 Wood Dowel
(M10 x 40mm) x 8



6 Barrel
Nut x 22



7 Wood Screw
(M4 x 32mm) x 18



8 M6 JCN Nut
x 2



9 M6 x
15mm JCB
x 10



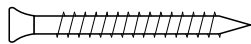
10 M6 x
25mm JCB
x 2



11 M6 x
30mm JCB
x 16



12 M6 x
40mm JCB
x 18

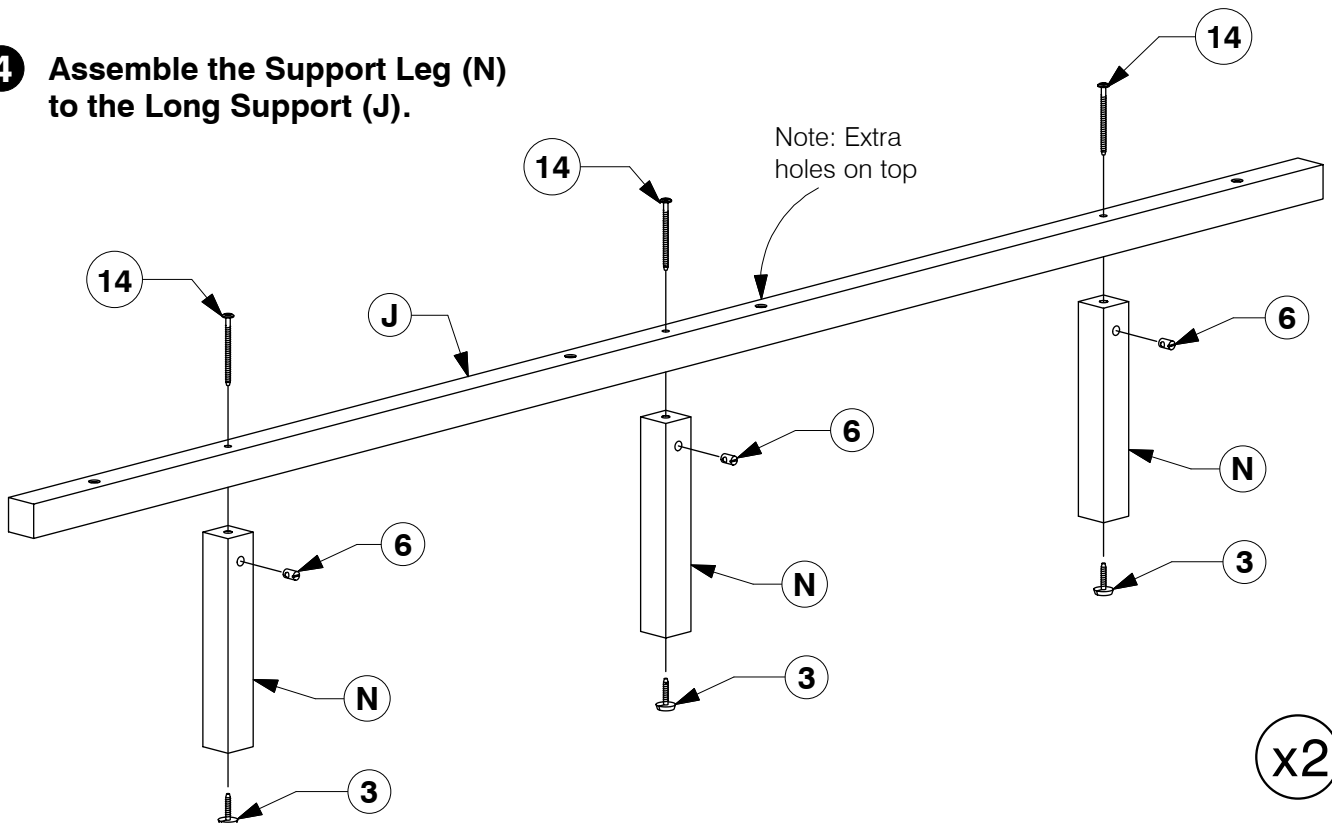


13 CSK Cap Wood Screw
(M6 x 50mm)
x 38



14 M6 x 90mm JCB
x 22

4 Assemble the Support Leg (N) to the Long Support (J).

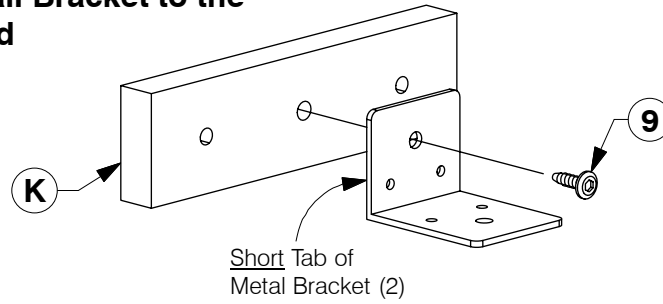


0064 King Bed

Assembly Instructions

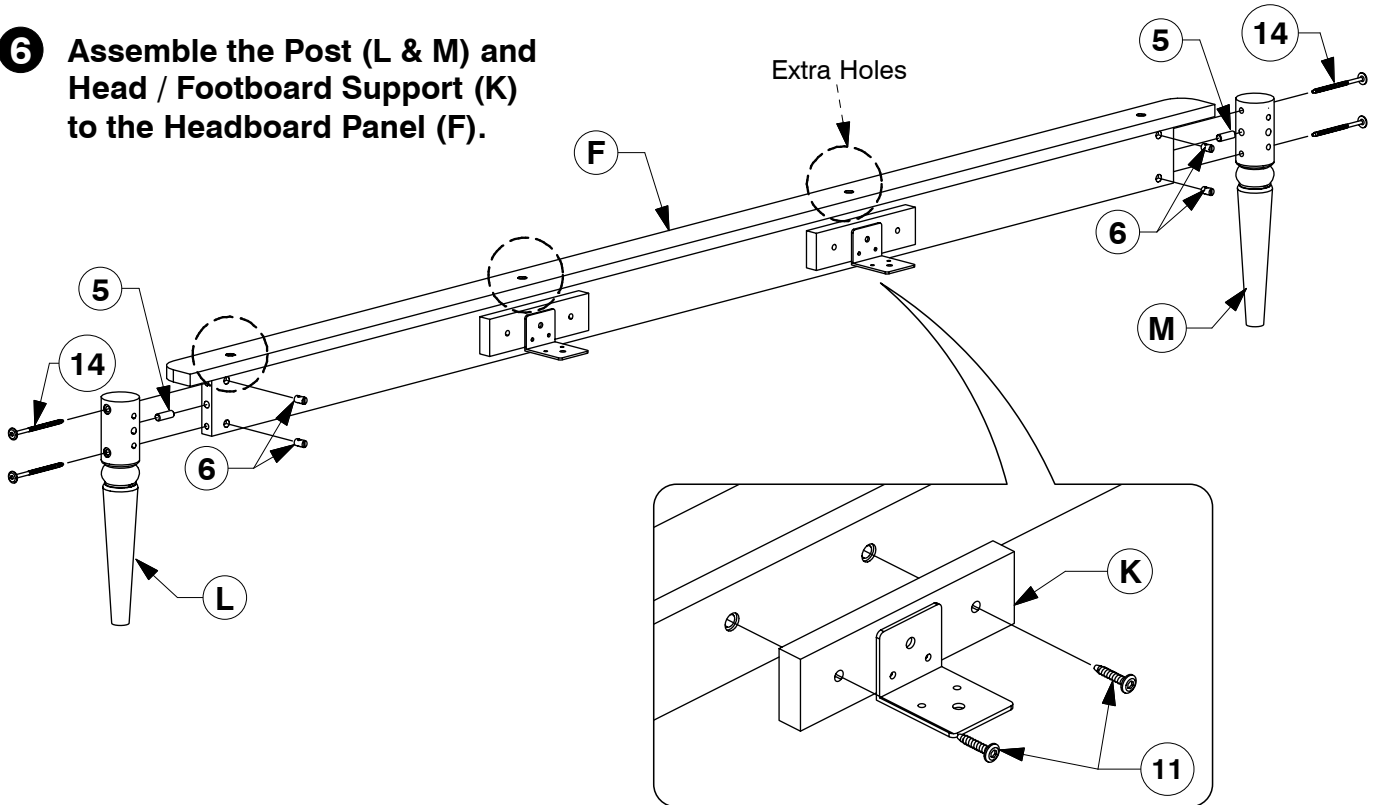
WI-1220

- 5** Fit the Center Rail Bracket to the Head / Footboard Support (K).

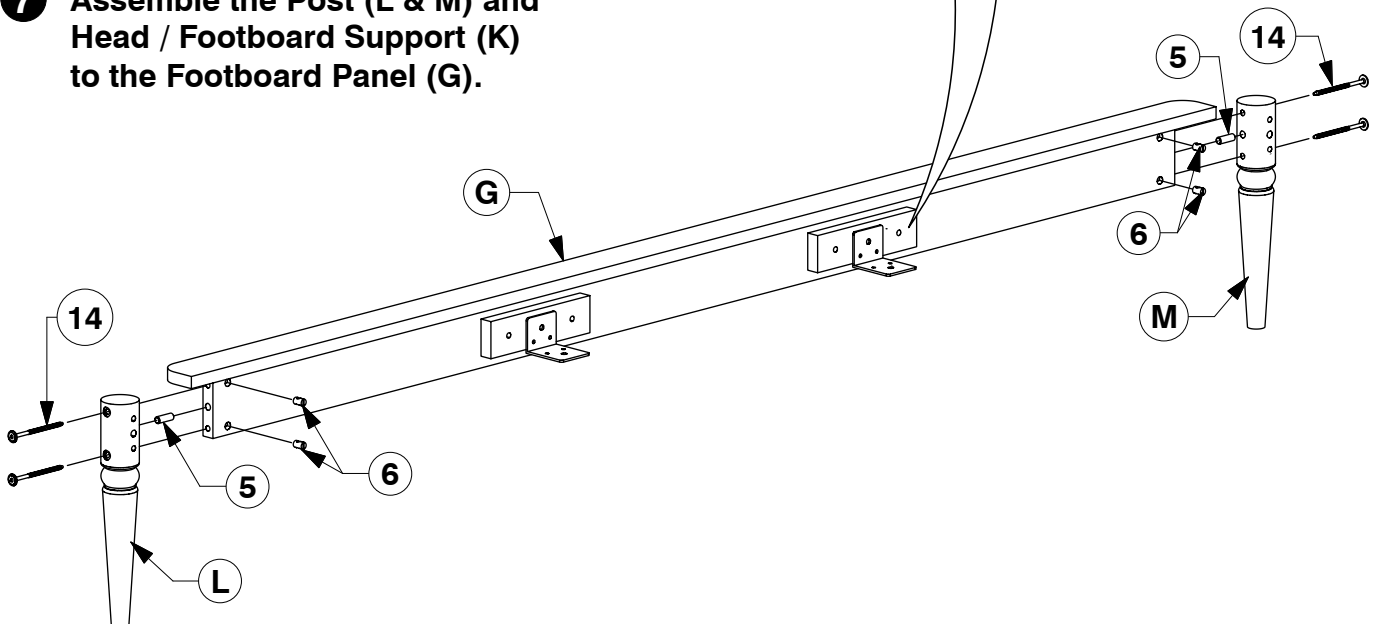


x4

- 6** Assemble the Post (L & M) and Head / Footboard Support (K) to the Headboard Panel (F).



- 7** Assemble the Post (L & M) and Head / Footboard Support (K) to the Footboard Panel (G).

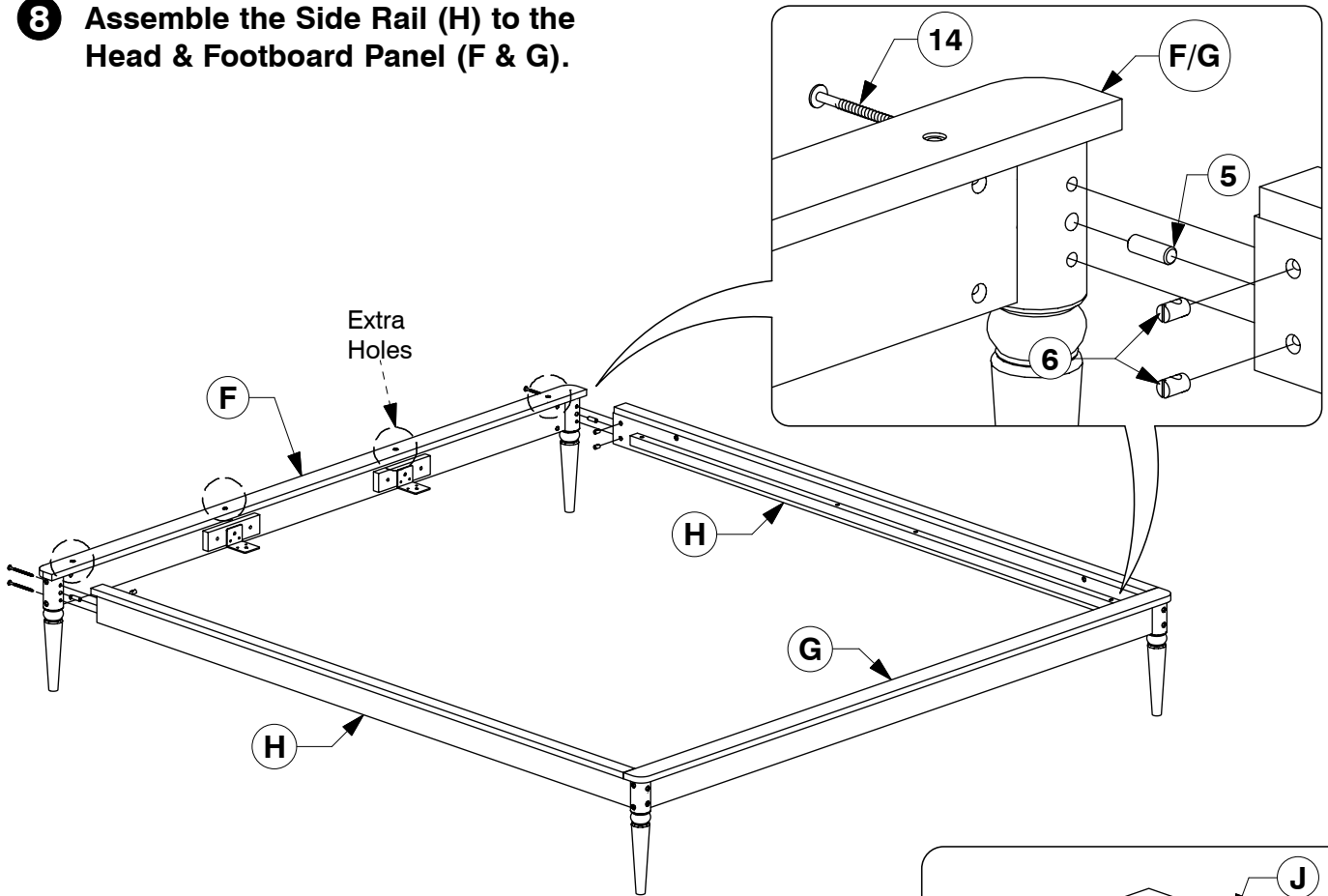


0064 King Bed

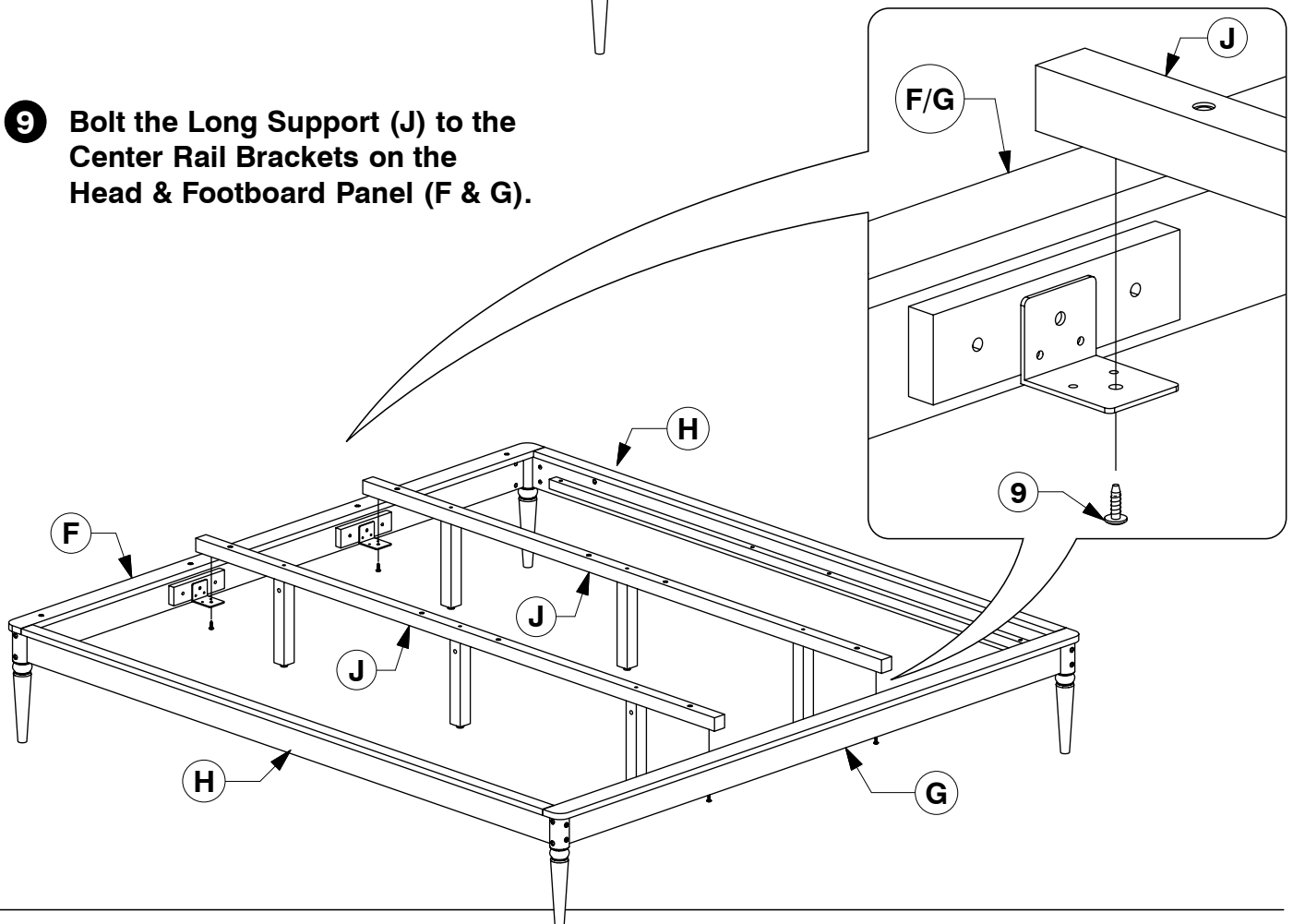
Assembly Instructions

WI-1220

- 8** Assemble the Side Rail (H) to the Head & Footboard Panel (F & G).



- 9** Bolt the Long Support (J) to the Center Rail Brackets on the Head & Footboard Panel (F & G).

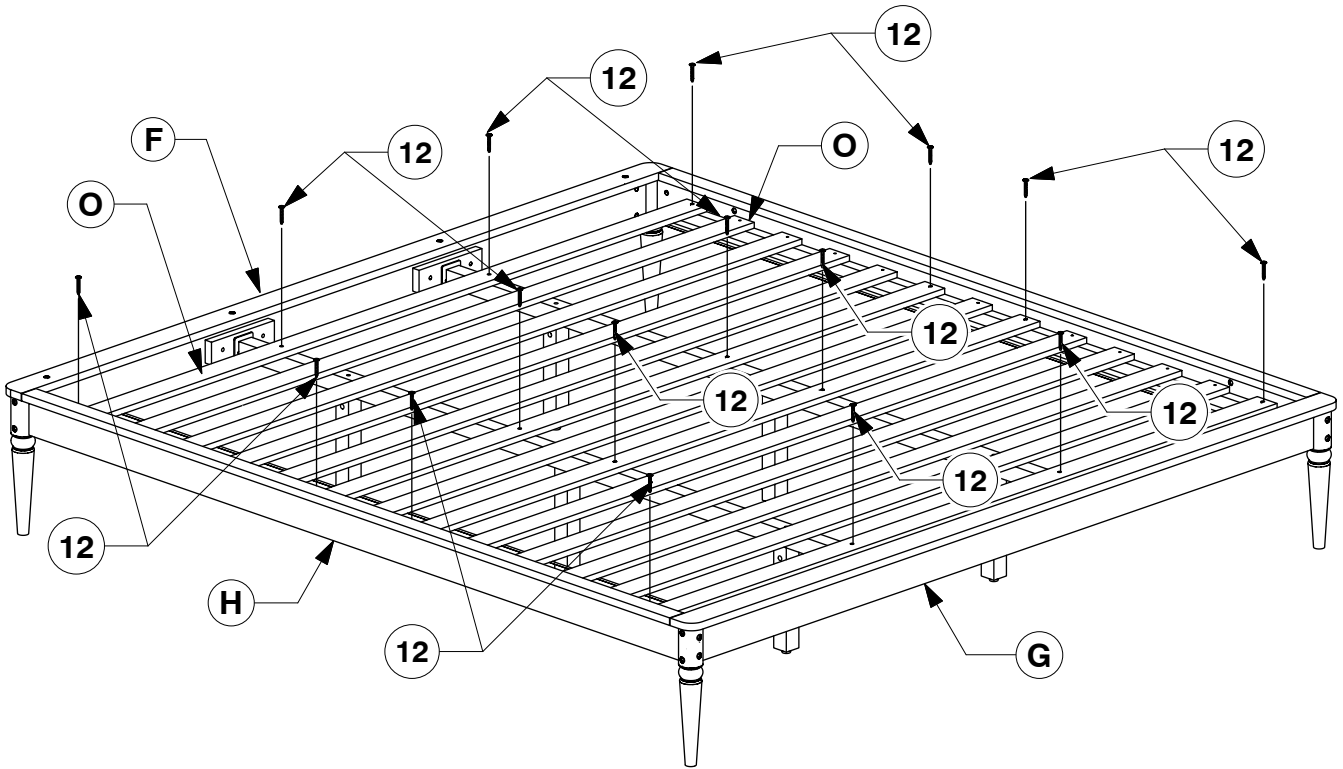


0064 King Bed

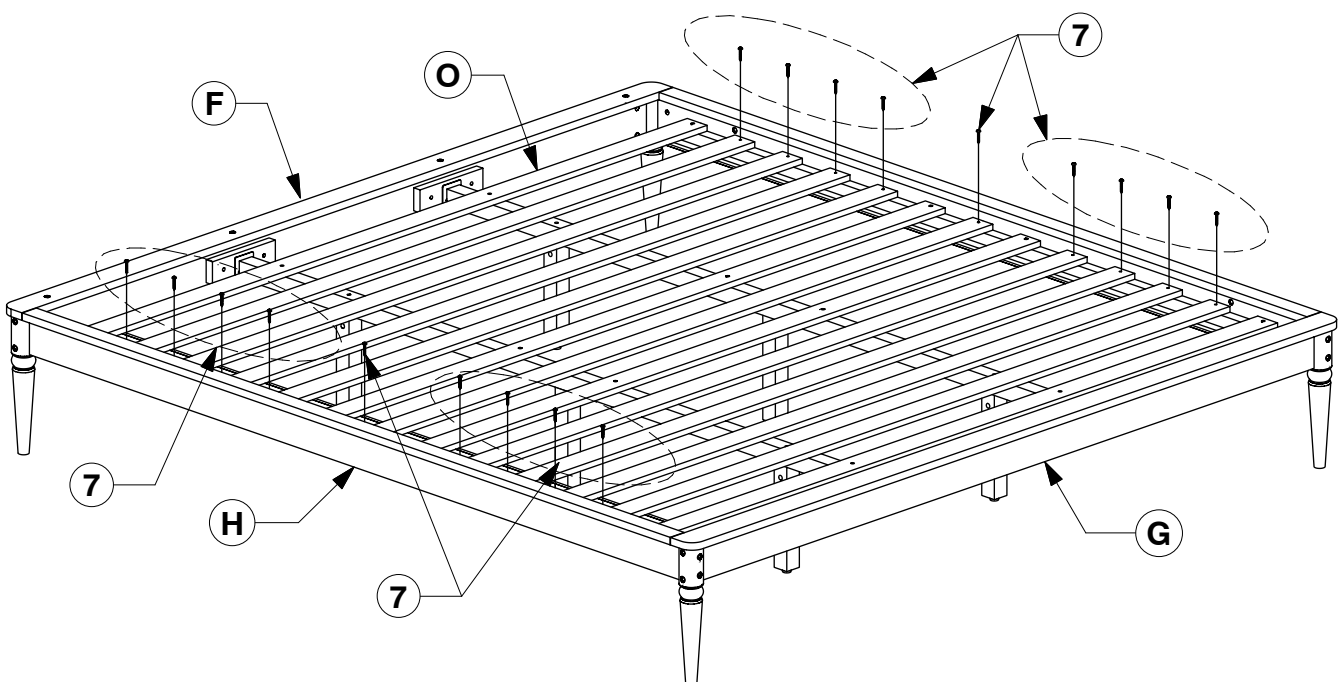
Assembly Instructions

WI-1220

- 10** Bolt the Bed Slats (O) to the Side Rail (H).



- 11** Screw the Bed Slats (O) to the Side Rail (H).

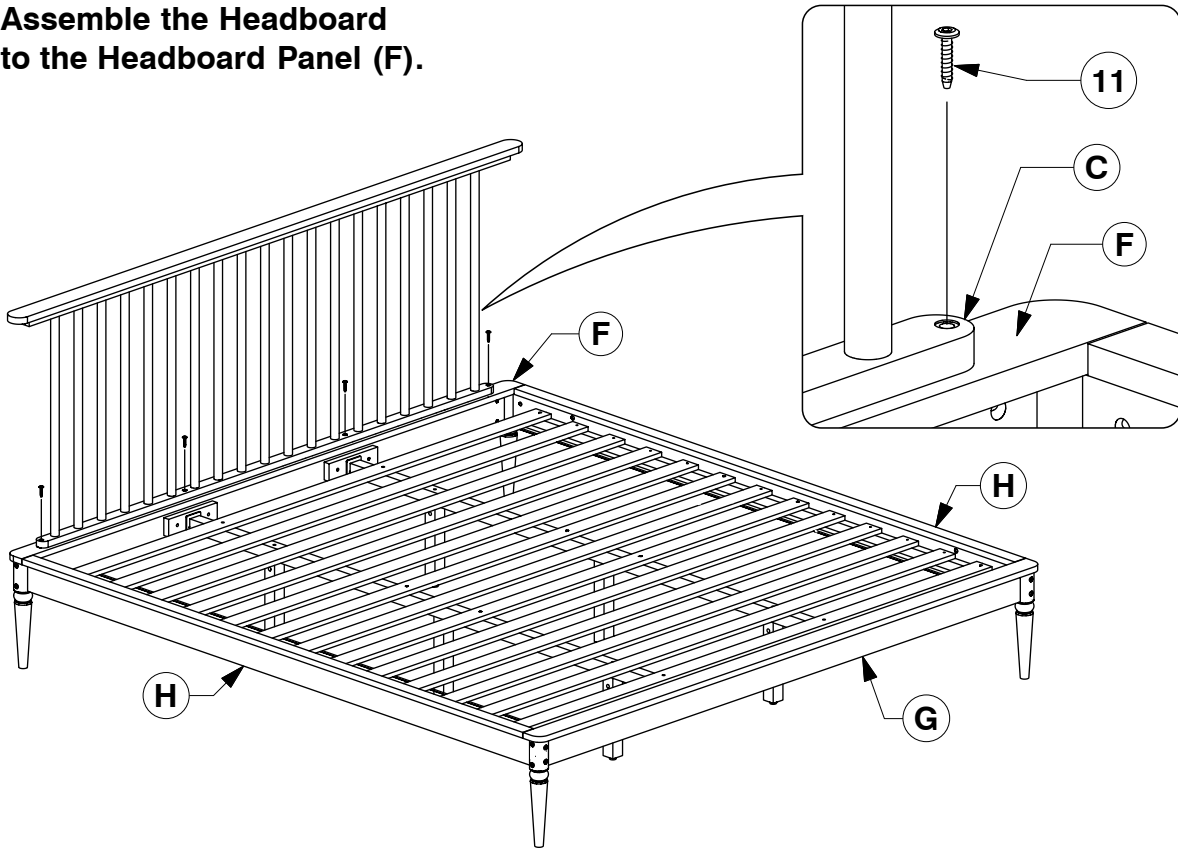


0064 King Bed

Assembly Instructions

WI-1220

- 14** Assemble the Headboard to the Headboard Panel (F).



- 15** Fit the Headboard Side Bar (E) to the Headboard Top Rail (B) & Side Rail (H).

