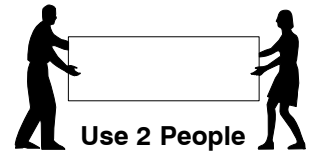
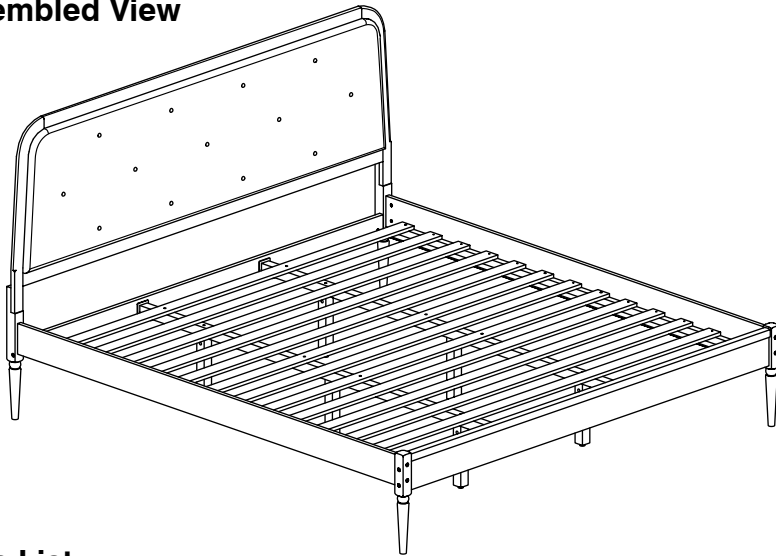


# 0061 King Bed

## Assembly Instructions

WI-1220

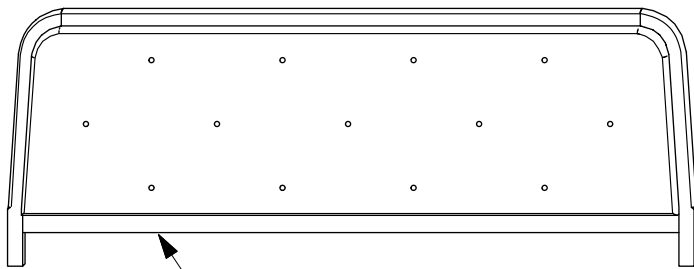
### 1 Assembled View



**Note:** Do not assemble using power tools. This can cause the bolts to be overtightened

### 2 Parts List

#### Parts in Box A:



**A** Headboard Panel x 1



**B** Headboard Support x 1

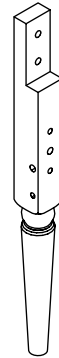
**C**

Headboard Post (Left Hand) x 1

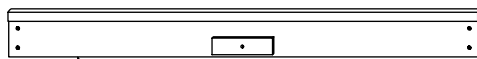


**D**

Headboard Post (Right Hand) x 1



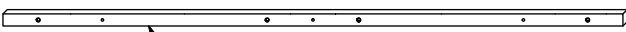
#### Parts in Box B:



**E** Footboard Panel x 1



**F** Side Rail x 2



**G** Long Support x 2

**H**

Footboard Post (Left Hand) x 1

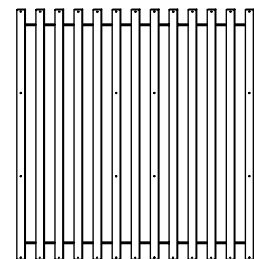


**J**

Footboard Post (Right Hand) x 1



**K** Support Leg x 6



**L** Set of Bed Slats x 1

# 0061 King Bed

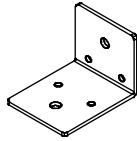
## Assembly Instructions

WI-1220

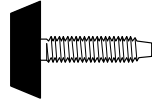
### 3 Hardware List



1 M4 Allen Key  
x 1



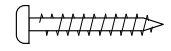
2 Center Rail  
Bracket x 4



3 Adjustable  
Foot x 6



4 Barrel Nut  
x 20



5 Wood Screw  
(M4 x 32mm)  
x 18



6 Wood Dowel  
(10 x 40mm) x 8



7 Spring  
Washer x 4



8 Flat  
Washer x 4



9 M6 x 15mm JCB  
x 8

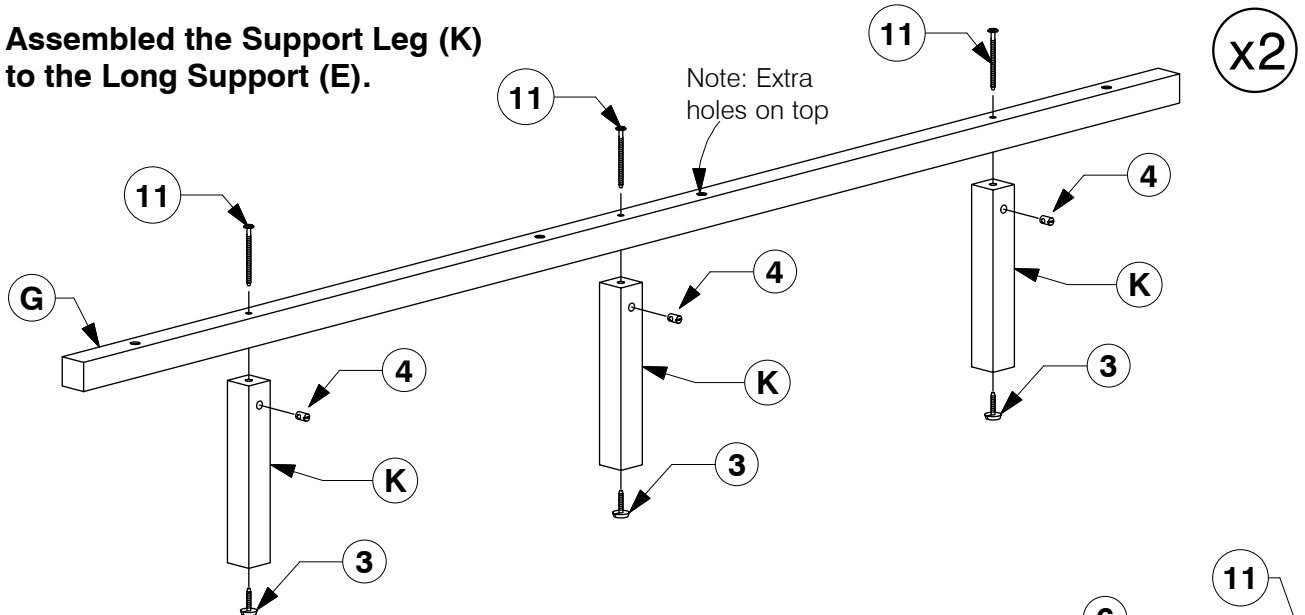


10 M6 x 40mm JCB x 20

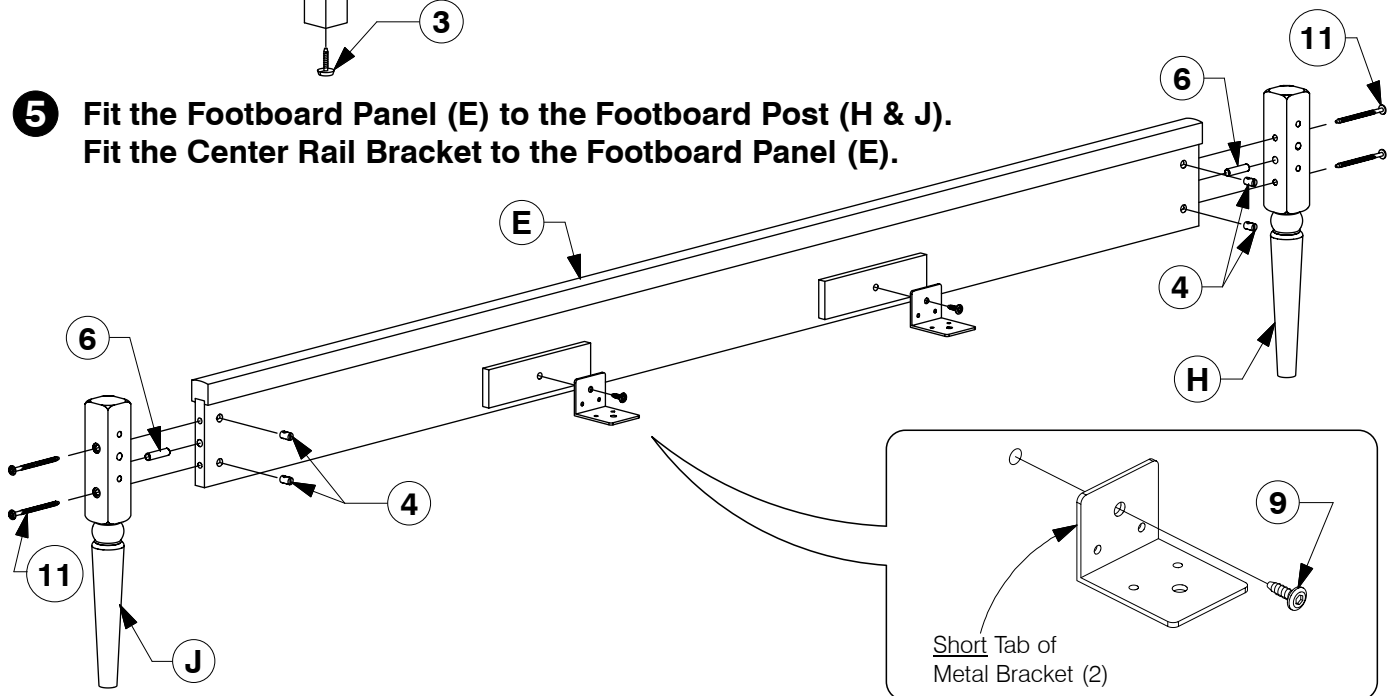


11 M6 x 90mm JCB x 20

### 4 Assembled the Support Leg (K) to the Long Support (E).



### 5 Fit the Footboard Panel (E) to the Footboard Post (H & J). Fit the Center Rail Bracket to the Footboard Panel (E).

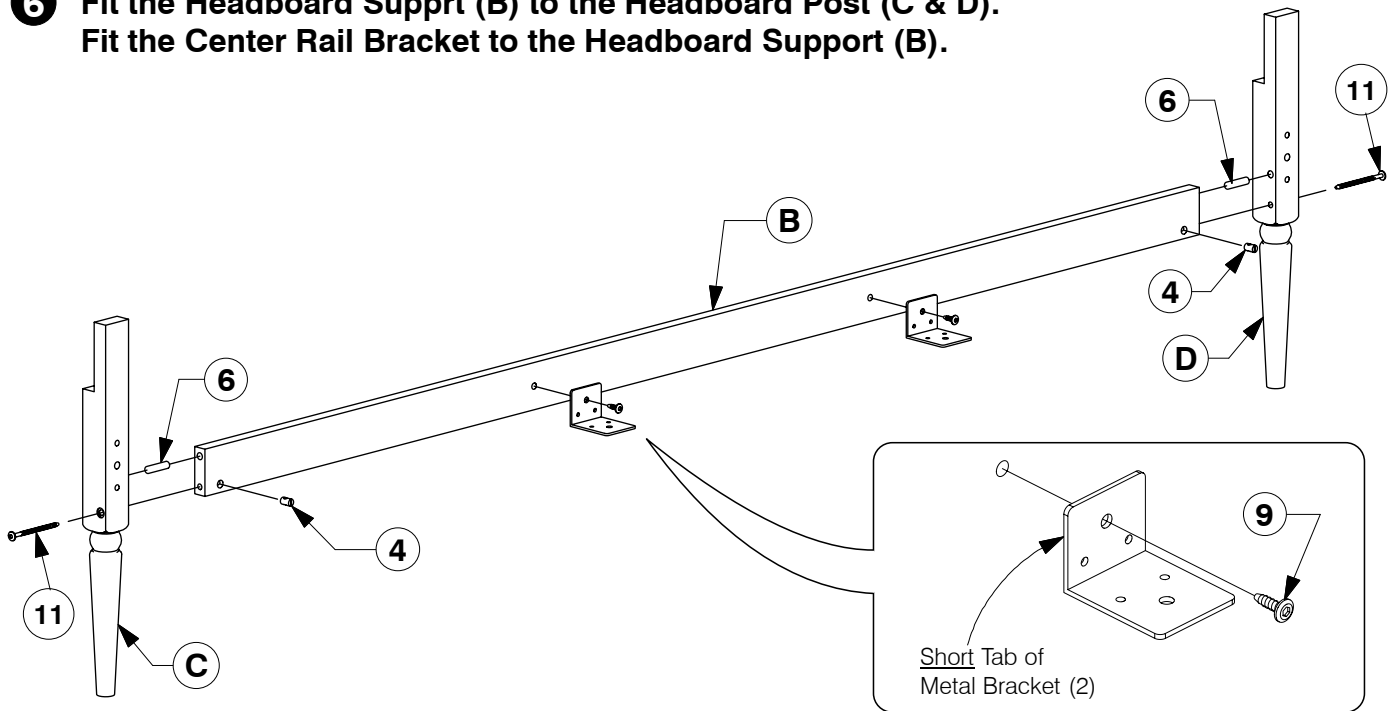


# 0061 King Bed

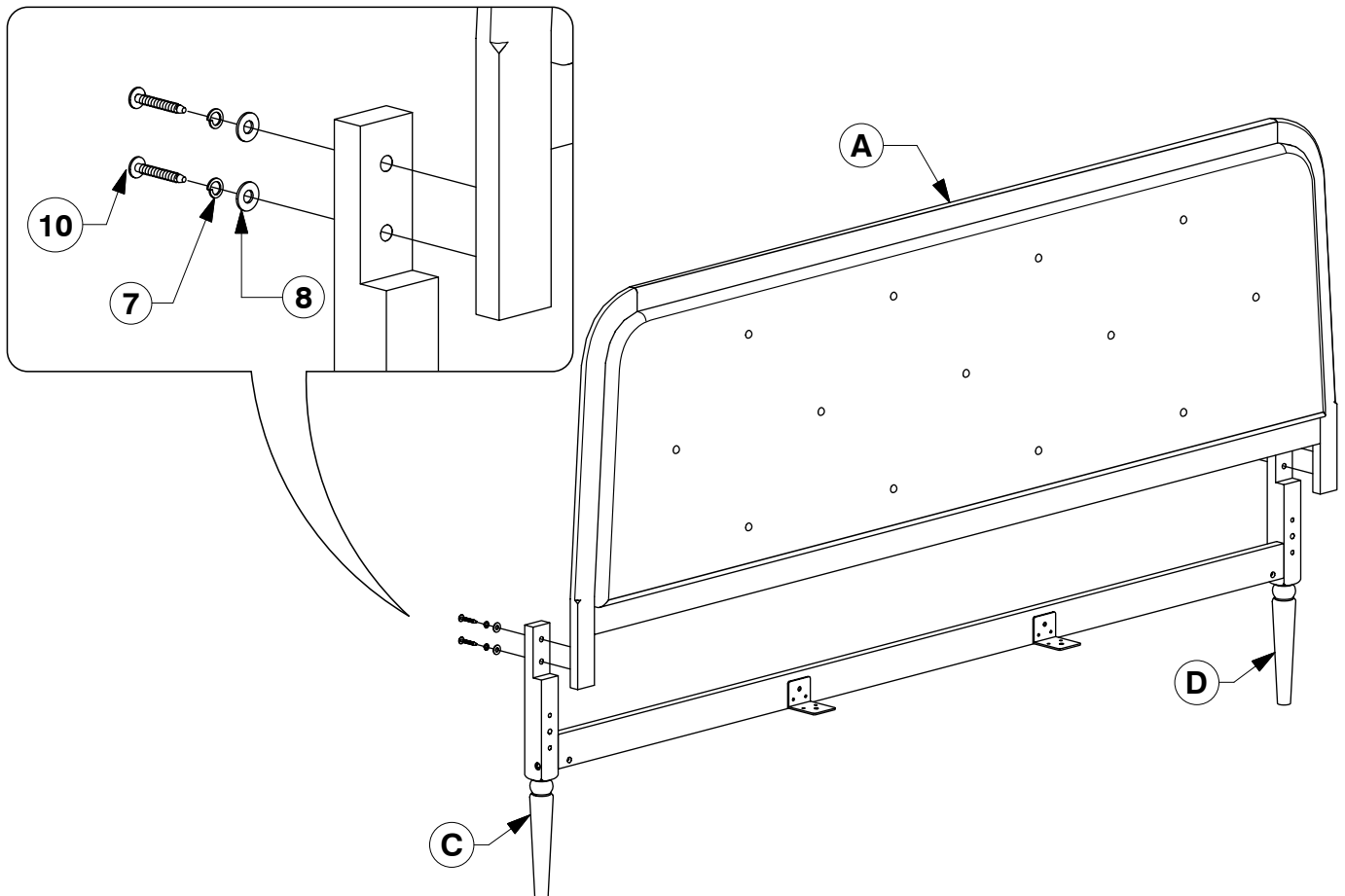
## Assembly Instructions

WI-1220

- 6** Fit the Headboard Support (B) to the Headboard Post (C & D).  
Fit the Center Rail Bracket to the Headboard Support (B).



- 7** Assemble the Headboard Panel (A) to the Headboard Post (C & D).

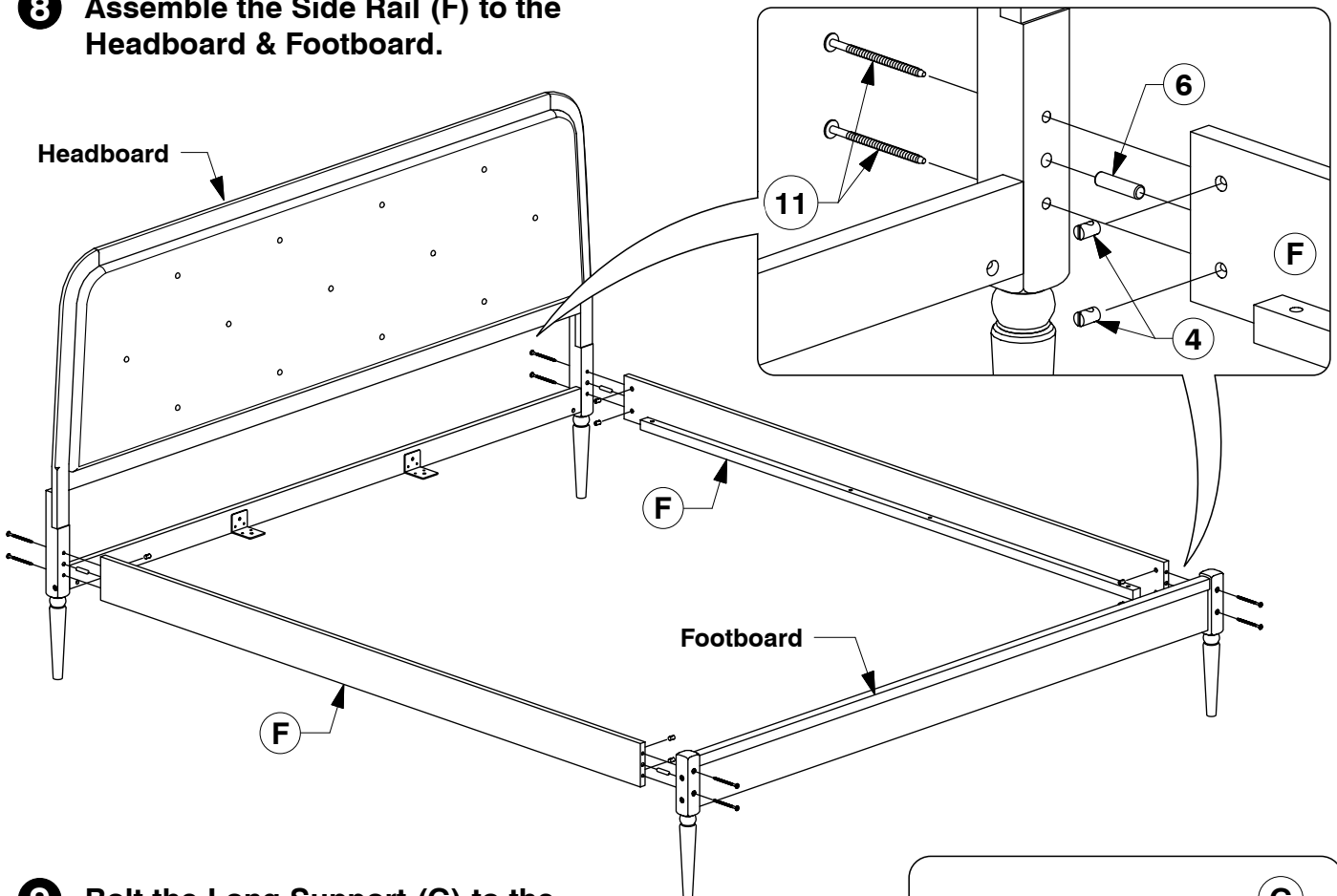


# 0061 King Bed

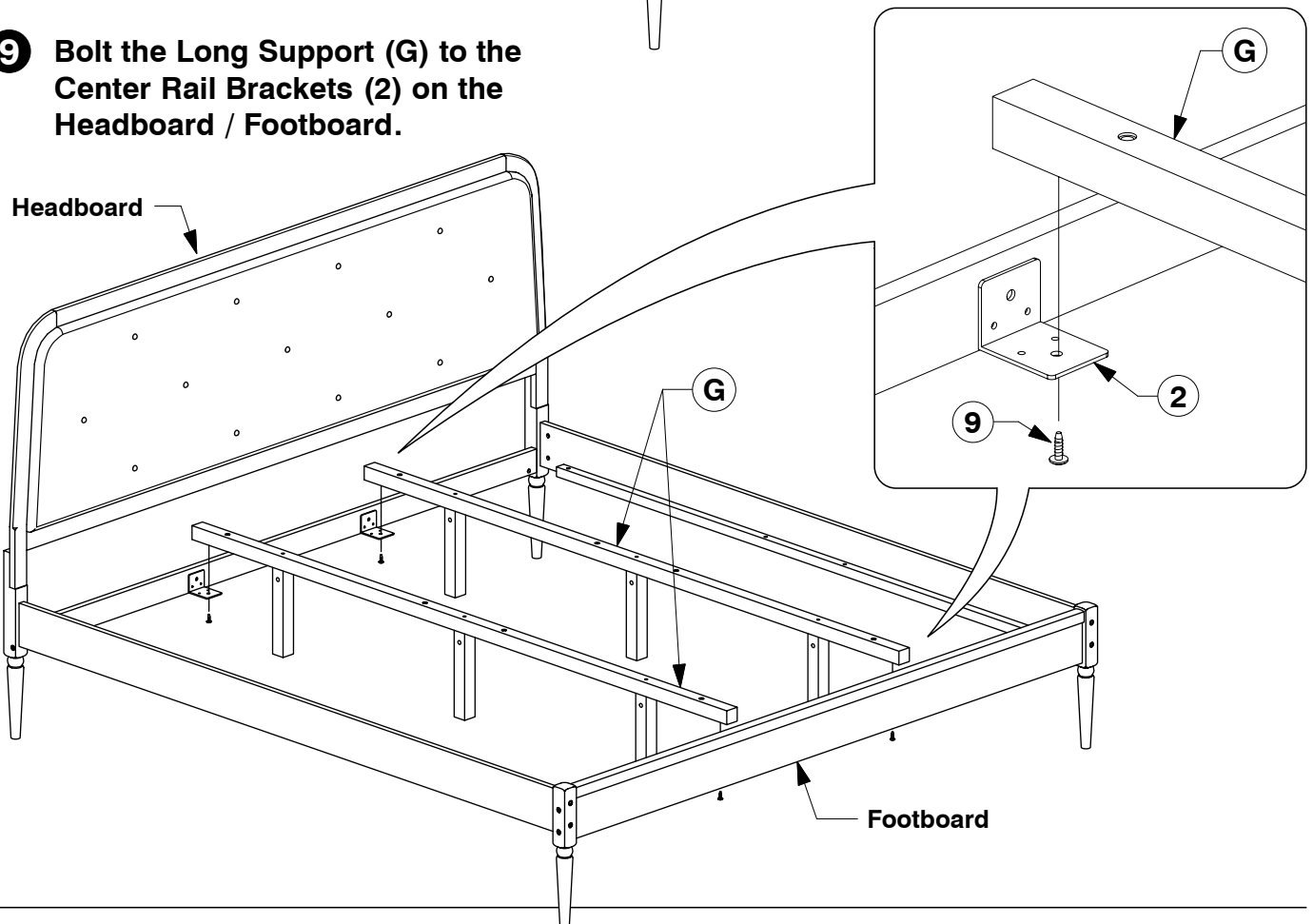
## Assembly Instructions

WI-1220

### 8 Assemble the Side Rail (F) to the Headboard & Footboard.



### 9 Bolt the Long Support (G) to the Center Rail Brackets (2) on the Headboard / Footboard.

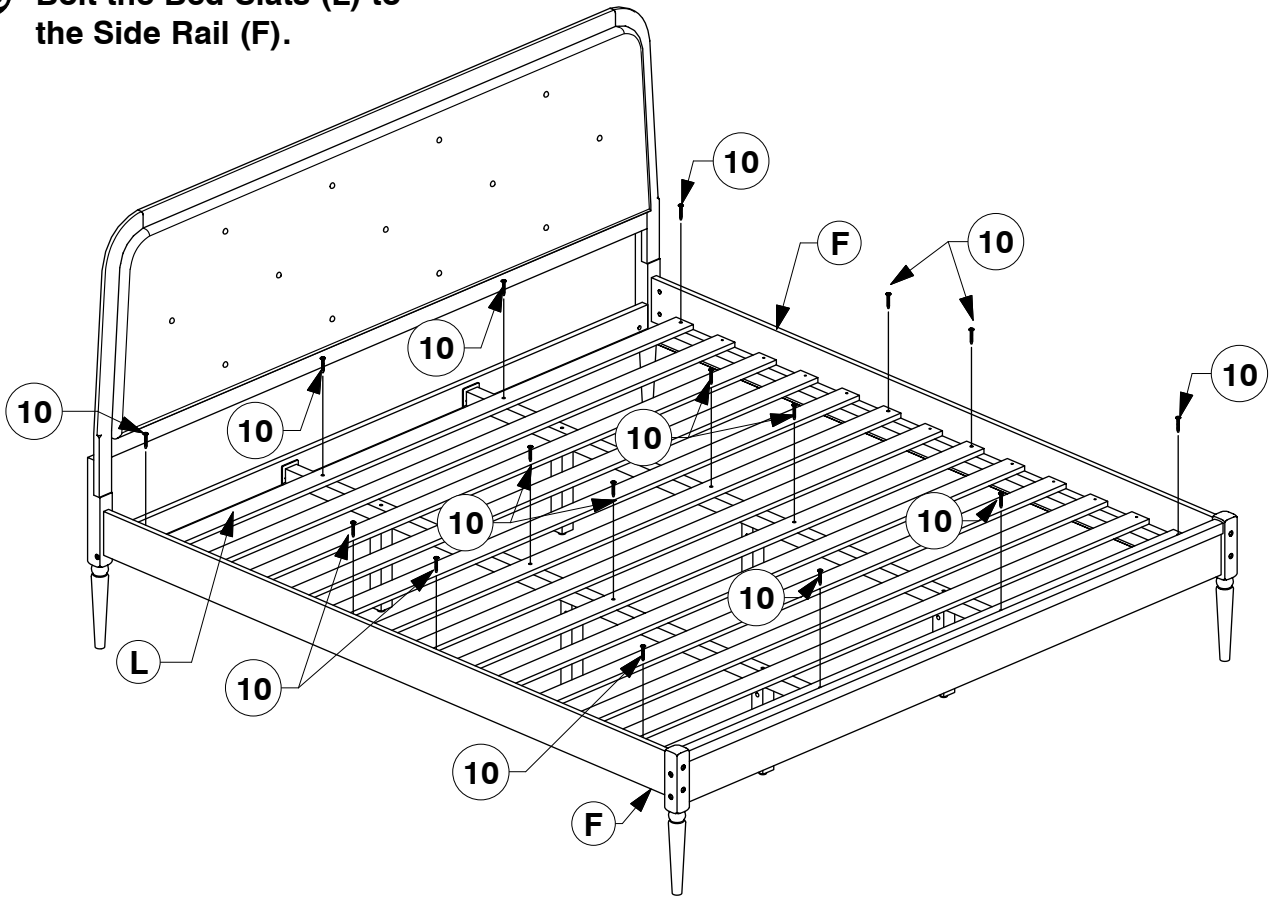


# 0061 King Bed

## Assembly Instructions

WI-1220

- 10** Bolt the Bed Slats (L) to the Side Rail (F).



- 11** Screw the Bed Slats (L) to the Side Rail (F).

