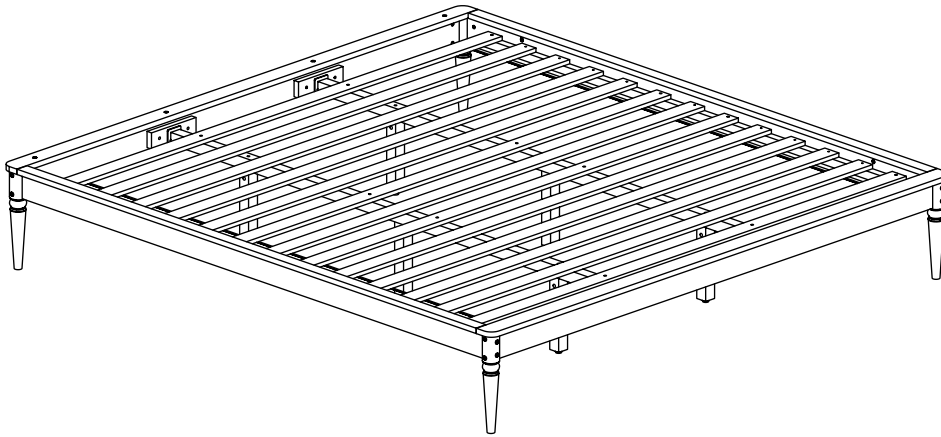


006-1 King Bed

Assembly Instructions

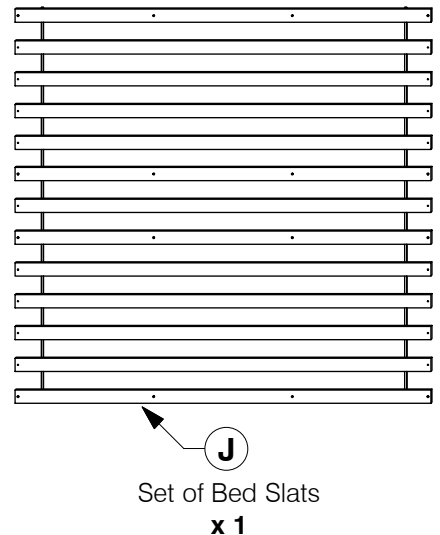
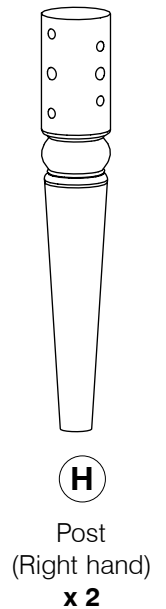
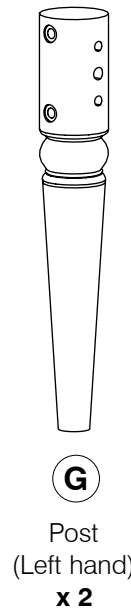
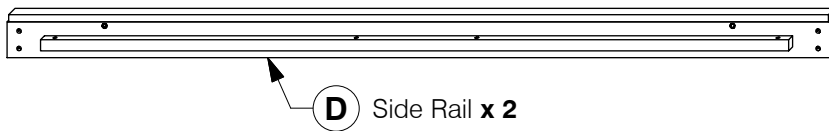
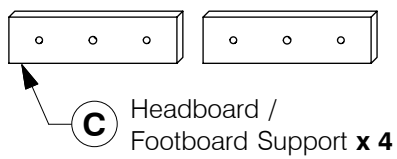
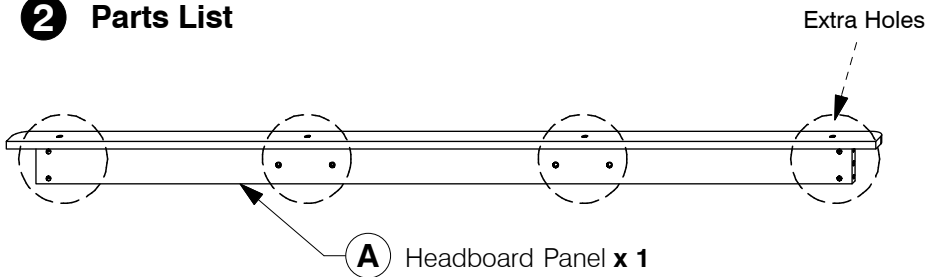
WI-1220

1 Assembled View



Note: Do not assemble using power tools. This can cause the bolts to be overtightened

2 Parts List



006-1 King Bed

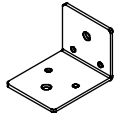
Assembly Instructions

WI-1220

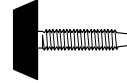
3 Hardware List



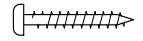
1 M4 Allen Key
x 1



2 Center Rail
Bracket x 4



3 Adjustable
Foot x 6



4 Wood Screw
(M4 x 32mm)
x 18



5 Wood Dowel
(10 x 40mm) x 8



6 Barrel
Nut x 22



7 M6 x 15mm JCB
x 8



8 M6 x 30mm JCB
x 8

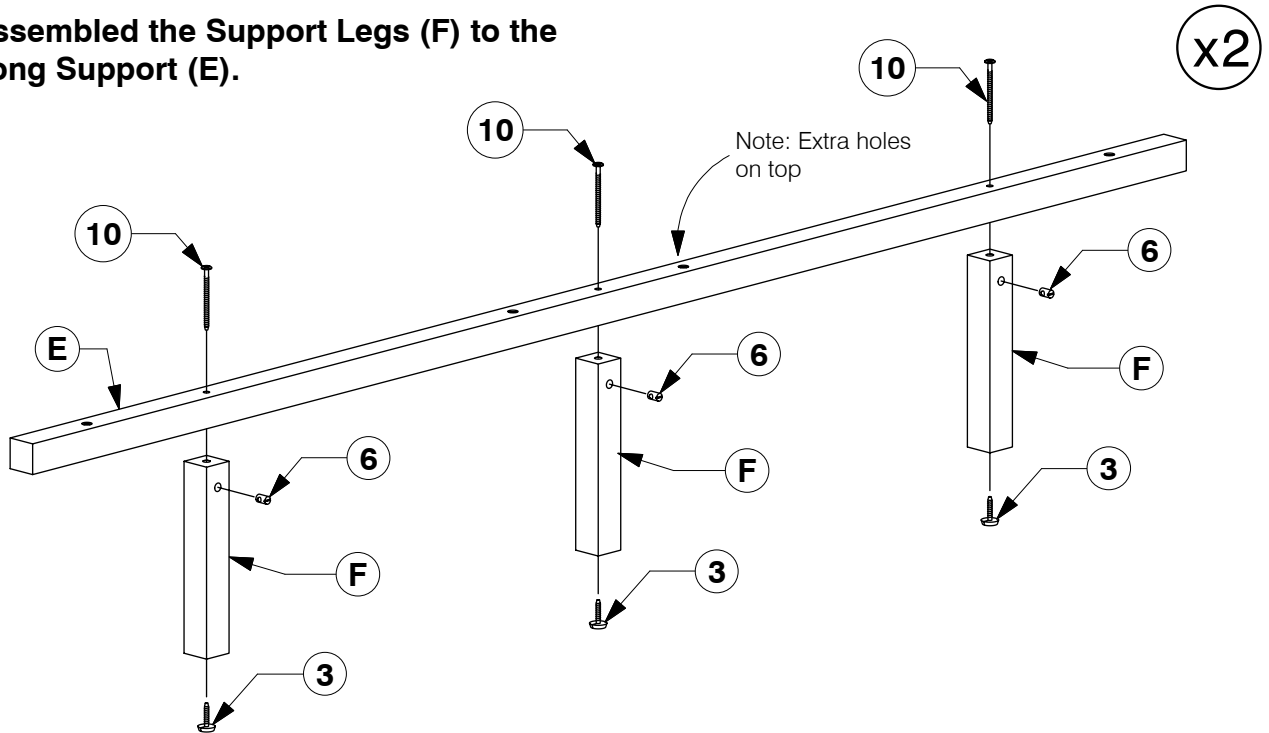


9 M6 x 40mm JCB
x 16

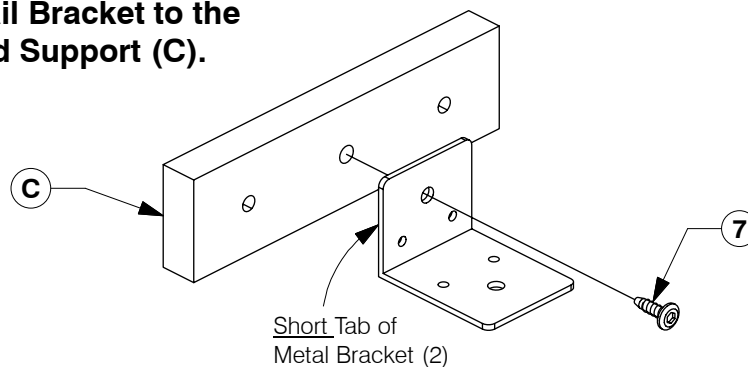


10 M6 x 90mm JCB
x 22

4 Assembled the Support Legs (F) to the Long Support (E).



5 Fit the Center Rail Bracket to the Head / Footboard Support (C).

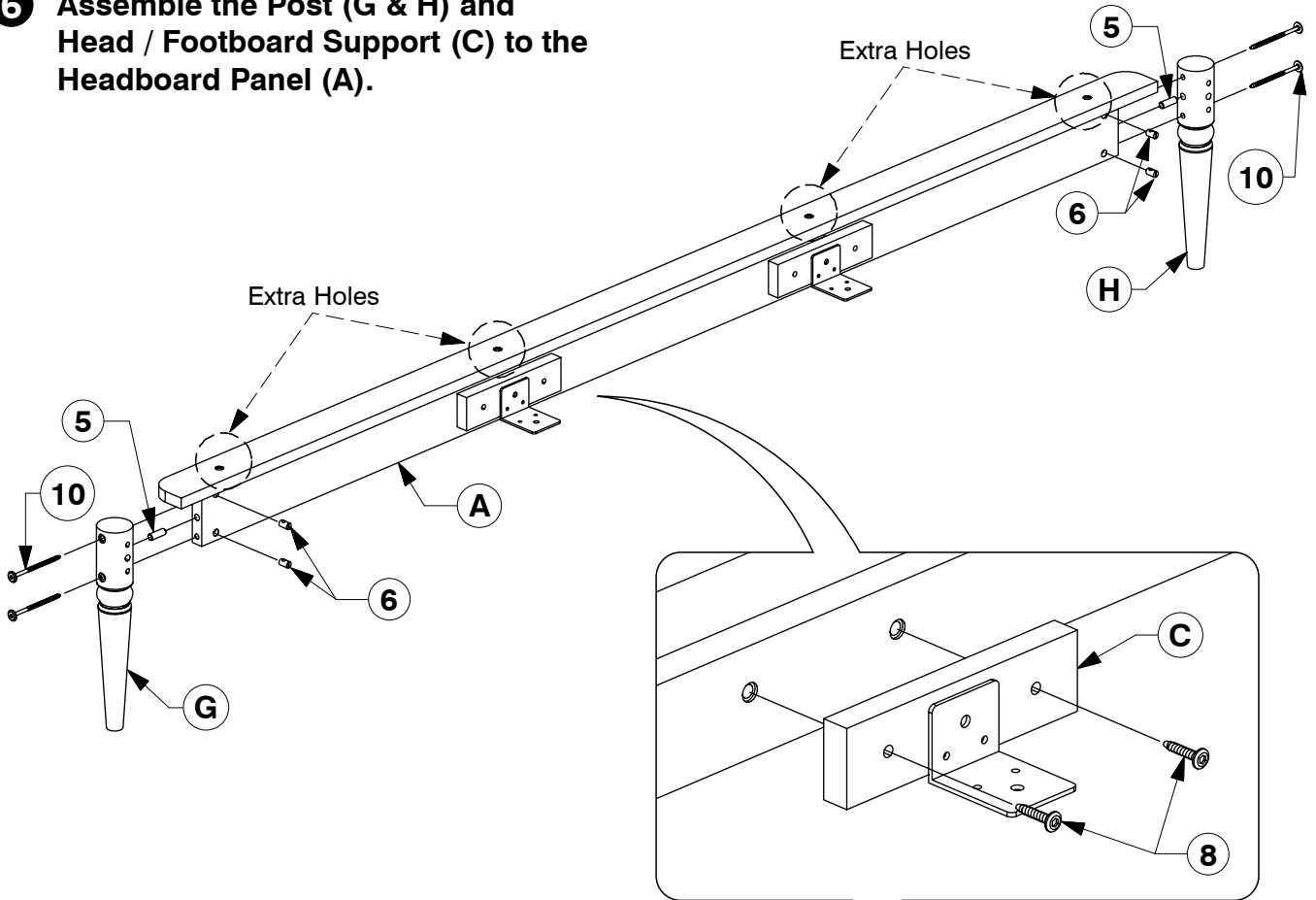


006-1 King Bed

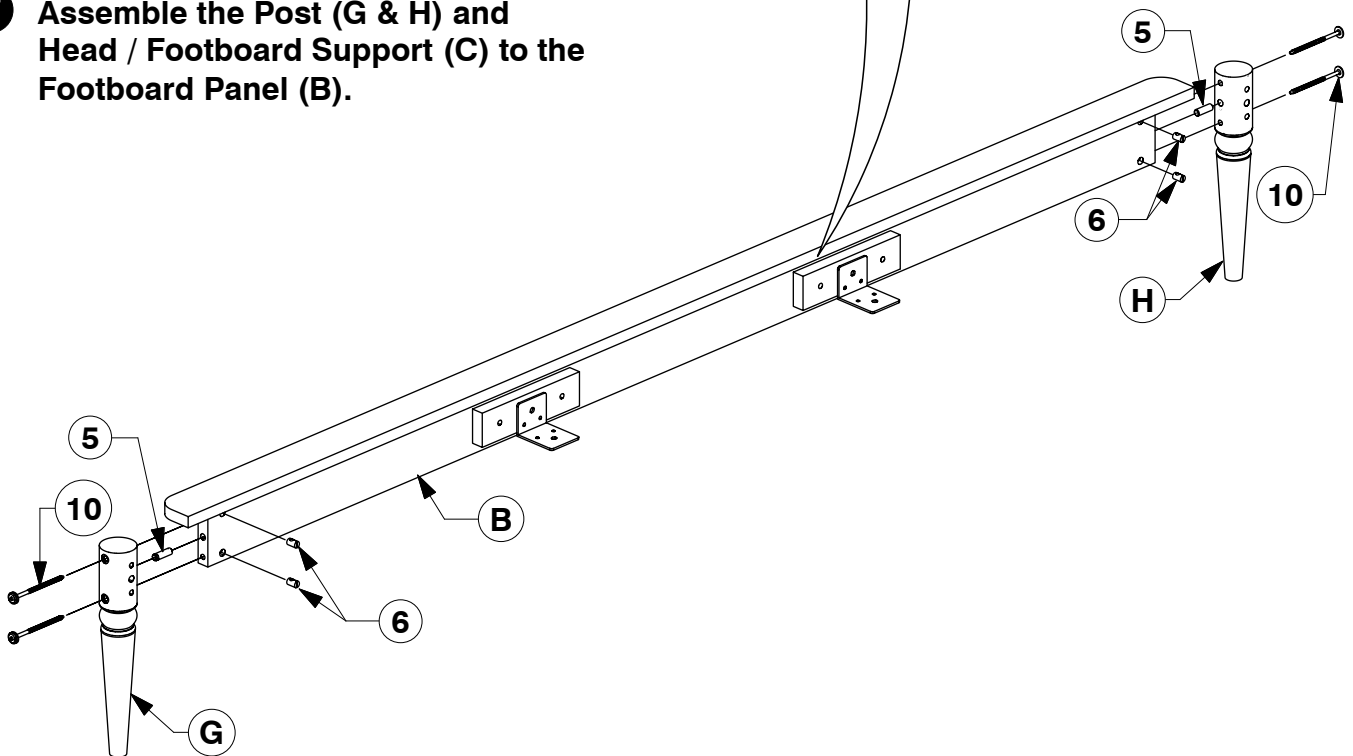
Assembly Instructions

WI-1220

- 6** Assemble the Post (G & H) and Head / Footboard Support (C) to the Headboard Panel (A).



- 7** Assemble the Post (G & H) and Head / Footboard Support (C) to the Footboard Panel (B).

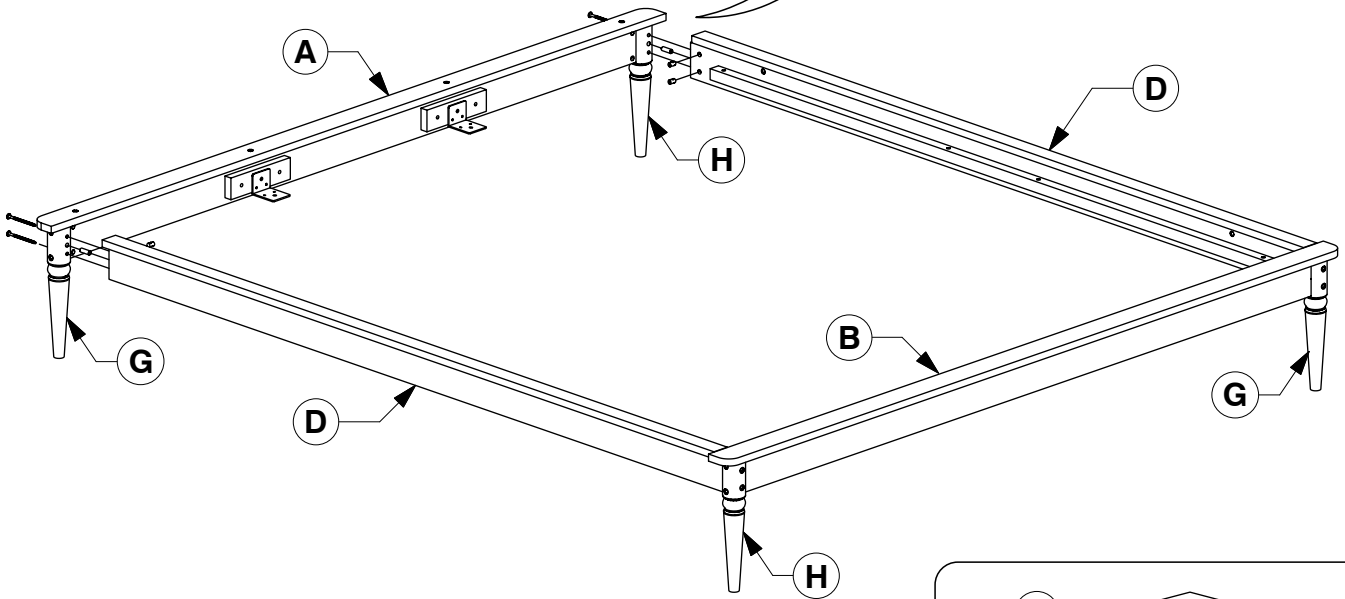
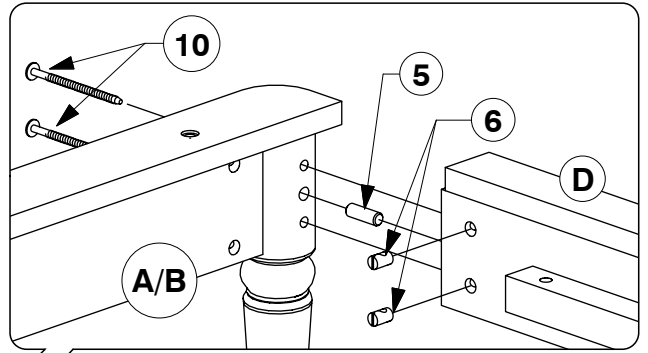


006-1 King Bed

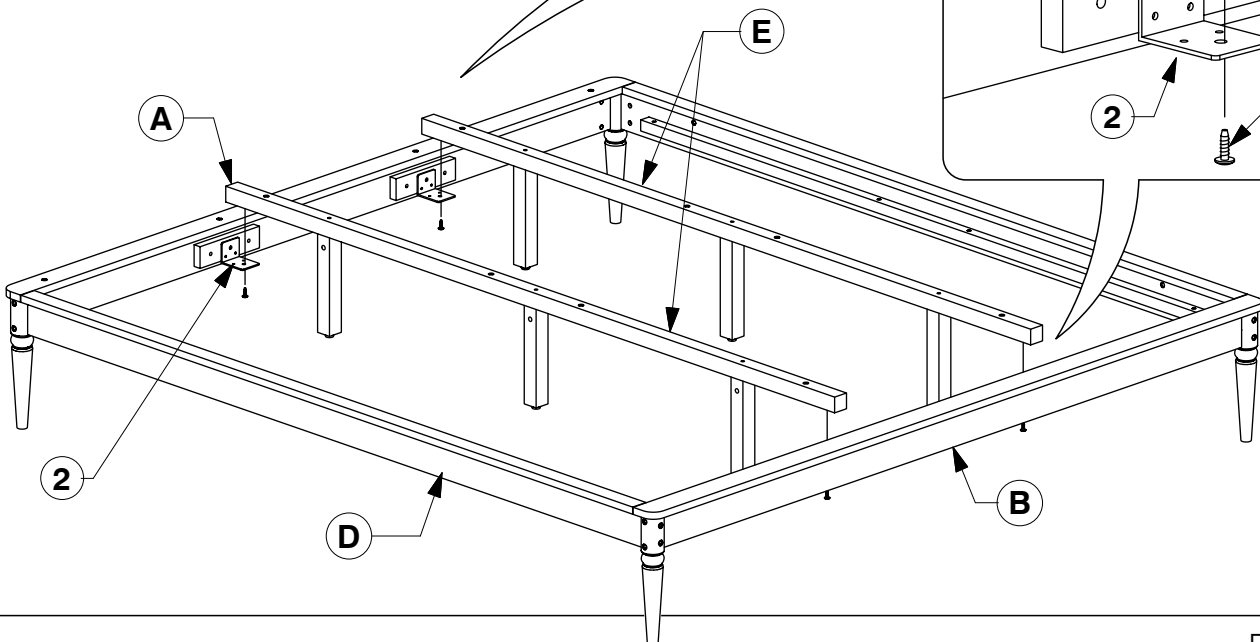
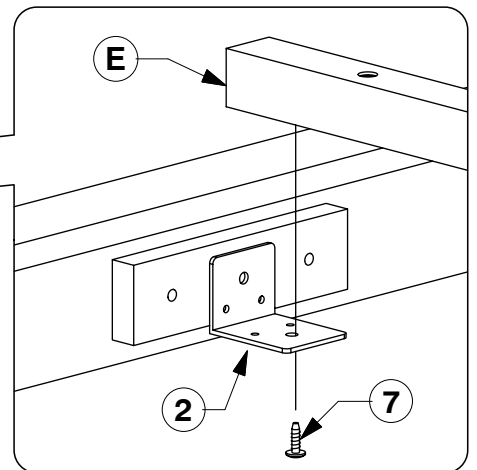
Assembly Instructions

WI-1220

- 8 Assemble the Side Rail (D) to the Headboard & Footboard Panel (A & B).**



- 9 Bolt the Long Support (E) to the Center Rail Brackets (2) on the Headboard & Footboard Panel (A & B).**

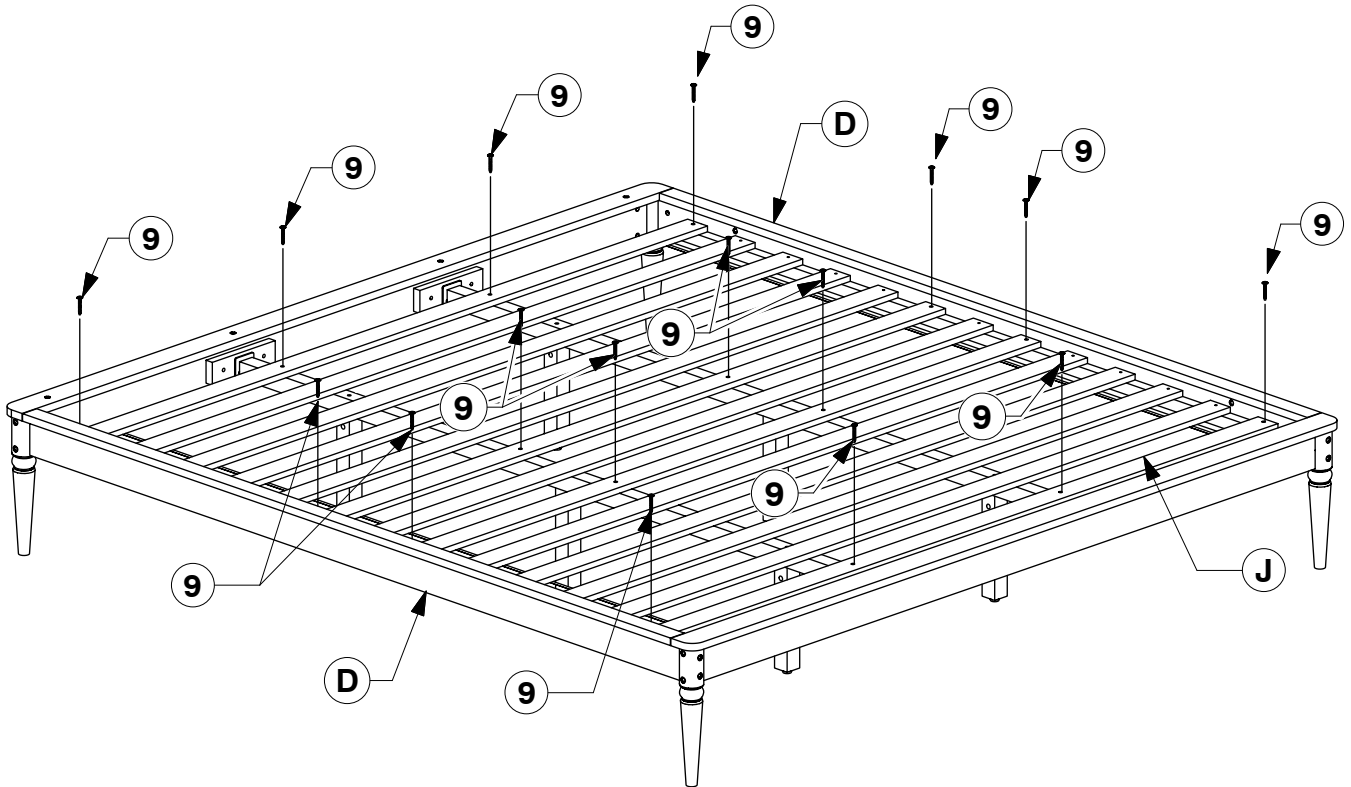


006-1 King Bed

Assembly Instructions

WI-1220

- 10** Bolt the Bed Slats (J) to the Side Rail (D).



- 11** Screw the Bed Slats (J) to the Side Rail (D).

