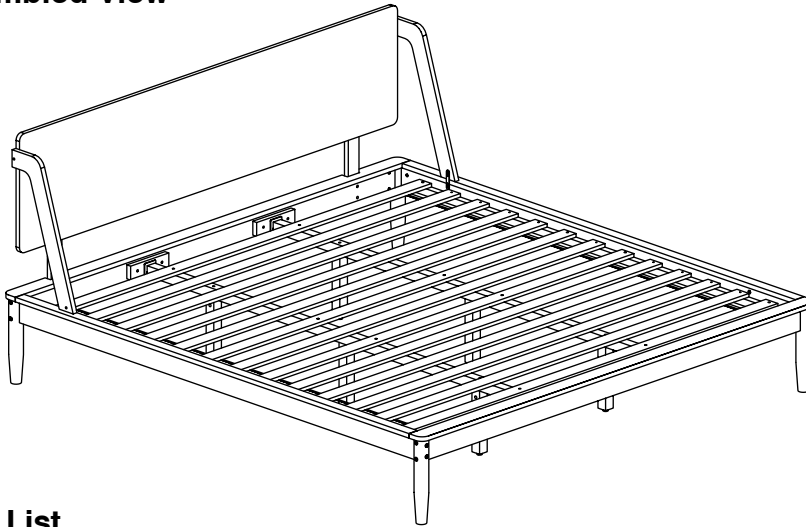


0047-9 King Bed

Assembly Instructions

W11-0520

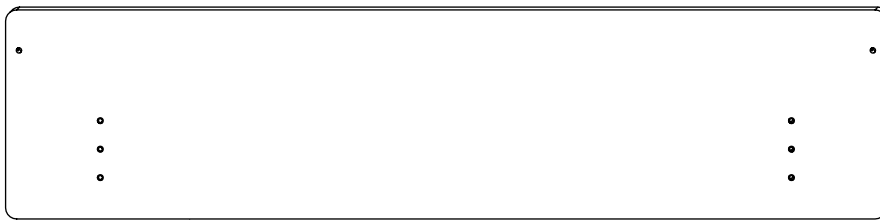
1 Assembled View



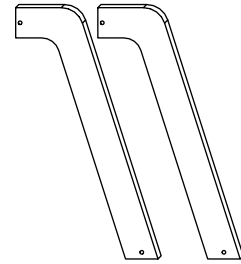
Note: Do not assemble using power tools. This can cause the bolts to be overtightened

2 Parts List

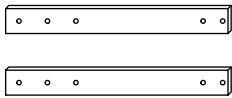
Parts in Box A:



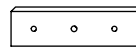
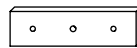
A Headboard x 1



B Headboard Support Rail x 2



C Support Bar x 2

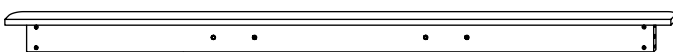


D Head / Footboard Support x 4

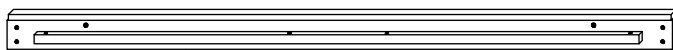
Parts in Box B:



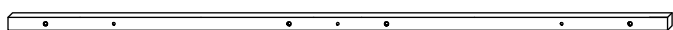
E Headboard Panel x 1



F Footboard Panel x 1



G Side Rail x 2



H Long Support x 2



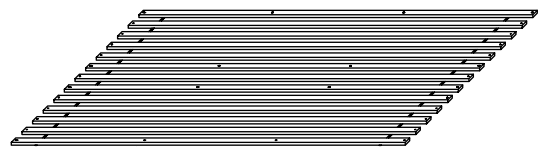
J Post (Left Hand) x 2



K Post (Right Hand) x 2



L Support Leg x 6



M Set of Bed Slats x 1

0047-9 King Bed

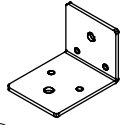
Assembly Instructions

W11-0520

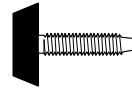
3 Hardware List



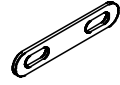
1 M4 Allen Key
x 1



2 Center Rail
Bracket x 4



3 Adjustable
Foot x 6



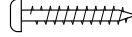
4 Bracket (2003)
x 2



5 Wood Dowel
(M10 x 40mm) x 8



6 Barrel
Nut x 24



7 Wood Screw
(M4 x 32mm) x 18



8 Spring
Washer x 10



9 Flat Washer
x 10



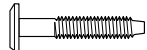
10 M6 JCN Nut
x 2



11 M6 x 15mm JCB
x 12



12 M6 x 30mm JCB
x 8



13 M6 x 35mm JCB
x 6



14 M6 x 40mm JCB
x 20

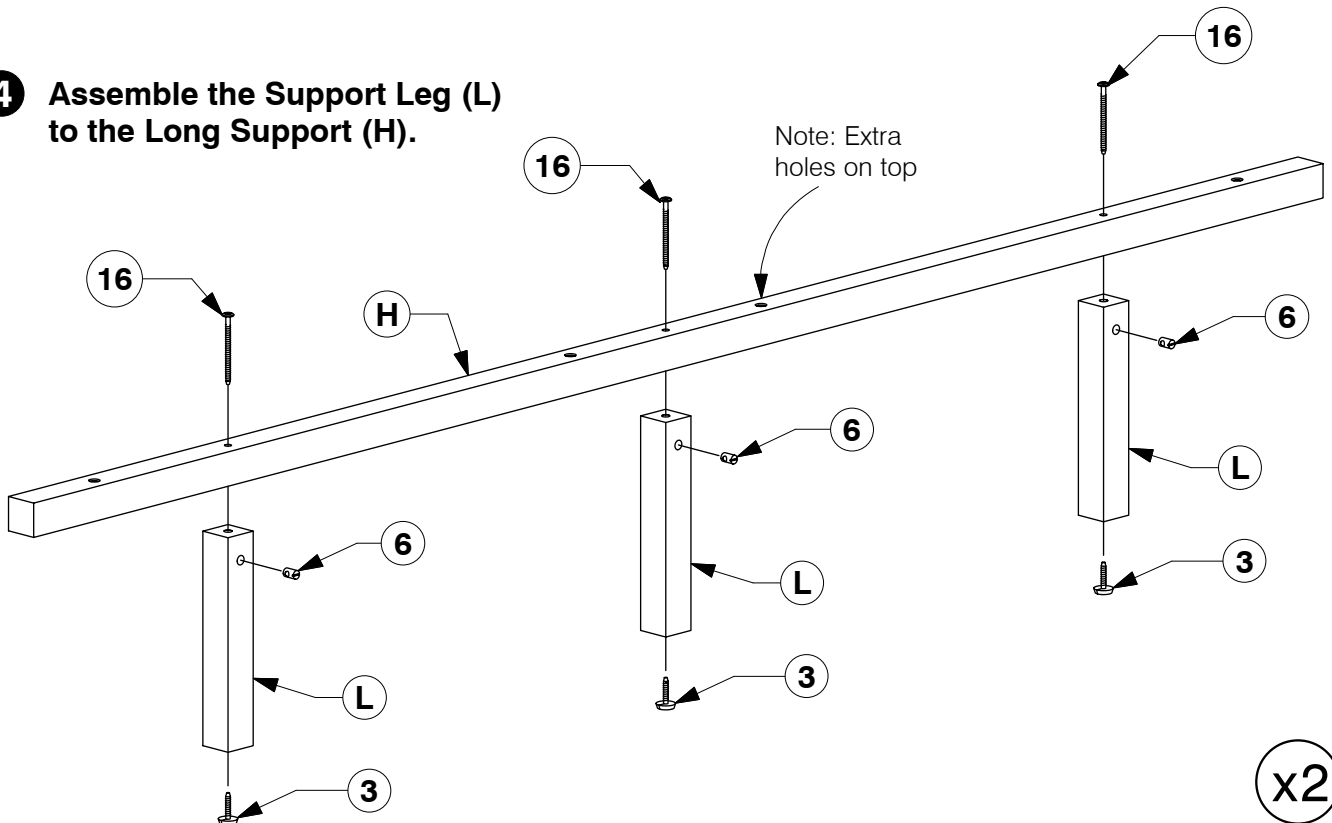


15 M6 x 60mm JCB
x 2



16 M6 x 90mm JCB
x 22

4 Assemble the Support Leg (L) to the Long Support (H).



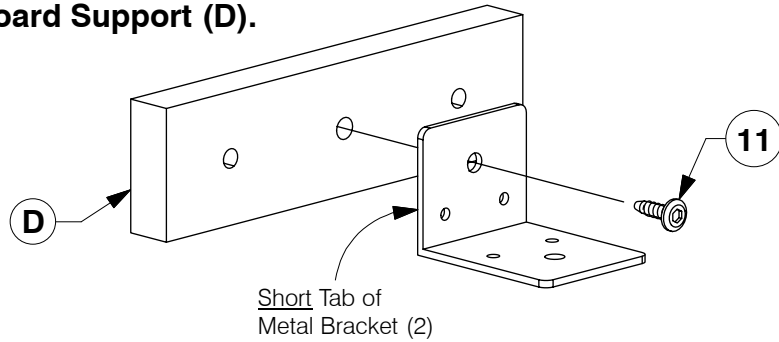
0047-9 King Bed

Assembly Instructions

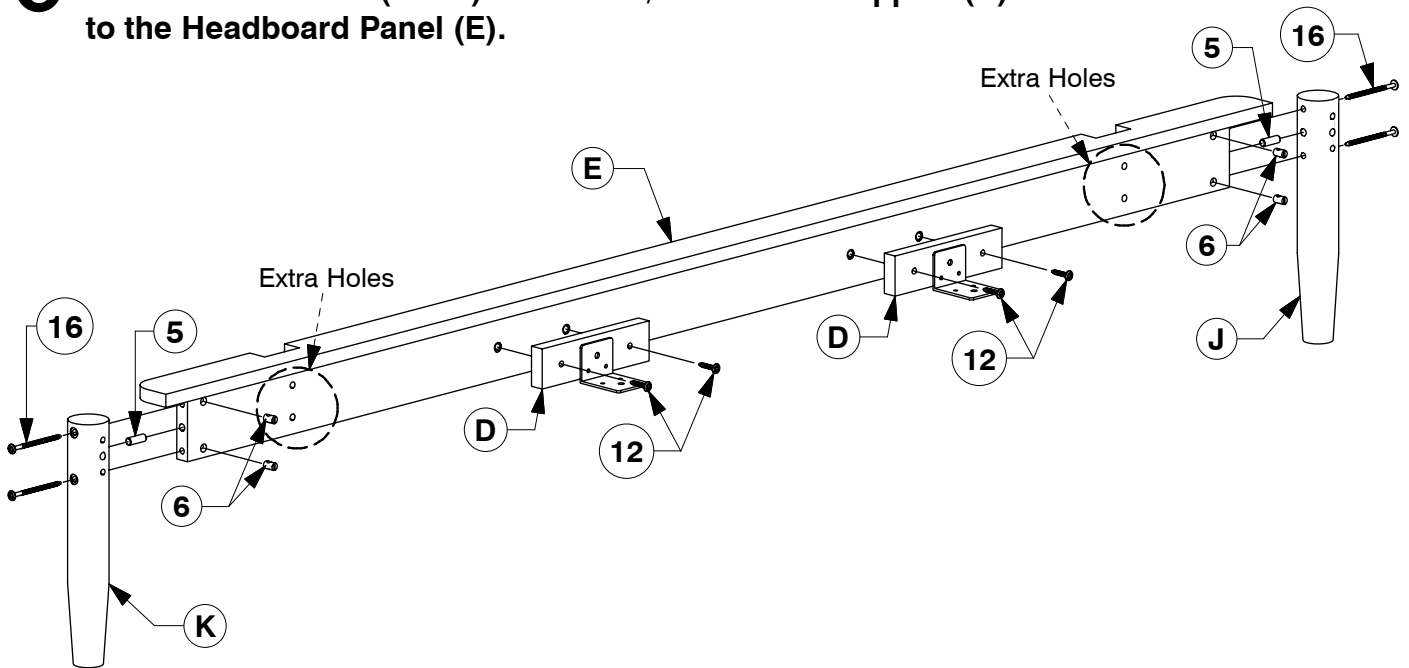
W11-0520

- 5** Fit the Center Rail Bracket to the Head / Footboard Support (D).

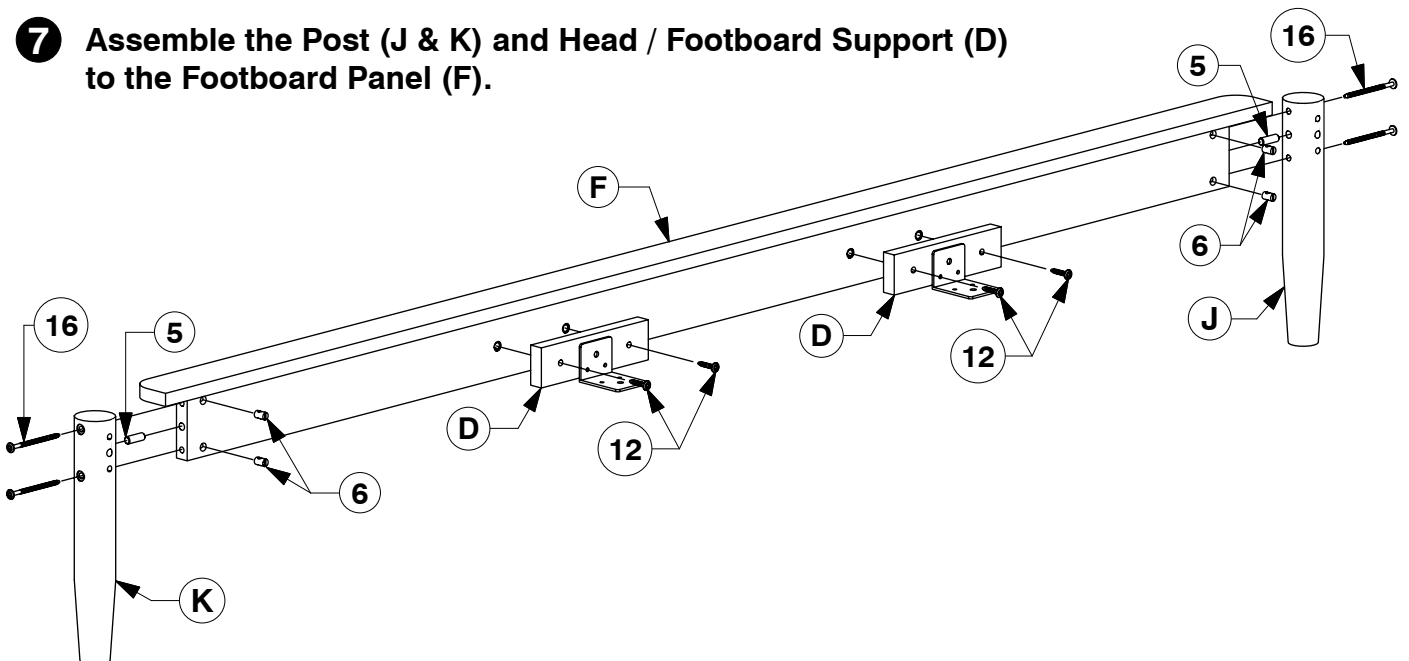
x4



- 6** Assemble the Post (J & K) and Head / Footboard Support (D) to the Headboard Panel (E).



- 7** Assemble the Post (J & K) and Head / Footboard Support (D) to the Footboard Panel (F).

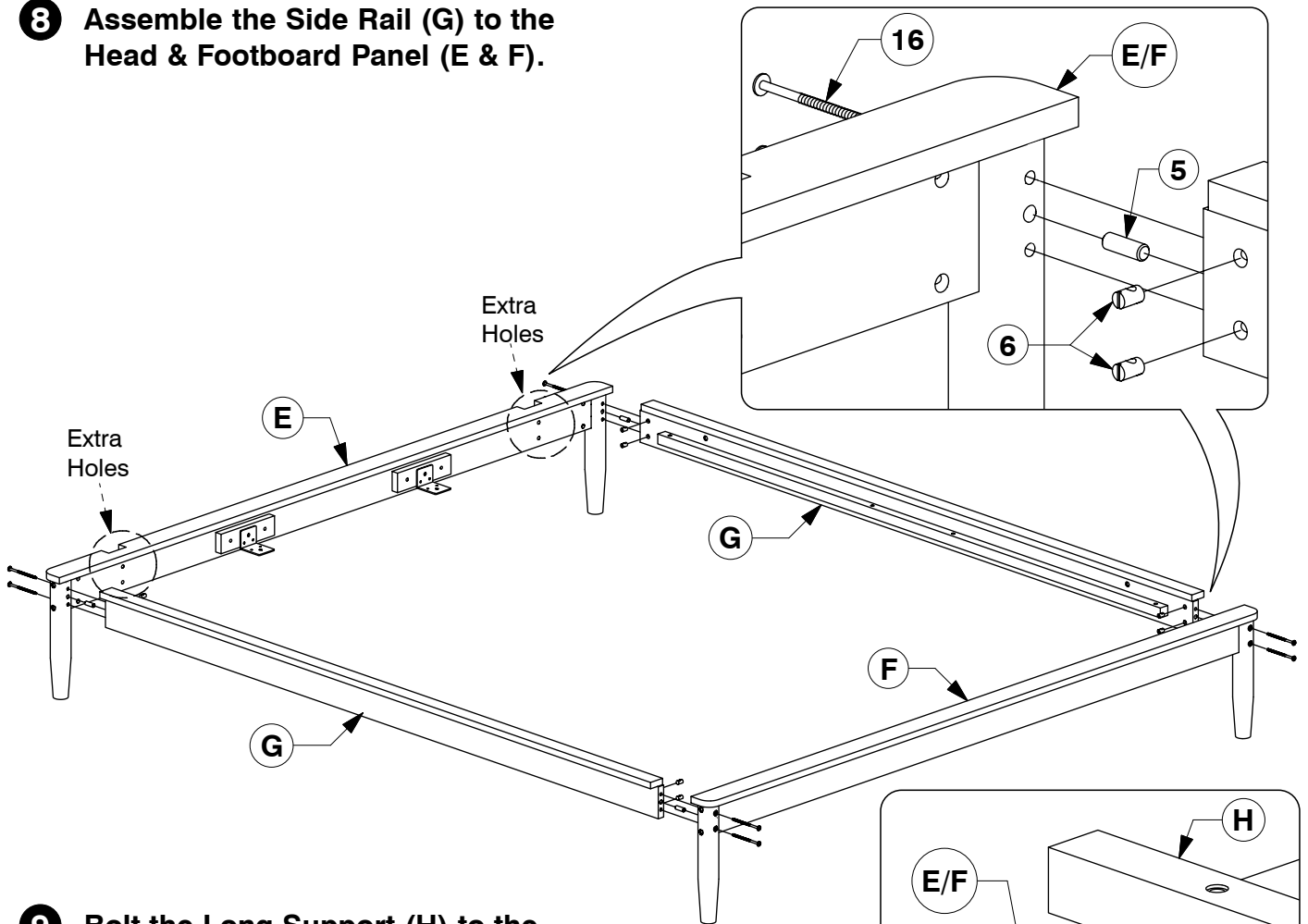


0047-9 King Bed

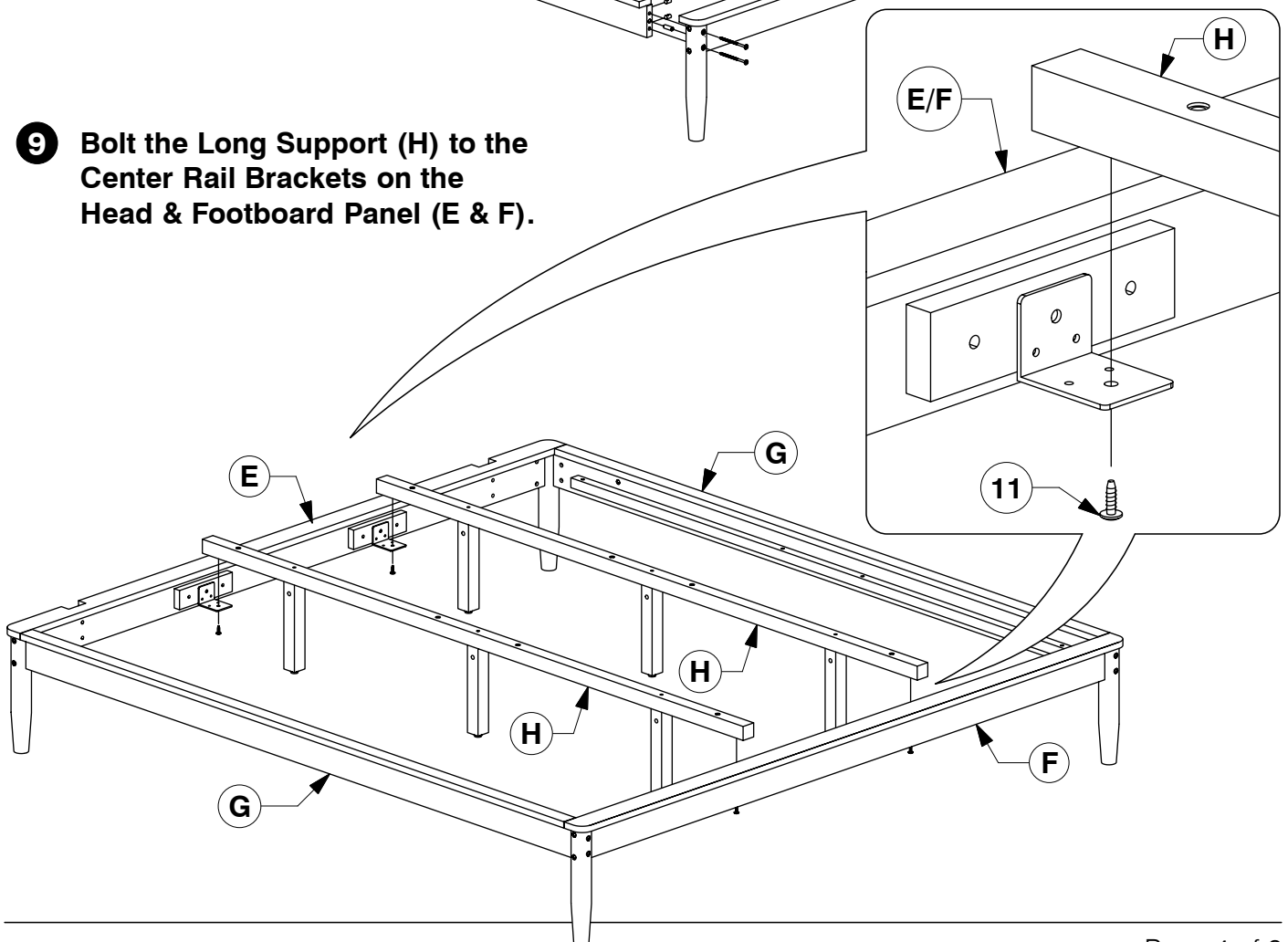
Assembly Instructions

WII-0520

- 8** Assemble the Side Rail (G) to the Head & Footboard Panel (E & F).



- 9** Bolt the Long Support (H) to the Center Rail Brackets on the Head & Footboard Panel (E & F).

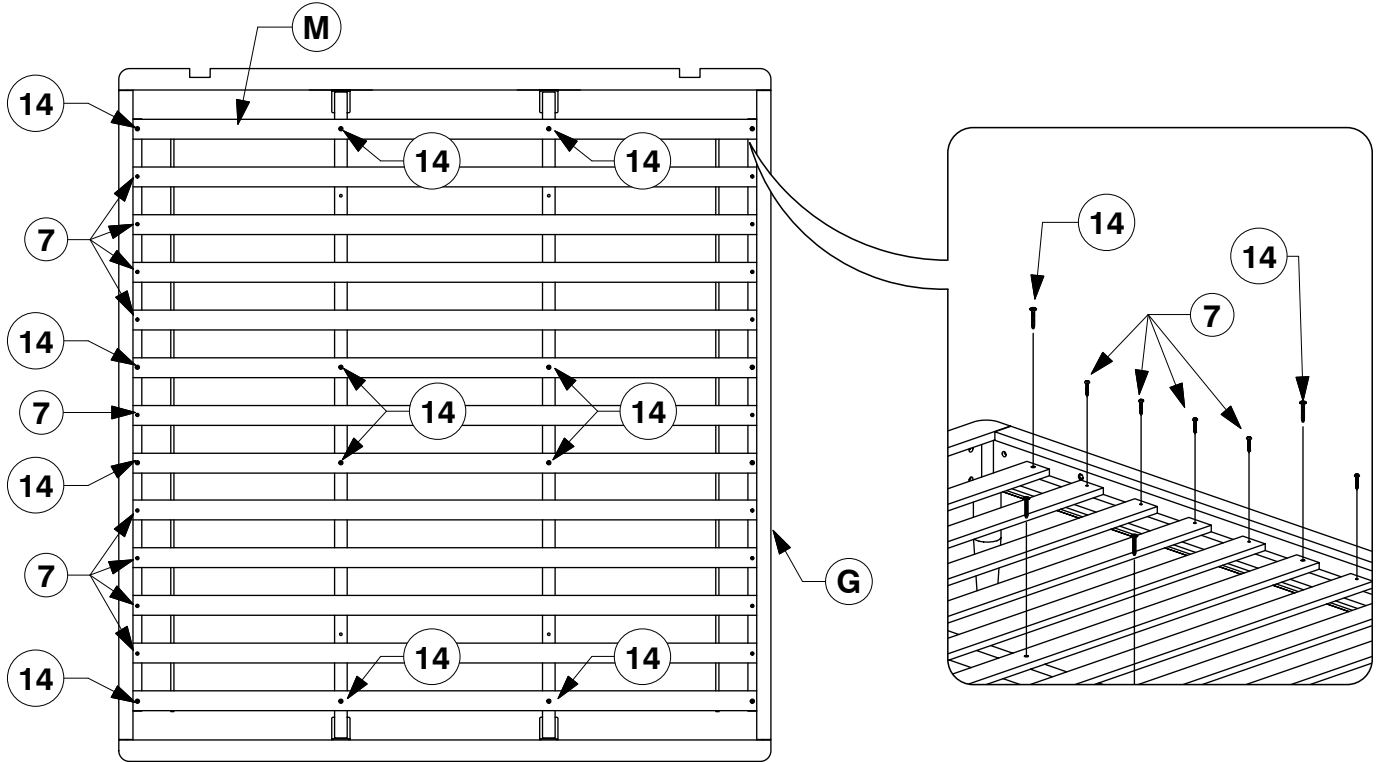


0047-9 King Bed

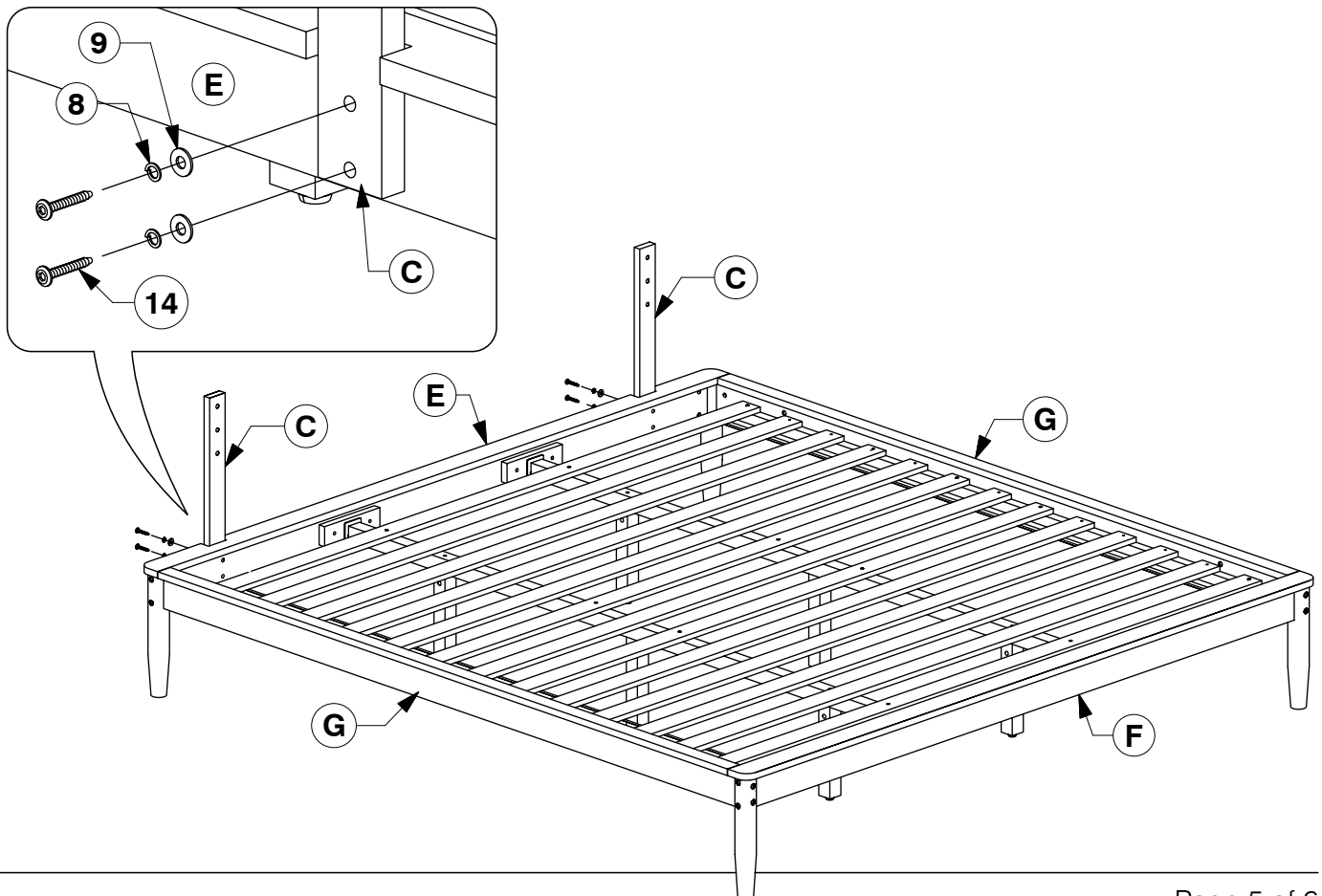
Assembly Instructions

WII-0520

- 10** Bolt & screw the Bed Slats (M) to the Side Rail (G).



- 11** Assemble the Support Bars (C) to the Headboard Panel (E).

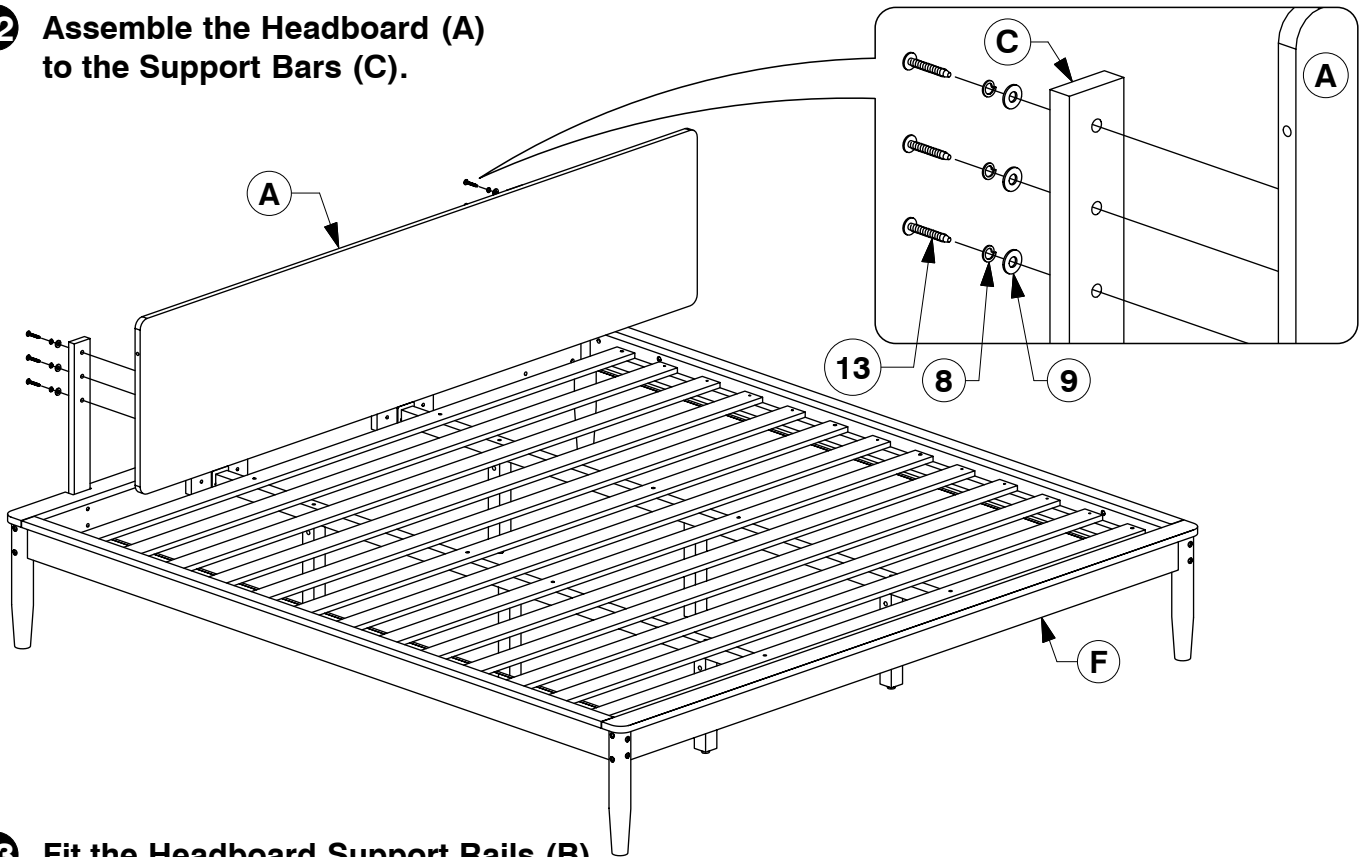


0047-9 King Bed

Assembly Instructions

W11-0520

- 12** Assemble the Headboard (A) to the Support Bars (C).



- 13** Fit the Headboard Support Rails (B) to the Headboard Panel (A) & Side Rail (G).

