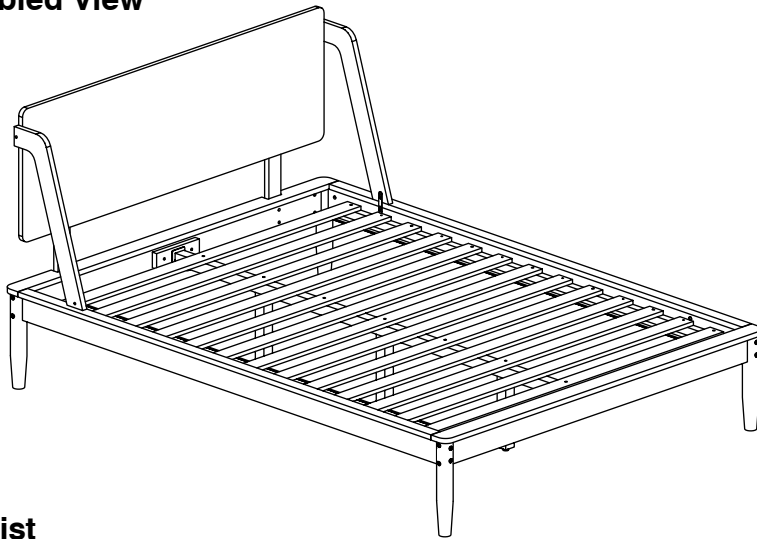


0047-9 Full Bed

Assembly Instructions

W11-0520

1 Assembled View



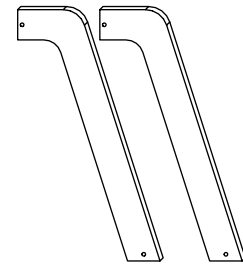
Note: Do not assemble using power tools. This can cause the bolts to be overtightened

2 Parts List

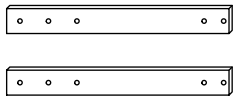
Parts in Box A:



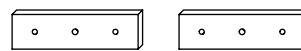
A Headboard x 1



B Headboard Support Rail x 2

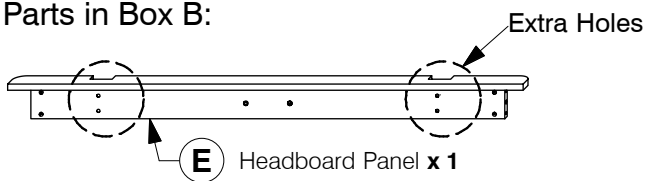


C Support Bar x 2



D Head / Footboard Support x 2

Parts in Box B:



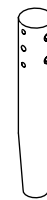
E Headboard Panel x 1



F Footboard Panel x 1



J Post (Left Hand) x 2



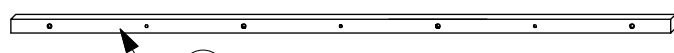
K Post (Right Hand) x 2



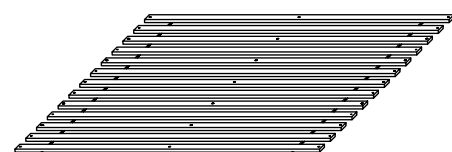
L Support Leg x 3



G Side Rail x 2



H Long Support x 1



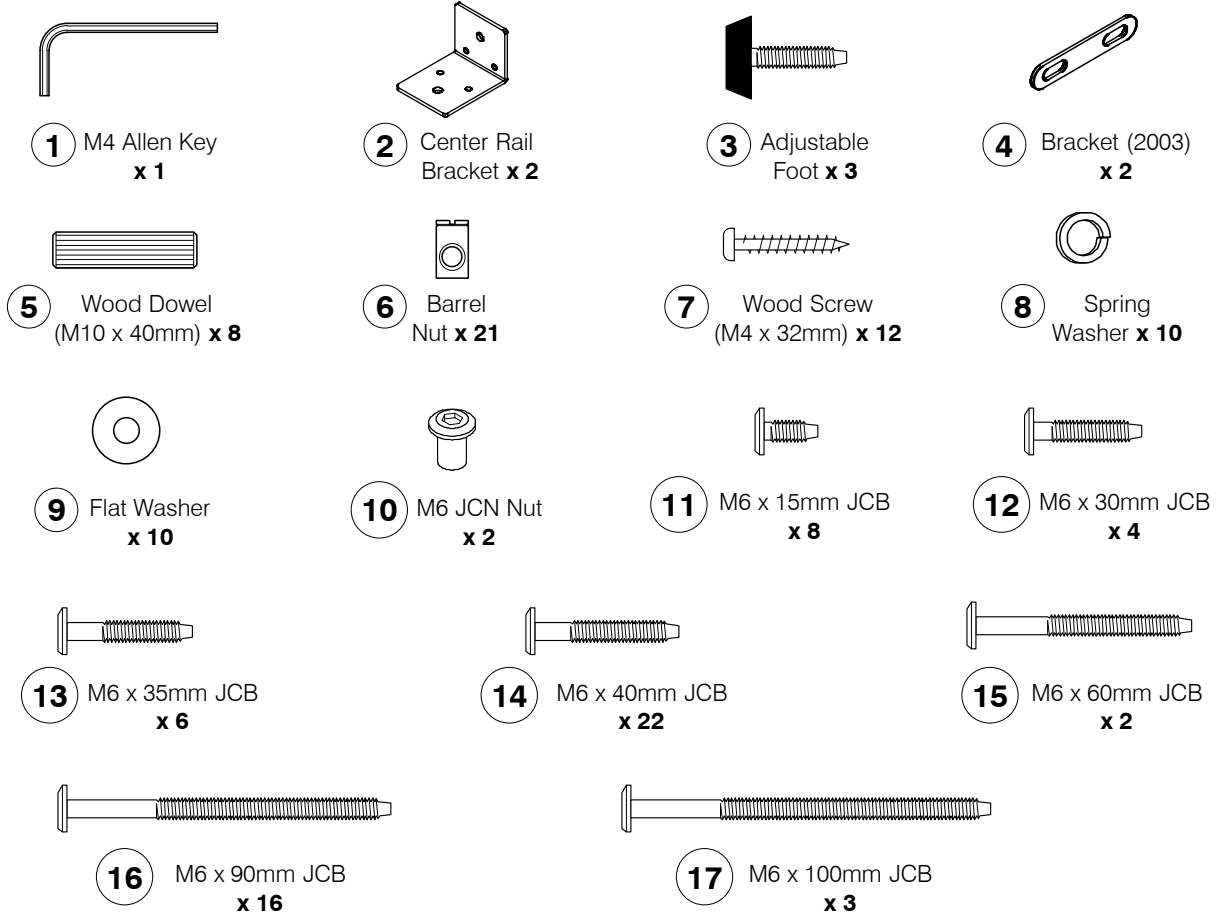
M Set of Bed Slats x 1

0047-9 Full Bed

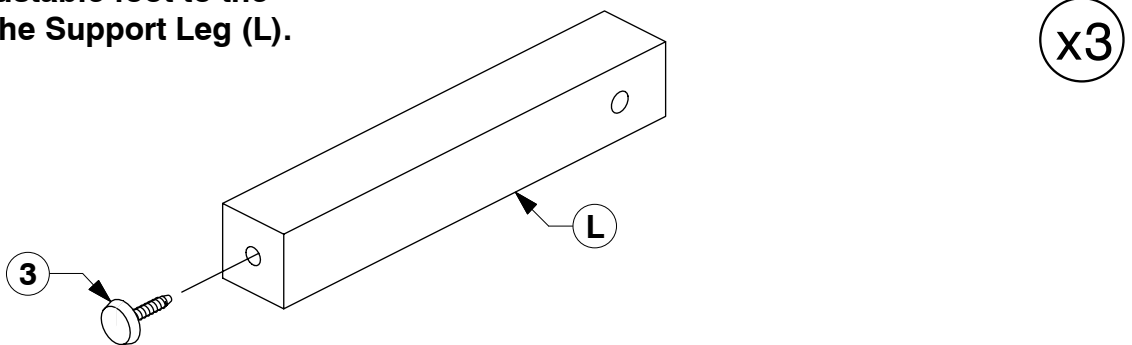
Assembly Instructions

W11-0520

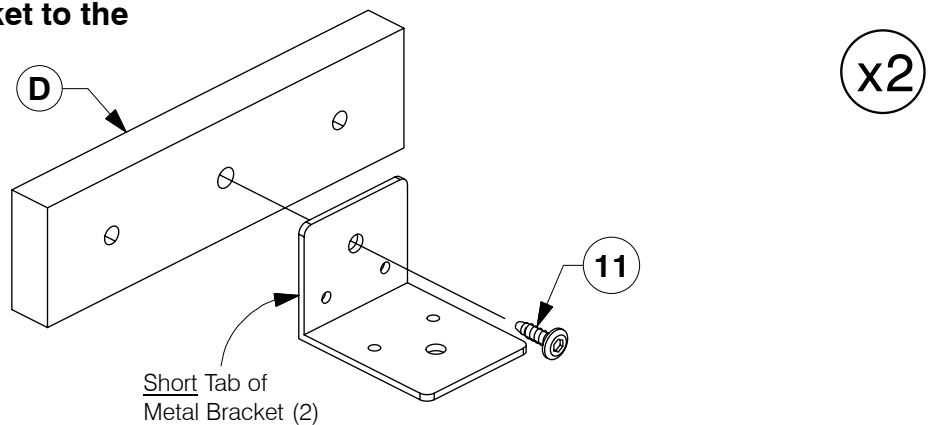
3 Hardware List



4 Fix the Adjustable foot to the bottom of the Support Leg (L).



5 Fit the Center Rail Bracket to the Head / Footboard Support (D).

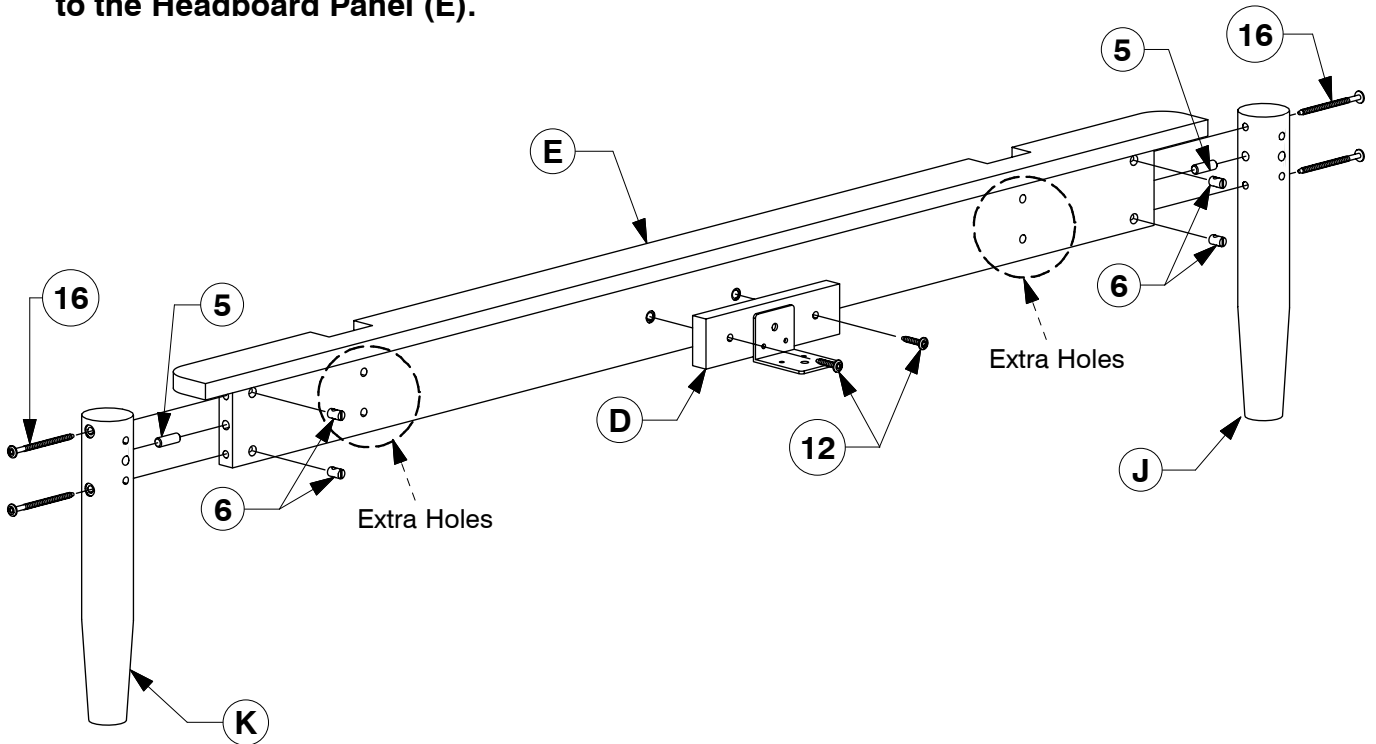


0047-9 Full Bed

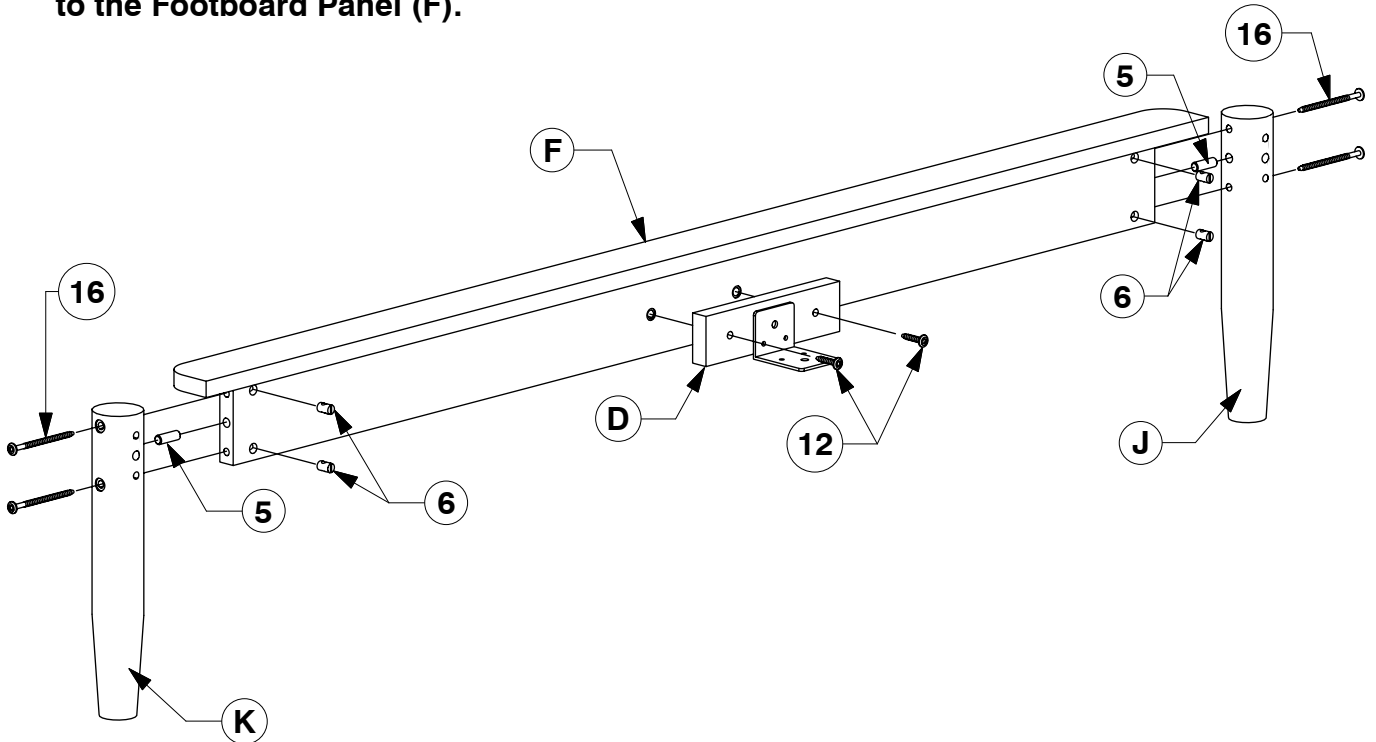
Assembly Instructions

WII-0520

- 6 Assemble the Post (J & K) and Head / Footboard Support (D) to the Headboard Panel (E).**



- 7 Assemble the Post (J & K) and Head / Footboard Support (D) to the Footboard Panel (F).**

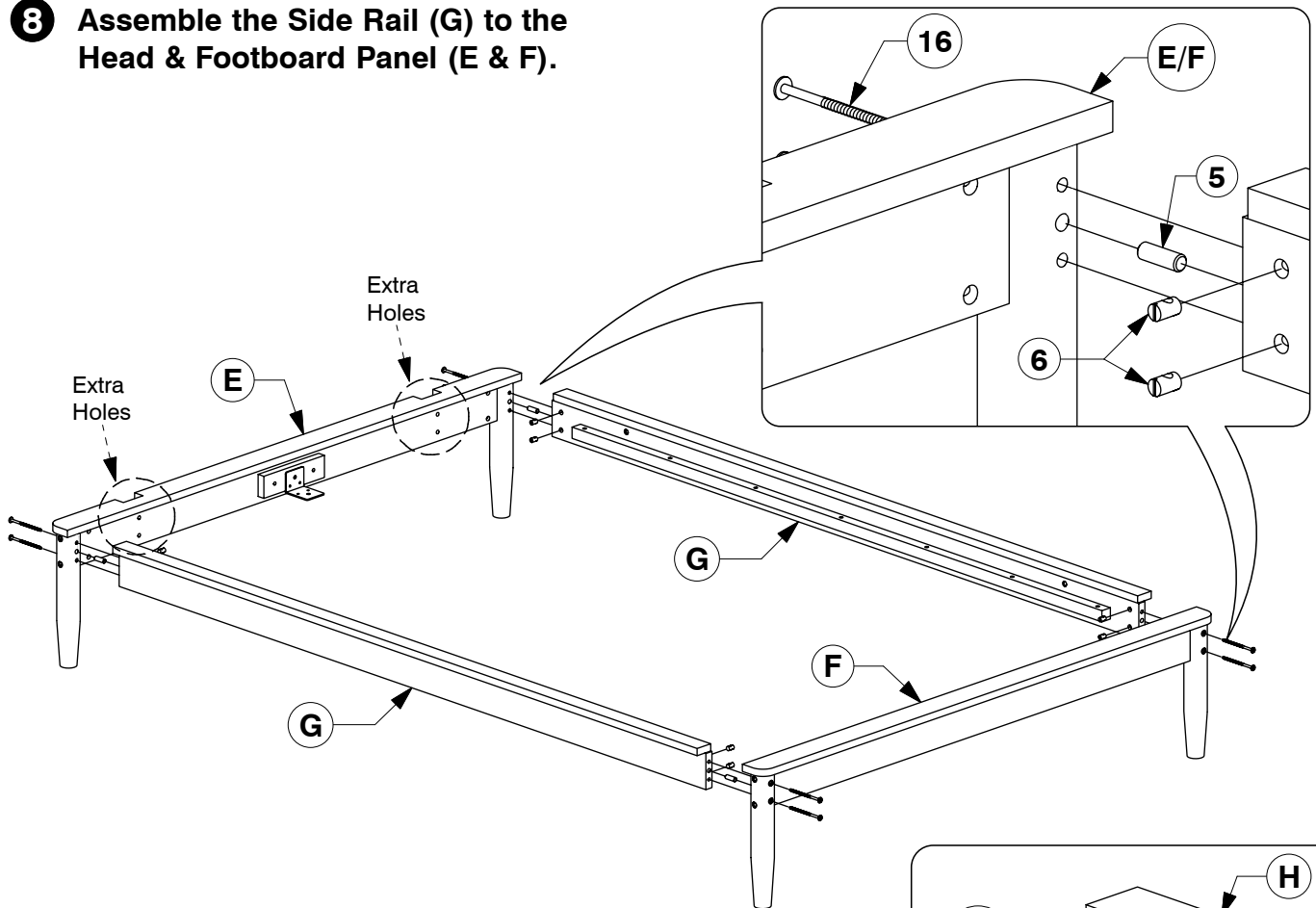


0047-9 Full Bed

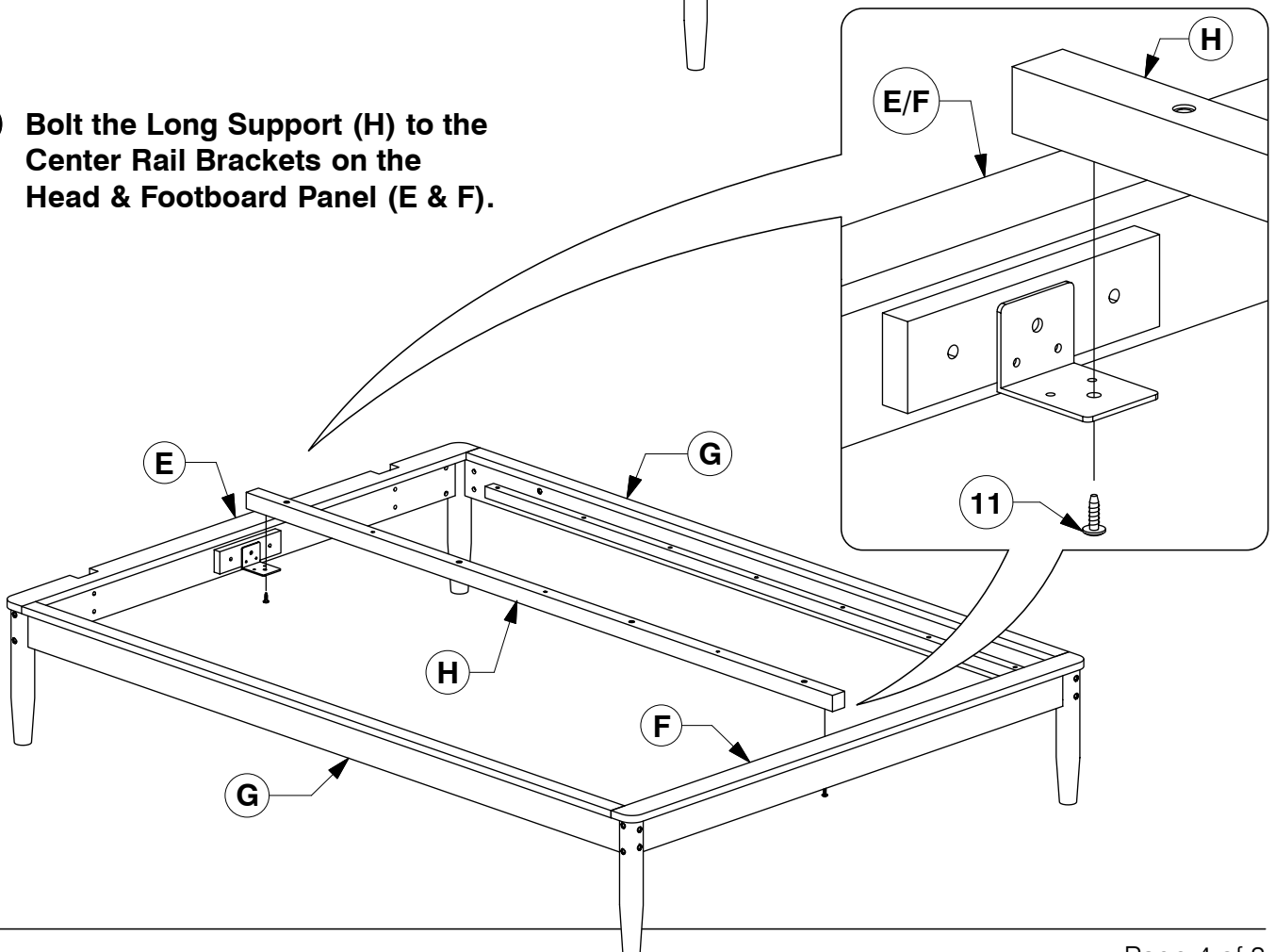
Assembly Instructions

W11-0520

- 8** Assemble the Side Rail (G) to the Head & Footboard Panel (E & F).



- 9** Bolt the Long Support (H) to the Center Rail Brackets on the Head & Footboard Panel (E & F).

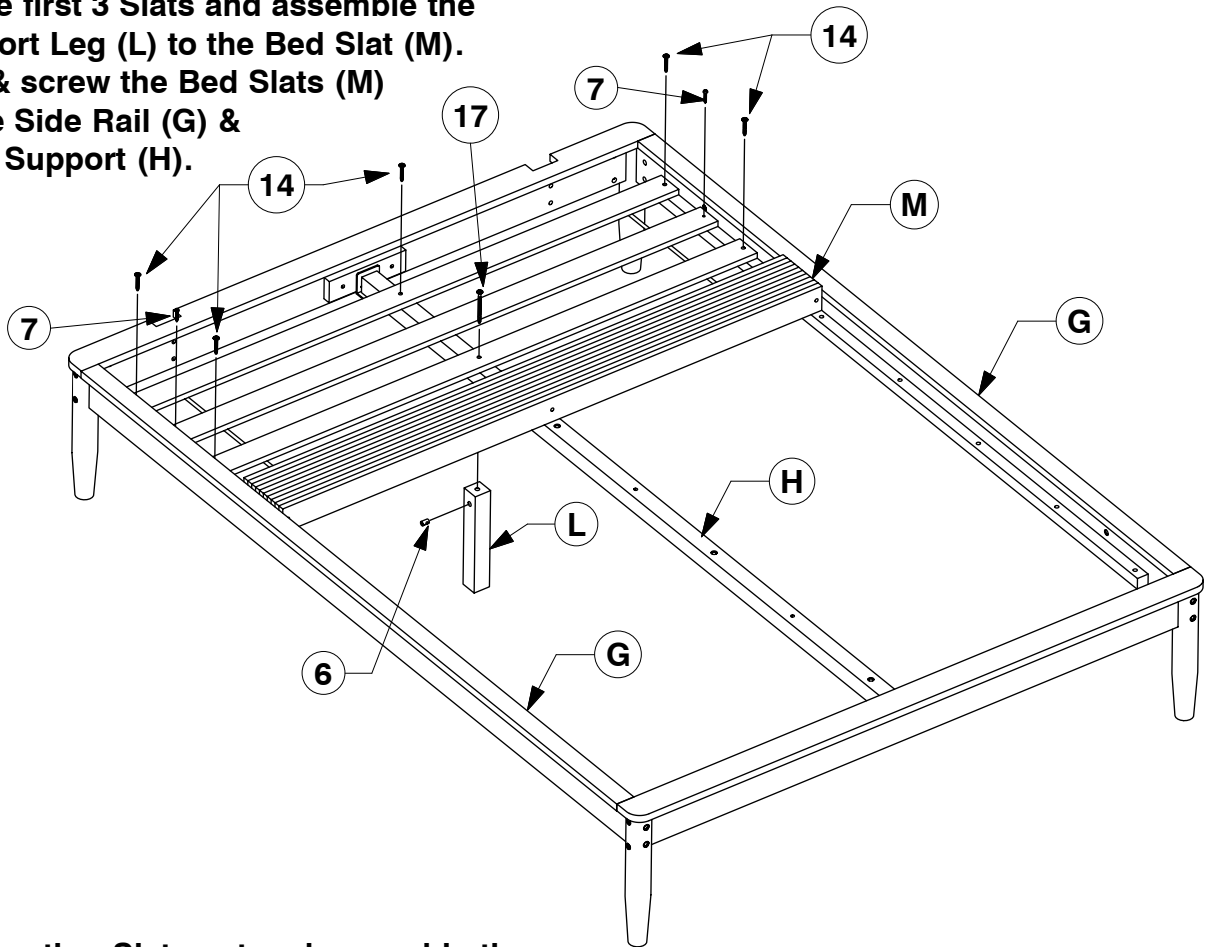


0047-9 Full Bed

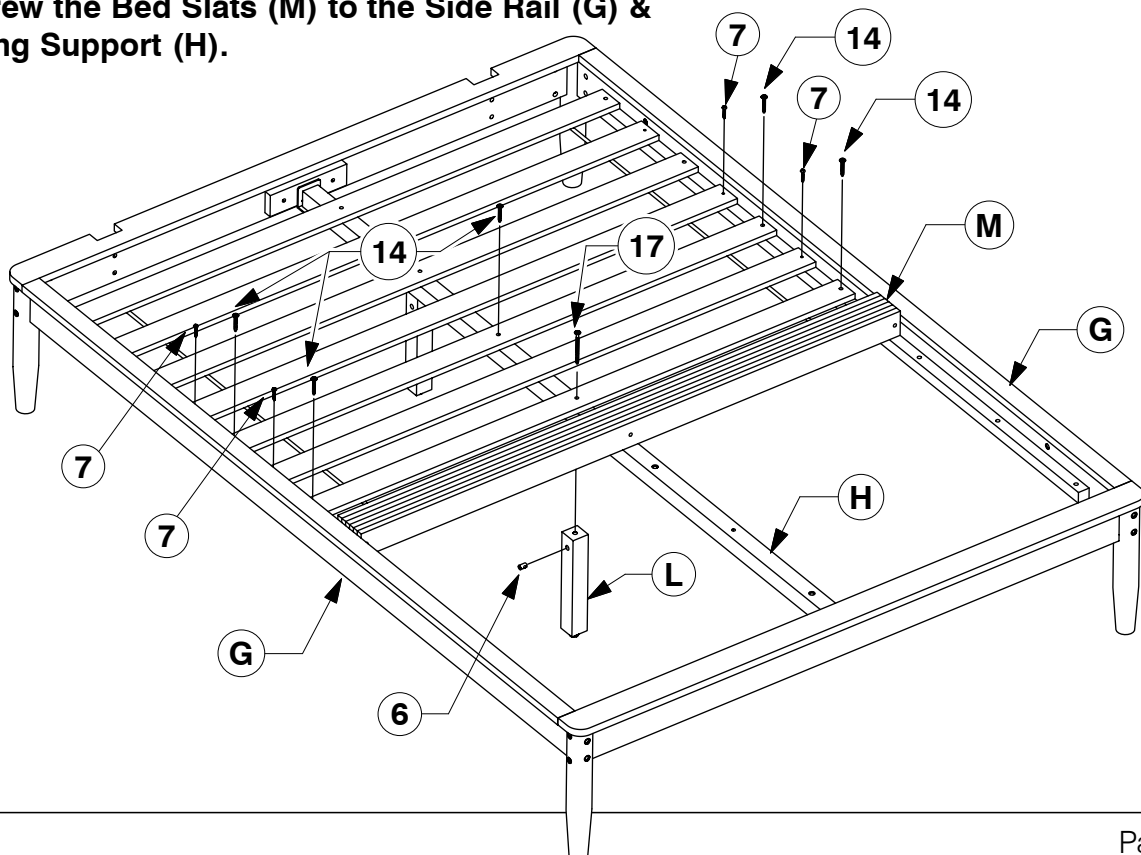
Assembly Instructions

W11-0520

- 10** Fit the first 3 Slats and assemble the Support Leg (L) to the Bed Slat (M). Bolt & screw the Bed Slats (M) to the Side Rail (G) & Long Support (H).



- 11** Fit the other Slats out and assemble the Support Leg (L) to the Bed Slat (M). Bolt & screw the Bed Slats (M) to the Side Rail (G) & Long Support (H).

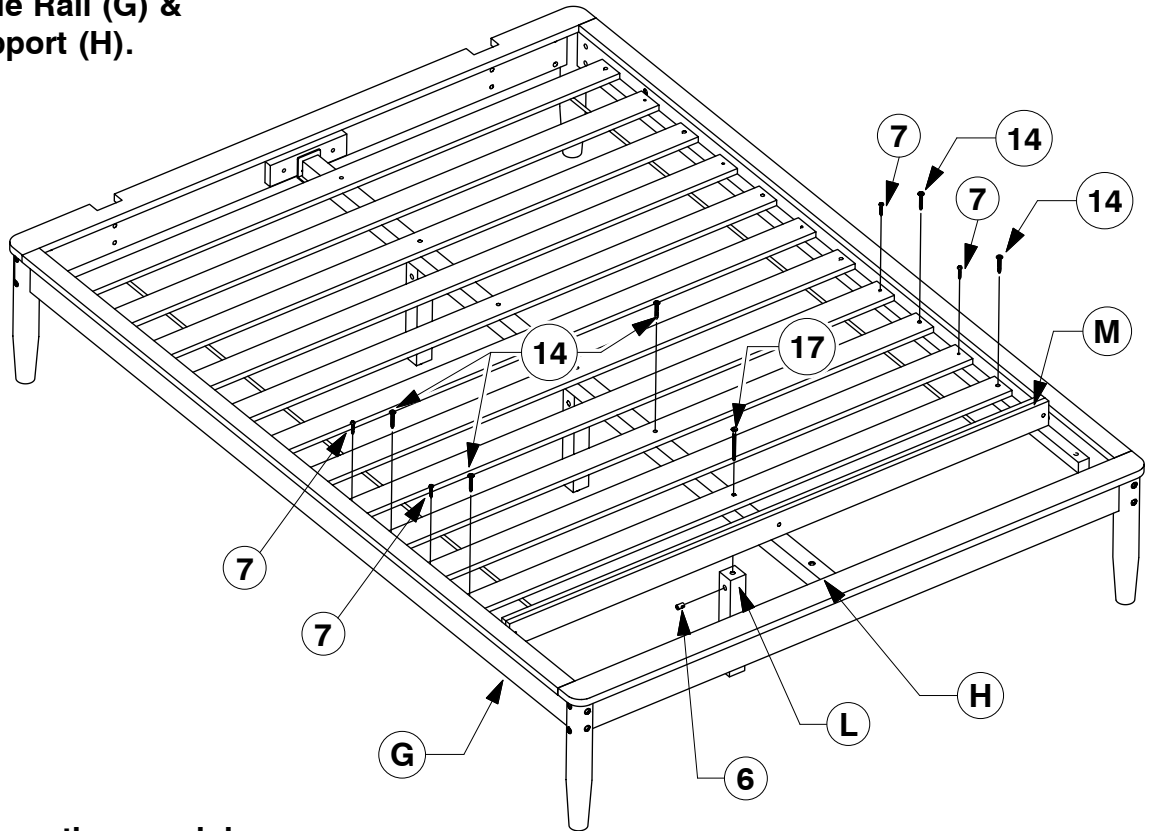


0047-9 Full Bed

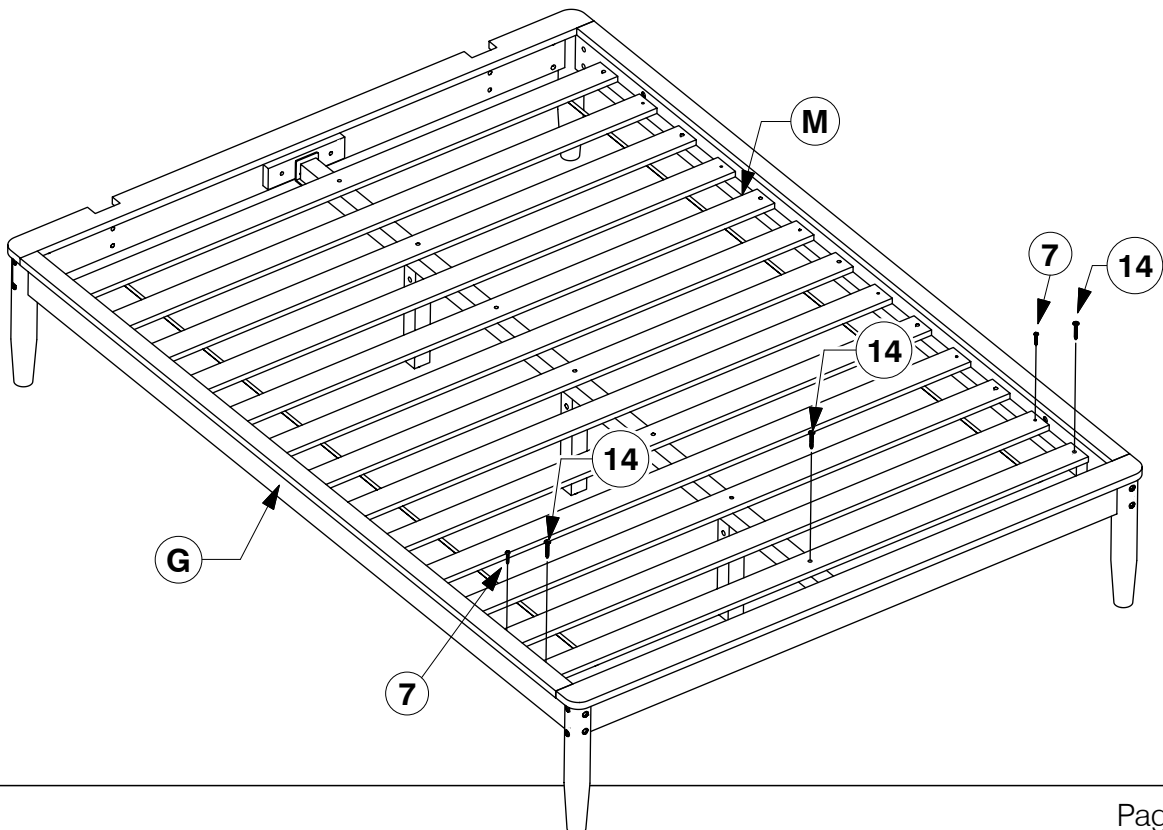
Assembly Instructions

W11-0520

- 12** Fit the other Slats out and assemble the Support Leg (L) to the Bed Slat (M). Bolt & screw the Bed Slats (M) to the Side Rail (G) & Long Support (H).



- 13** Bolt & screw the remaining Bed Slats (M) to the Side Rail (G).

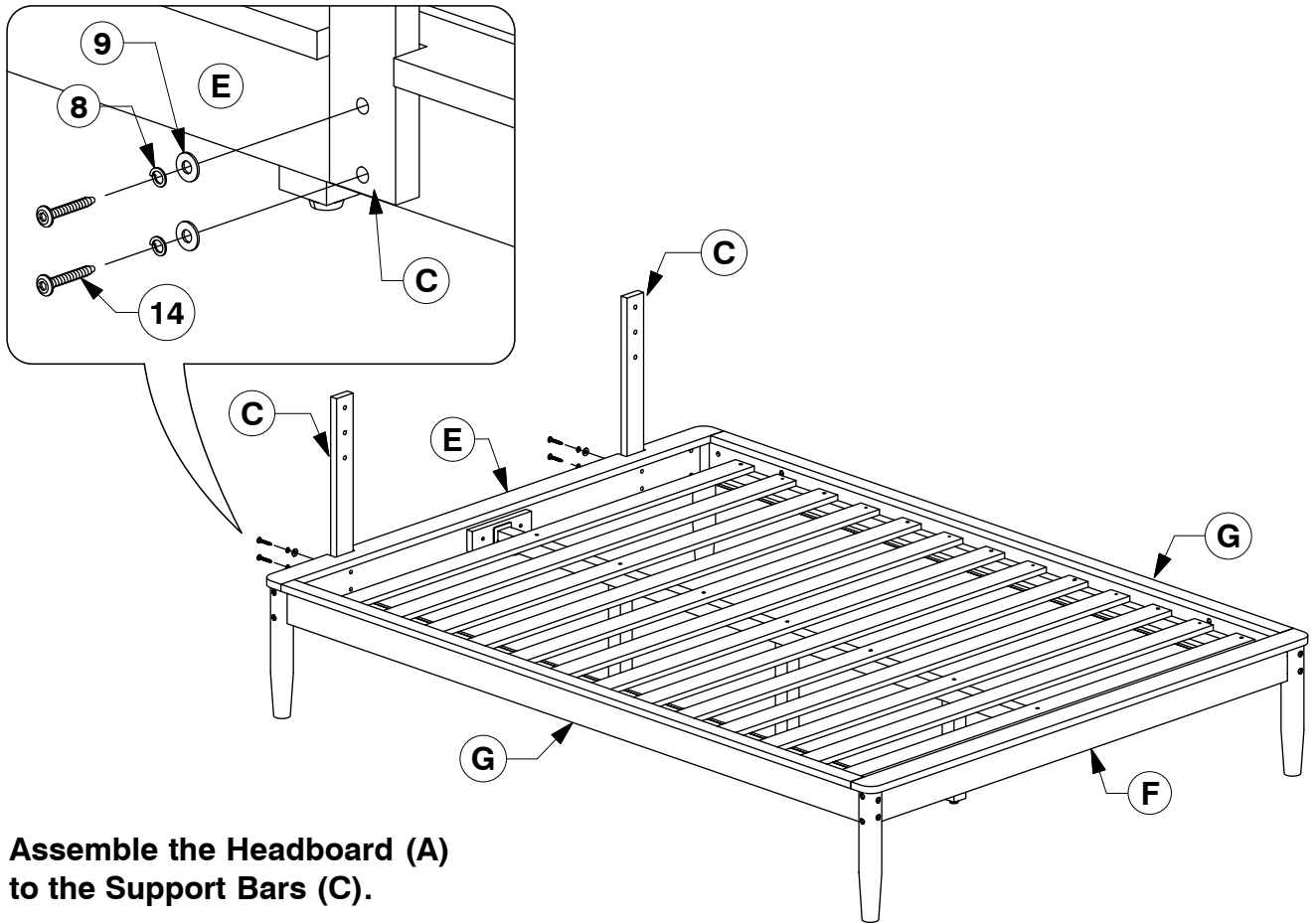


0047-9 Full Bed

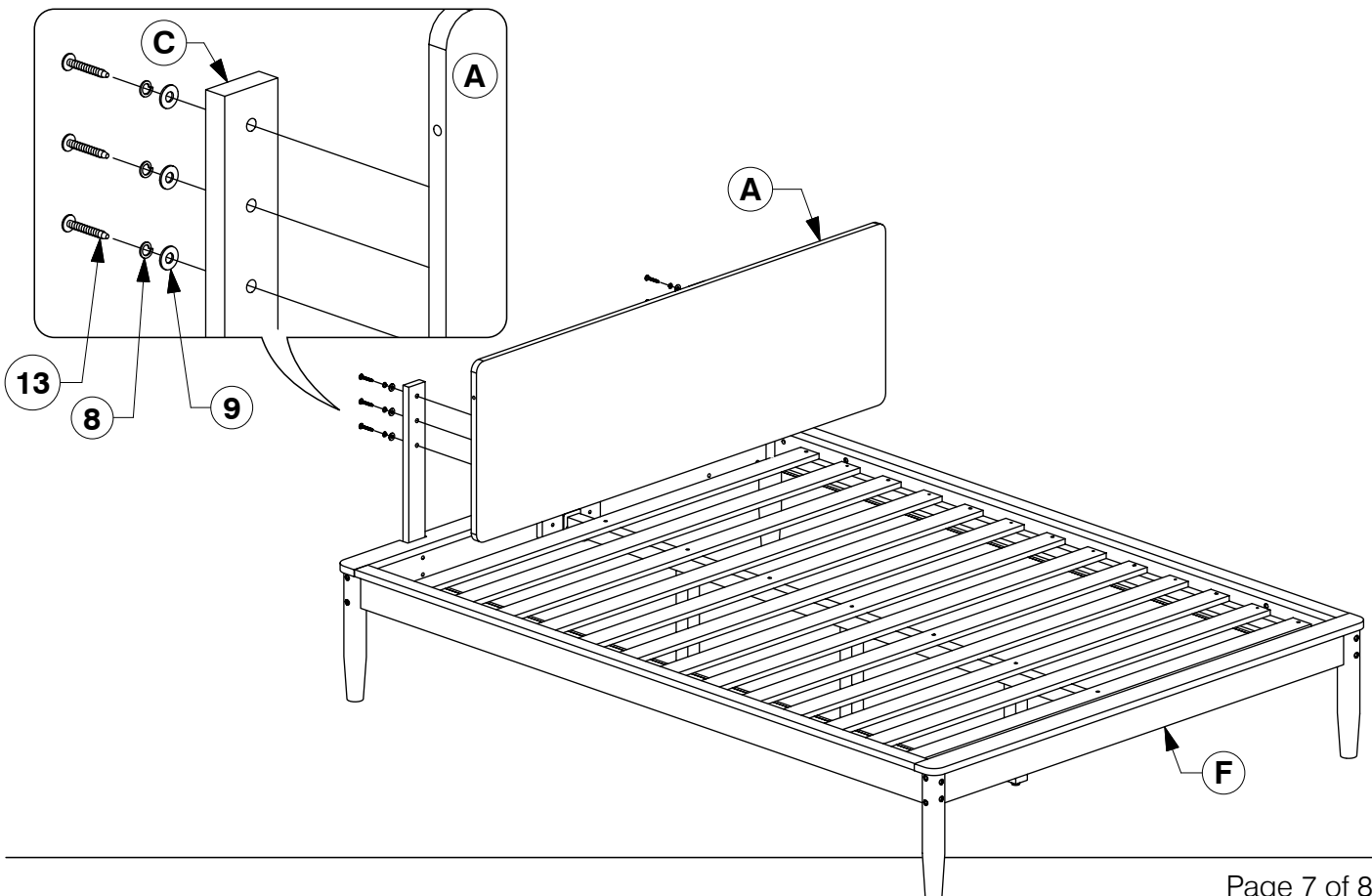
Assembly Instructions

WII-0520

- 14** Assemble the Support Bars (C) to the Headboard Panel (E).



- 15** Assemble the Headboard (A) to the Support Bars (C).



0047-9 Full Bed

Assembly Instructions

W11-0520

- 16** Fit the Headboard Support Rails (B) to the Headboard Panel (A) & Side Rail (G).

