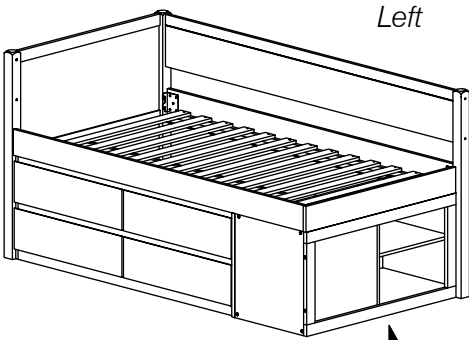


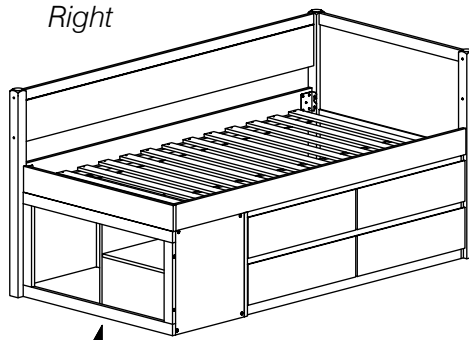
0042 Twin Captain's Bed

Assembly Instructions

WII-0120

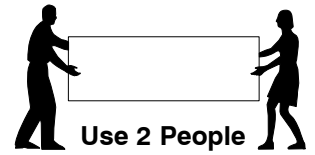


Left



Right

Storage can be assembled
on the left or on the right.



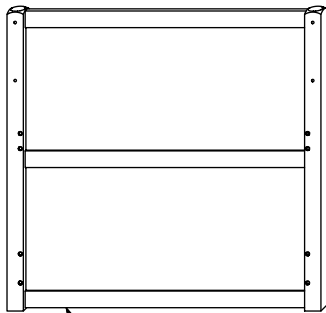
Use 2 People



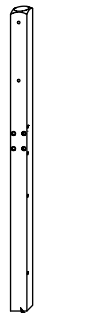
Note: Do not assemble
using power tools.
This can cause the bolts
to be overtightened

1 Parts List

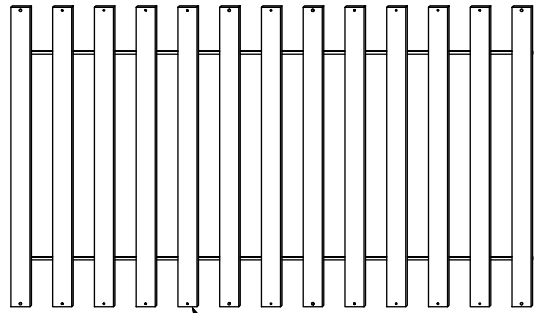
Parts in Box A:



A
Headboard Panel x 1

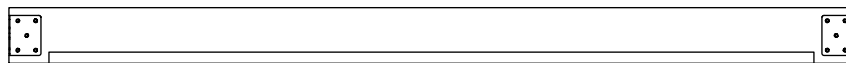


B
Headboard Post x 1

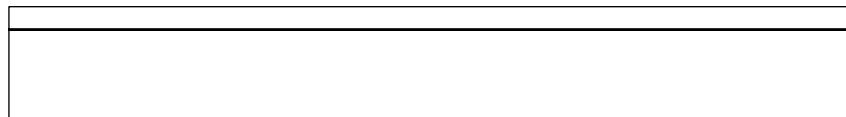


C
Set of Bed Slats x 1

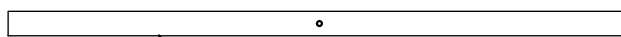
Parts in Box B:



D Side Rail x 2



E Back Panel x 1



F Lower Drawer- Support Bar x 5

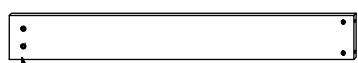
0042 Twin Captain's Bed

Assembly Instructions

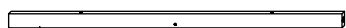
W11-0120

1 Part List

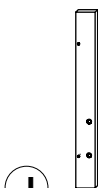
Parts in Box C:



G Footboard Panel x 1



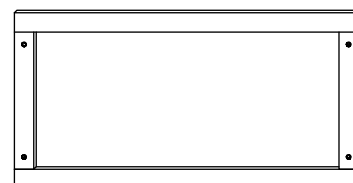
H Lower Storage-Support Rail x 2



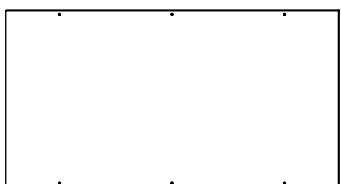
J Lower Storage-Support Bar (Left Hand) x 1



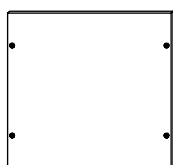
K Lower Storage-Support Bar (Right Hand) x 1



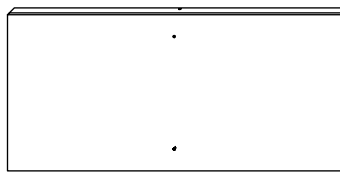
L Lower Storage-Front Frame x 1



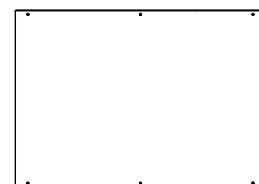
M Lower Storage-Back Panel x 1



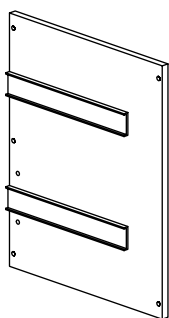
N Lower Storage-Shelf x 1



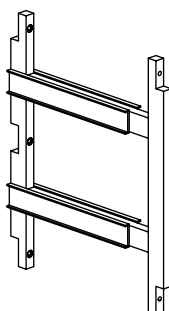
O Lower Storage-Lower Panel x 1



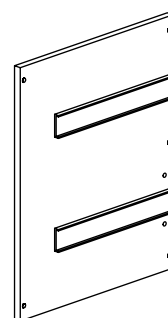
P Lower Drawer-Back Panel x 2



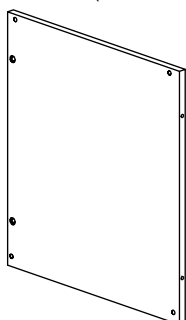
Q Lower Drawer-Side Panel (Left Hand) x 1



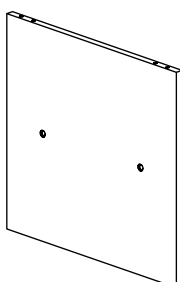
R Lower Drawer-Center Panel x 1



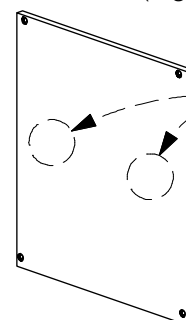
S Lower Drawer-Side Panel (Right Hand) x 1



T Lower Storage-Side Panel (Left Hand) x 1

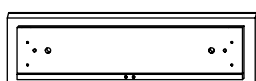


U Lower Storage-Center Panel x 1



V Lower Storage-Side Panel (Right Hand) x 1

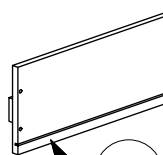
Extra holes (shown inside)



W1 Drawer Face x 4

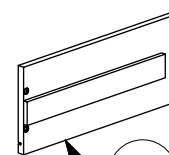


W3 Drawer Bottom x 4



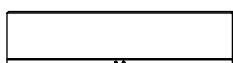
W5

Drawer Side Panel (Left Hand) x 4

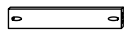


W6

Drawer Side Panel (Right Hand) x 4



W2 Drawer Back x 4



W4 Drawer Rail x 4

0042 Twin Captain's Bed

Assembly Instructions

WII-0120

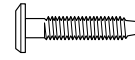
2 Hardware List



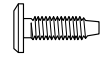
1 M6 x 90mm JCB
x 8



2 M6 x 40mm JCB
x 8



3 M6 x 30mm JCB
x 27



4 M6 x 20mm JCB
x 8



5 M6 x 15mm JCB
x 16



6 Wood Dowel
(6 x 25mm) x 16



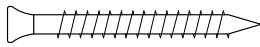
7 Barrel Nut
x 6



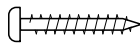
8 Flat Washer
x 8



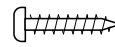
9 Spring Washer x 8



10 CSK Cap Wood Screw
(M6 x 50mm) x 8



11 Wood Screw
(M4 x 32mm) x 18



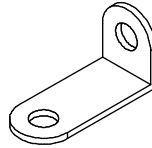
12 Wood Screw
(M4 x 25mm) x 40



13 Wood Screw
(M4 x 16mm) x 22



14 'L' Bracket (5005-3) x 8

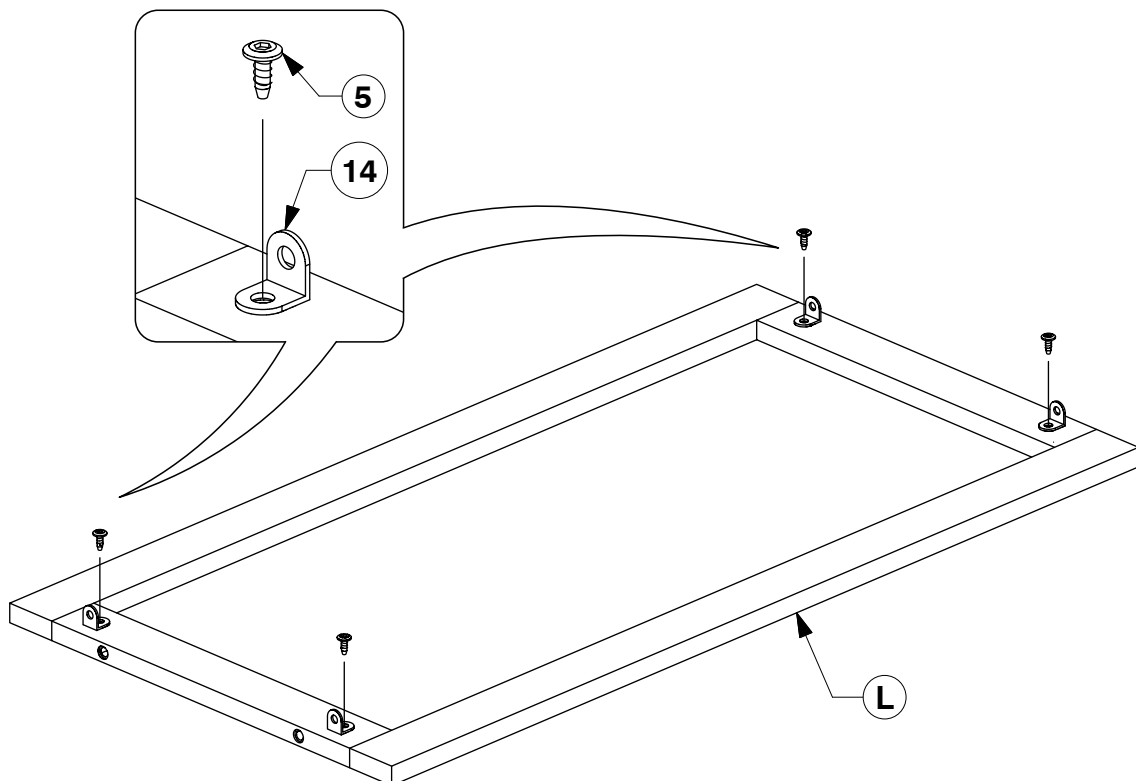


15 'L' Bracket (5003) x 2



16 Allen Key x 1

3 Fit the 'L' Bracket (14) to the Lower Storage- Front Frame (L).

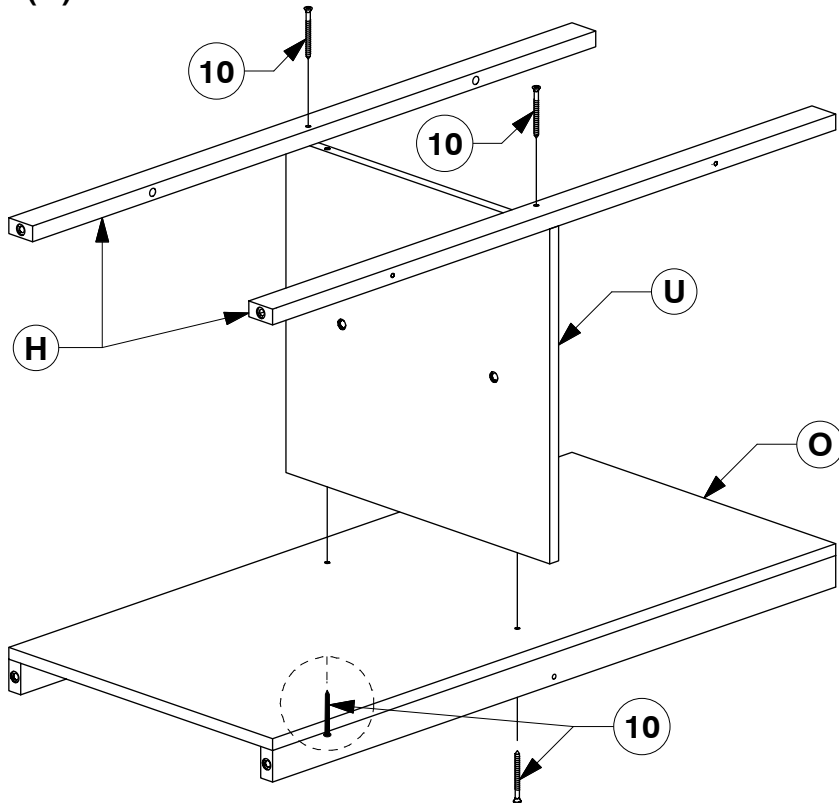


0042 Twin Captain's Bed

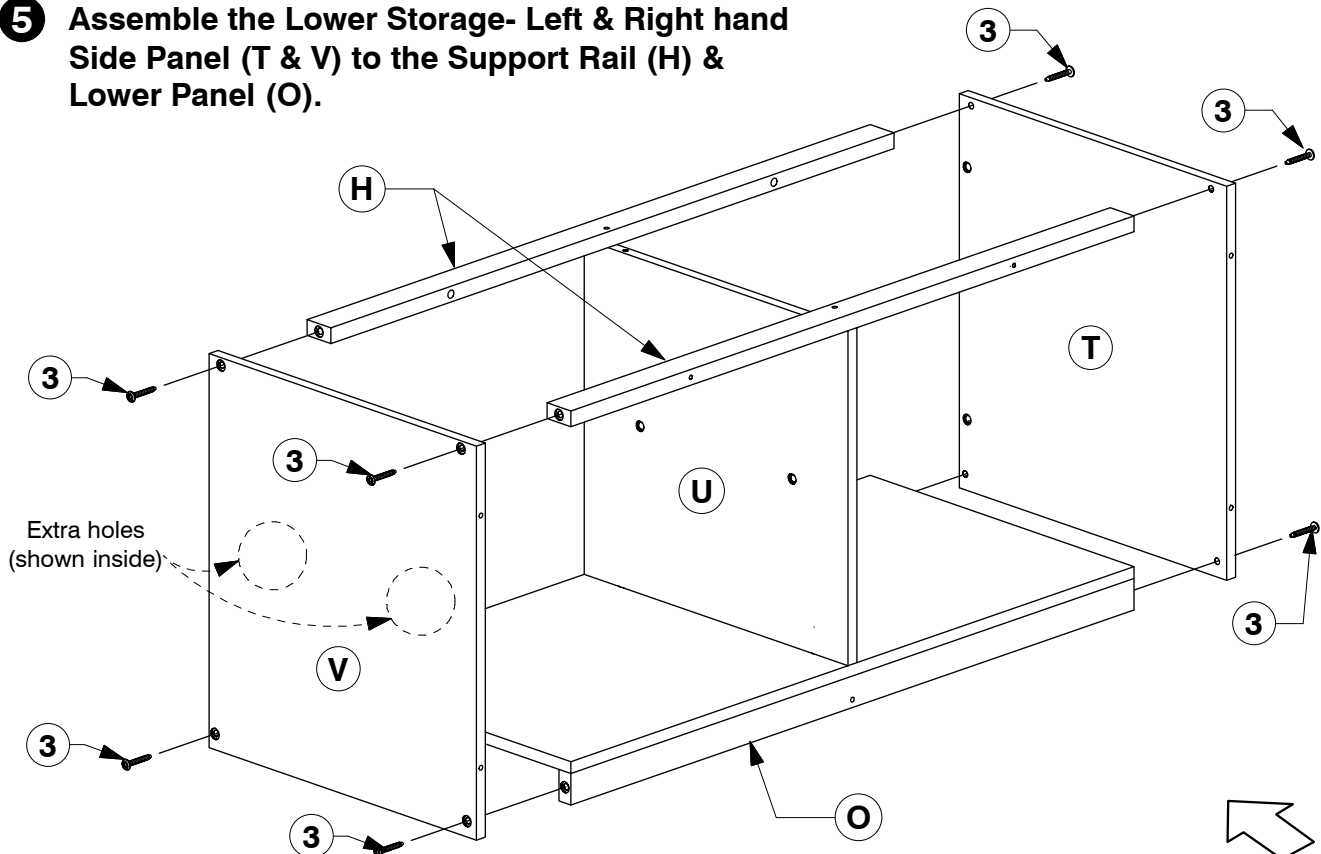
Assembly Instructions

WII-0120

- 4** Attach the Lower Storage- Support Bar (H) & Lower Panel (O) to the Center Panel (U).



- 5** Assemble the Lower Storage- Left & Right hand Side Panel (T & V) to the Support Rail (H) & Lower Panel (O).



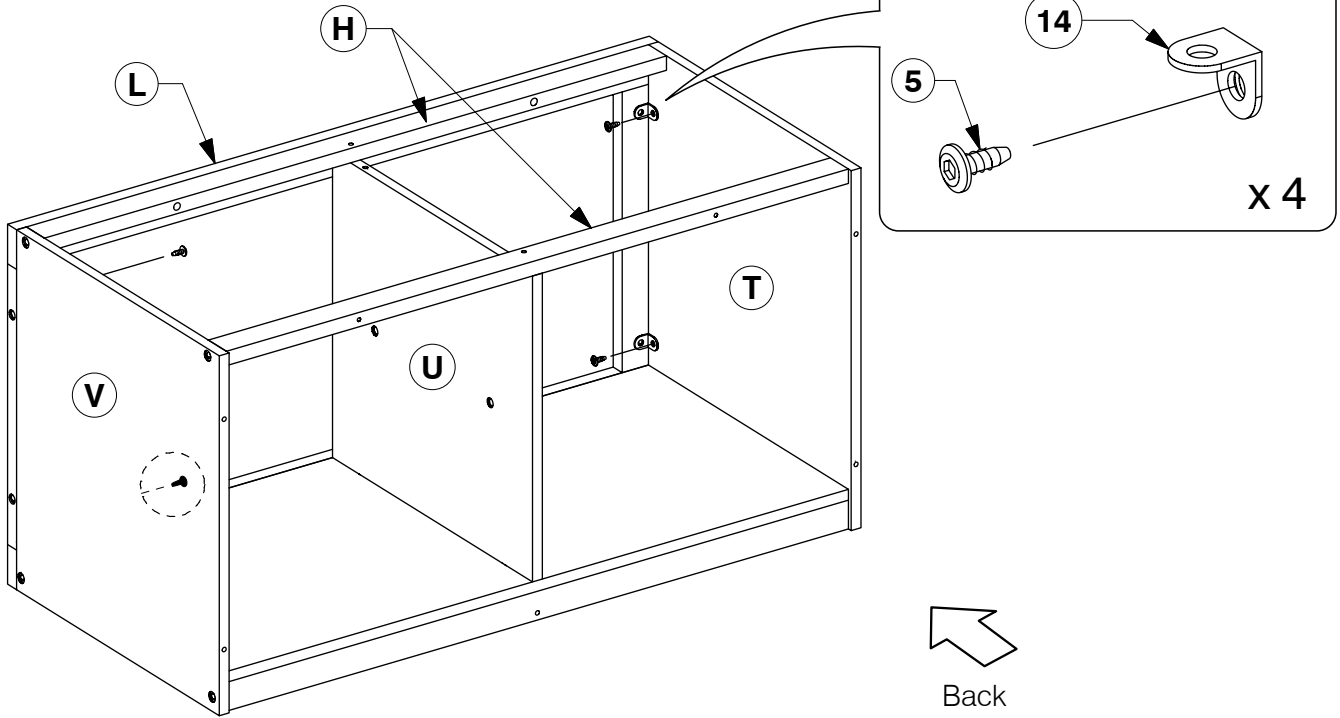
Back

0042 Twin Captain's Bed

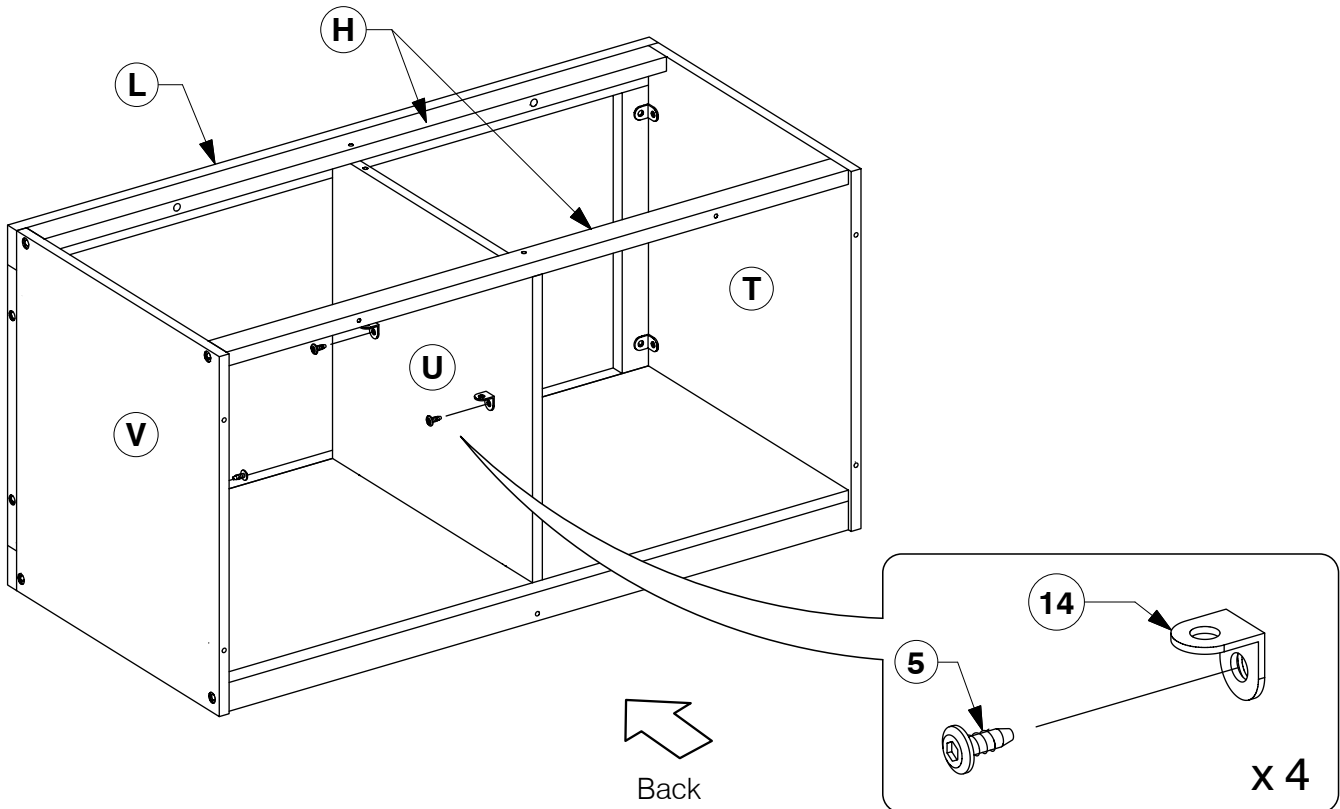
Assembly Instructions

WII-0120

- 6** Attach the Lower Storage- Support Rail (H) & Front Frame (L). Lastly, tighten Left & Right hand Side Panel (T & V) with using 15mm JCBs (5).



- 7** Fit the 'L' Bracket (14) to the Lower Storage- Right hand Side Panel (V) & Center Panel (U).

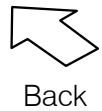
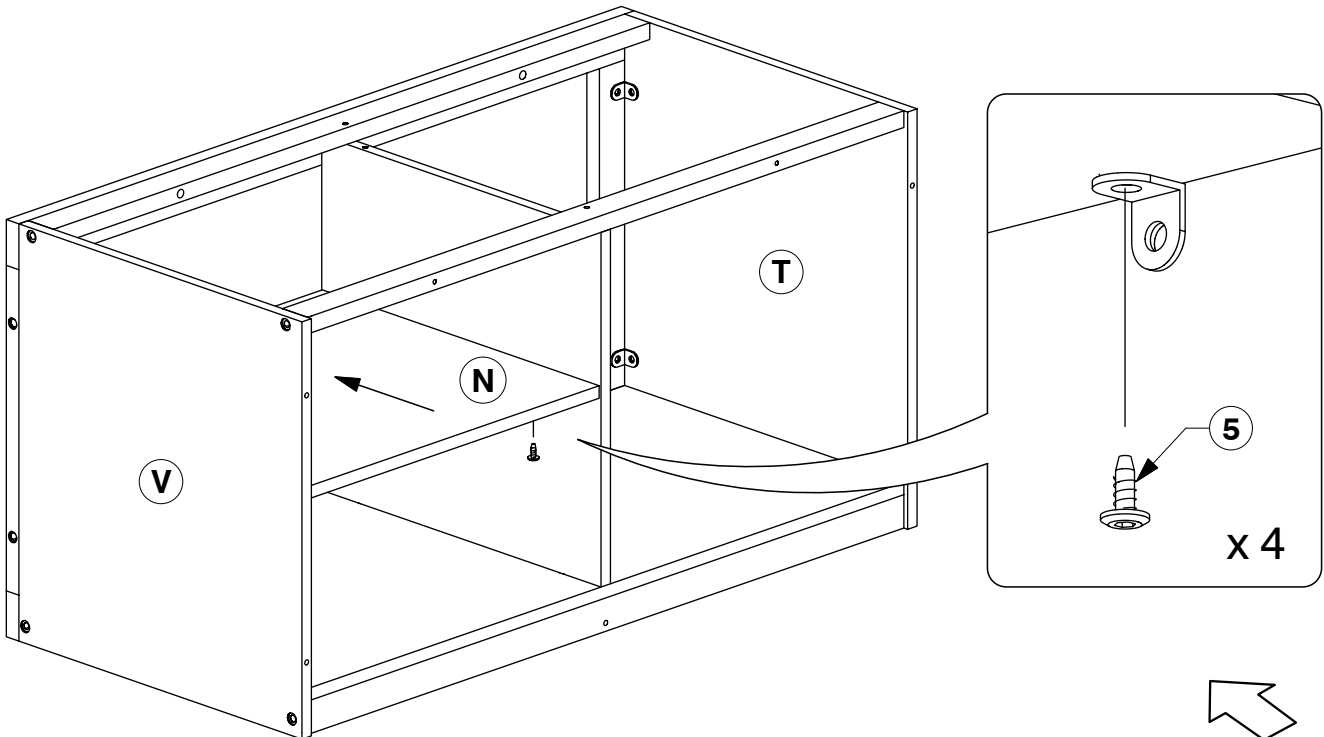


0042 Twin Captain's Bed

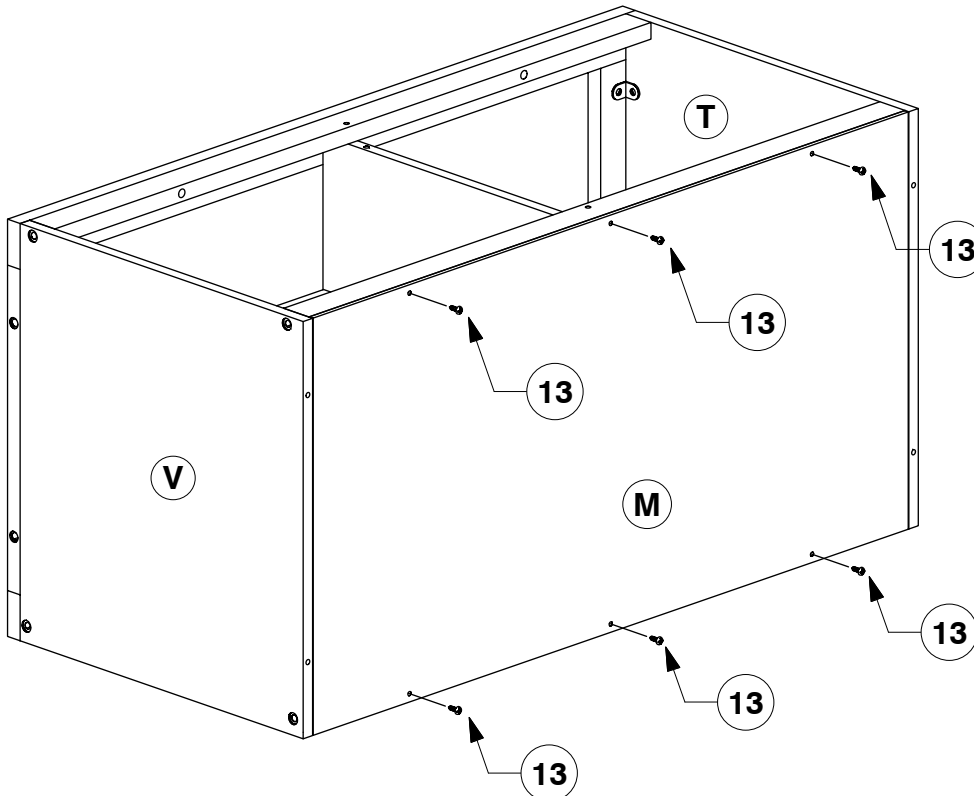
Assembly Instructions

WII-0120

- 8** Slide in the Lower Storage- Shelf (N) inside the frame. Tighten the Lower Storage- Shelf (N) with bolts.



- 9** Fit the Lower Storage- Back Panel (M).

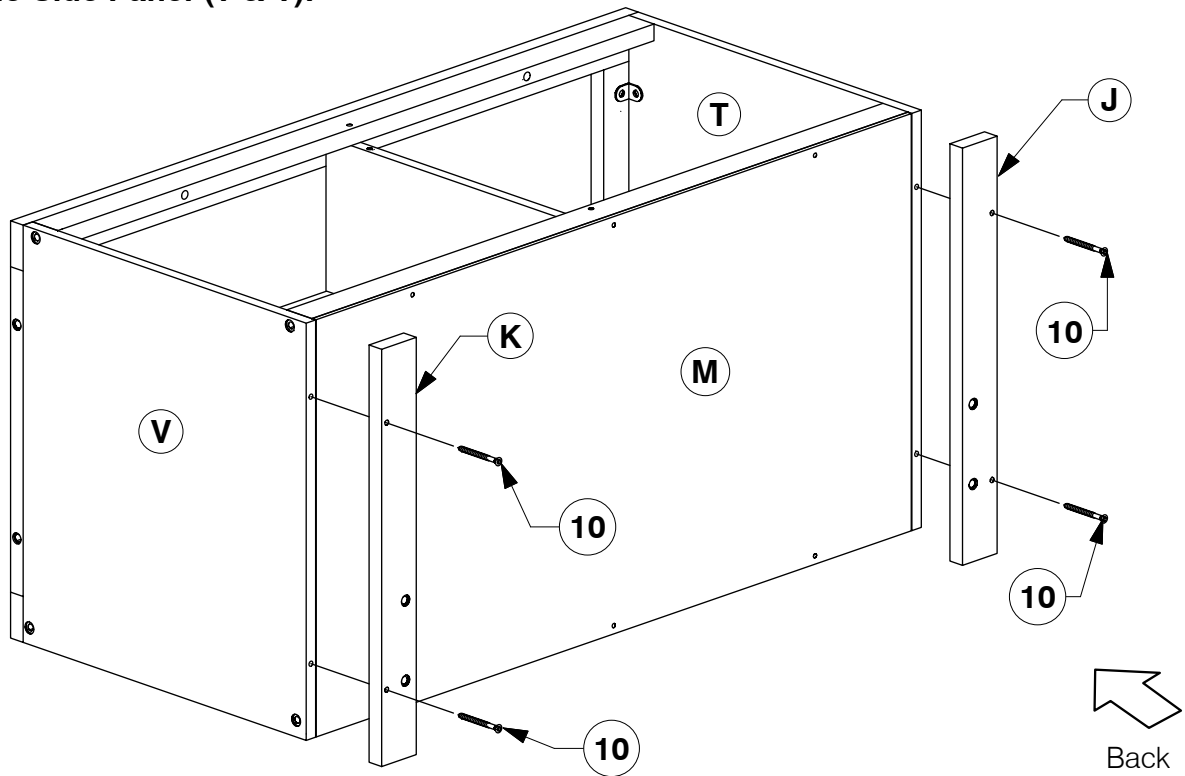


0042 Twin Captain's Bed

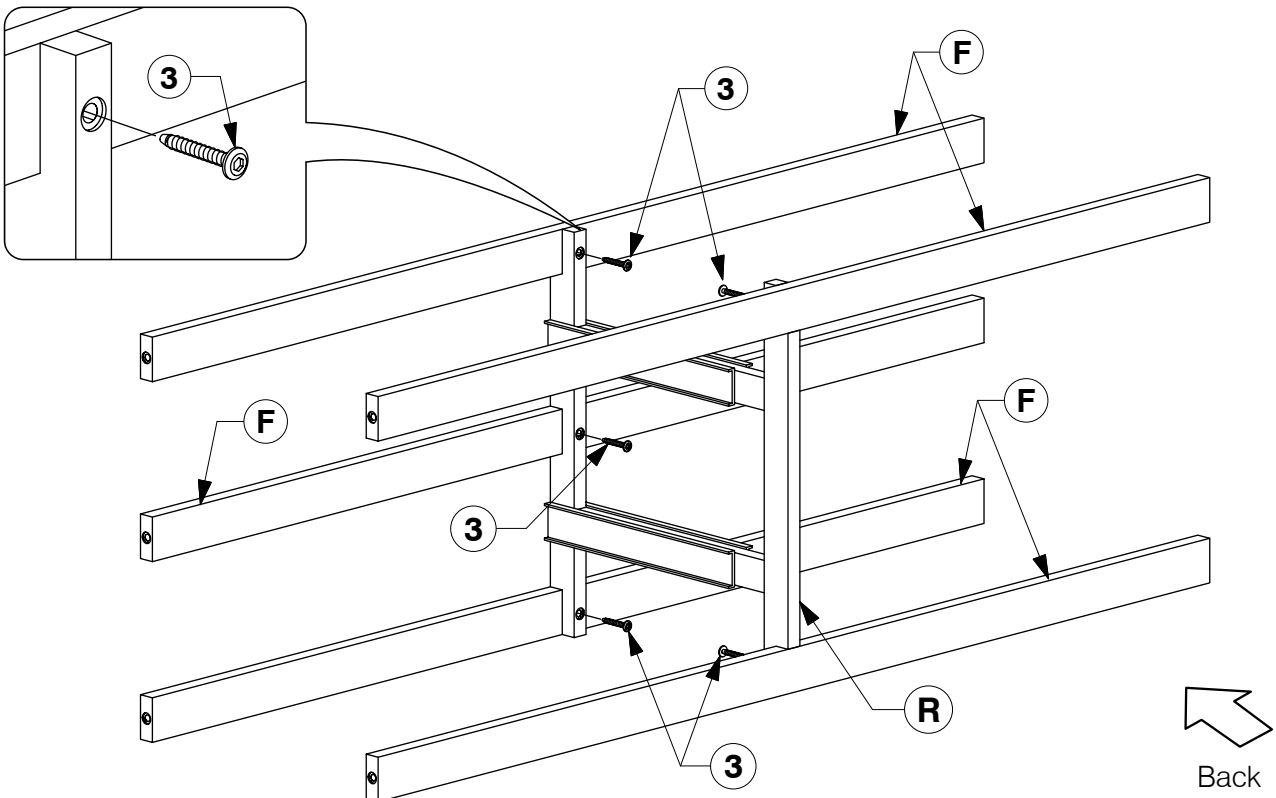
Assembly Instructions

WII-0120

- 10** Attach the Left & Right hand Lower Storage- Support Bar (J & K) to the Side Panel (T & V).



- 11** Assemble the Lower Drawer- Support Bar (F) to the Lower Drawer- Center Panel (R).

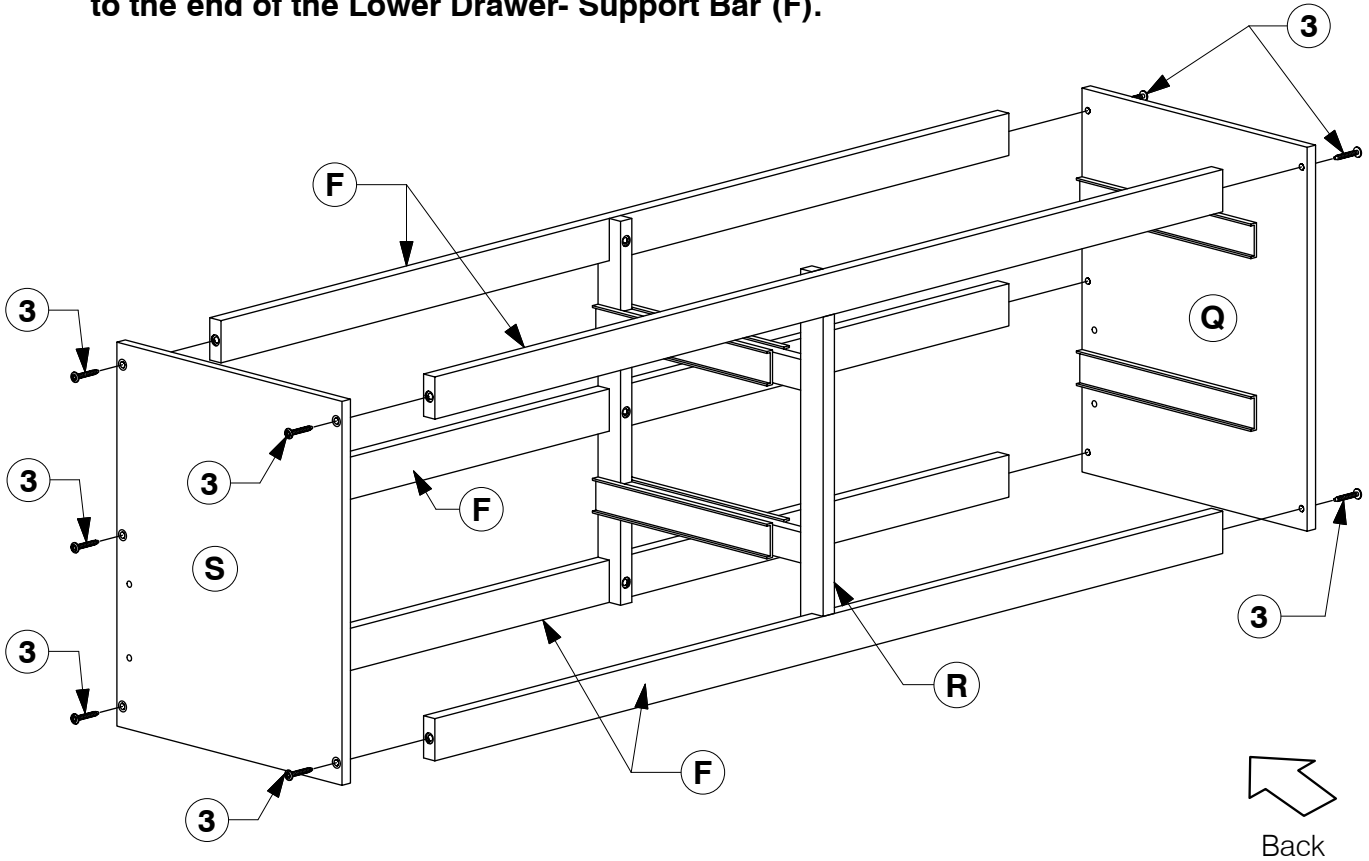


0042 Twin Captain's Bed

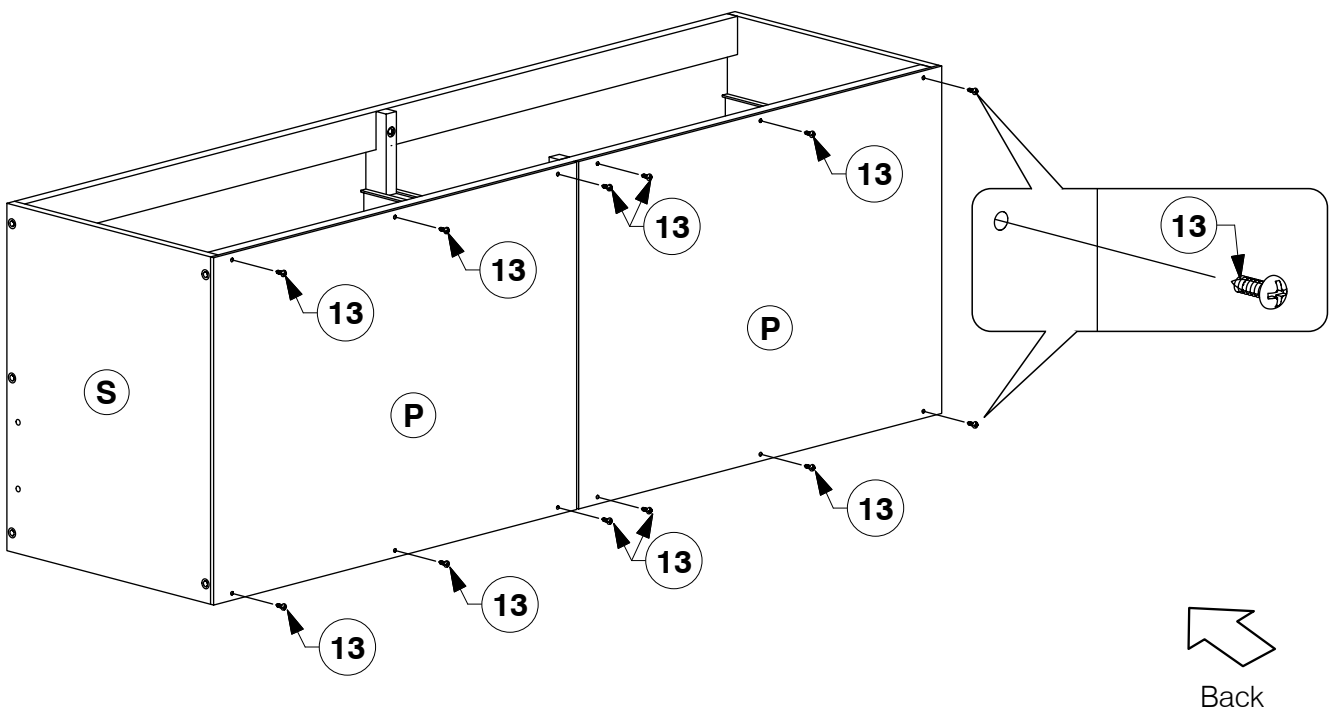
Assembly Instructions

WII-0120

- 12** Assemble the Left & Right hand Lower Drawer- Side Panel (Q & S) to the end of the Lower Drawer- Support Bar (F).



- 13** Fit the Lower Drawer- Back Panel (P) in place.

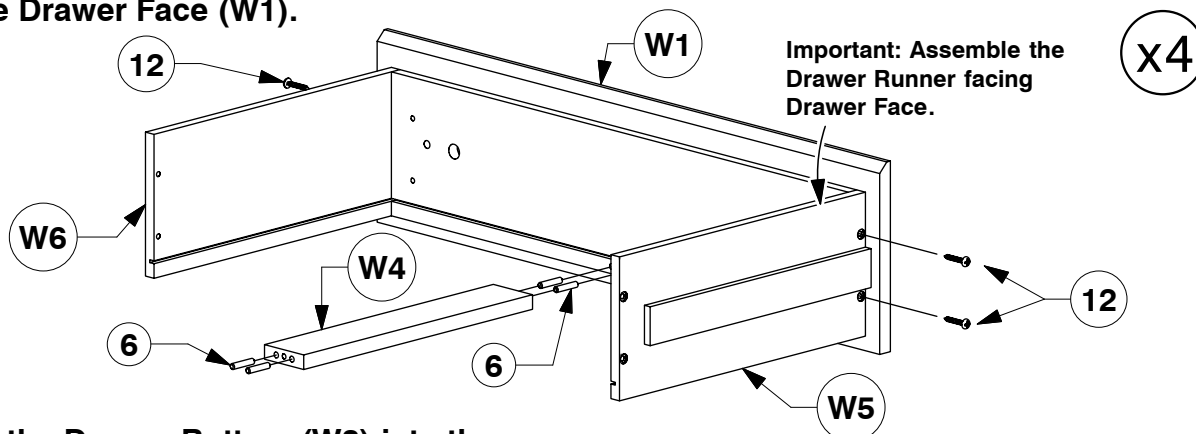


0042 Twin Captain's Bed

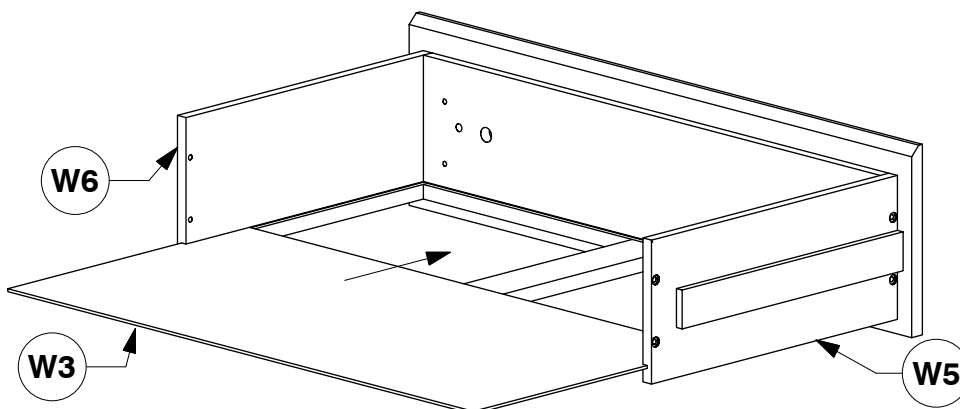
Assembly Instructions

W11-0120

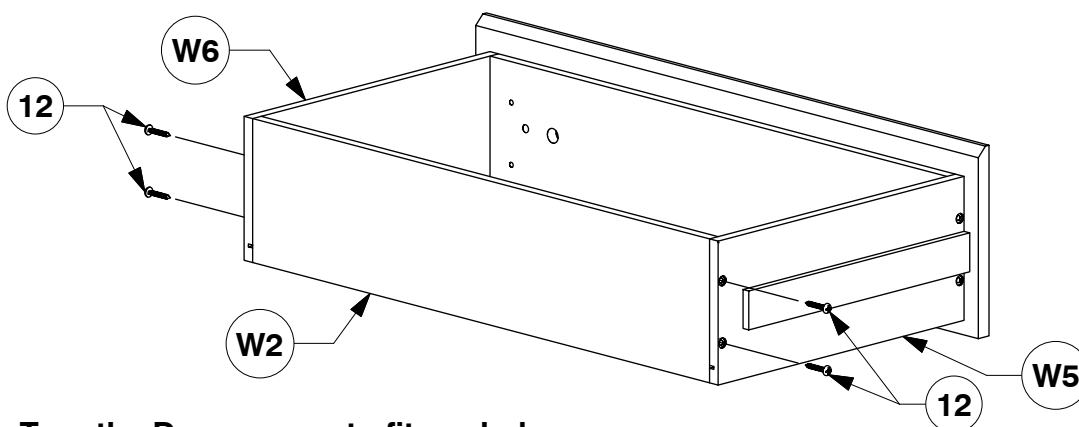
- 14** Assemble the Left and Right hand Drawer Sides (W5 & W6) and Drawer Rail (W4) to the Drawer Face (W1).



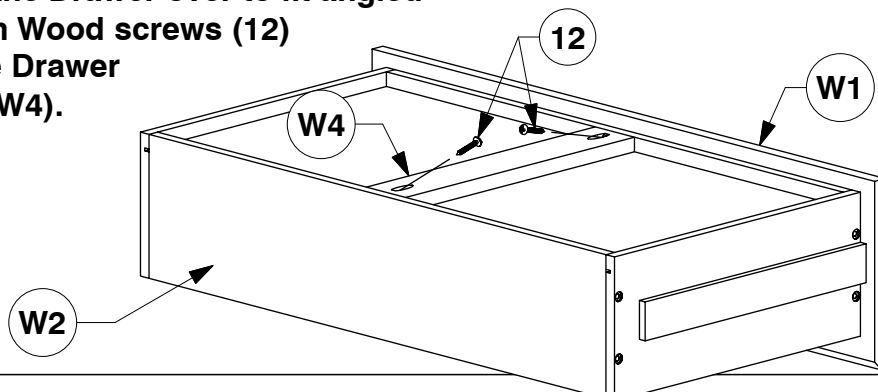
- 15** Slide the Drawer Bottom (W3) into the groove on the Drawer Sides (W5 & W6).



- 16** Assemble the Drawer Back (W2) to the Drawer Sides (W5 & W6).



- 17** Turn the Drawer over to fit angled 25mm Wood screws (12) to the Drawer Rail (W4).



0042 Twin Captain's Bed

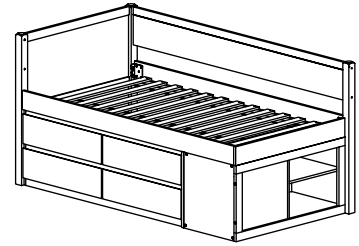
Assembly Instructions

W11-0120

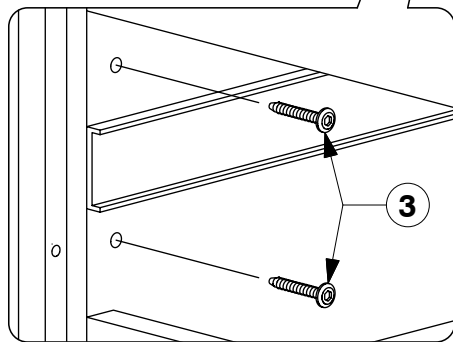
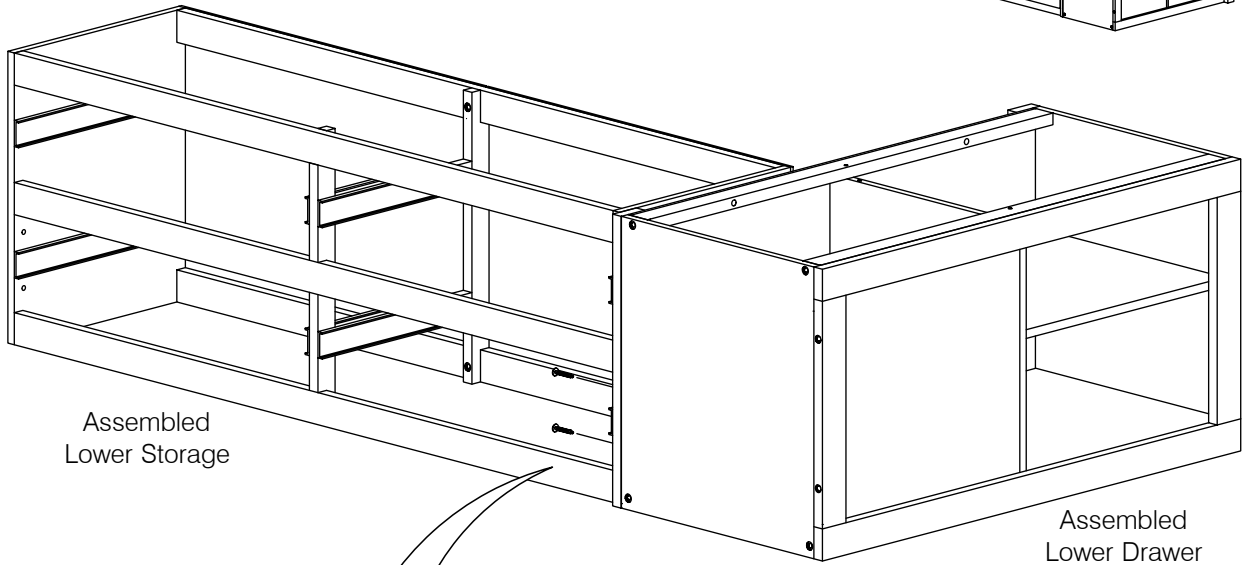
18 Storage can be assembled on the left or on the right.

Assemble the assembled Lower Storage and assembled Lower Drawer together.

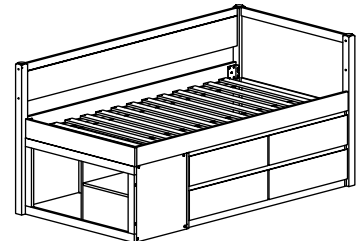
On the Left



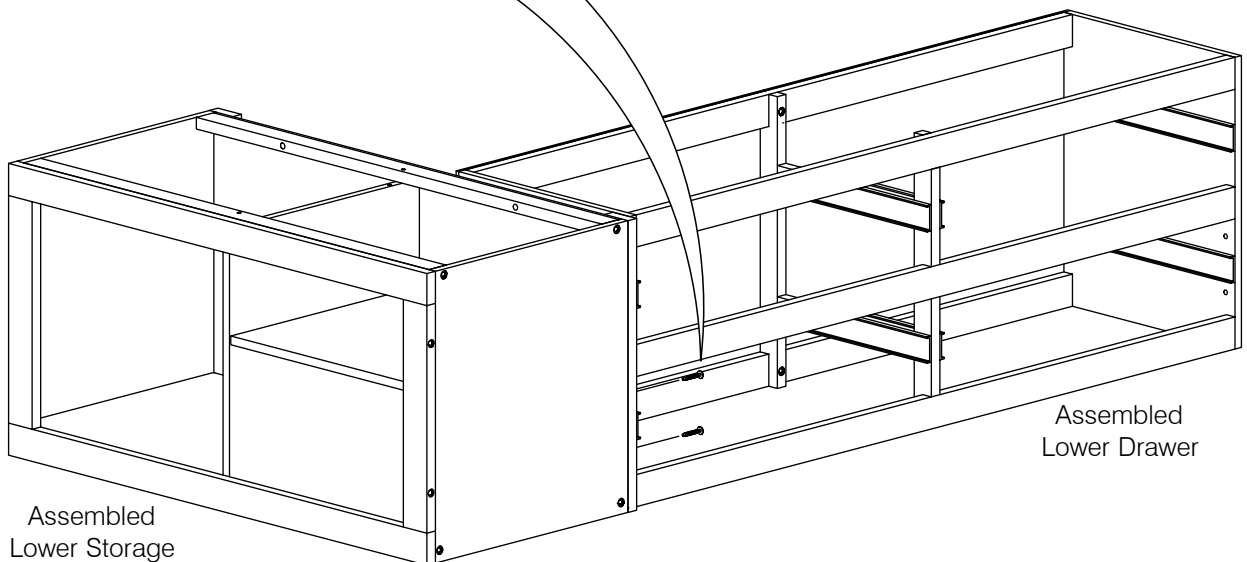
Left



On the Right



Right

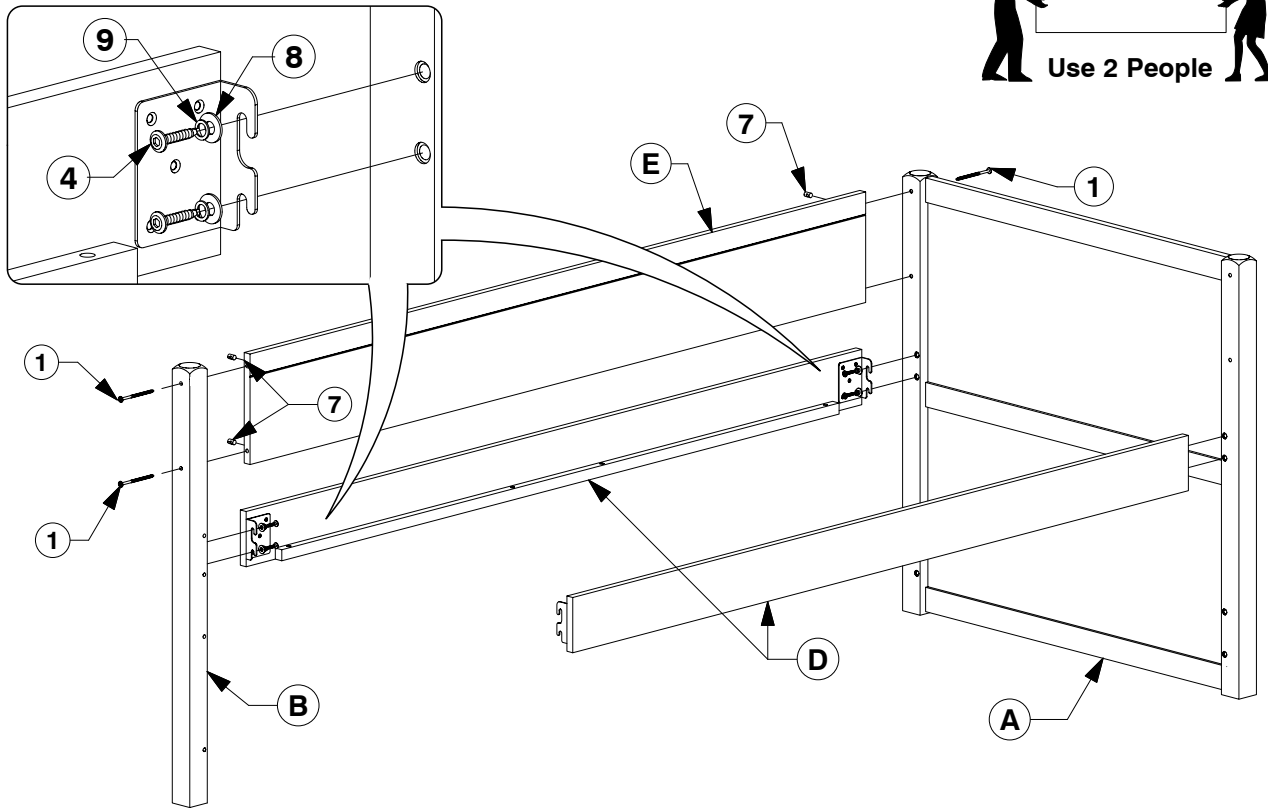
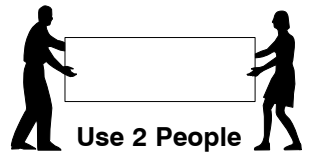


0042 Twin Captain's Bed

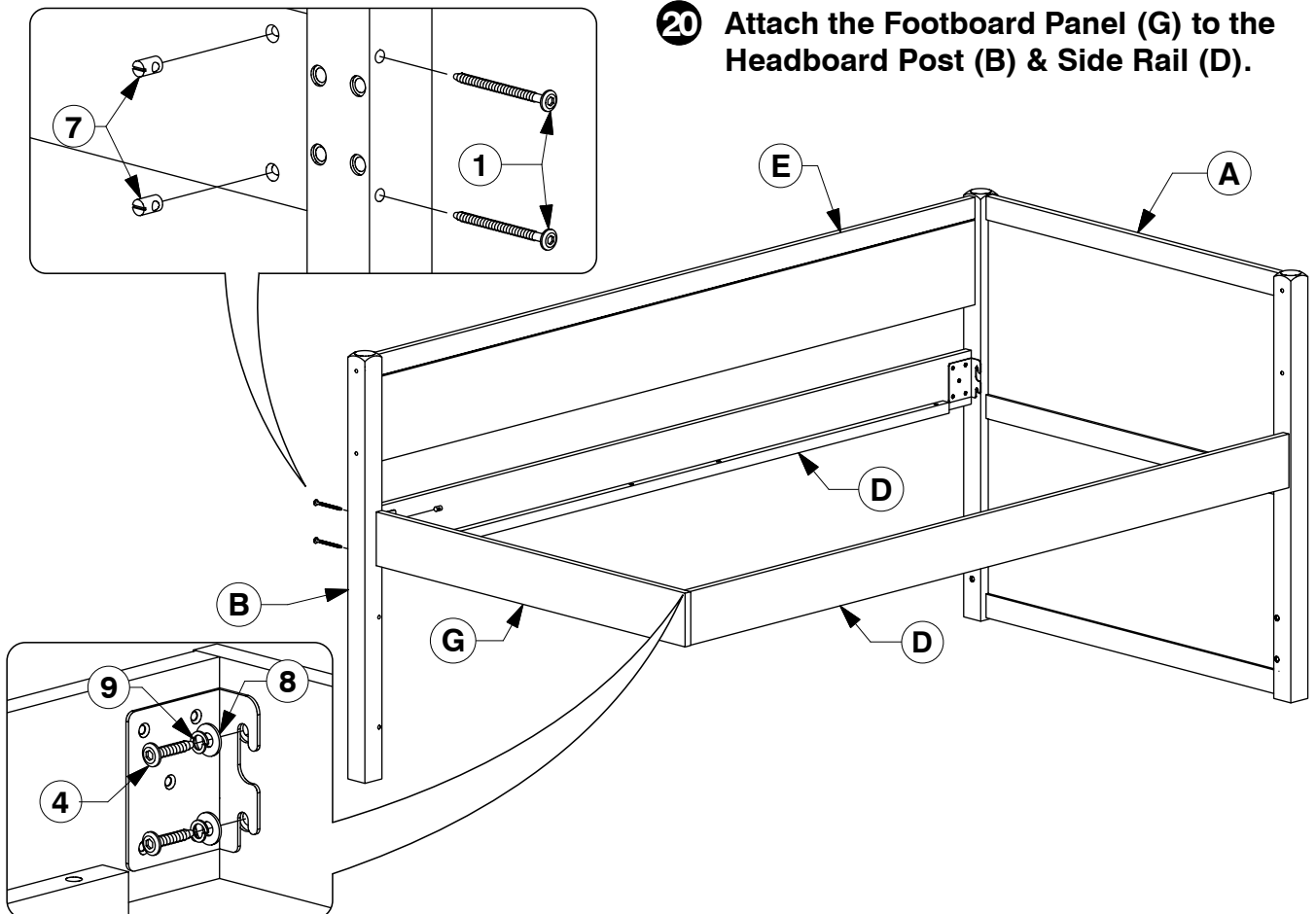
Assembly Instructions

WII-0120

- 19** Assemble the Side Rail (D) & Back Panel (E) to the Headboard Panel (A) & Headboard Post (B).



- 20** Attach the Footboard Panel (G) to the Headboard Post (B) & Side Rail (D).

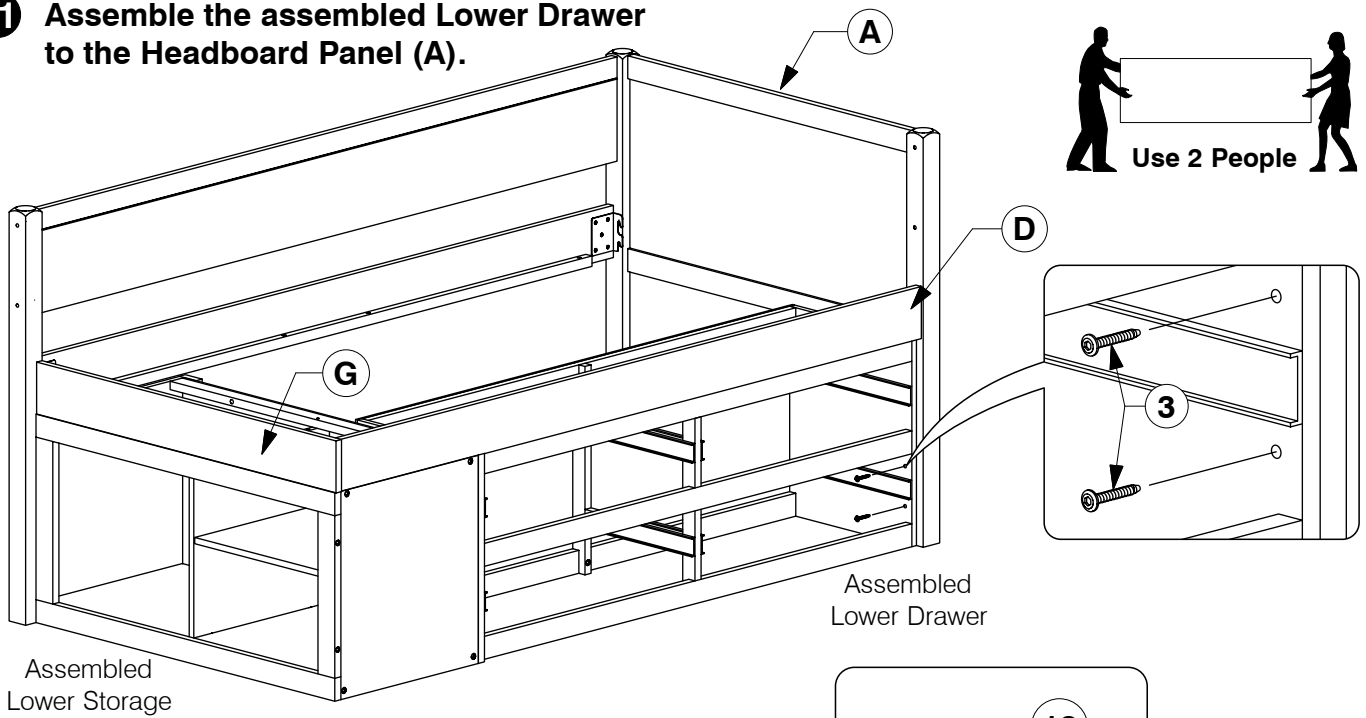


0042 Twin Captain's Bed

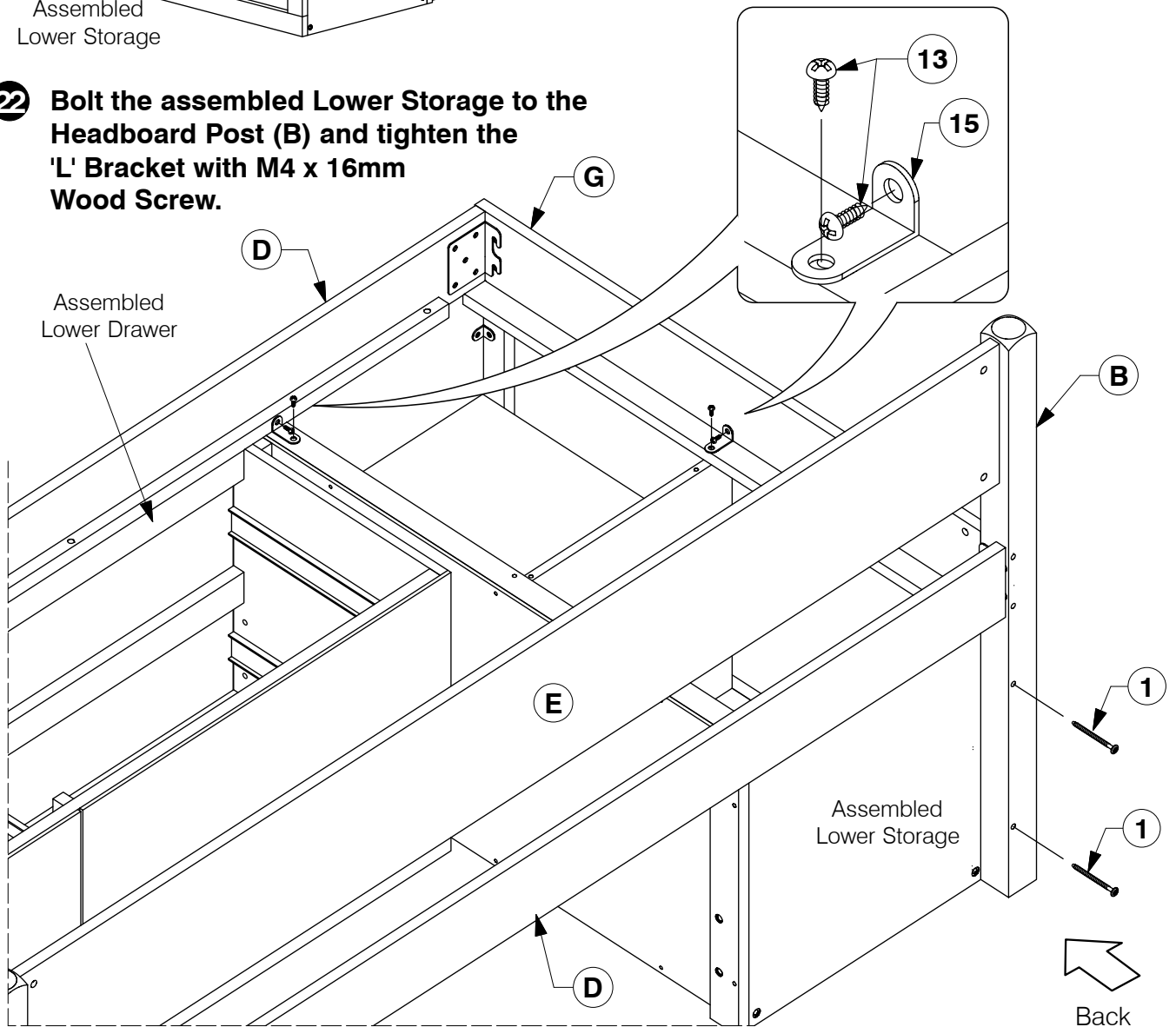
Assembly Instructions

WII-0120

- 21** Assemble the assembled Lower Drawer to the Headboard Panel (A).



- 22** Bolt the assembled Lower Storage to the Headboard Post (B) and tighten the 'L' Bracket with M4 x 16mm Wood Screw.



0042 Twin Captain's Bed

Assembly Instructions

WII-0120

- 23** Screw & bolt the Bed Slats (C) between the Side Rail (D). Finally, fit the assembled Drawers.

