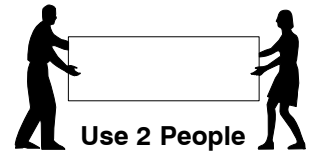
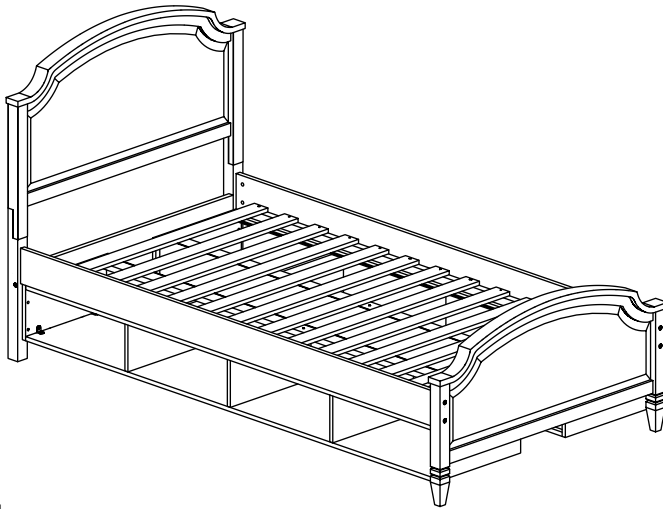


0038 Twin Bed

Assembly Instructions

WII-0120

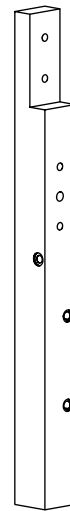
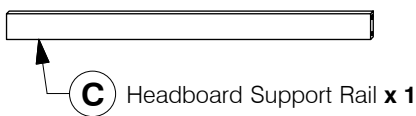
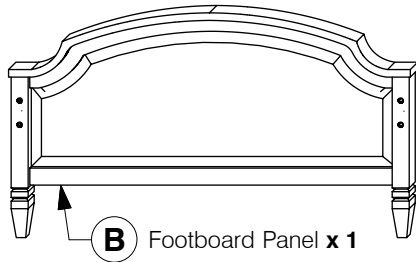
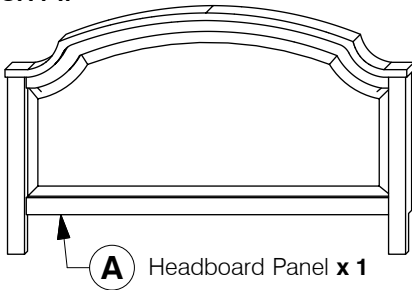
1 Assembled View



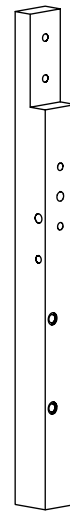
Note: Do not assemble using power tools. This can cause the bolts to be overtightened

2 Parts List

Parts in Box A:

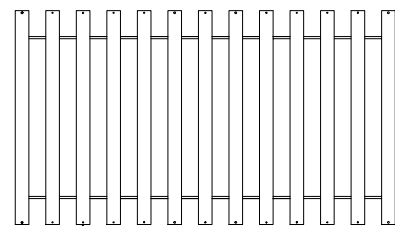


D Headboard Post (Left Hand) x 1



E Headboard Post (Right Hand) x 1

Parts in Box B:



G Set of Bed Slats x 1

0038 Twin Bed

Assembly Instructions

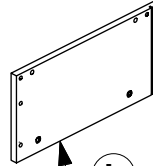
WII-0120

2 Parts List

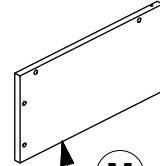
Parts in Box C:



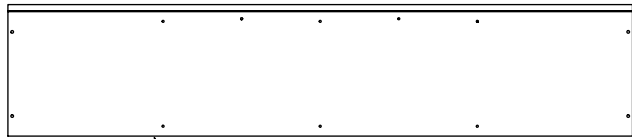
H Storage Back Panel x 2



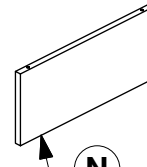
L
Storage Side Panel
(Left Hand)
x 2



M
Storage Side Panel
(Right Hand)
x 2



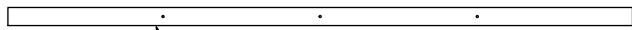
J Storage Bottom Panel x 2



N
Storage Divider
x 6



O
Storage Foot
x 4



K Storage Support Rail x 4

3 Hardware List



1 M4 Allen Key
x 1



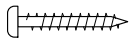
2 'L' Bracket
x 8



3 Barrel
Nut x 10



4 Wood Screw
(M4 x 16mm)
x 12



5 Wood Screw
(M4 x 32mm)
x 12



6 Wood Dowel
(M8 x 30mm)
x 8



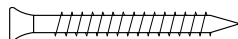
7 Wood Dowel
(M10 x 40mm)
x 6



8 Spring
Washer
x 4



9 Flat Washer
x 4



10 CSK Cap Wood Screw
(M6 x 50mm) x 24



11 M6 x 15mm
JCB x 16



12 M6 x 30mm
JCB x 8



13 M6 x 40mm JCB
x 22



14 M6 x 60mm JCB
x 8



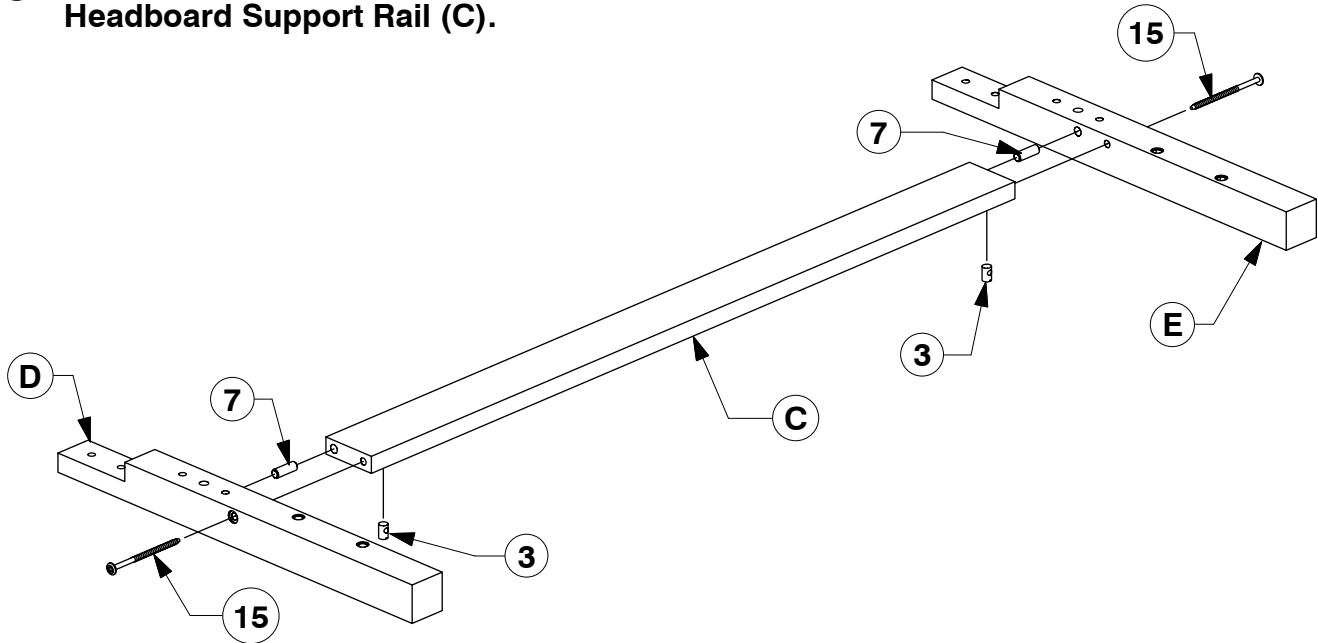
15 M6 x 90mm JCB
x 10

0038 Twin Bed

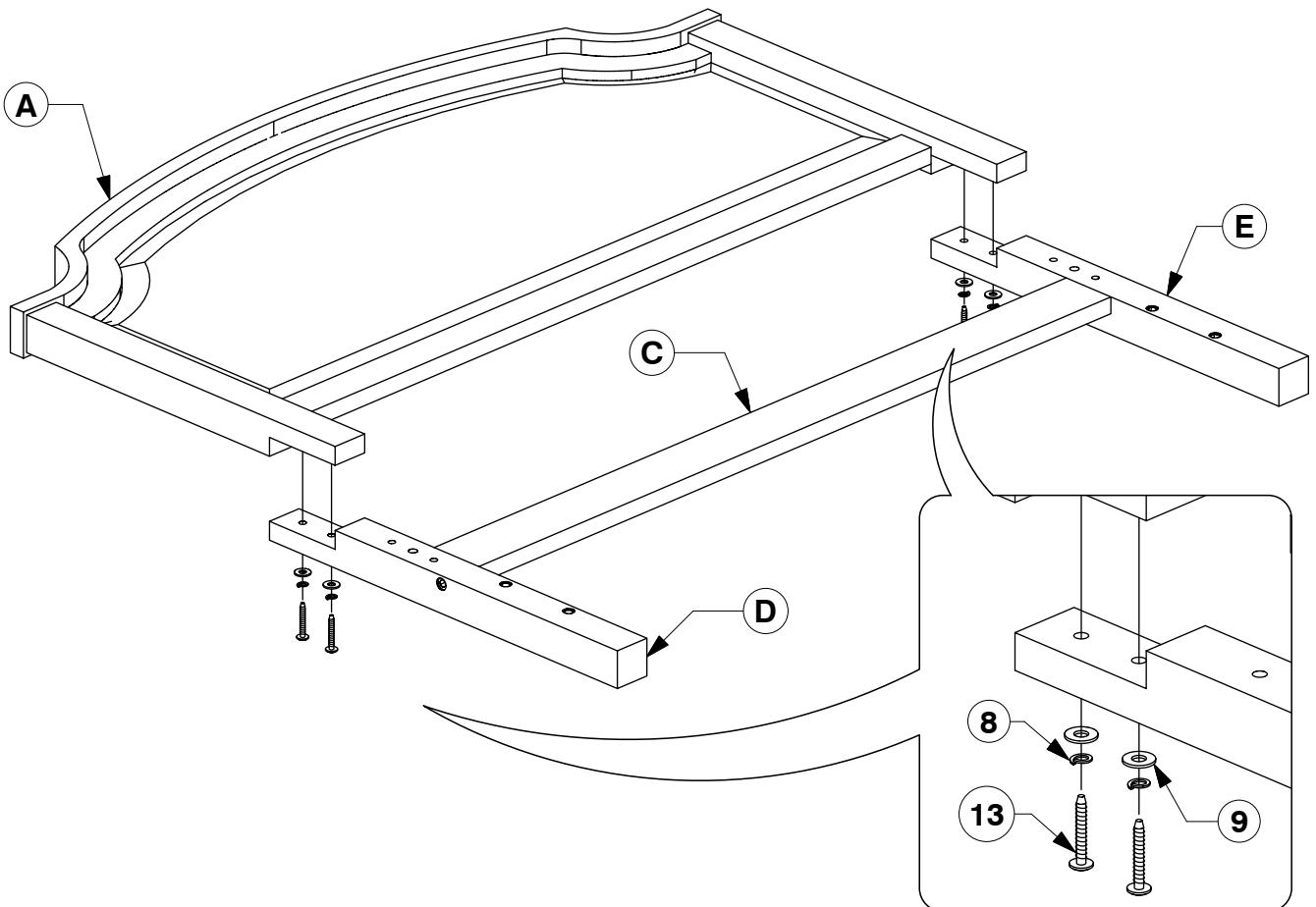
Assembly Instructions

WII-0120

- 4** Fit the Lower Headboard Post (D & E) to the Headboard Support Rail (C).



- 5** Fit the Headboard Panel (A) to the Headboard Post (D & E).

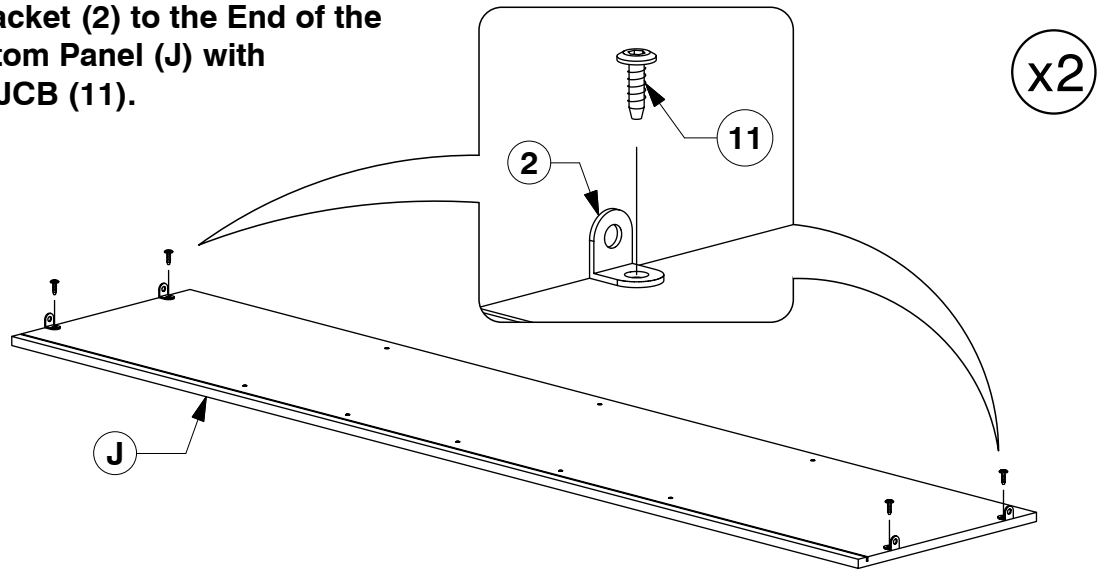


0038 Twin Bed

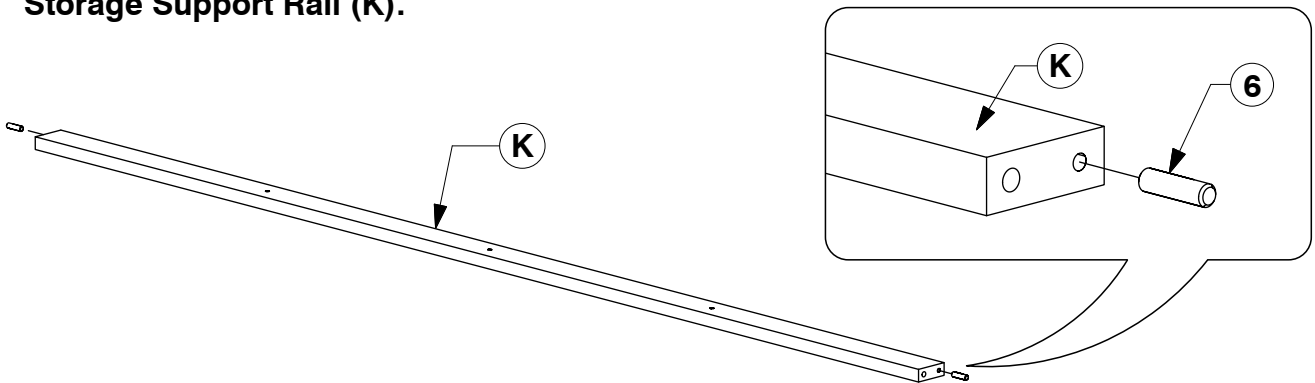
Assembly Instructions

WII-0120

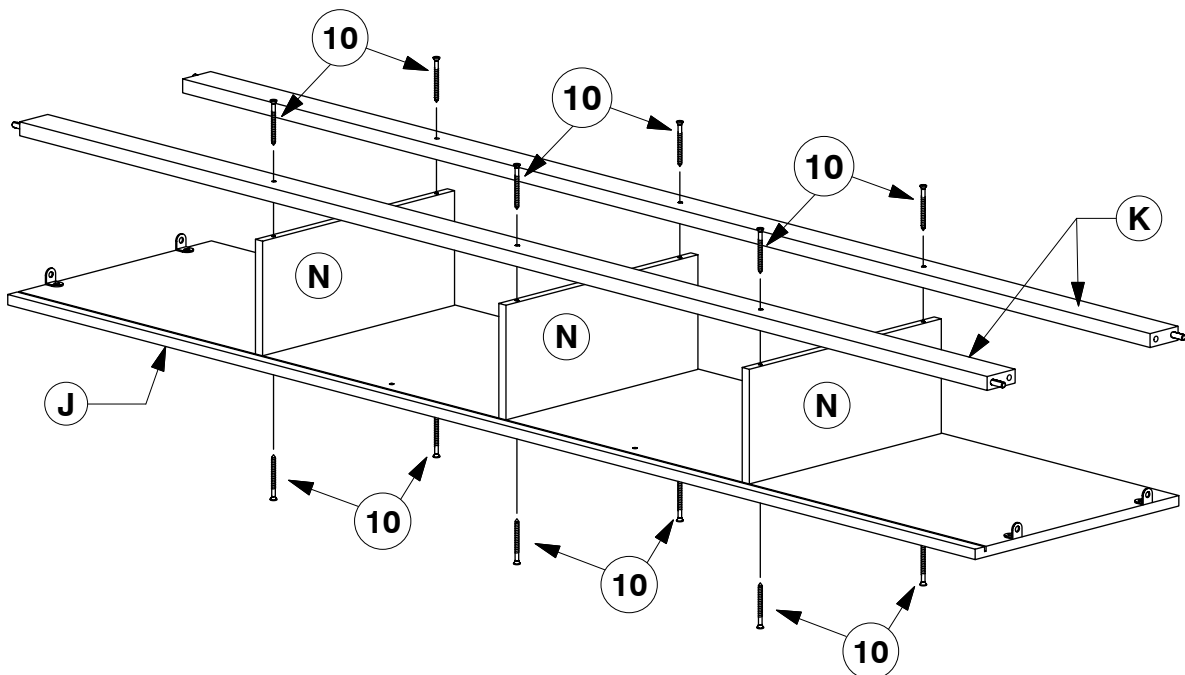
- 6** Fit the 'L' Bracket (2) to the End of the Storage Bottom Panel (J) with M6 x 15mm JCB (11).



- 7** Tap the Wood Dowel (6) to the end of the Storage Support Rail (K).



- 8** Assemble the Storage Bottom Panel (J) & Support Rail (K) to the Storage Divider (N).



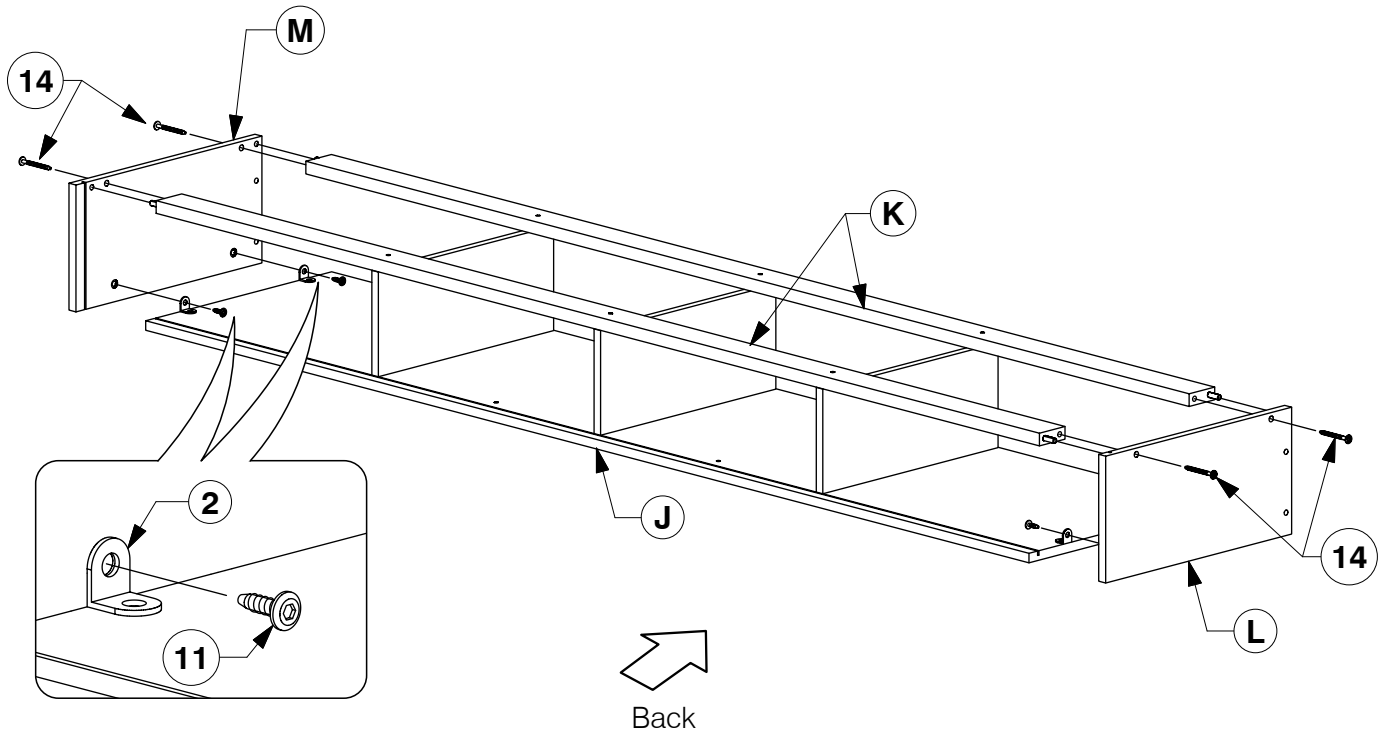
0038 Twin Bed

Assembly Instructions

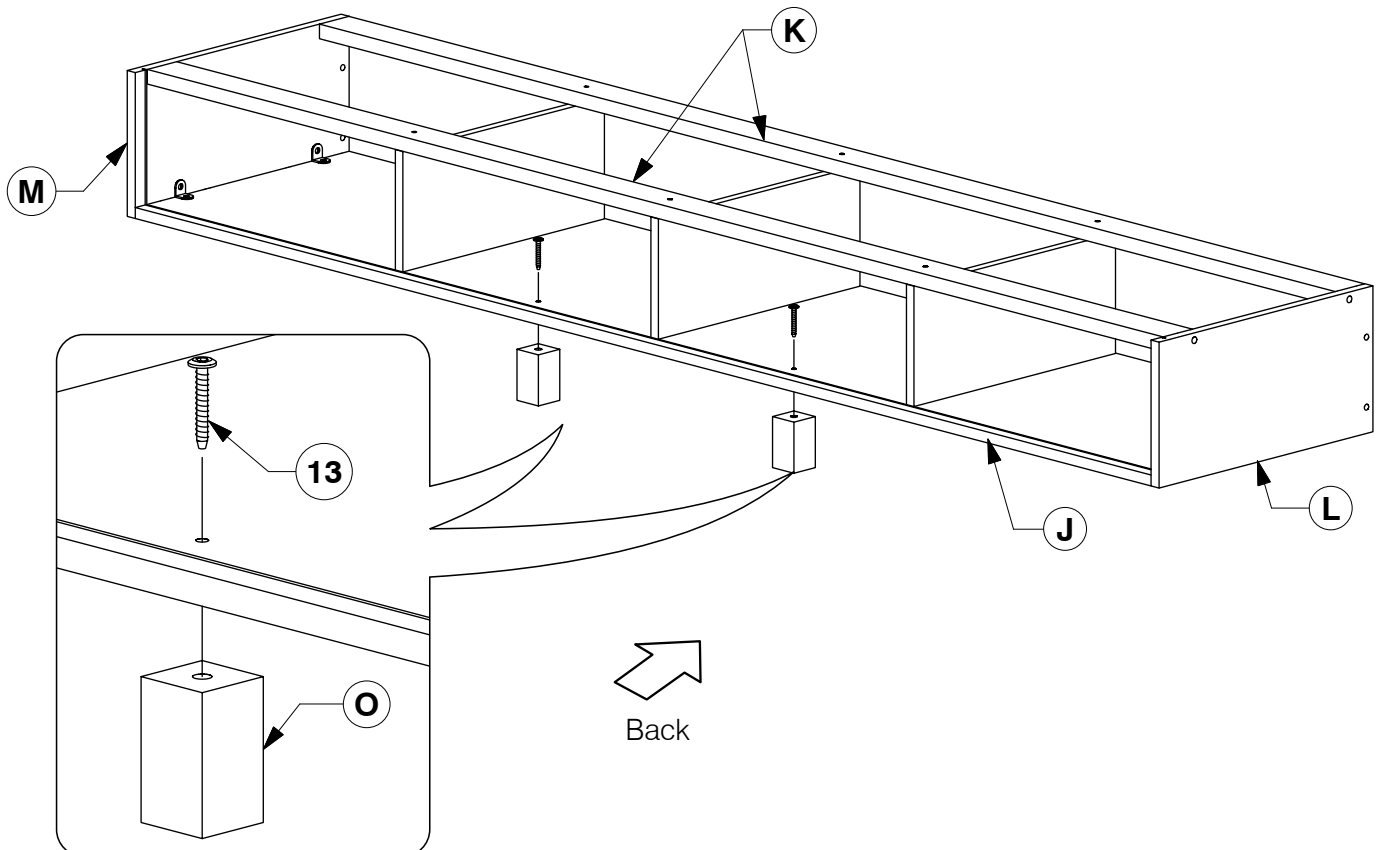
W11-0120

- 9** Assemble the Storage Side Panel (L & M) to the Storage Bottom Panel & Support Rail (J & K).

x2



- 10** Fit the Storage Foot (O) to the Storage Bottom Panel (J).

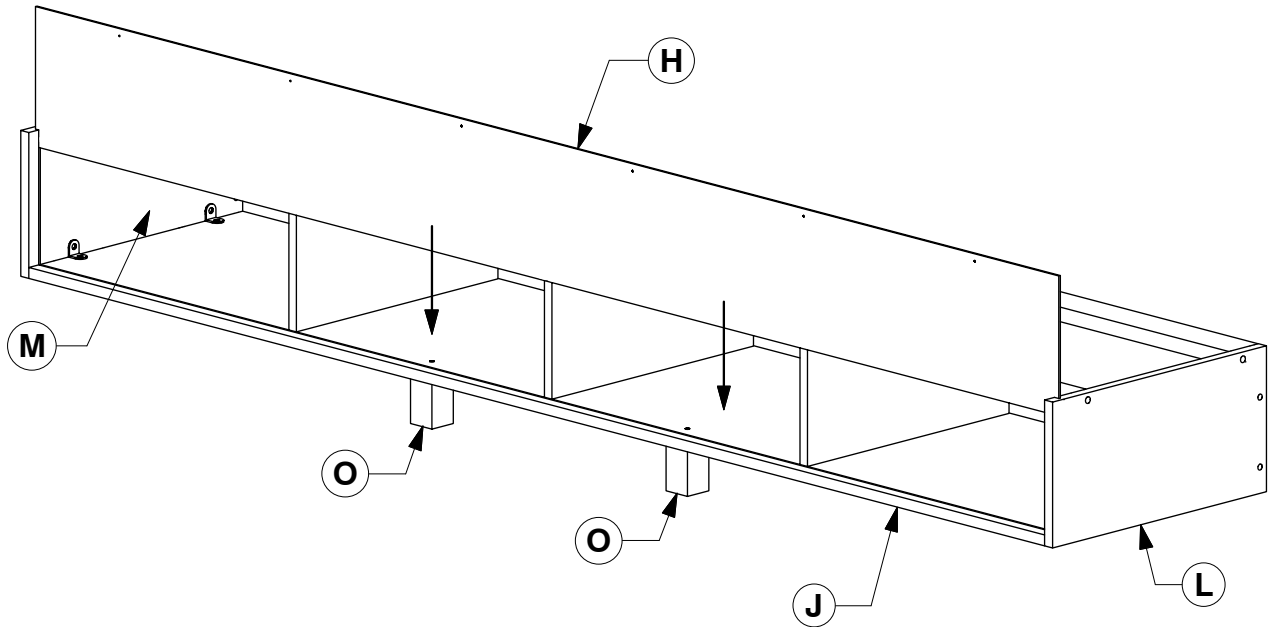


0038 Twin Bed

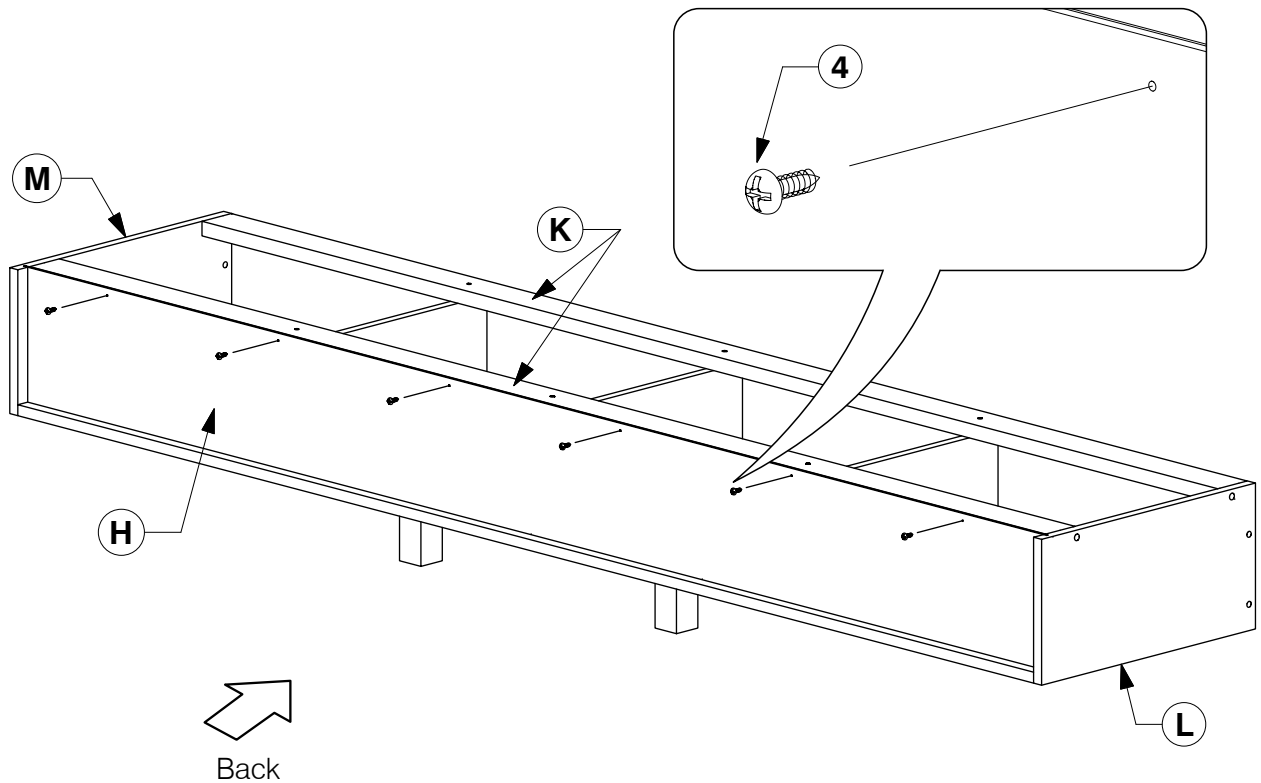
Assembly Instructions

WII-0120

- 11** Slide the Storage Back Panel (H) into the groove.



- 12** Fit the Storage Back Panel (H) in place.

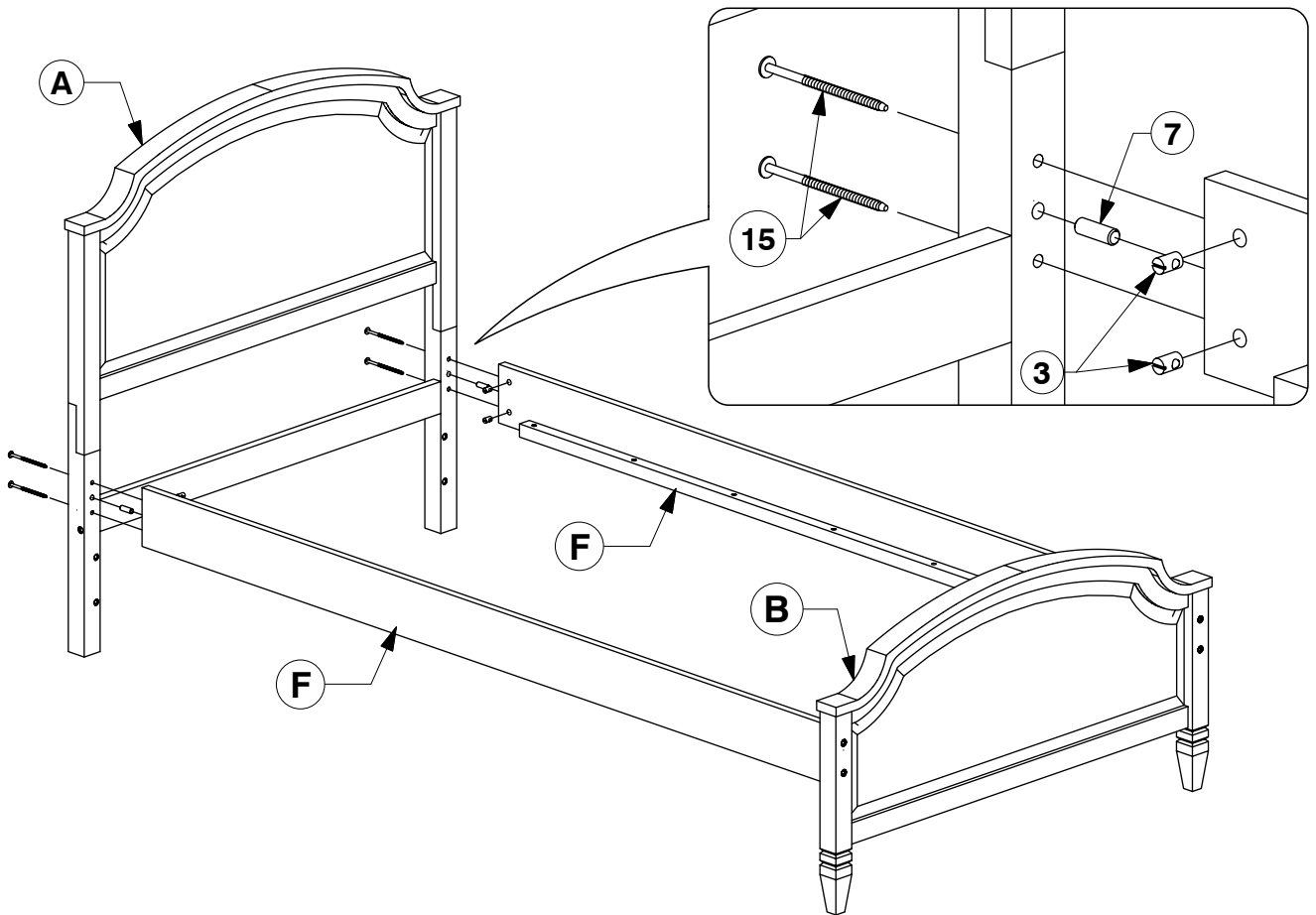


0038 Twin Bed

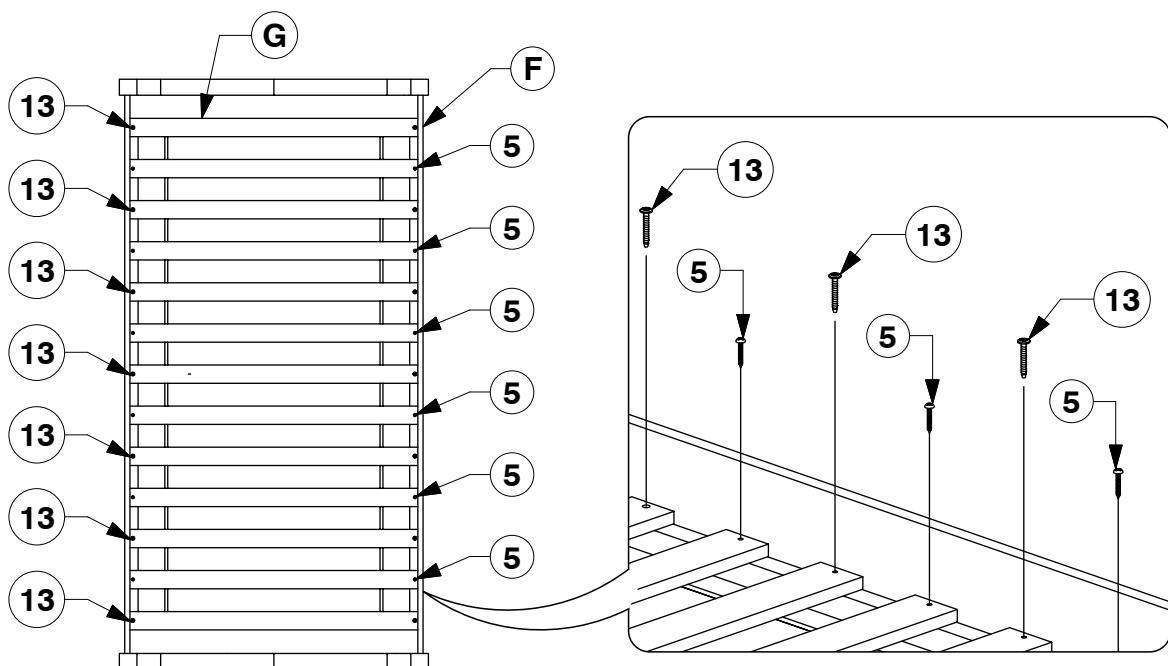
Assembly Instructions

WII-0120

- 13** Assemble the Side Rail (F) to the Headboard / Footboard (A & B).



- 14** Bolt & screw the Bed Slats (G) to the Side Rail (F).

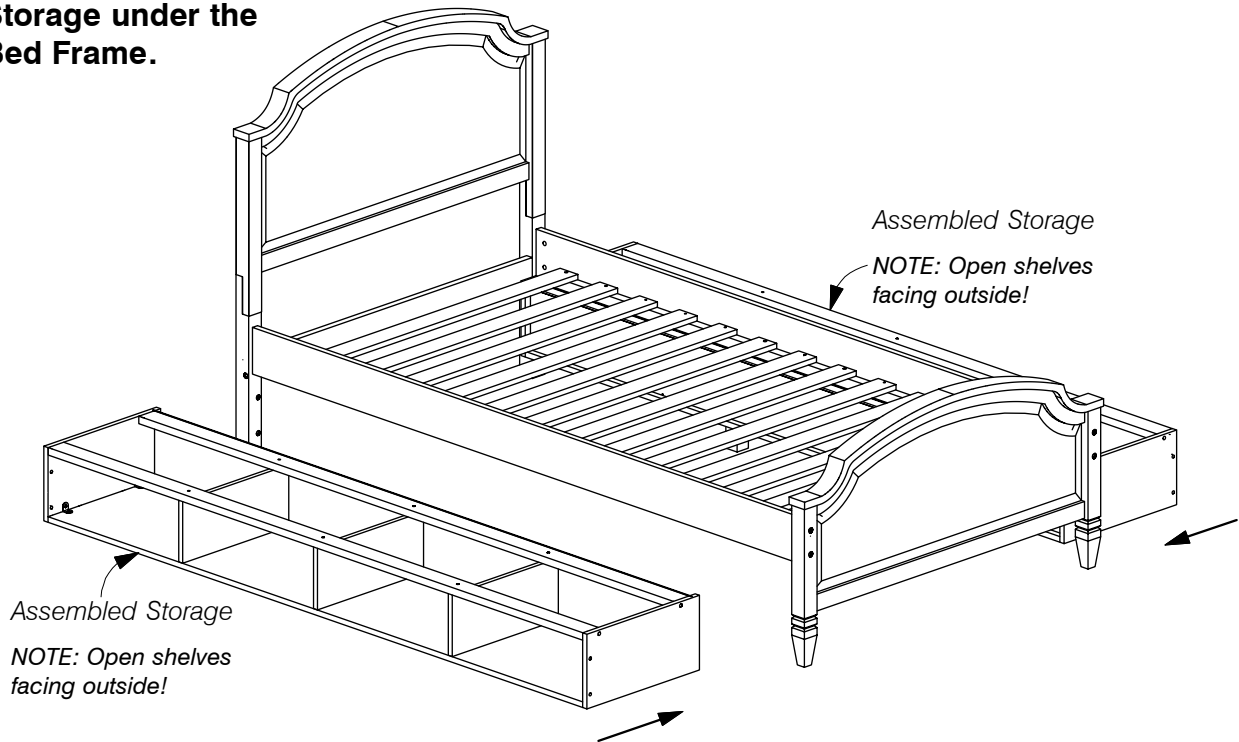


0038 Twin Bed

Assembly Instructions

W11-0120

- 15** Fit the Assembled Storage under the Bed Frame.



- 16** Bolt the Assembled Storage to the Bed Frame with M6 x 30mm JCB (12).

