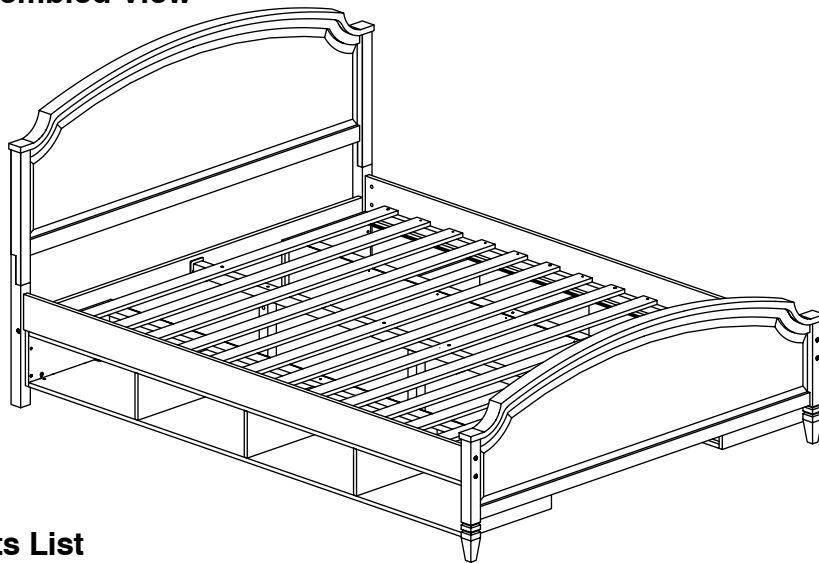


0038 Queen Bed

Assembly Instructions

W11-0120

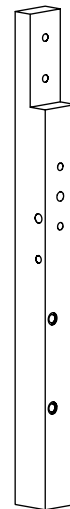
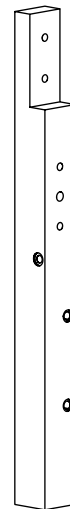
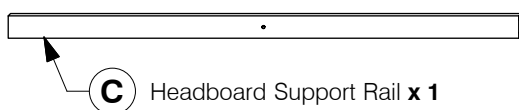
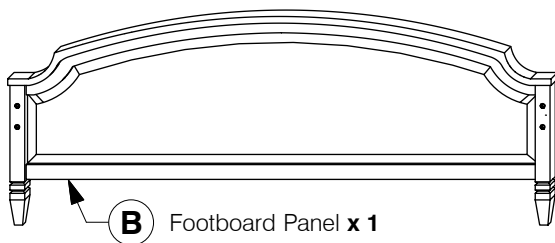
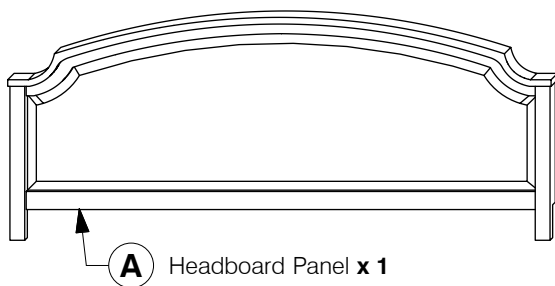
1 Assembled View



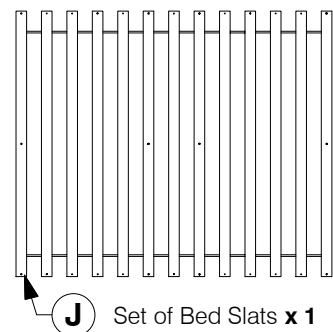
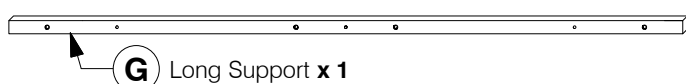
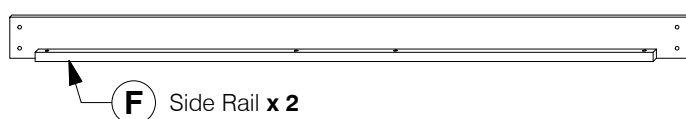
Note: Do not assemble using power tools. This can cause the bolts to be overtightened

2 Parts List

Parts in Box A:



Parts in Box B:



0038 Queen Bed

Assembly Instructions

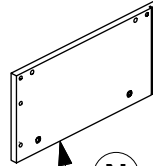
WII-0120

2 Parts List

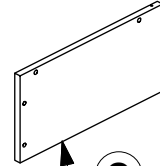
Parts in Box C:



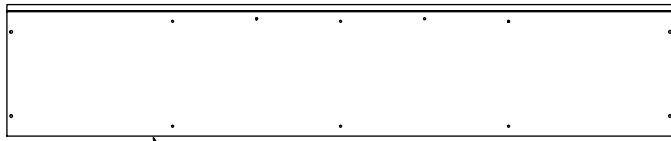
K Storage Back Panel x 2



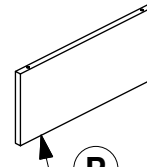
N
Storage Side Panel
(Left Hand)
x 2



O
Storage Side Panel
(Right Hand)
x 2



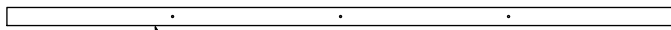
L Storage Bottom Panel x 2



P
Storage Divider
x 6



Q
Storage Foot
x 4

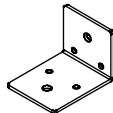


M Storage Support Rail x 4

3 Hardware List



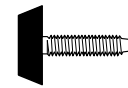
1 M4 Allen Key
x 1



2 Center Rail
Bracket x 2



3 'L' Bracket
x 8



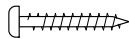
4 Adjustable
Foot x 3



5 Barrel
Nut x 13



6 Wood Screw
(M4 x 16mm)
x 14



7 Wood Screw
(M4 x 32mm)
x 18



8 Wood Dowel
(M8 x 30mm)
x 8



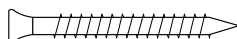
9 Wood Dowel
(M10 x 40mm)
x 6



10 Spring
Washer
x 4



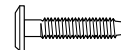
11 Flat
Washer
x 4



12 CSK Cap Wood Screw
(M6 x 50mm)
x 24



13 M6 x 15mm
JCB x 20



14 M6 x 30mm
JCB x 8



15 M6 x 40mm
JCB x 20



16 M6 x 60mm JCB
x 8



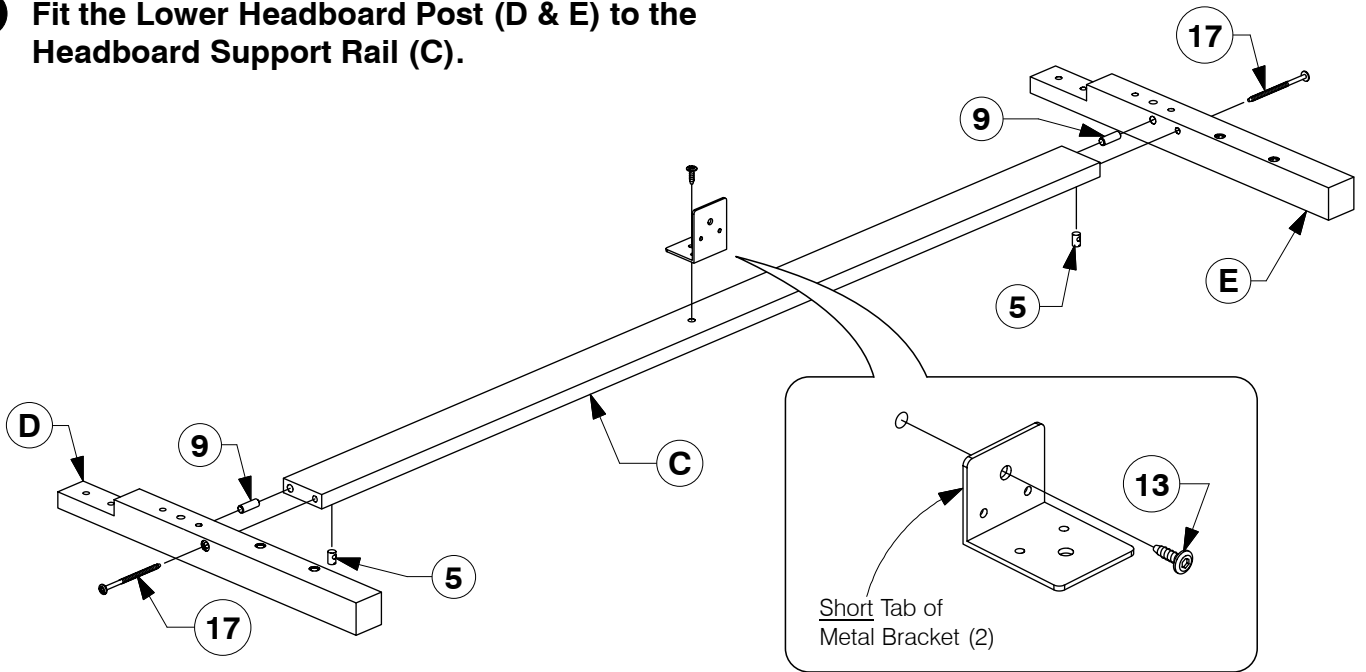
17 M6 x 90mm JCB
x 13

0038 Queen Bed

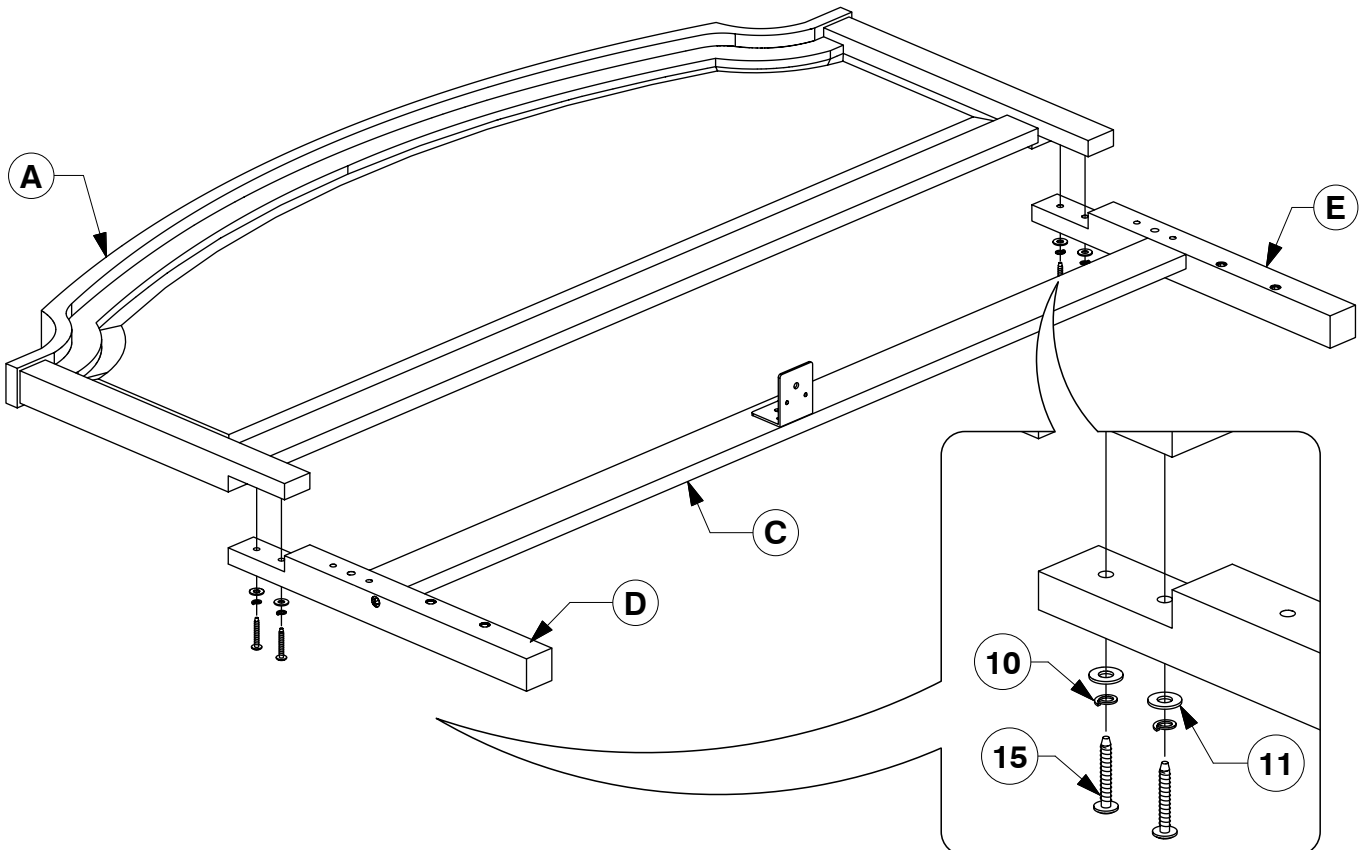
Assembly Instructions

WII-0120

- 4** Fit the Lower Headboard Post (D & E) to the Headboard Support Rail (C).



- 5** Fit the Headboard Panel (A) to the Headboard Post (D & E).

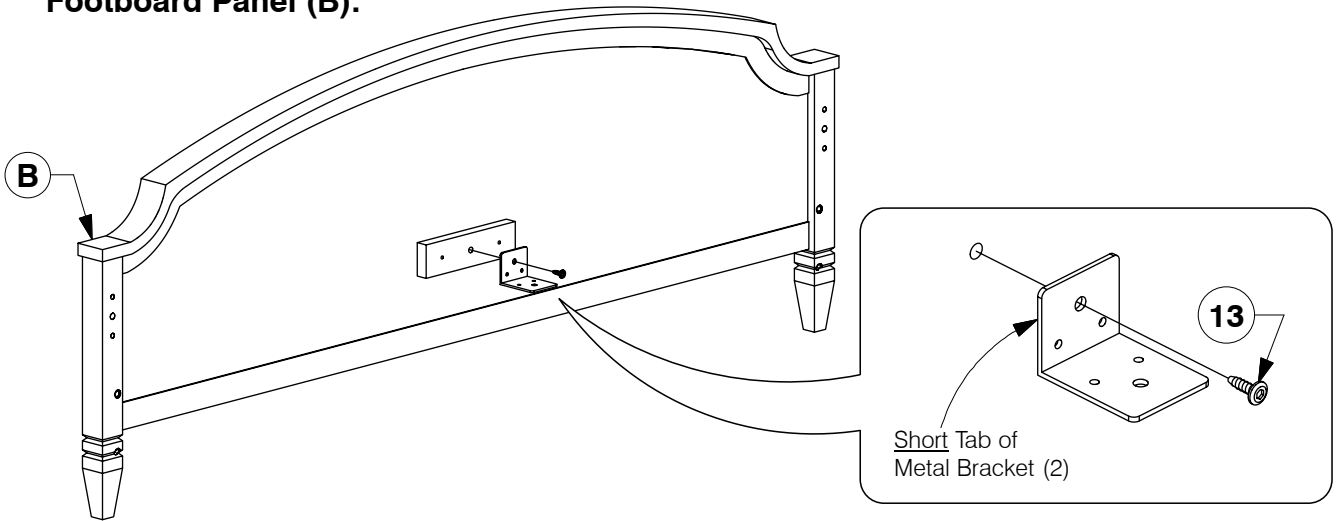


0038 Queen Bed

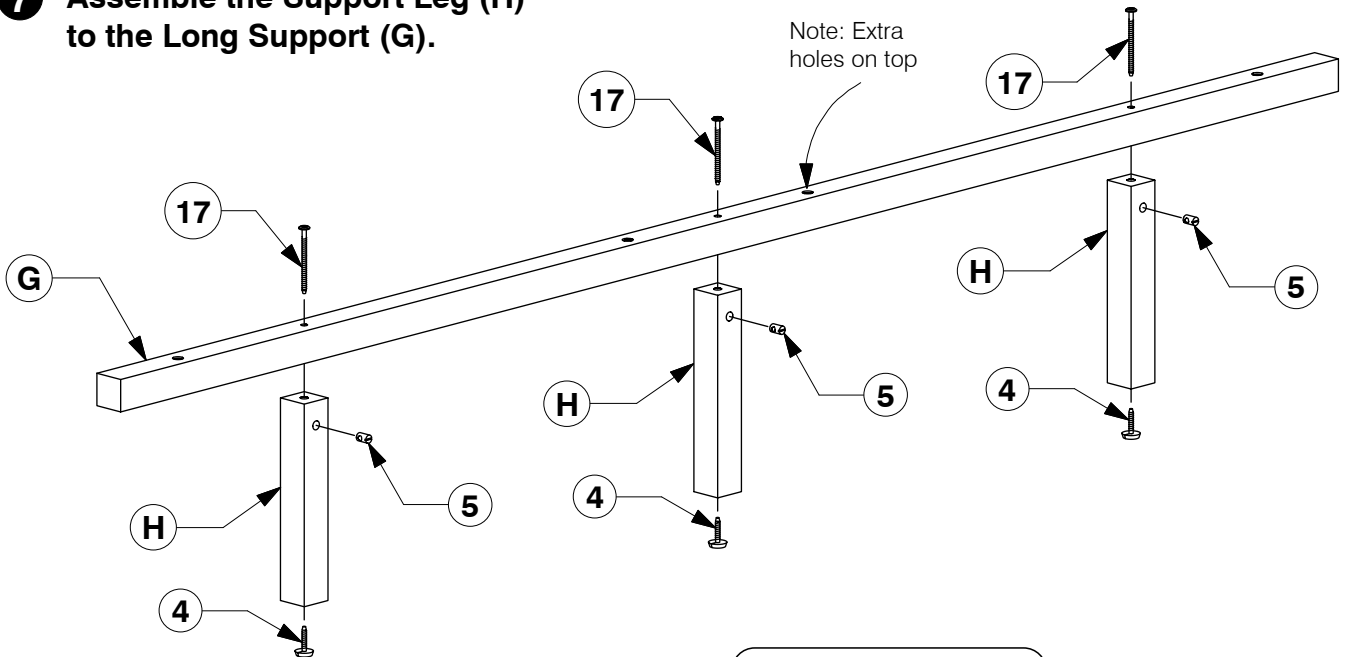
Assembly Instructions

WII-0120

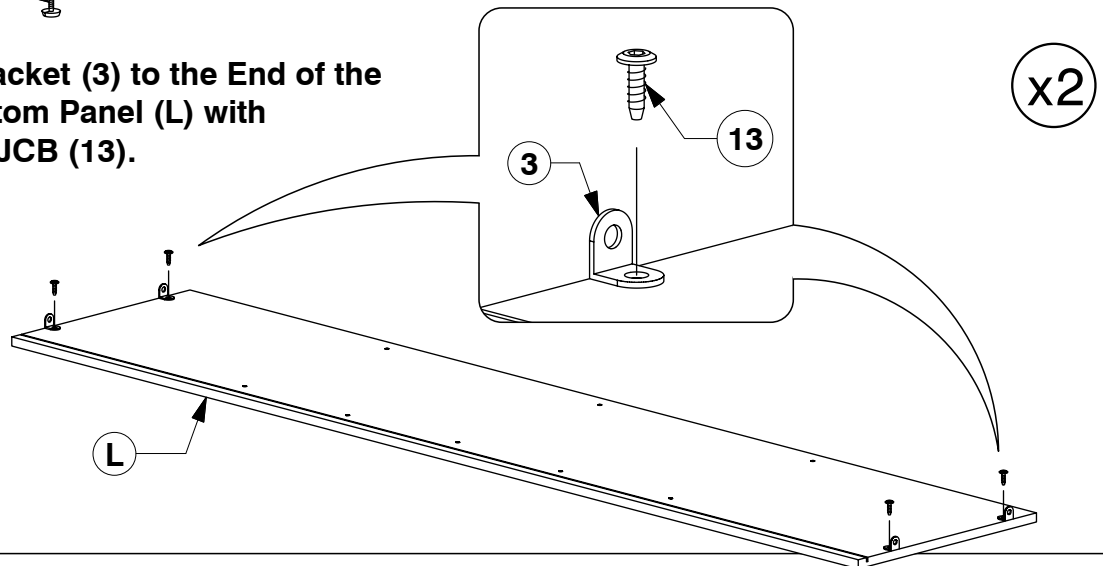
- 6** Fit the Center Rail Bracket to the Footboard Panel (B).



- 7** Assemble the Support Leg (H) to the Long Support (G).



- 8** Fit the 'L' Bracket (3) to the End of the Storage Bottom Panel (L) with M6 x 15mm JCB (13).

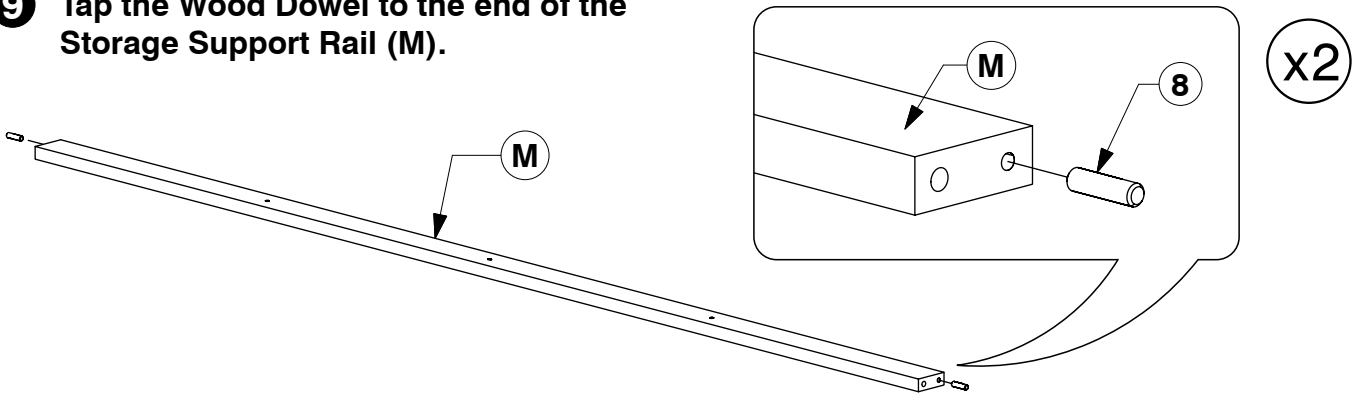


0038 Queen Bed

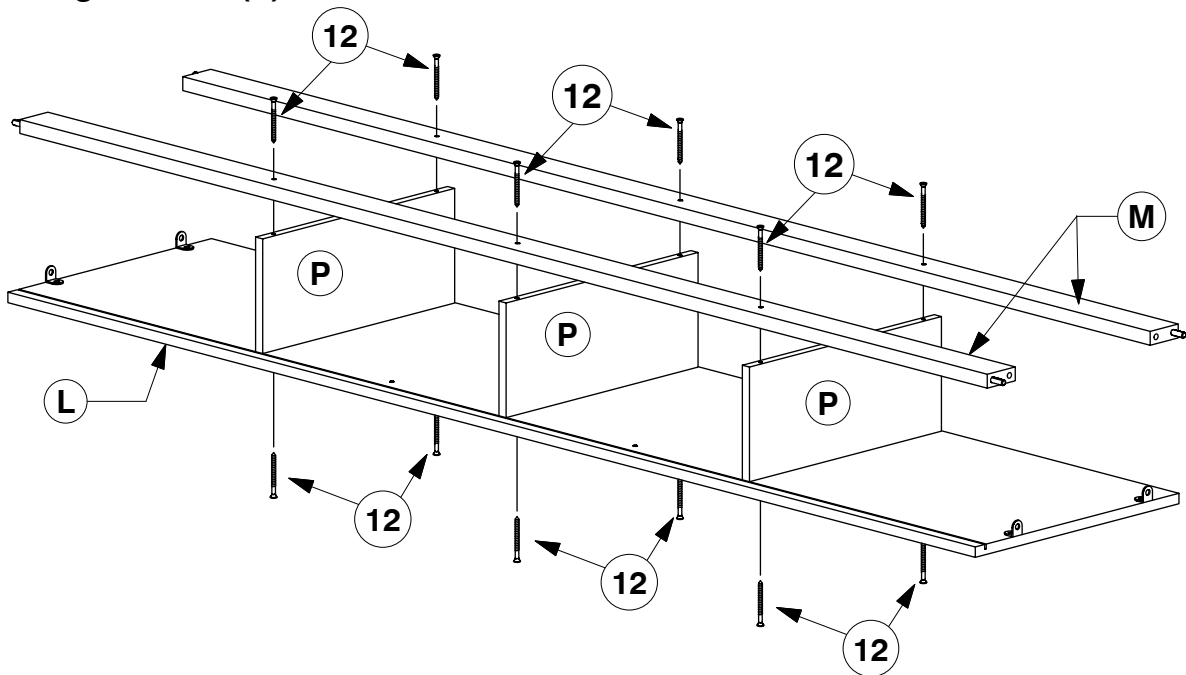
Assembly Instructions

WII-0120

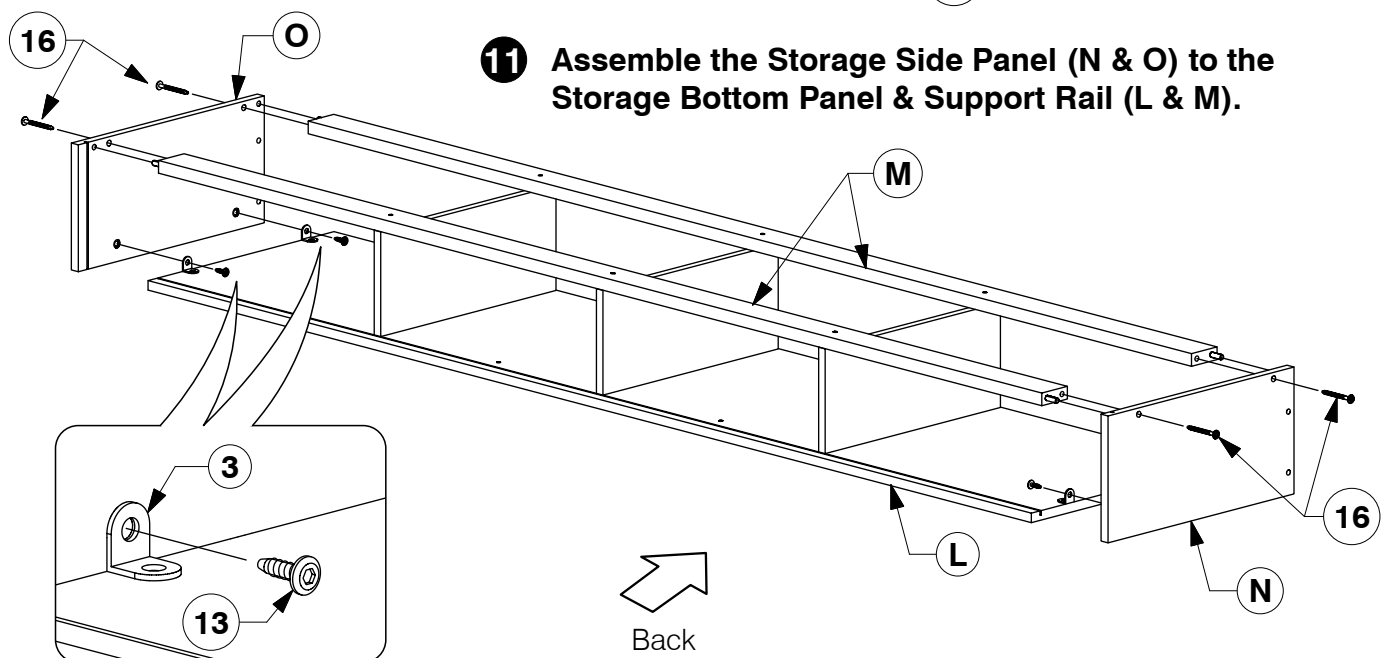
- 9** Tap the Wood Dowel to the end of the Storage Support Rail (M).



- 10** Assemble the Storage Bottom Panel (L) & Support Rail (M) to the Storage Divider (P).



- 11** Assemble the Storage Side Panel (N & O) to the Storage Bottom Panel & Support Rail (L & M).



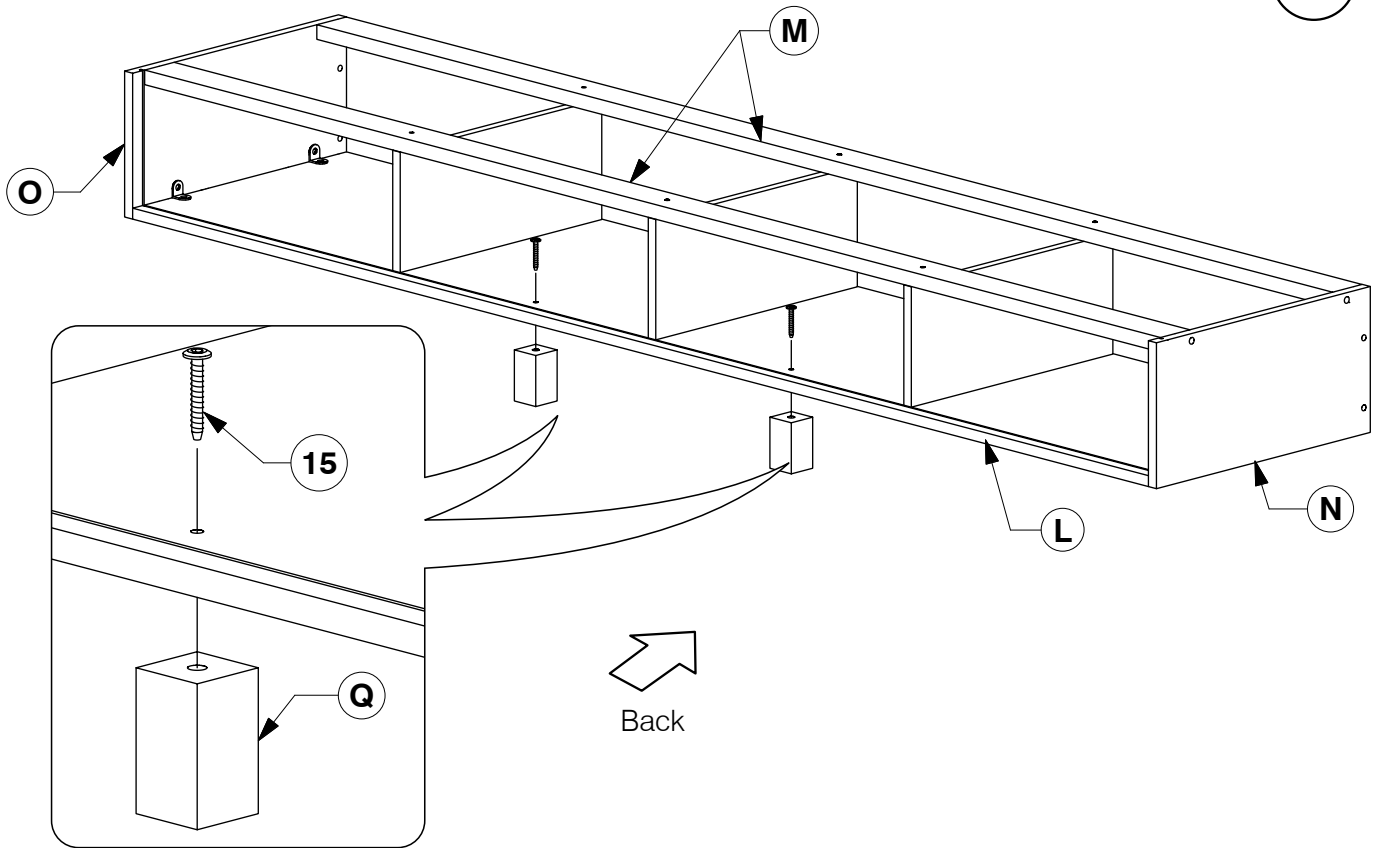
0038 Queen Bed

Assembly Instructions

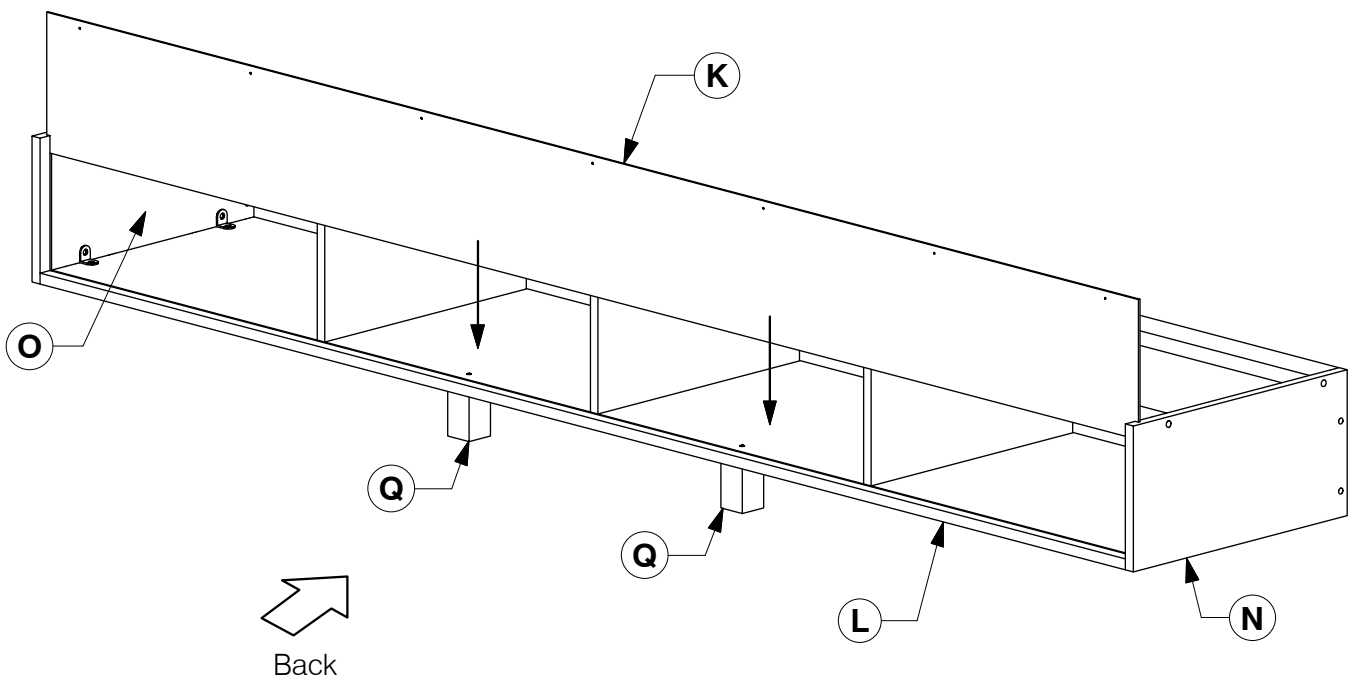
WII-0120

12 Fit the Storage Foot (Q) to the Storage Bottom Panel (L).

x2



13 Slide the Storage Back Panel (K) into the groove.

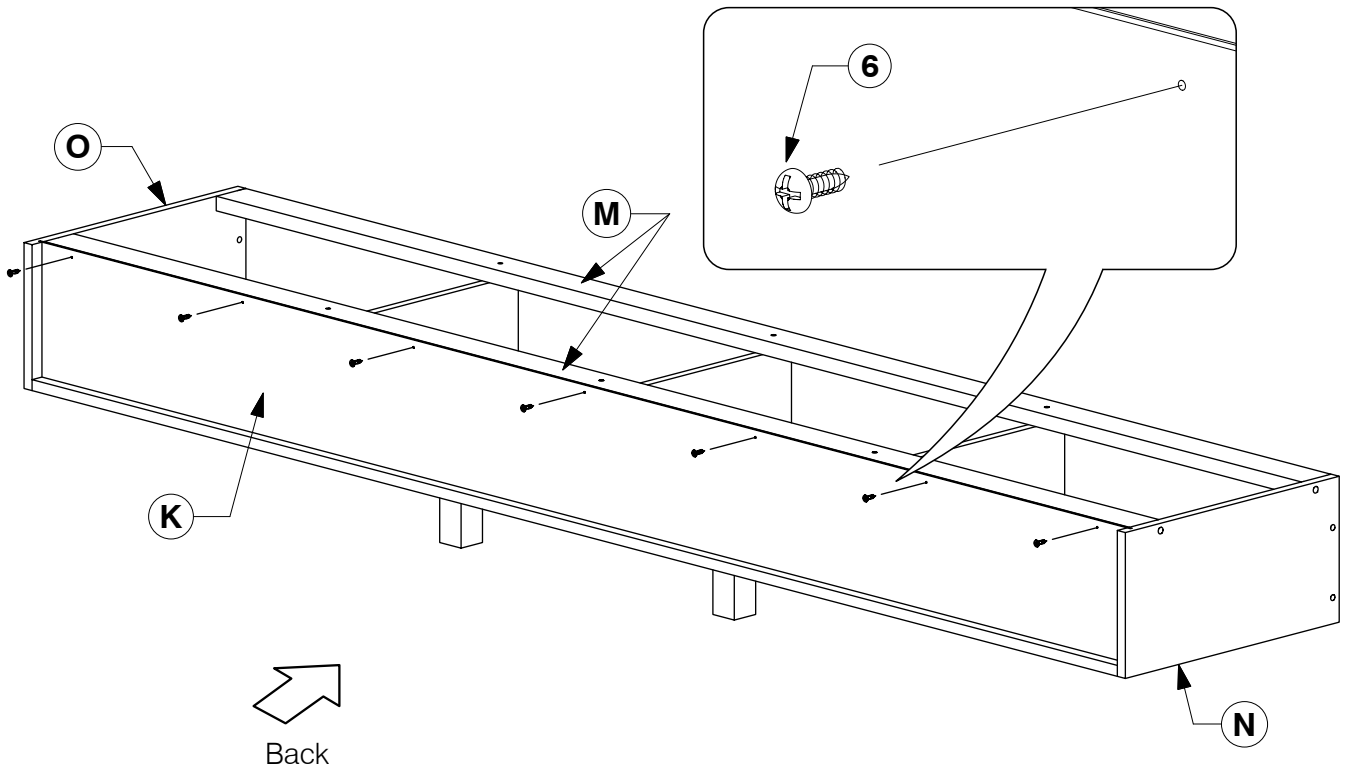


0038 Queen Bed

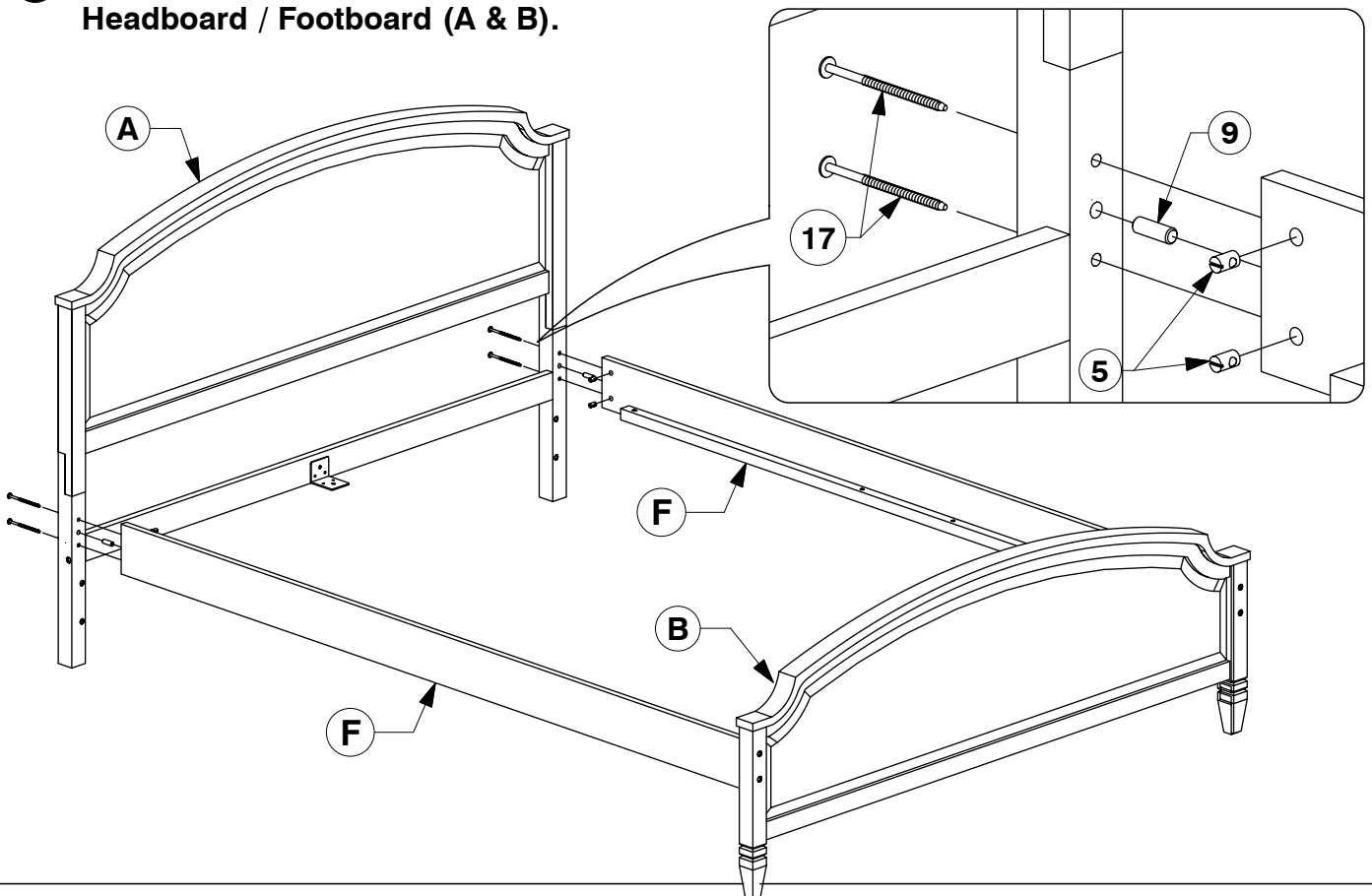
Assembly Instructions

WII-0120

- 14** Fit the Storage Back Panel (K) in place.



- 15** Assemble the Side Rail (F) to the Headboard / Footboard (A & B).

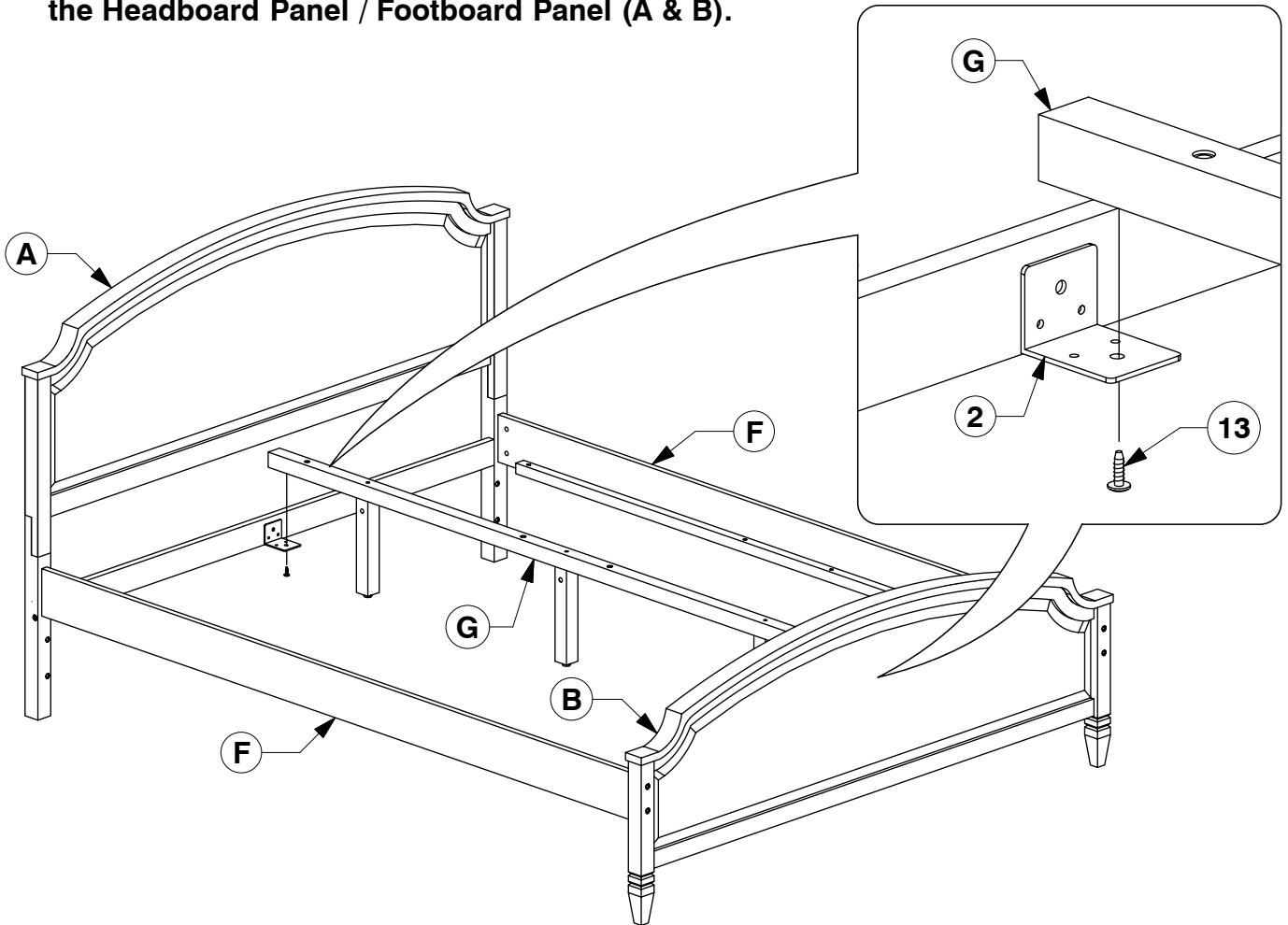


0038 Queen Bed

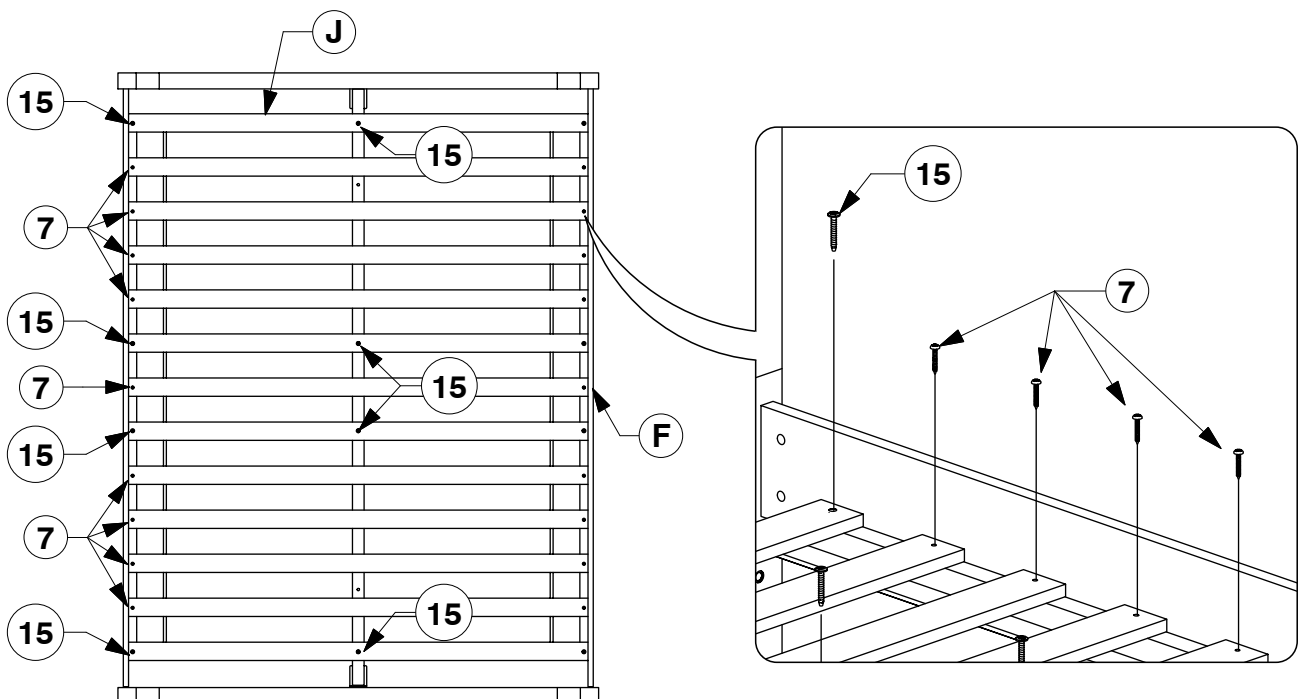
Assembly Instructions

WII-0120

- 16** Bolt the Long Support (G) to the Center Rail Brackets on the Headboard Panel / Footboard Panel (A & B).



- 17** Bolt & screw the Bed Slats (J) to the Side Rail (F).



0038 Queen Bed

Assembly Instructions

W11-0120

- 18** Fit the Assembled Storage under the Bed Frame.



- 19** Bolt the Assembled Storage to the Bed Frame with M6 x 30mm JCB (14).

