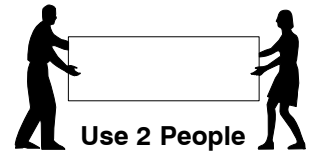
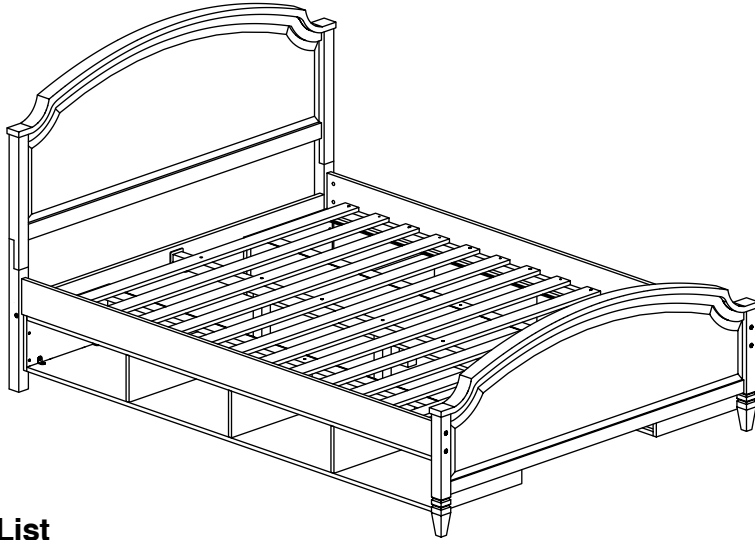


0038 Full Bed

Assembly Instructions

W11-0120

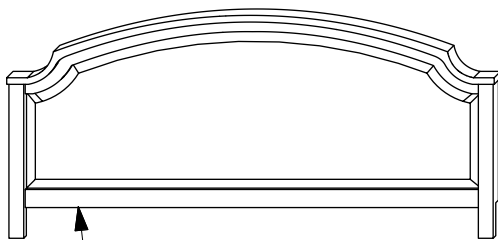
1 Assembled View



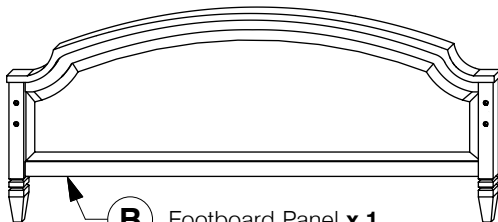
Note: Do not assemble using power tools. This can cause the bolts to be overtightened

2 Parts List

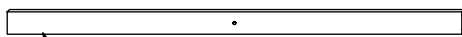
Parts in Box A:



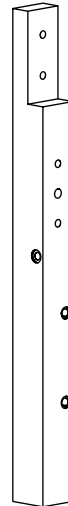
A Headboard Panel x 1



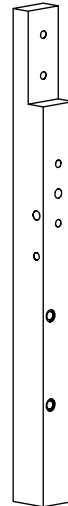
B Footboard Panel x 1



C Headboard Support Rail x 1



D Headboard Post (Left Hand) x 1

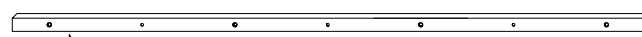


E Headboard Post (Right Hand) x 1

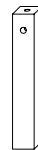
Parts in Box B:



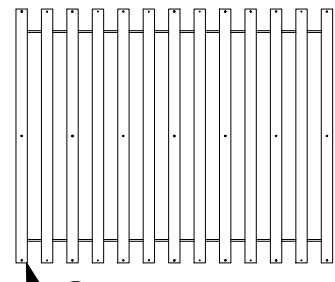
F Side Rail x 2



G Long Support x 1



H Support Leg x 3



J Set of Bed Slats x 1

0038 Full Bed

Assembly Instructions

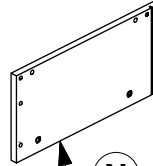
WII-0120

2 Parts List

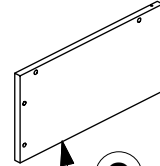
Parts in Box C:



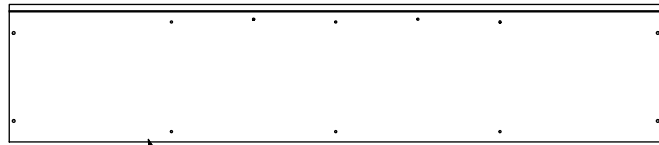
K Storage Back Panel x 2



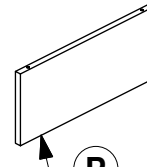
N Storage Side Panel (Left Hand) x 2



O Storage Side Panel (Right Hand) x 2



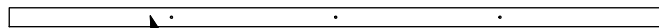
L Storage Bottom Panel x 2



P Storage Divider x 6



Q Storage Foot x 4

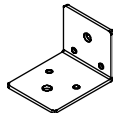


M Storage Support Rail x 4

3 Hardware List



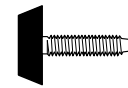
1 M4 Allen Key x 1



2 Center Rail Bracket x 2



3 'L' Bracket x 8



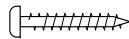
4 Adjustable Foot x 3



5 Barrel Nut x 13



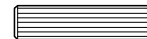
6 Wood Screw (M4 x 16mm) x 12



7 Wood Screw (M4 x 32mm) x 12



8 Wood Dowel (M8 x 30mm) x 8



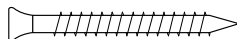
9 Wood Dowel (M10 x 40mm) x 6



10 Spring Washer x 4



11 Flat Washer x 4



12 CSK Cap Wood Screw (M6 x 50mm) x 24



13 M6 x 15mm JCB x 20



14 M6 x 30mm JCB x 8



15 M6 x 40mm JCB x 26



16 M6 x 60mm JCB x 8



17 M6 x 90mm JCB x 10



18 M6 x 100mm JCB x 3

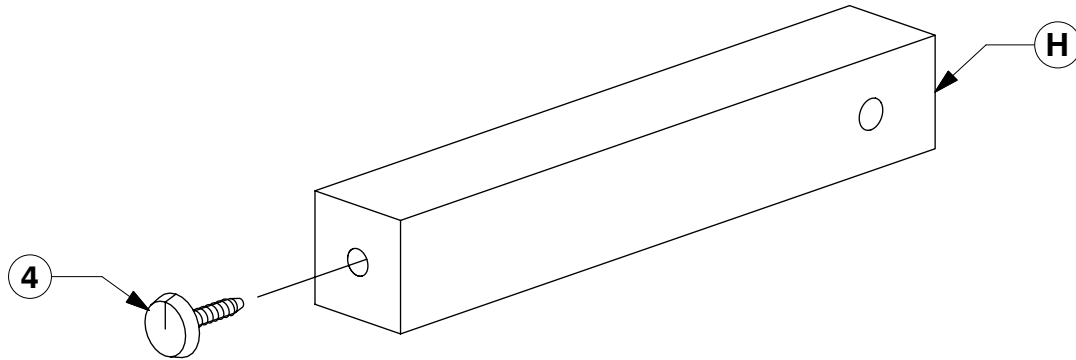
0038 Full Bed

Assembly Instructions

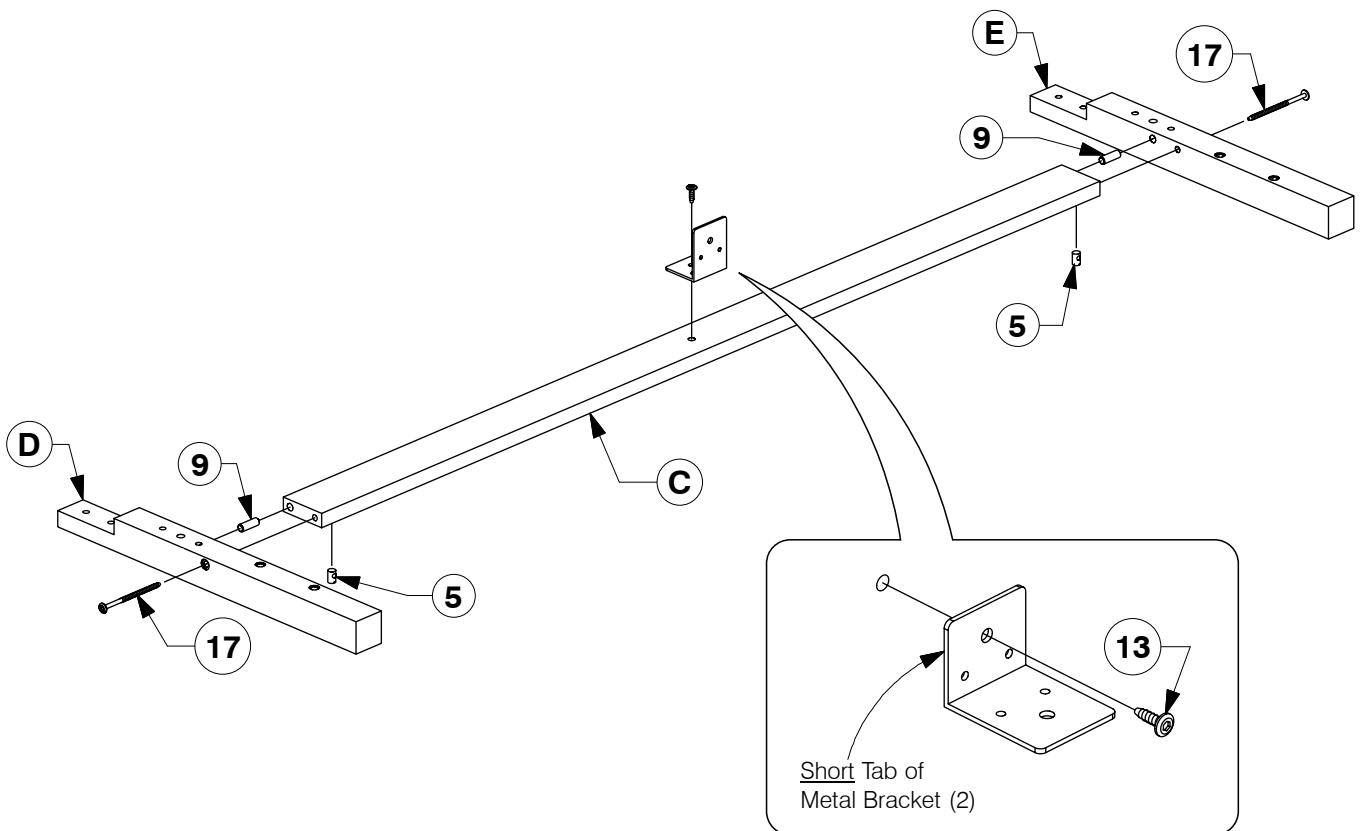
WII-0120

- 4** Fix the Adjustable foot to the bottom of the Support Leg (H).

x3



- 5** Fit the Lower Headboard Post (D & E) to the Headboard Support Rail (C).
Fit the Center Rail Bracket to the Headboard Support Rail (C).

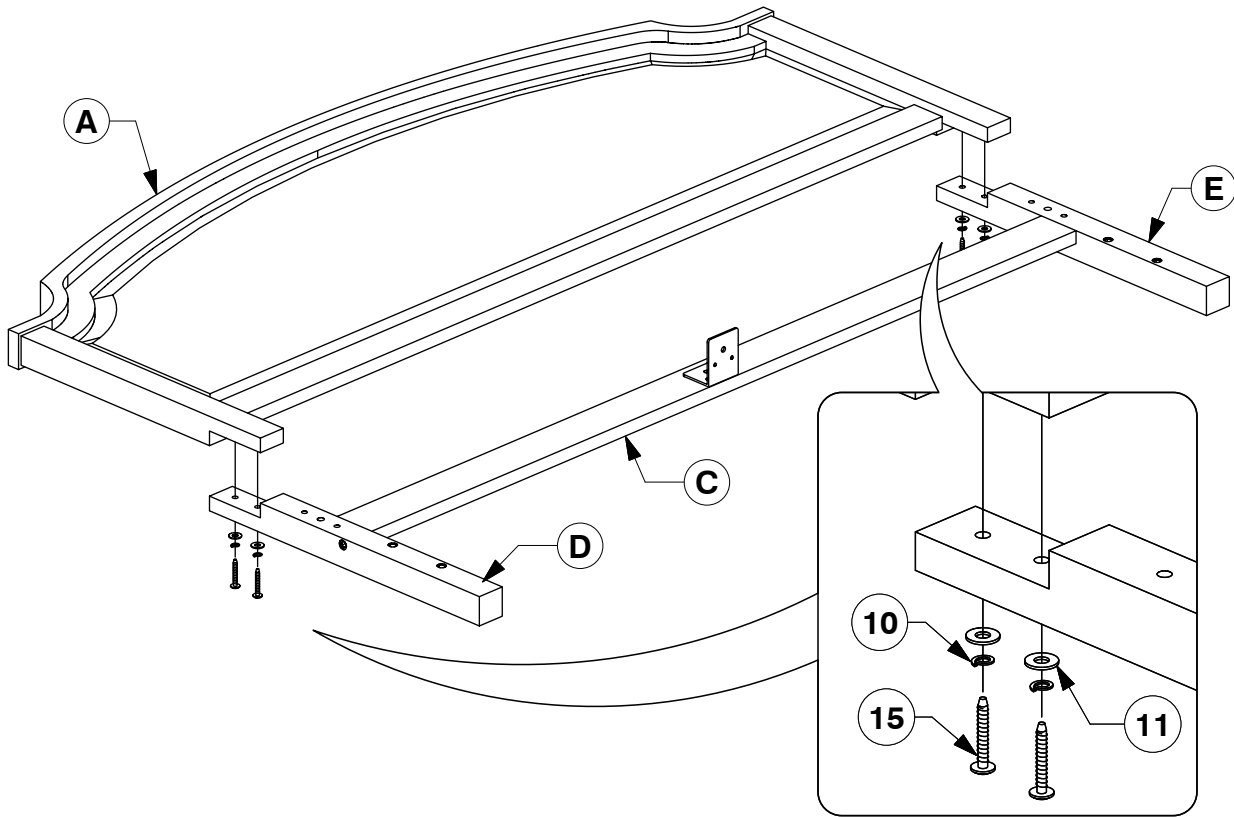


0038 Full Bed

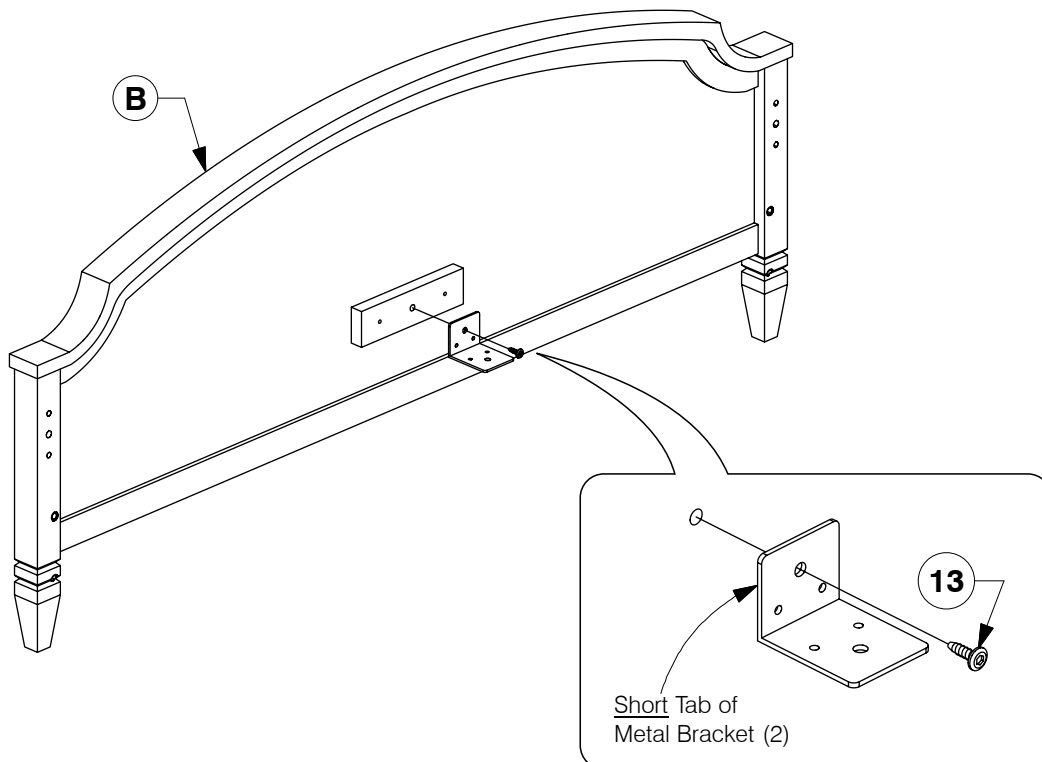
Assembly Instructions

W11-0120

- 6** Fit the Headboard Panel (A) to the Headboard Post (D & E).



- 7** Fit the Center Rail Bracket to the Footboard Panel (B).

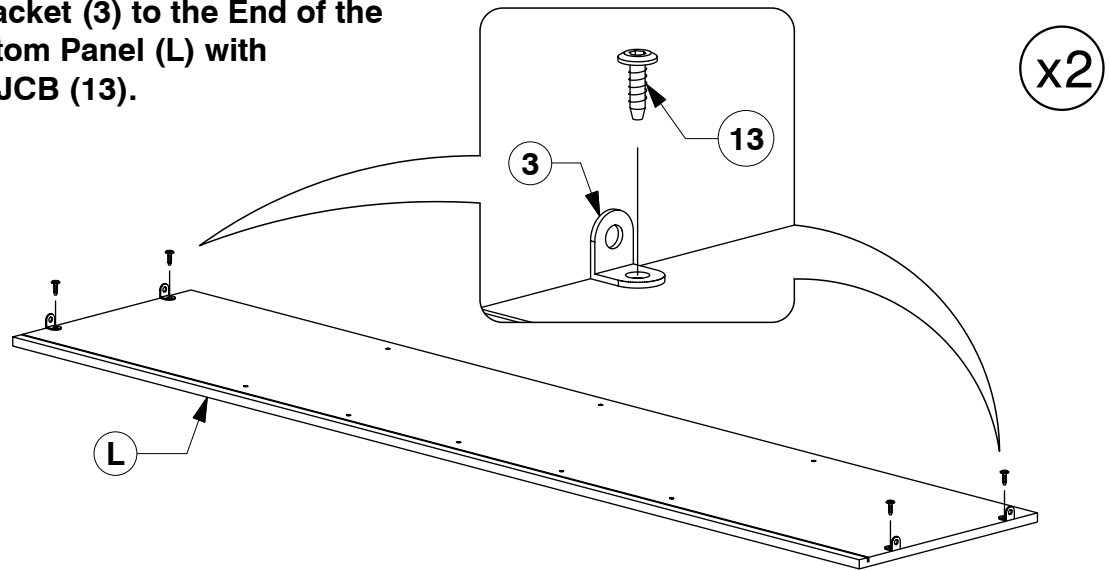


0038 Full Bed

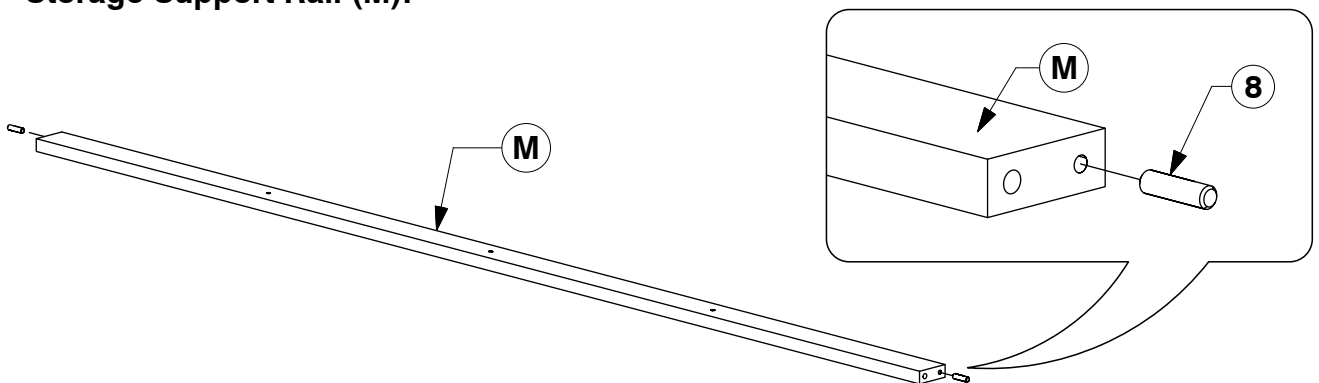
Assembly Instructions

WII-0120

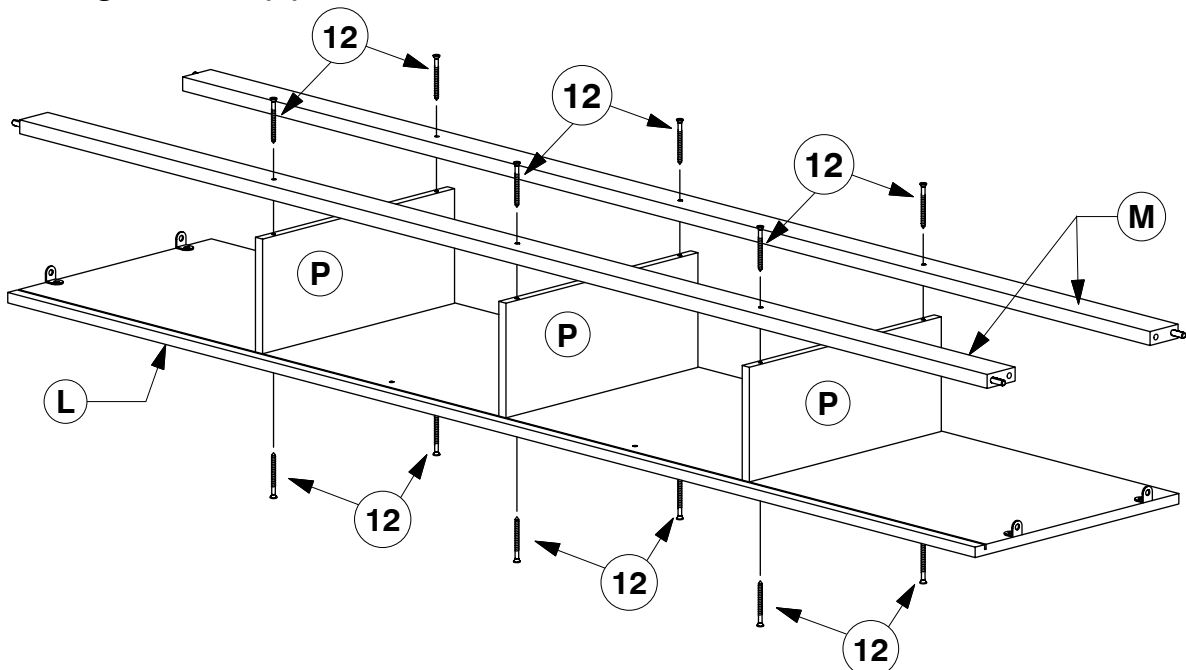
- 8** Fit the 'L' Bracket (3) to the End of the Storage Bottom Panel (L) with M6 x 15mm JCB (13).



- 9** Tap the Wood Dowel to the end of the Storage Support Rail (M).



- 10** Assemble the Storage Bottom Panel (L) & Support Rail (M) to the Storage Divider (P).



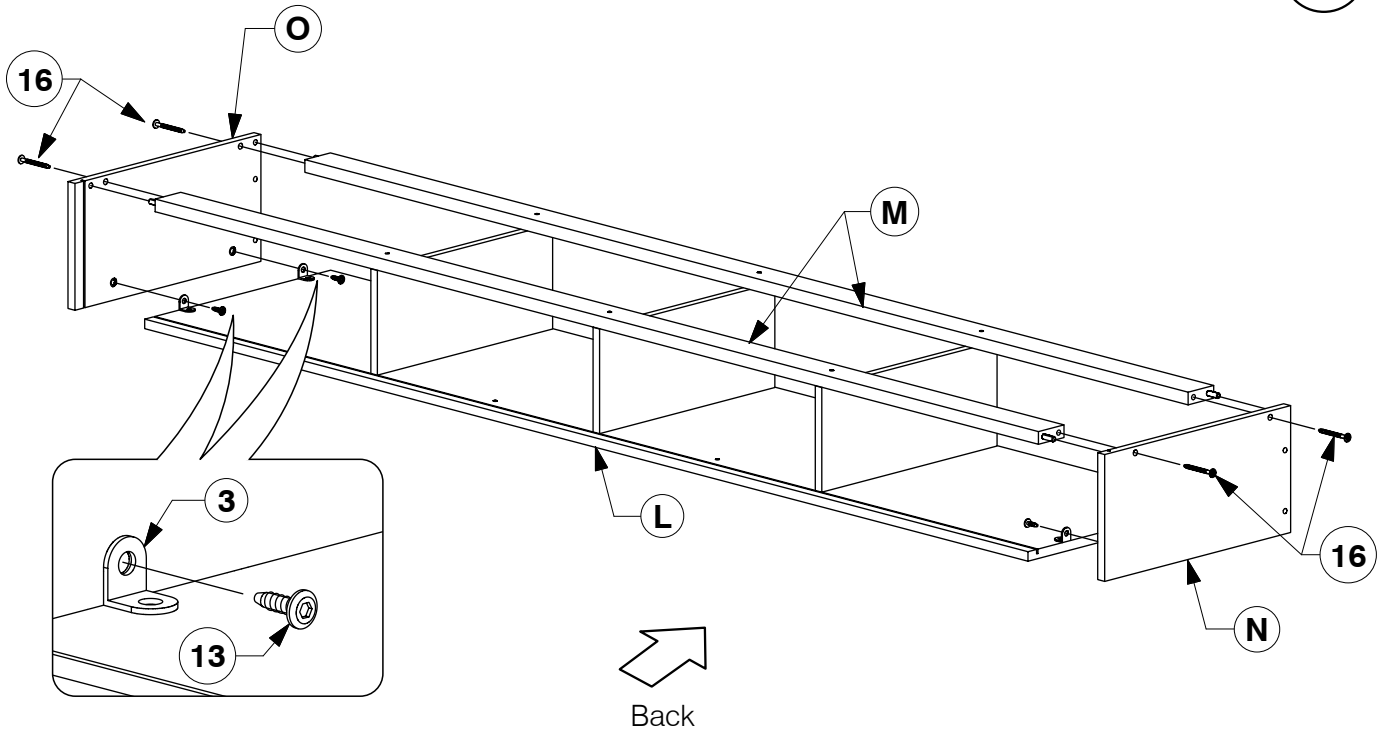
0038 Full Bed

Assembly Instructions

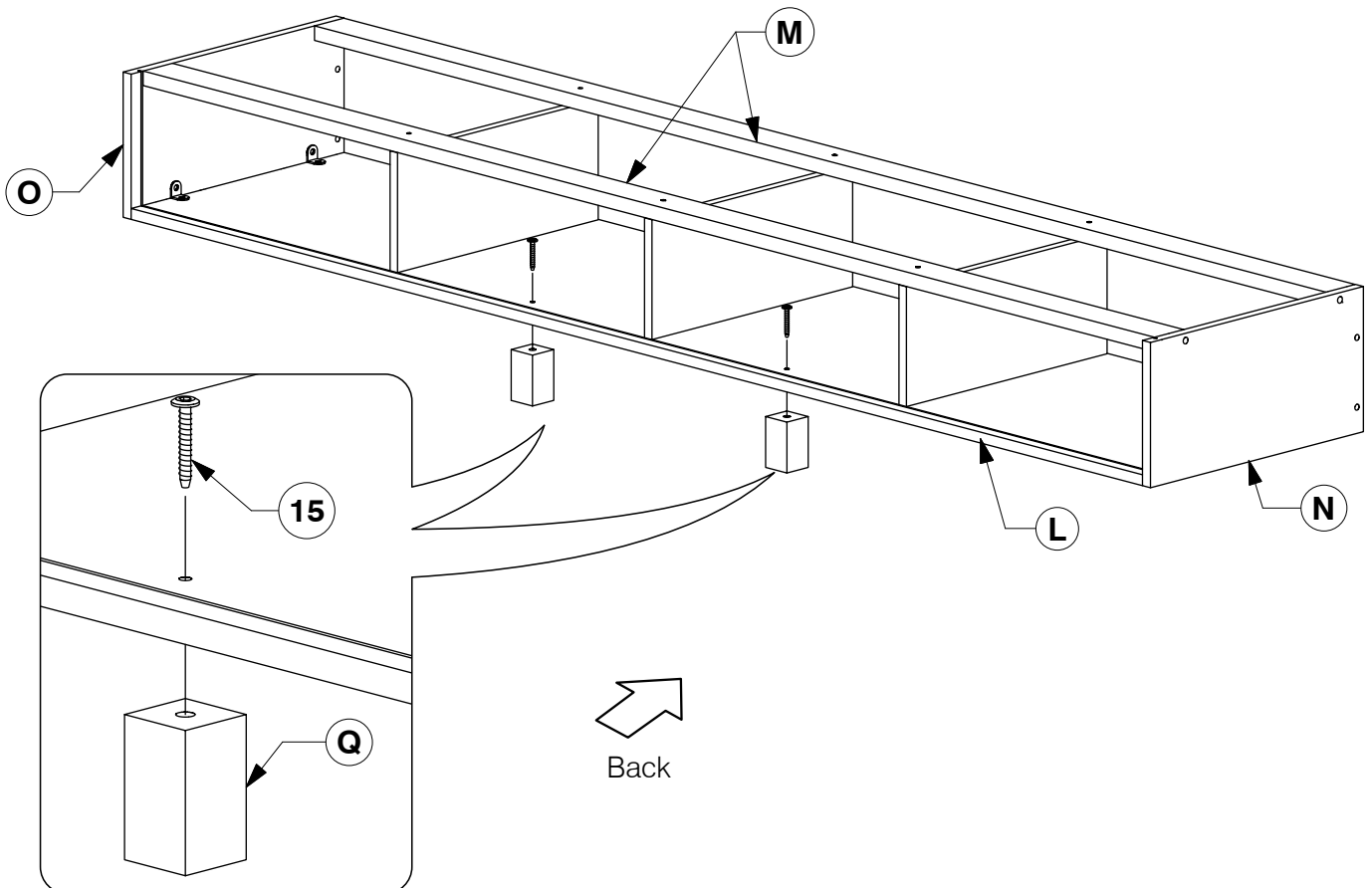
W11-0120

- 11** Assemble the Storage Side Panel (N & O) to the Storage Bottom Panel & Support Rail (L & M).

x2



- 12** Fit the Storage Foot (Q) to the Storage Bottom Panel (L).



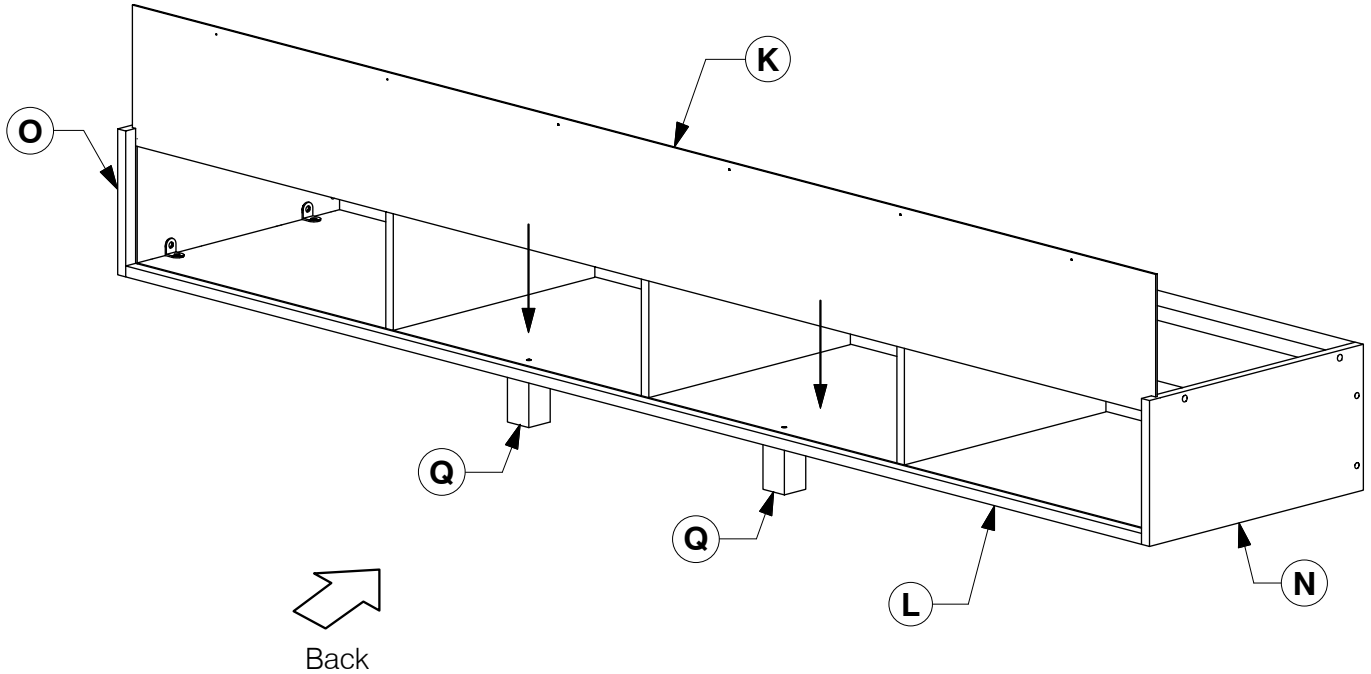
0038 Full Bed

Assembly Instructions

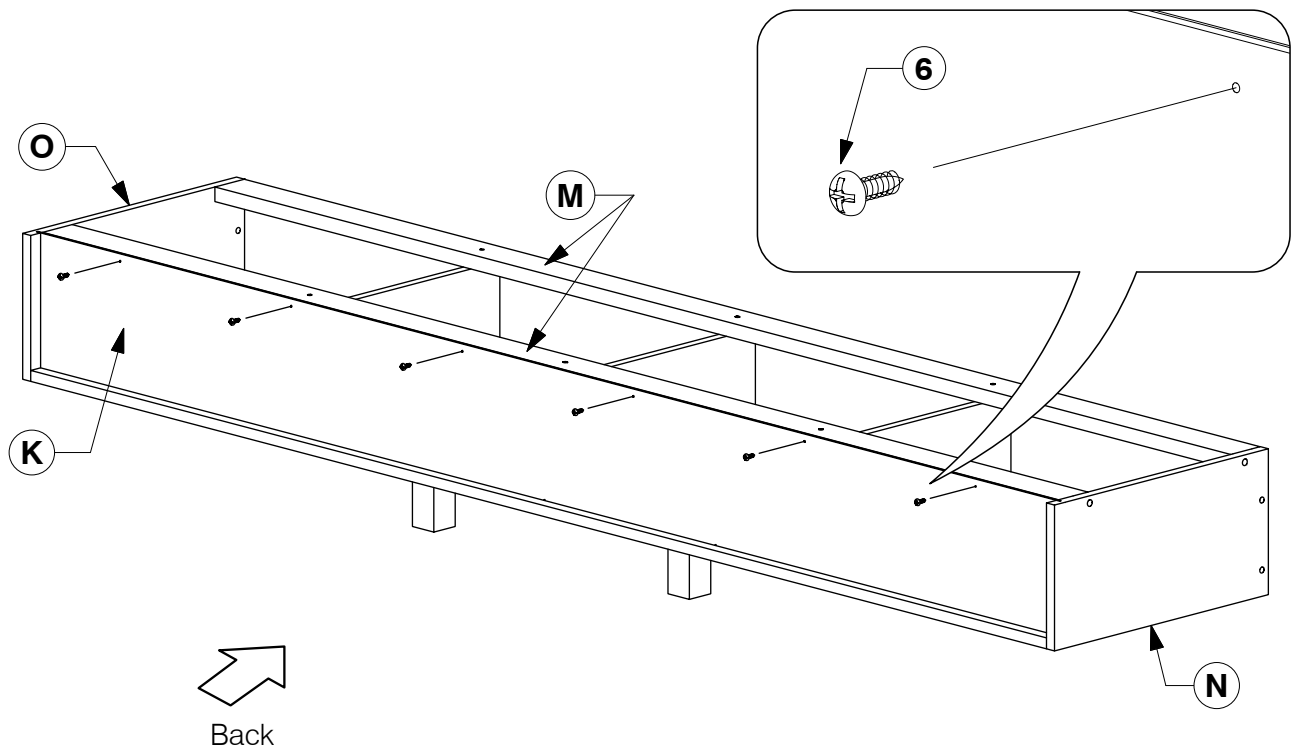
WII-0120

13 Slide the Storage Back Panel (K) into the groove.

x2



14 Fit the Storage Back Panel (K) in place.

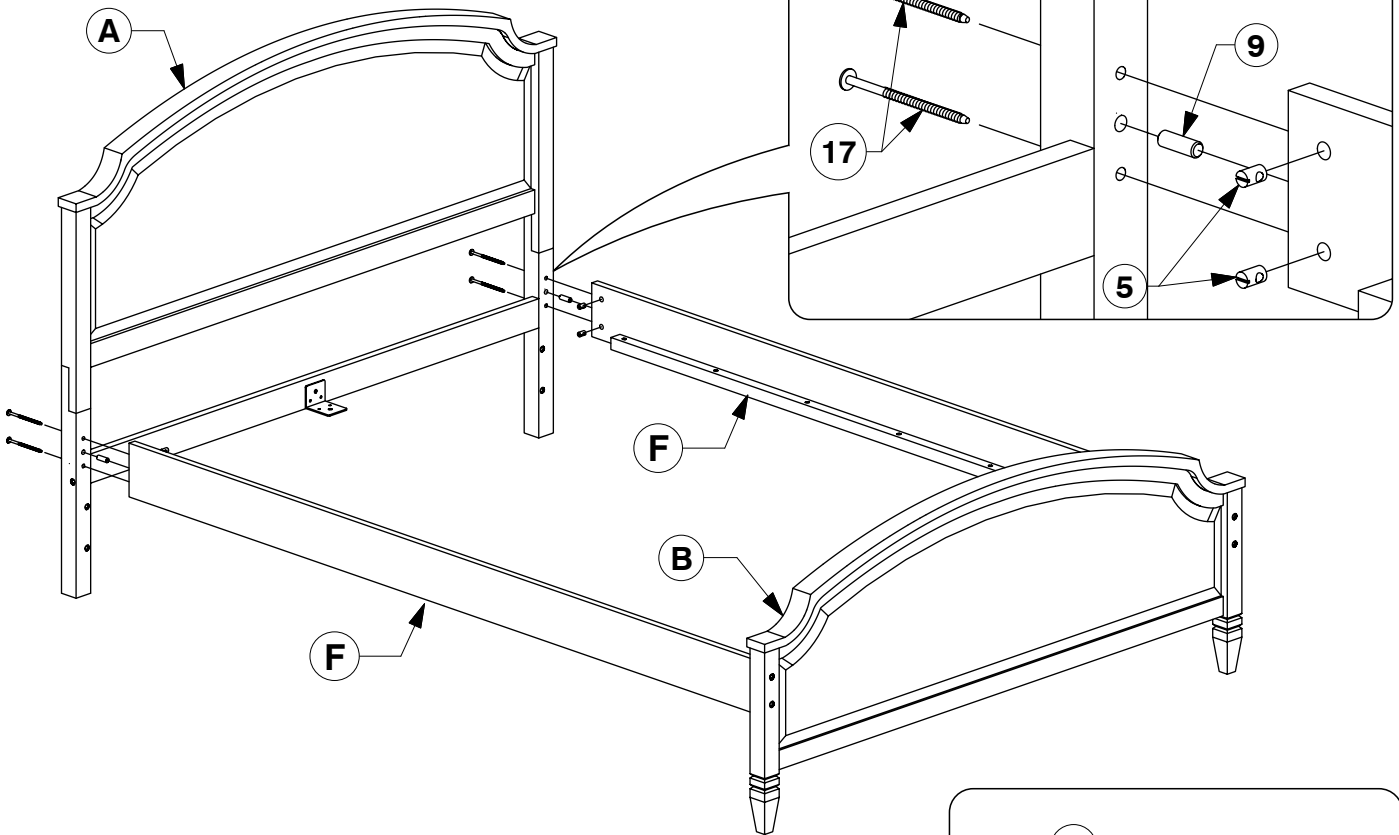


0038 Full Bed

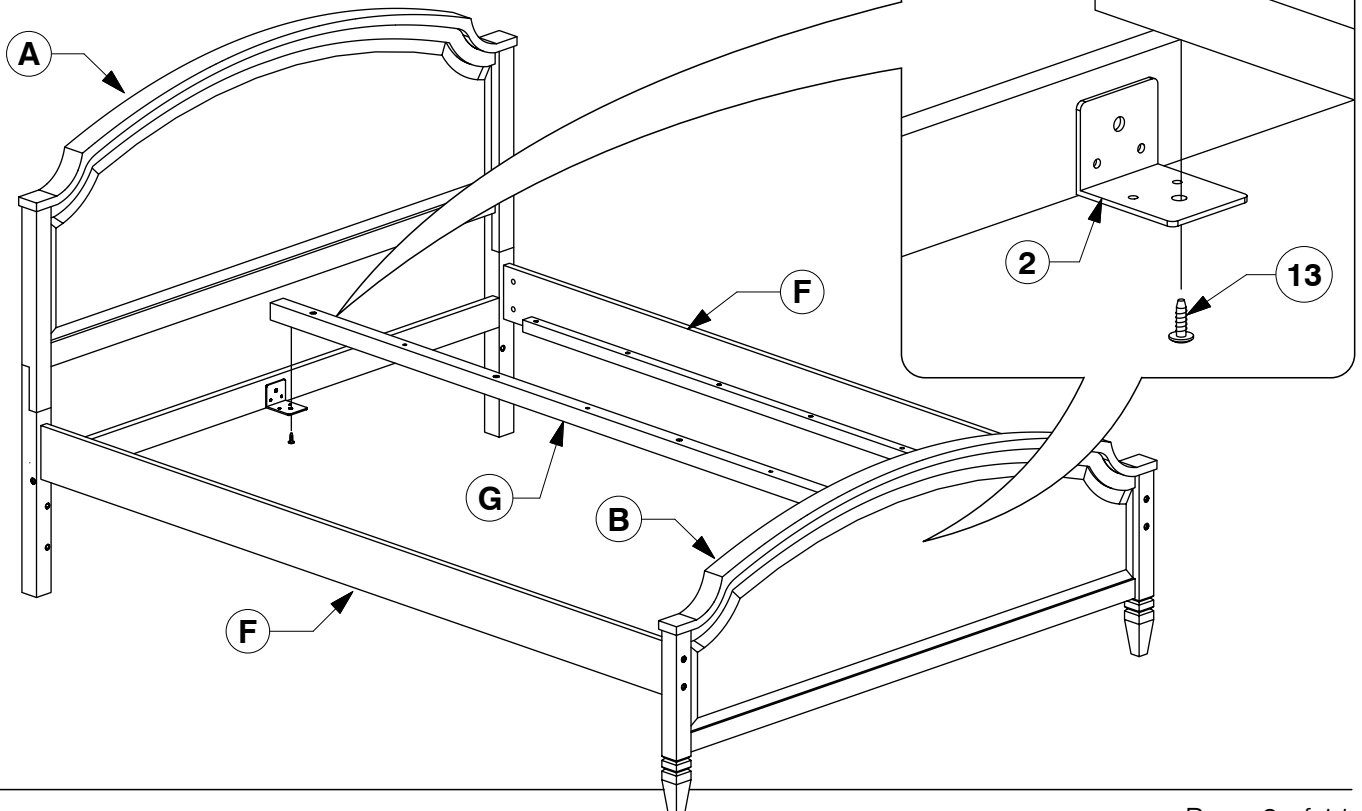
Assembly Instructions

WII-0120

- 15** Assemble the Side Rail (F) to the Headboard / Footboard (A & B).



- 16** Bolt the Long Support (G) to the Center Rail Brackets on the Headboard Panel / Footboard Panel (A & B).

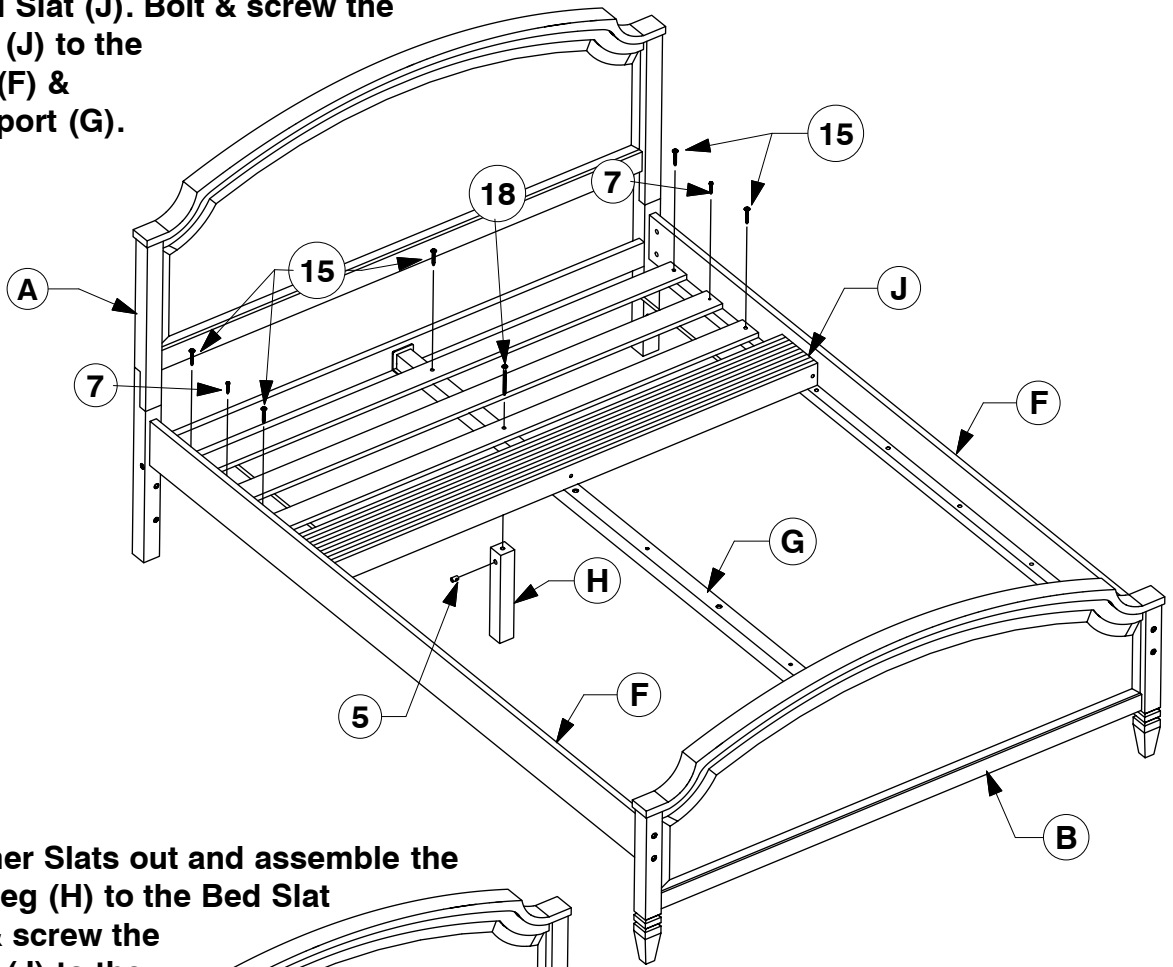


0038 Full Bed

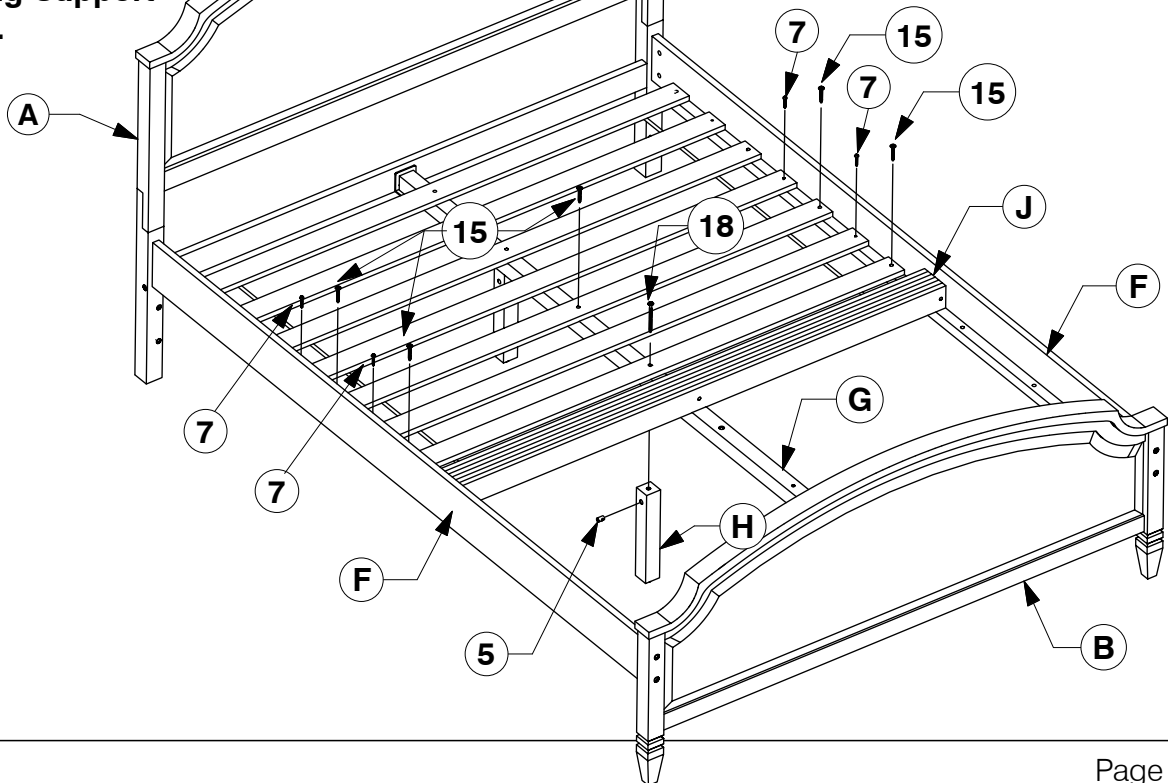
Assembly Instructions

WII-0120

- 17** Fit the first 3 Slats and assemble the Support Leg (H) to the Bed Slat (J). Bolt & screw the Bed Slats (J) to the Side Rail (F) & Long Support (G).



- 18** Fit the other Slats out and assemble the Support Leg (H) to the Bed Slat (J). Bolt & screw the Bed Slats (J) to the Side Rail (F) & Long Support (G).

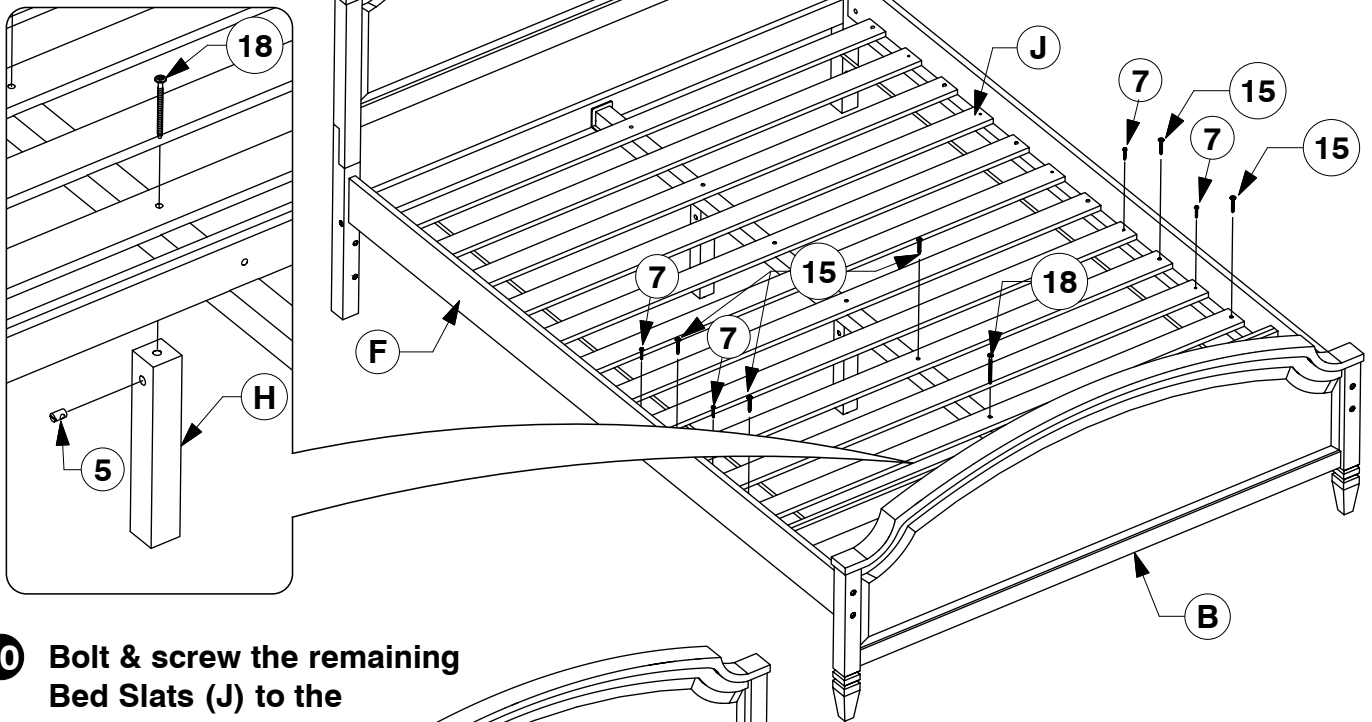


0038 Full Bed

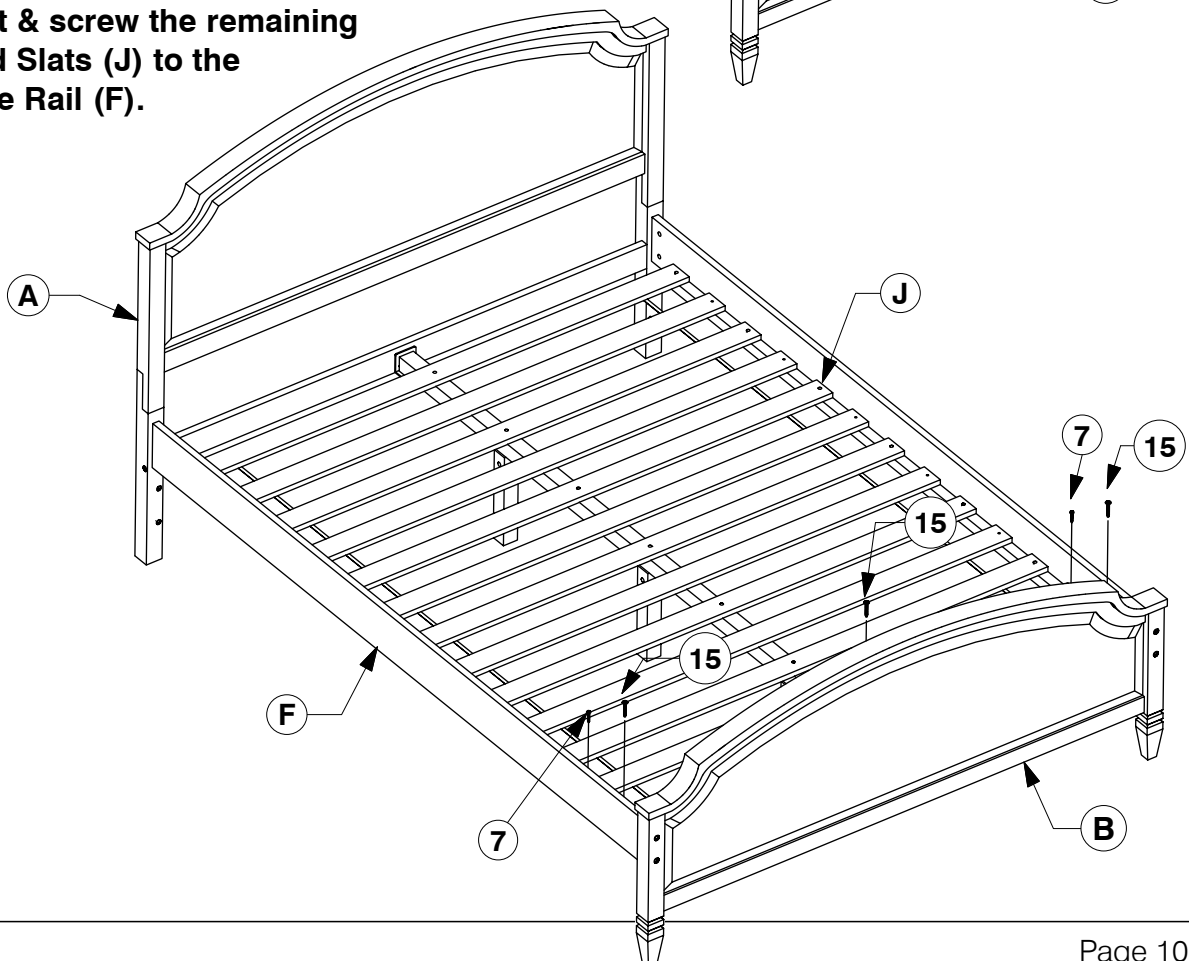
Assembly Instructions

W11-0120

- 19** Fit the other Slats out and assemble the Support Leg (H) to the Bed Slat (J). Bolt & screw the Bed Slats (J) to the Side Rail (F) & Long Support (G).



- 20** Bolt & screw the remaining Bed Slats (J) to the Side Rail (F).

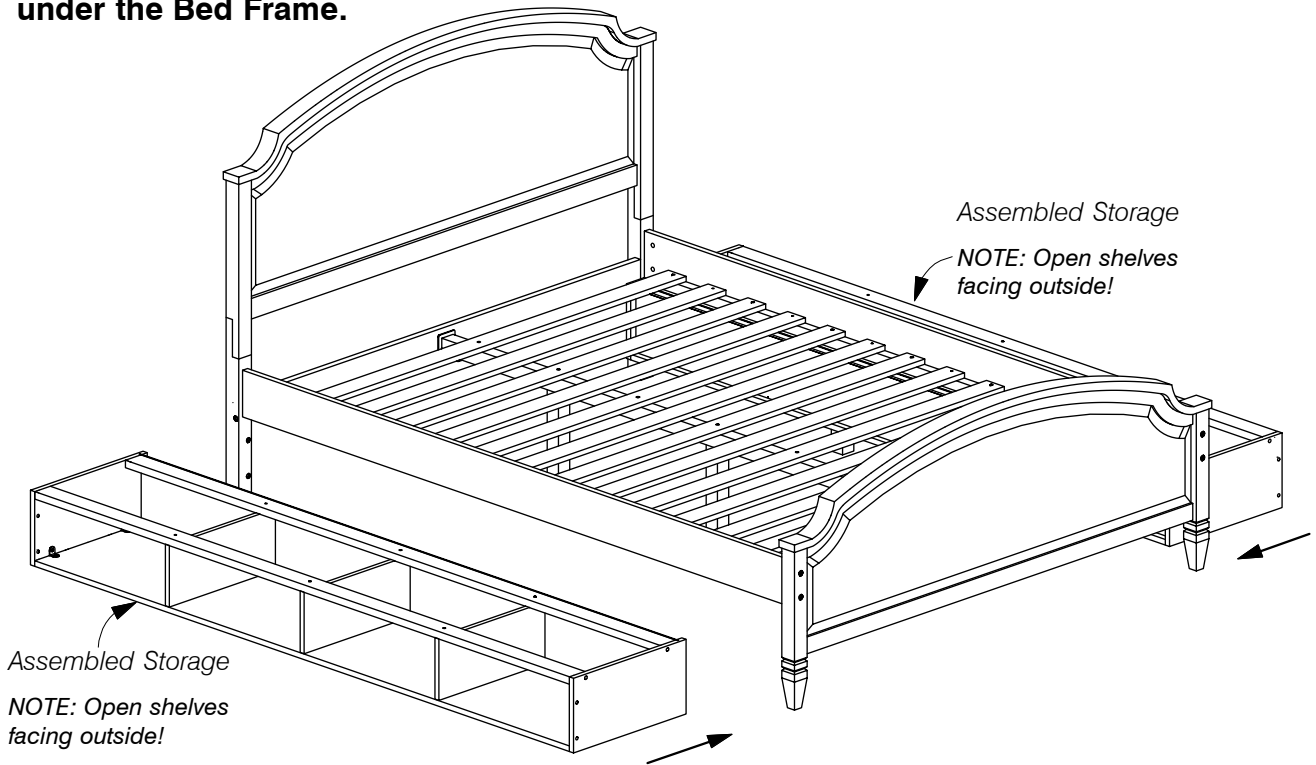


0038 Full Bed

Assembly Instructions

W11-0120

- 21** Fit the Assembled Storage under the Bed Frame.



- 22** Bolt the Assembled Storage to the Bed Frame with M6 x 30mm JCB (14).

