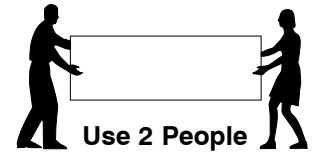
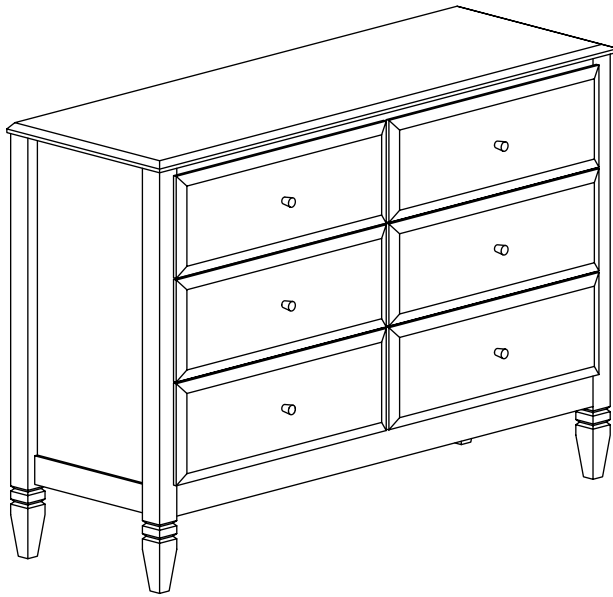


0038 6 Drawer Dresser

Assembly Instructions

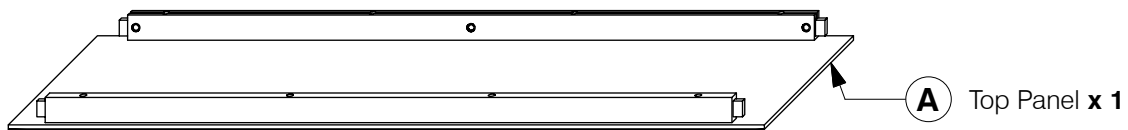
WII-0120



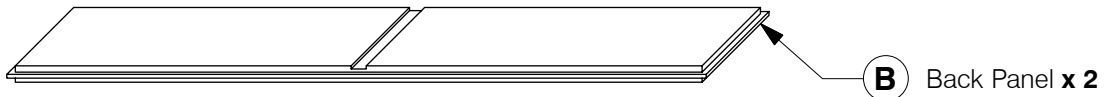
Note: Do not assemble using power tools. This can cause the bolts to be overtightened

1 Parts List

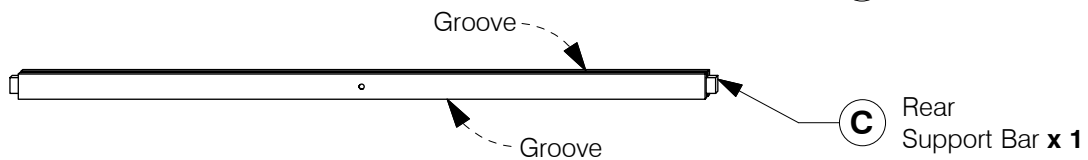
Parts in Box A:



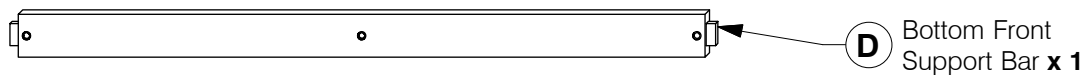
A Top Panel x 1



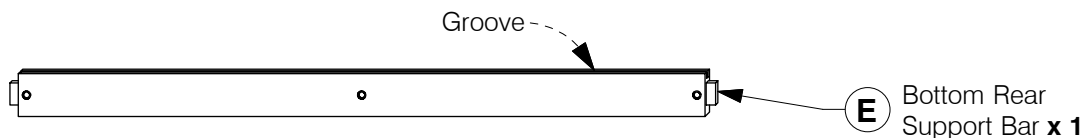
B Back Panel x 2



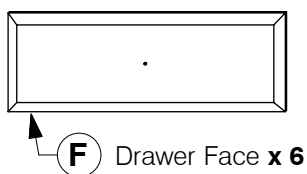
C Rear Support Bar x 1



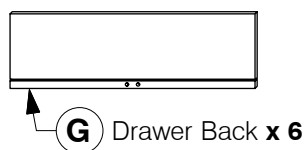
D Bottom Front Support Bar x 1



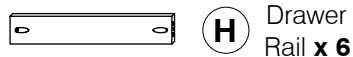
E Bottom Rear Support Bar x 1



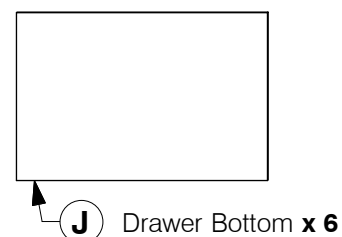
F Drawer Face x 6



G Drawer Back x 6



H Drawer Rail x 6



J Drawer Bottom x 6

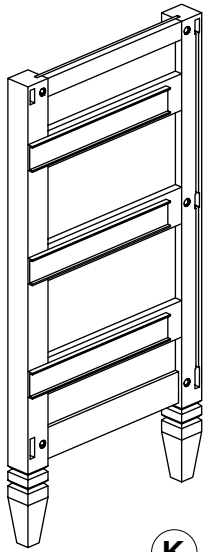
0038 6 Drawer Dresser

Assembly Instructions

WII-0120

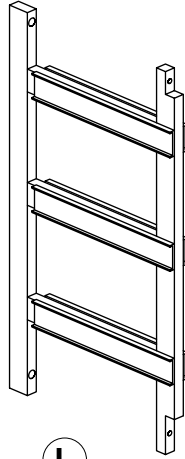
1 Parts List

Parts in Box B:



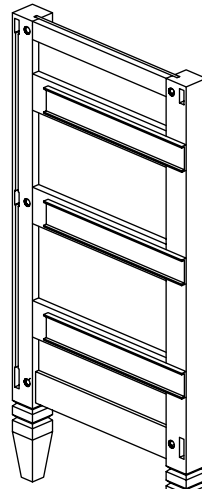
K

Leg Frame
(Left Hand) x 1



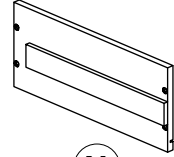
L

Center Frame
x 1



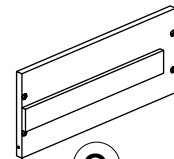
M

Leg Frame
(Right Hand) x 1



N

Drawer Side
(Left Hand) x 6



O

Drawer Side
(Right Hand) x 6

2 Hardware List



1 M6 x
15mm JCB
x 20



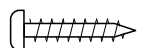
2 M6 x
30mm JCB
x 4



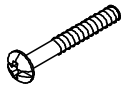
3 M6 x
40mm JCB
x 1



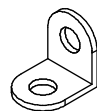
4 M6 x 25mm
Wood Dowel
x 24



5 M4 x 25mm
Wood Screw
x 60



6 M4 x 22mm
Wood Screw
x 6



7 'L' Bracket
(5005-3) x 10



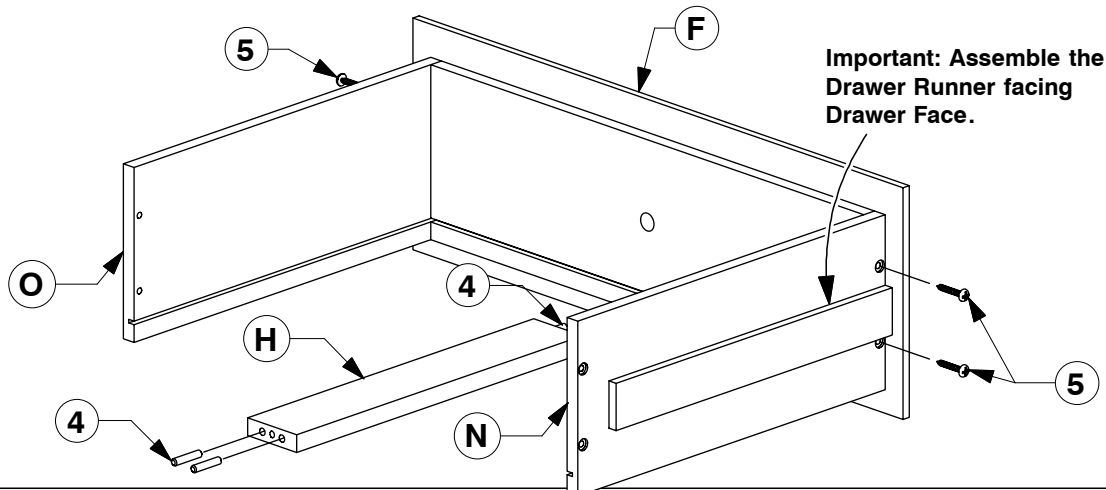
8 Handle
(1005) x 6



9 Allen Key
x 1

3 Assemble the Drawer Sides (N & O) & Drawer Rail (H) to the Drawer Face (F).

x6



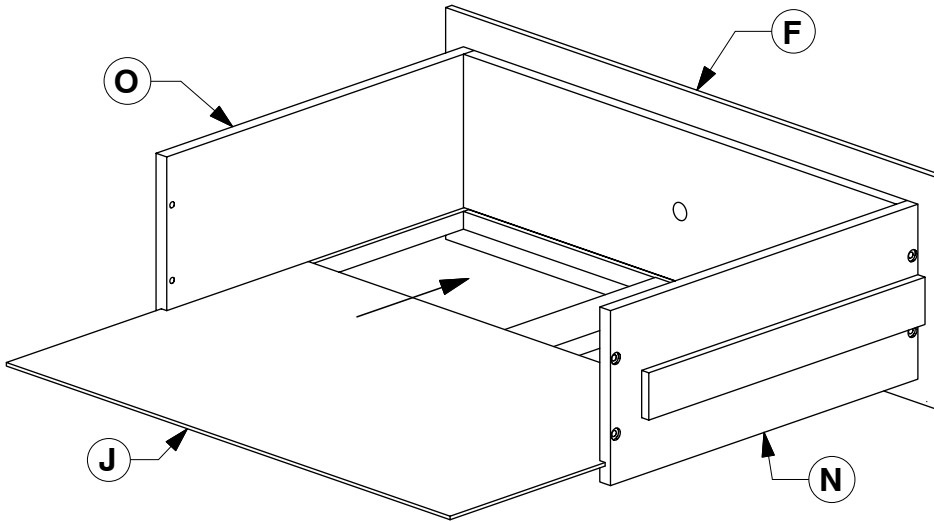
0038 6 Drawer Dresser

Assembly Instructions

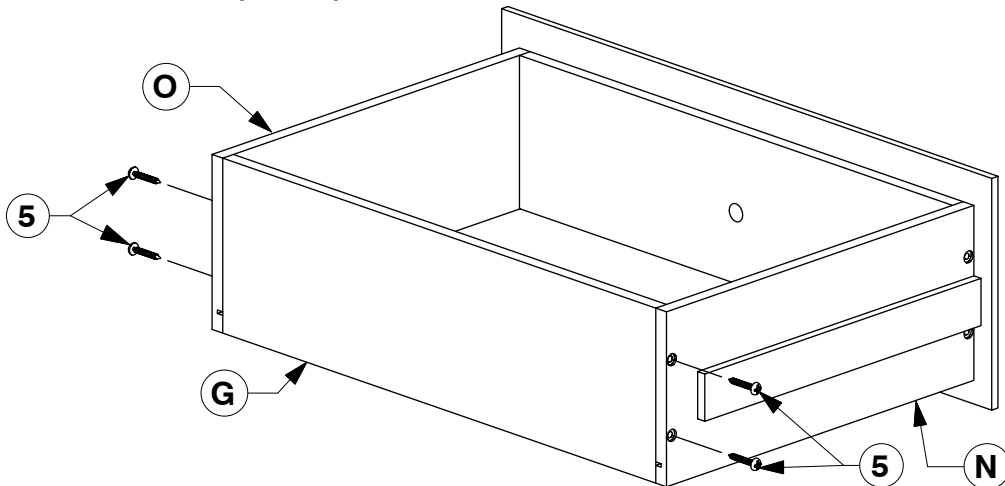
WII-0120

- 4** Slide the Drawer Bottom (J) into the groove on the Drawer Sides (N & O).

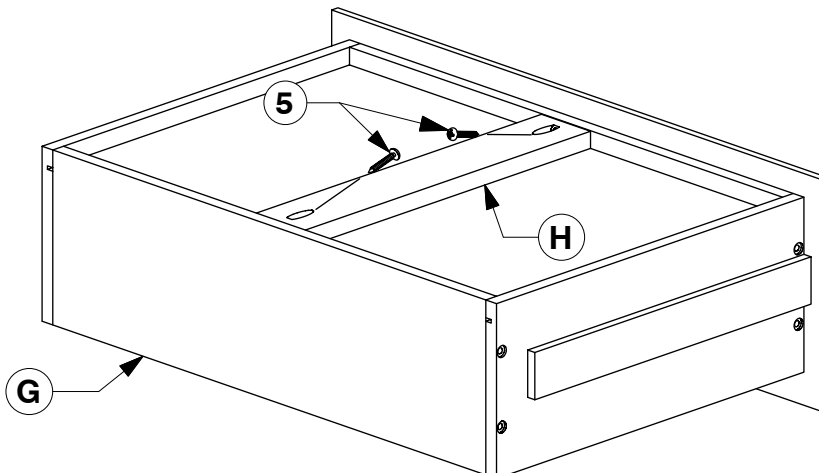
x6



- 5** Assemble the Drawer Back (G) to the Drawer Sides (N & O).



- 6** Turn the Drawer over to fit angled 25mm Wood screws (5) to the Drawer Rail (H).

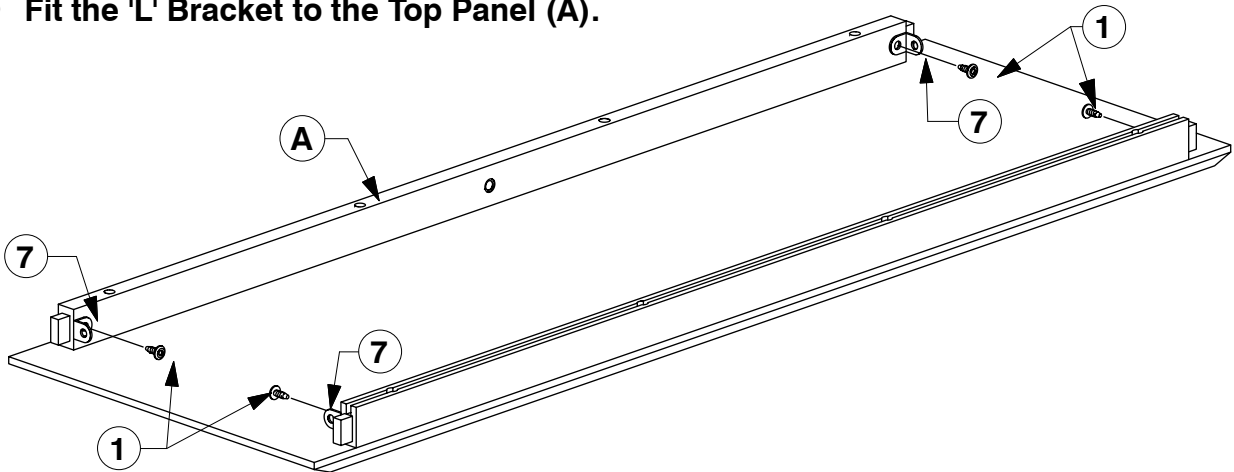


0038 6 Drawer Dresser

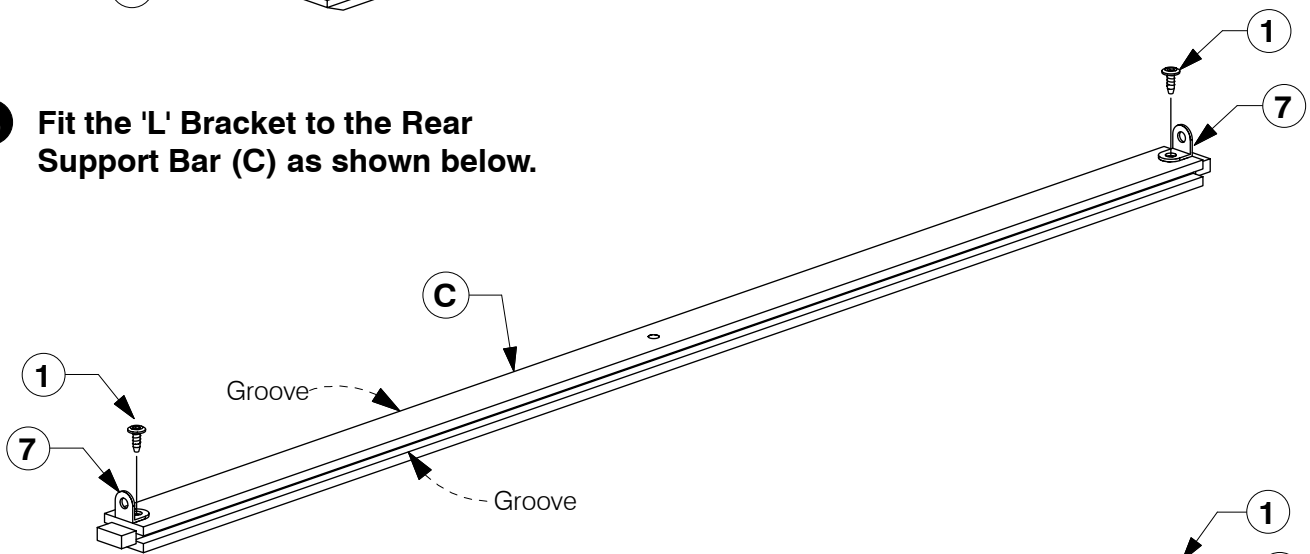
Assembly Instructions

WII-0120

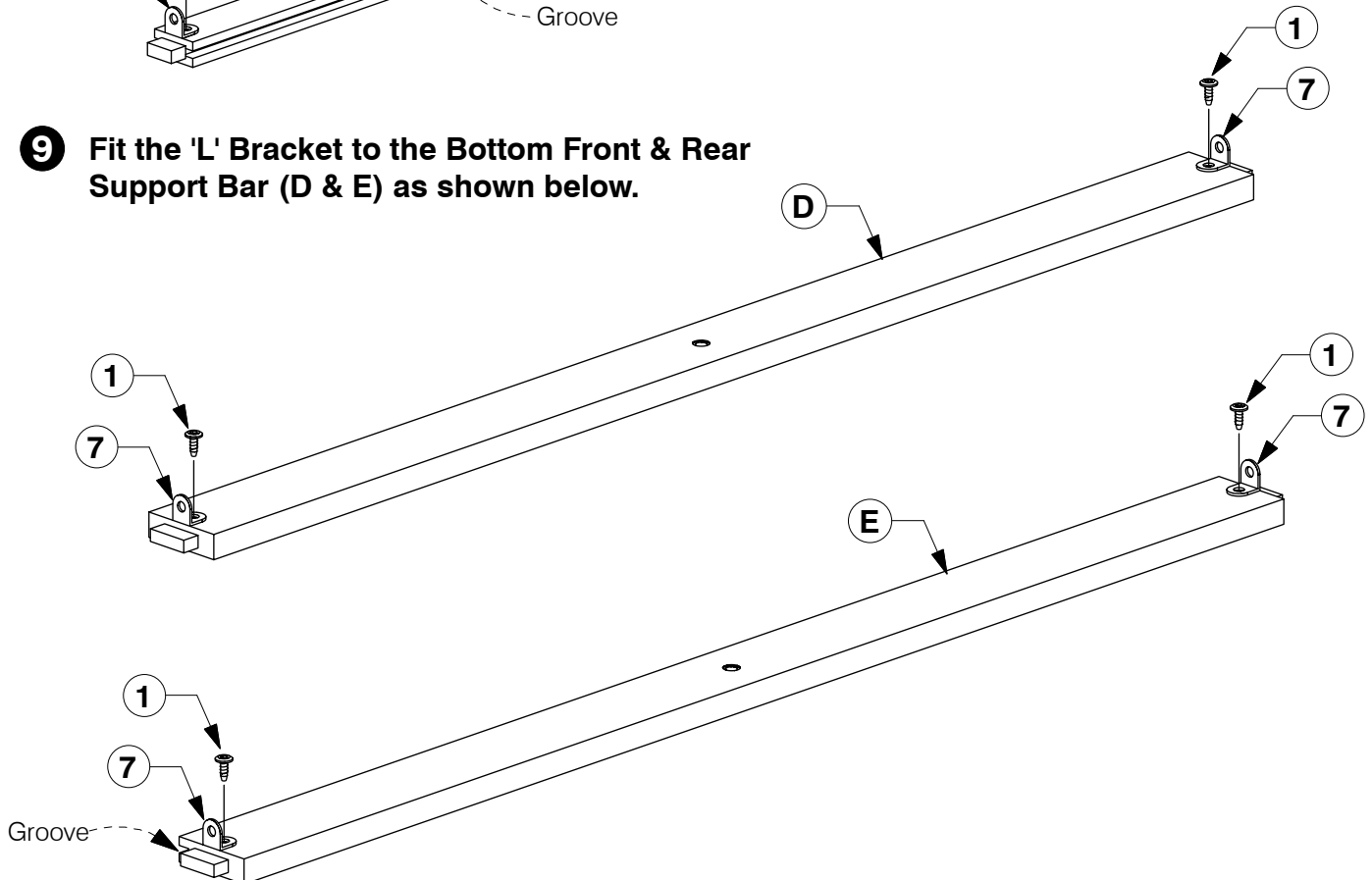
- 7** Fit the 'L' Bracket to the Top Panel (A).



- 8** Fit the 'L' Bracket to the Rear Support Bar (C) as shown below.



- 9** Fit the 'L' Bracket to the Bottom Front & Rear Support Bar (D & E) as shown below.

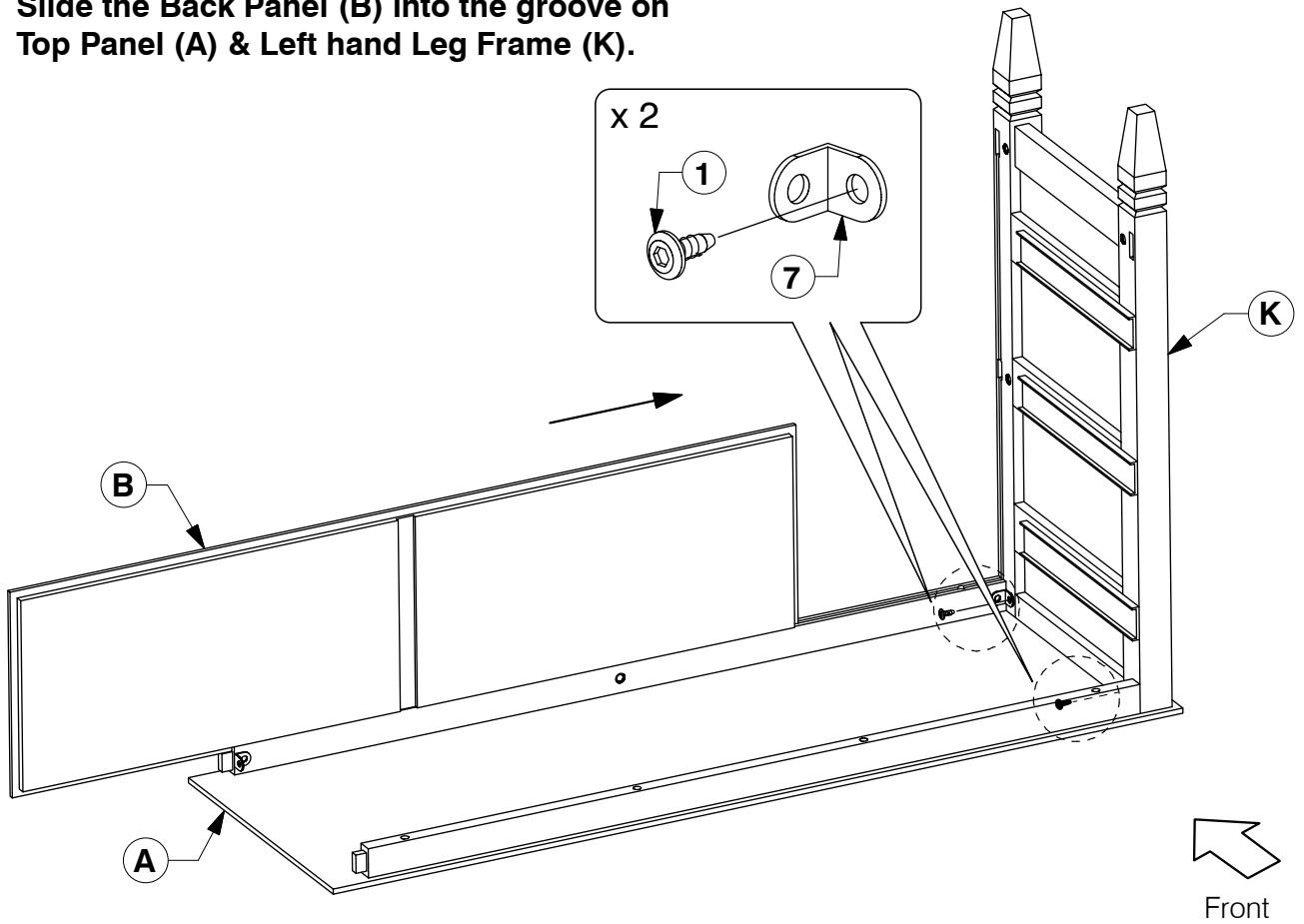


0038 6 Drawer Dresser

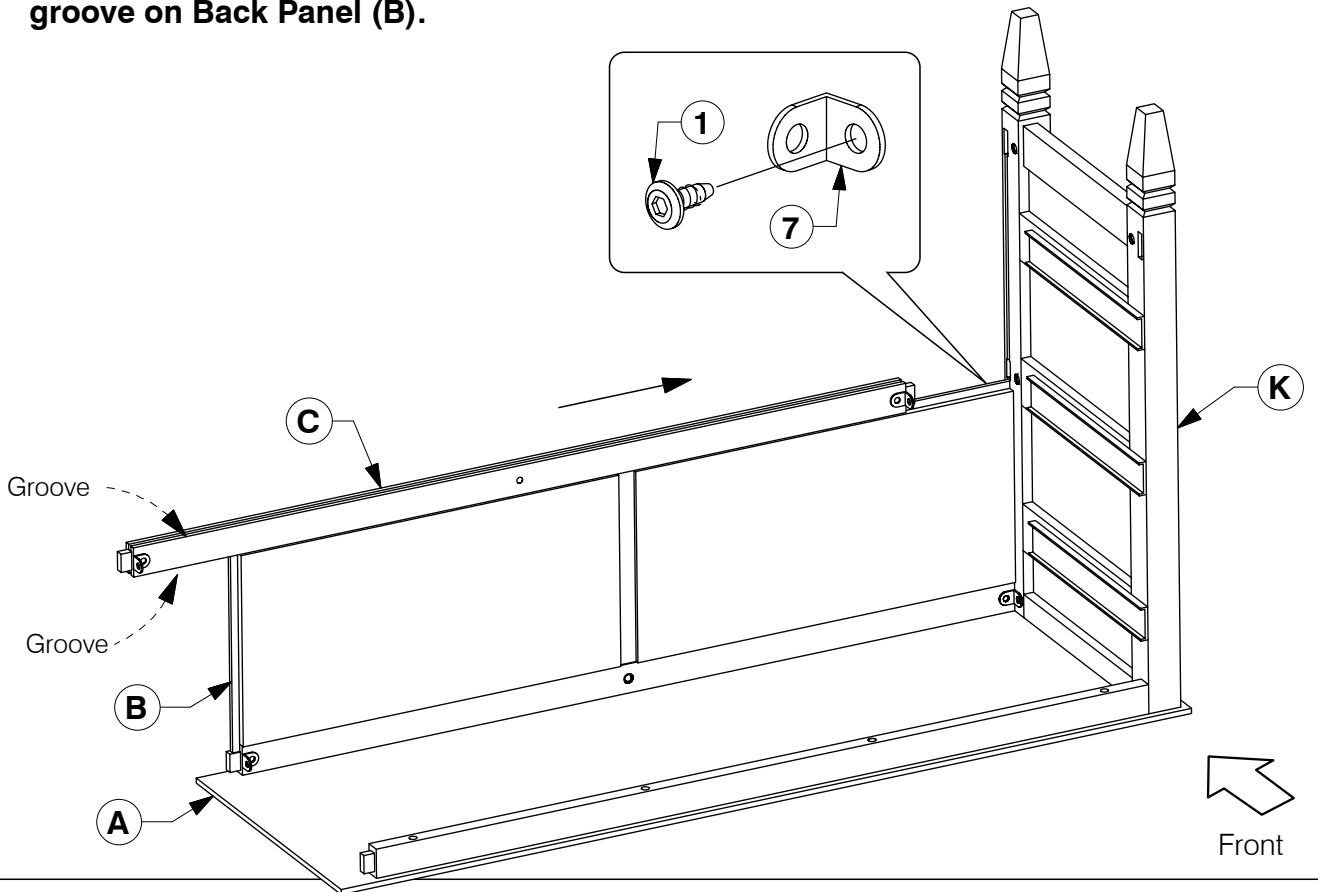
Assembly Instructions

WII-0120

- 10** Slide the Back Panel (B) into the groove on Top Panel (A) & Left hand Leg Frame (K).



- 11** Slide the Rear Support Bar (C) into the groove on Back Panel (B).

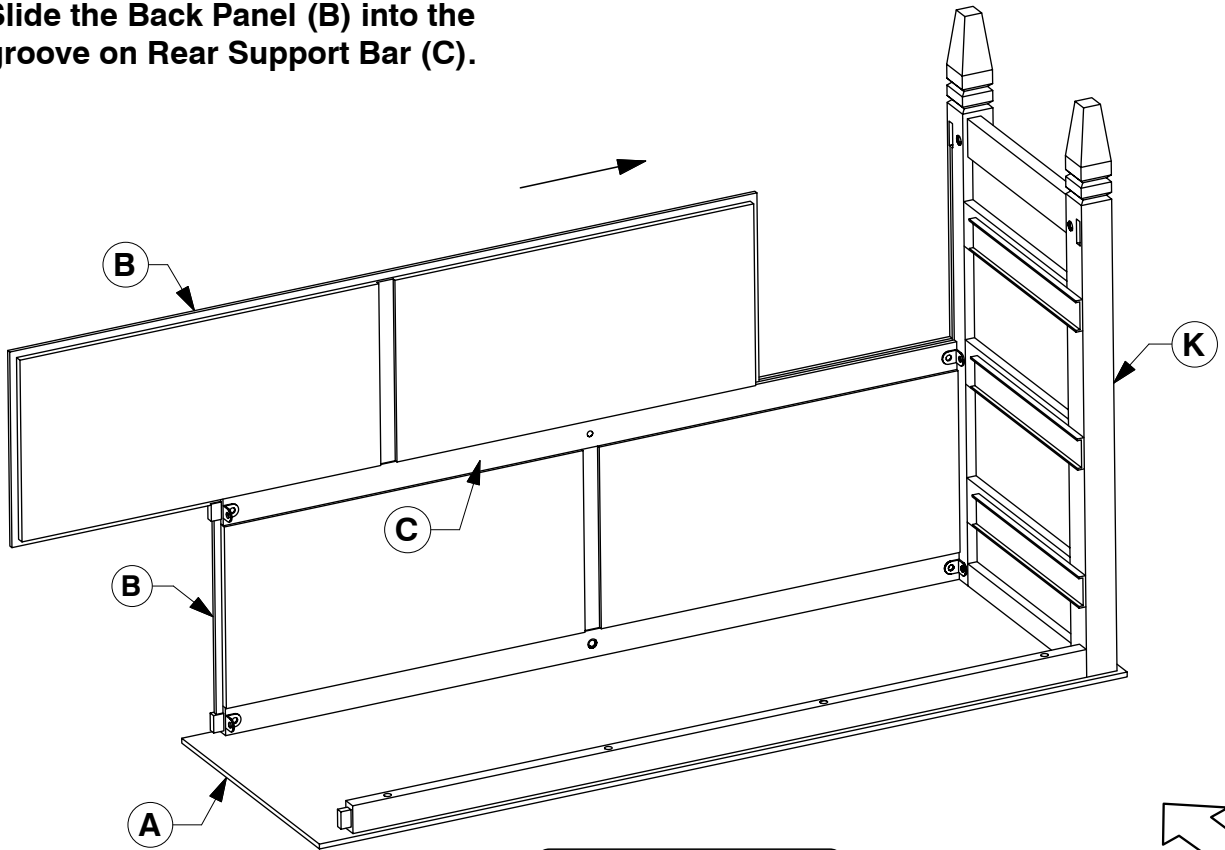


0038 6 Drawer Dresser

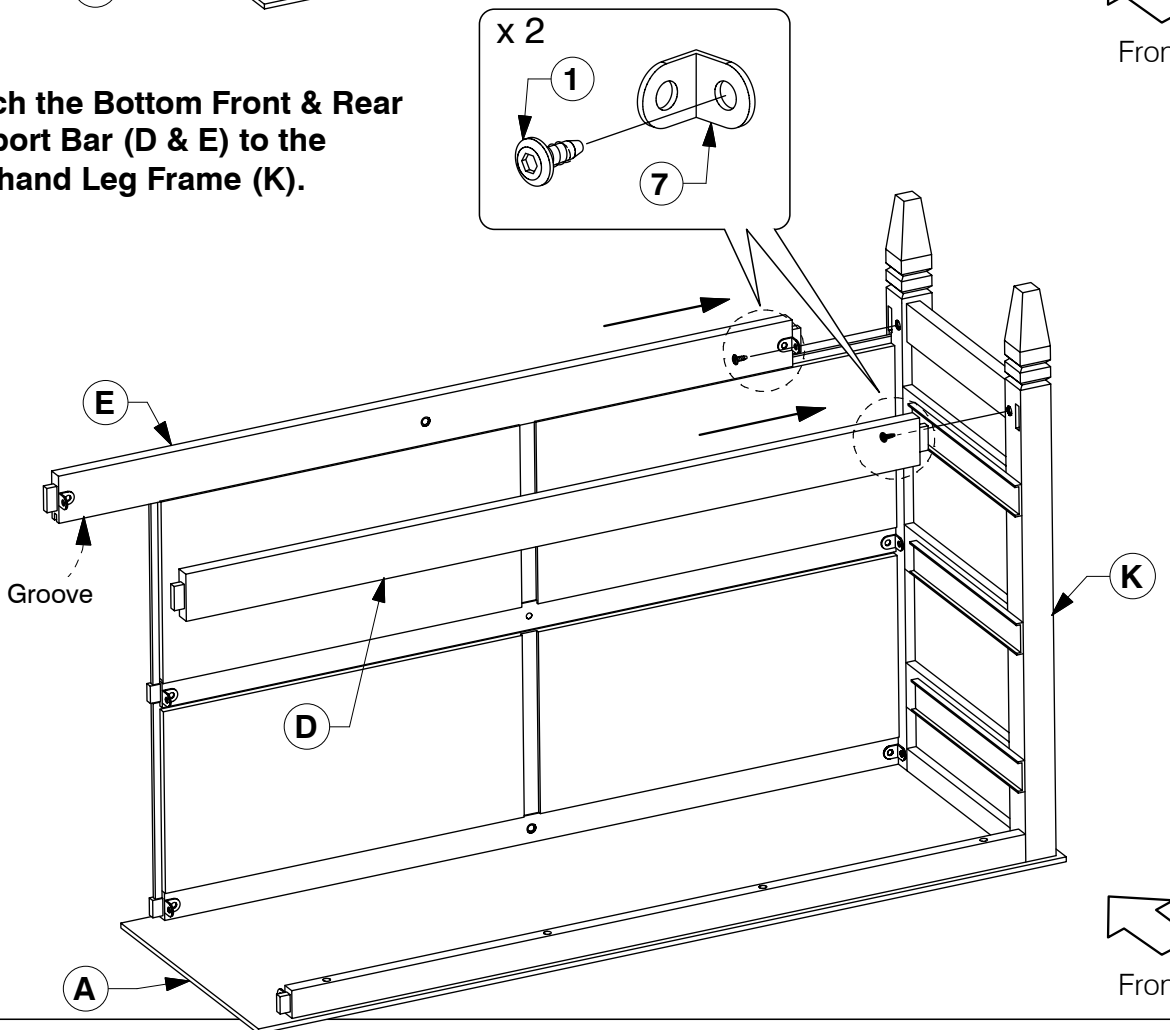
Assembly Instructions

WII-0120

- 12** Slide the Back Panel (B) into the groove on Rear Support Bar (C).



- 13** Attach the Bottom Front & Rear Support Bar (D & E) to the Left hand Leg Frame (K).

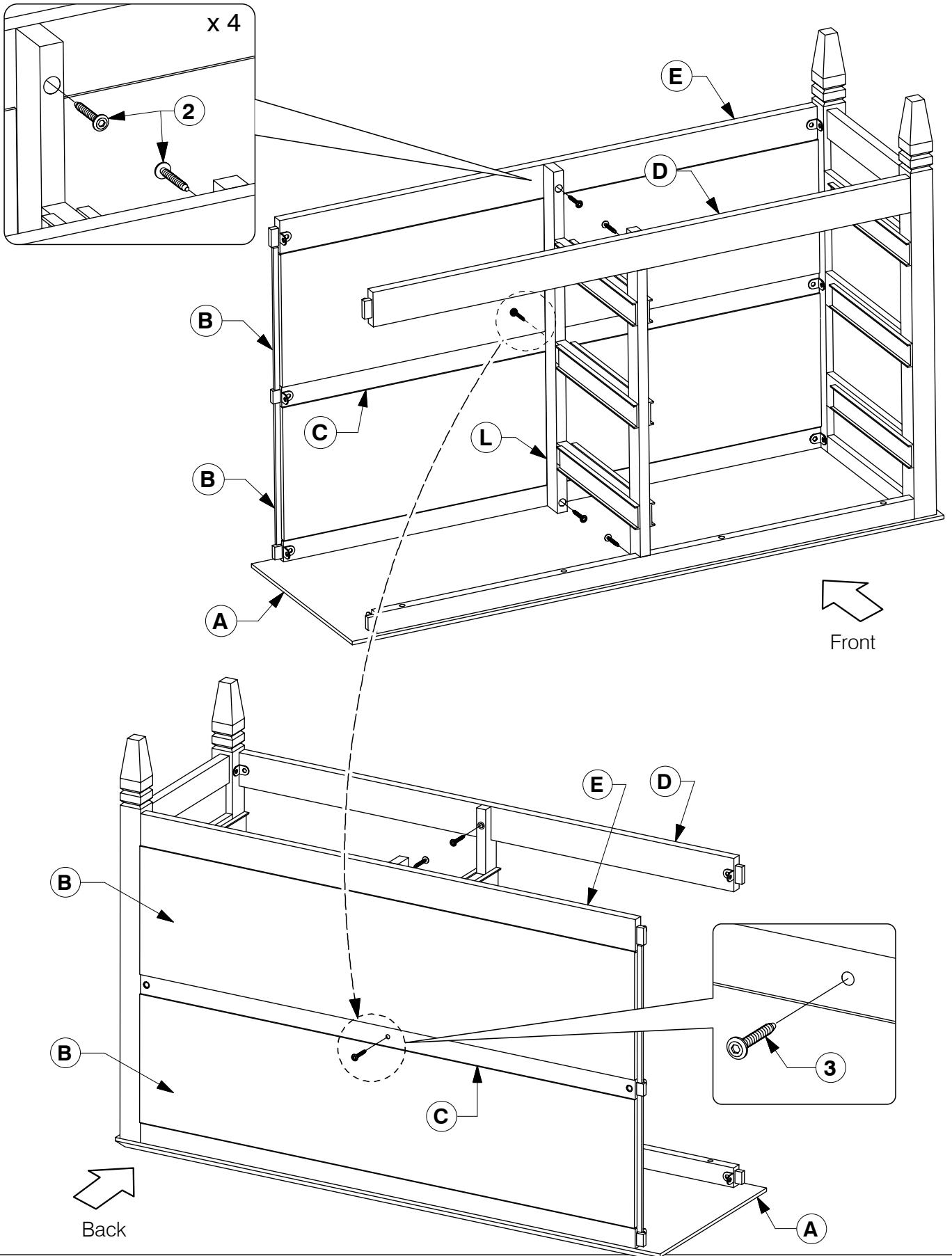


0038 6 Drawer Dresser

Assembly Instructions

WII-0120

14 Fit the Center Frame (L) to the frame.

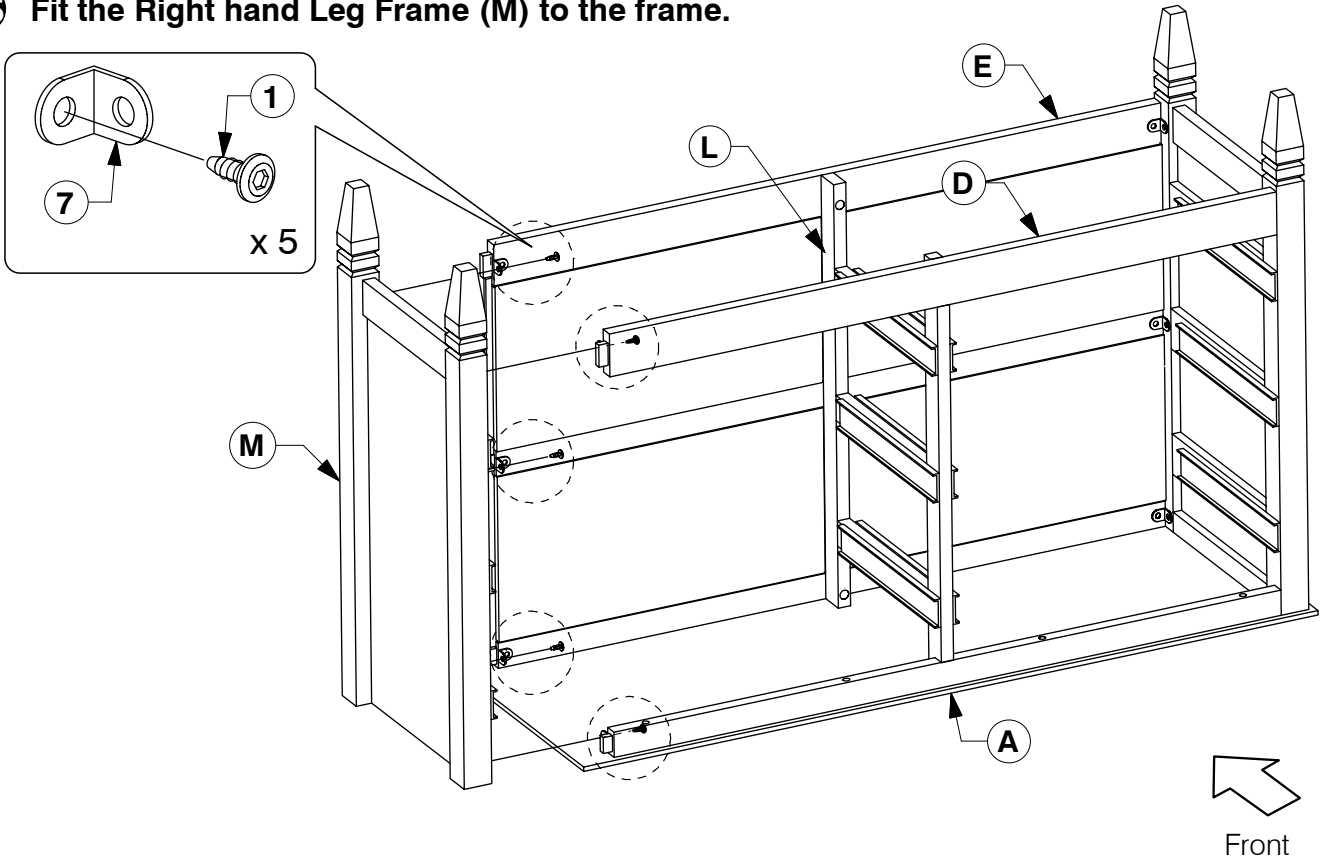


0038 6 Drawer Dresser

Assembly Instructions

WII-0120

15 Fit the Right hand Leg Frame (M) to the frame.



16 Fit the Handle to the Drawer face (F).
Finally, fit the assembled Drawer.

