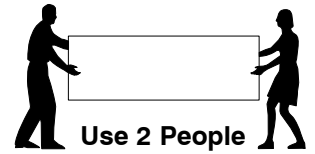
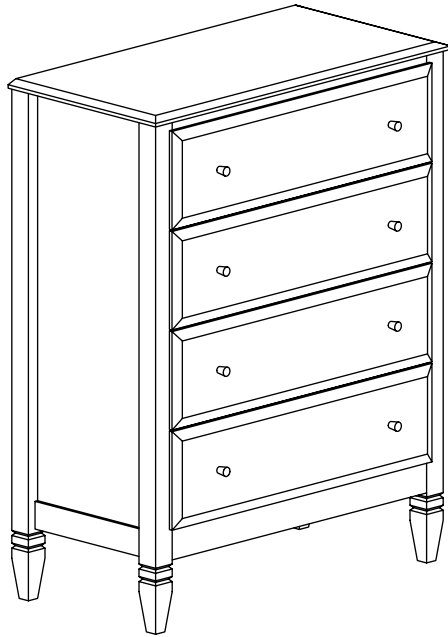


0038 4 Drawer Chest

Assembly Instructions

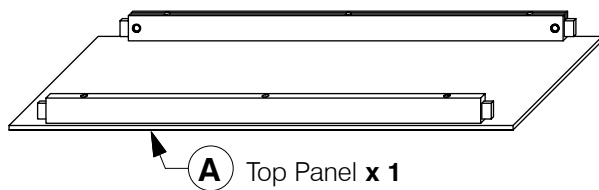
WII-0120



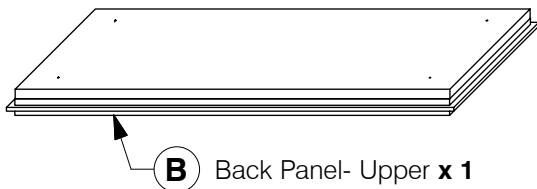
Note: Do not assemble using power tools. This can cause the bolts to be overtightened

1 Parts List

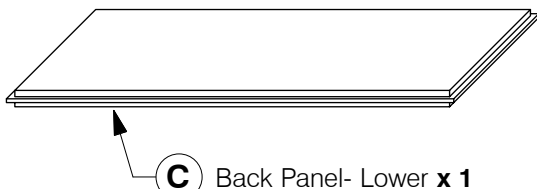
Parts in Box A:



A Top Panel x 1



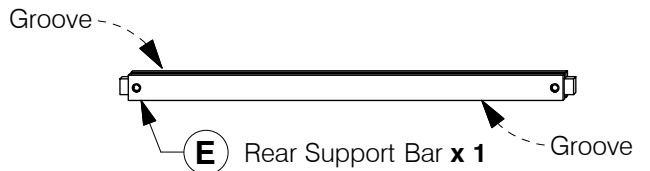
B Back Panel- Upper x 1



C Back Panel- Lower x 1



D Front Support Bar x 1



E Rear Support Bar x 1



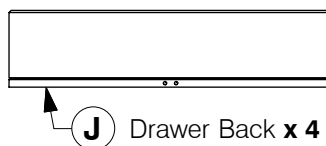
F Bottom Front Support Bar x 1



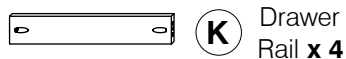
G Bottom Rear Support Bar x 1



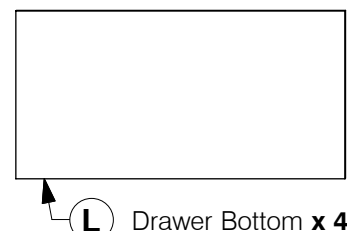
H Drawer Face x 4



J Drawer Back x 4



K Drawer Rail x 4



L Drawer Bottom x 4

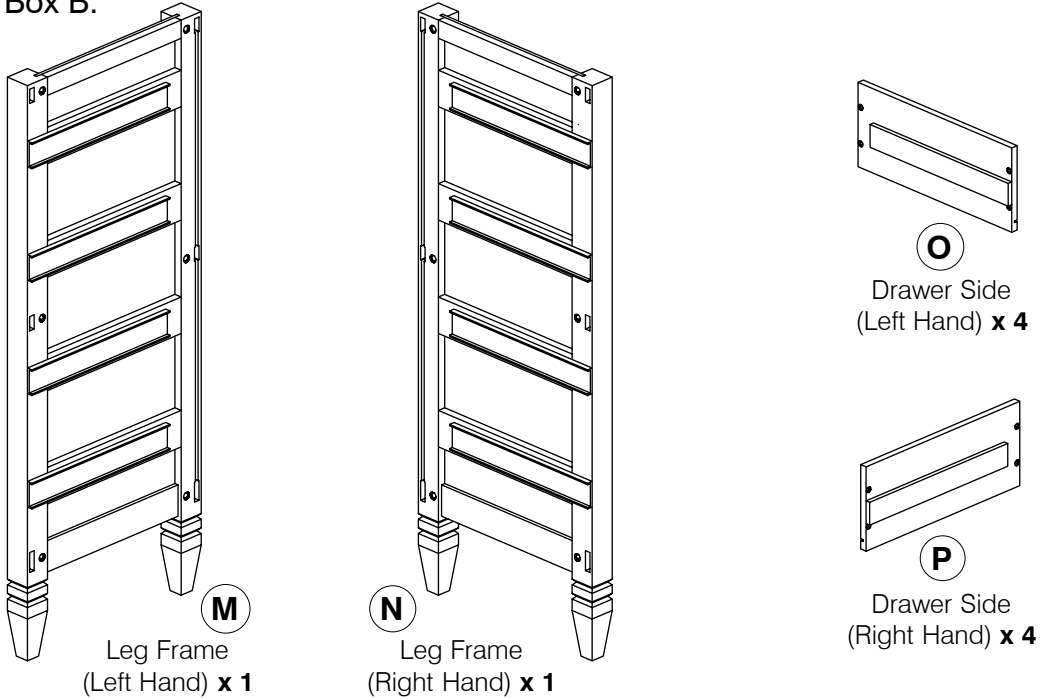
0038 4 Drawer Chest

Assembly Instructions

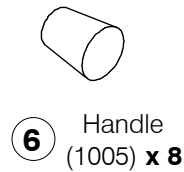
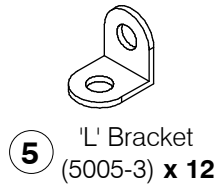
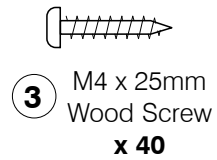
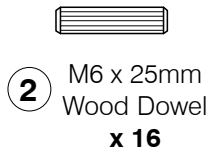
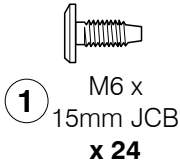
WII-0120

1 Parts List

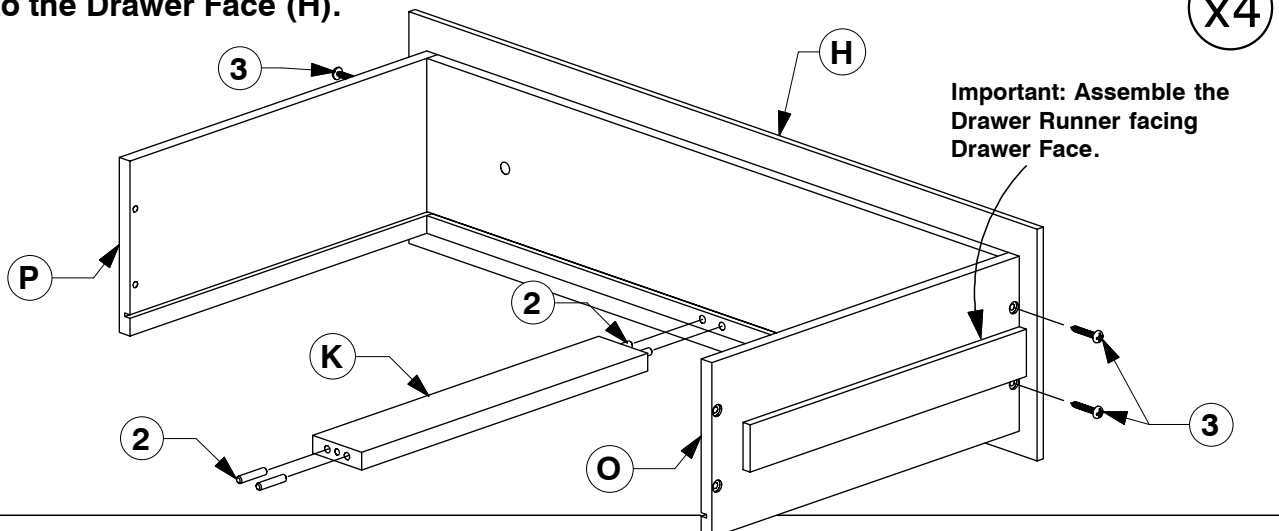
Parts in Box B:



2 Hardware List



3 Assemble the Drawer Sides (O & P) & Drawer Rail (K) to the Drawer Face (H).



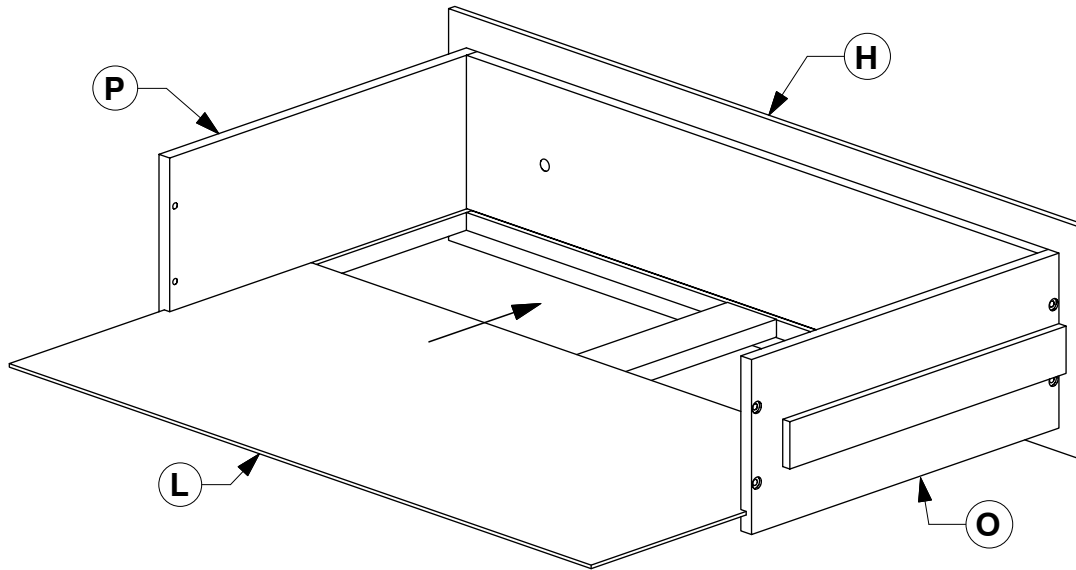
0038 4 Drawer Chest

Assembly Instructions

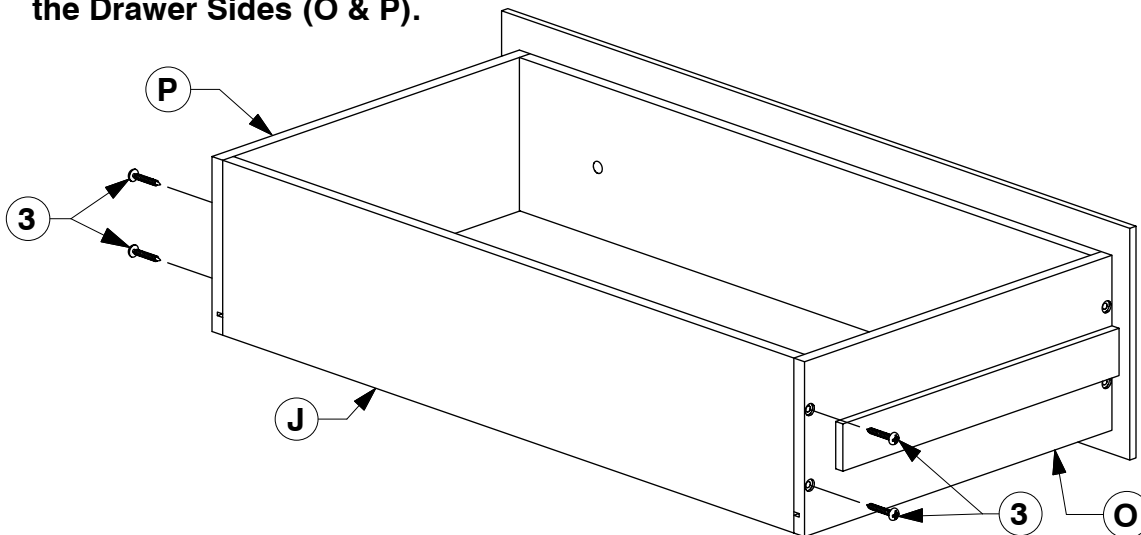
WII-0120

- 4** Slide the Drawer Bottom (L) into the groove on the Drawer Sides (O & P).

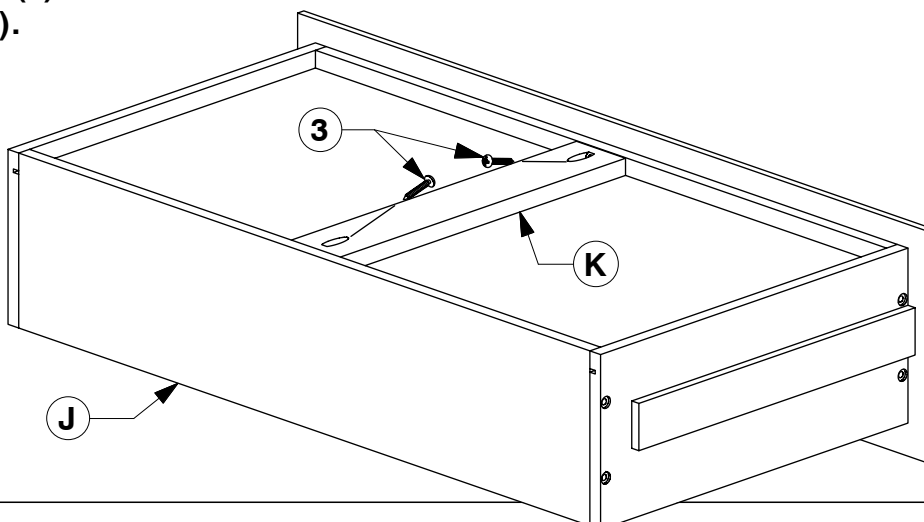
x4



- 5** Assemble the Drawer Back (J) to the Drawer Sides (O & P).



- 6** Turn the Drawer over to fit angled 25mm Wood screws (3) to the Drawer Rail (K).

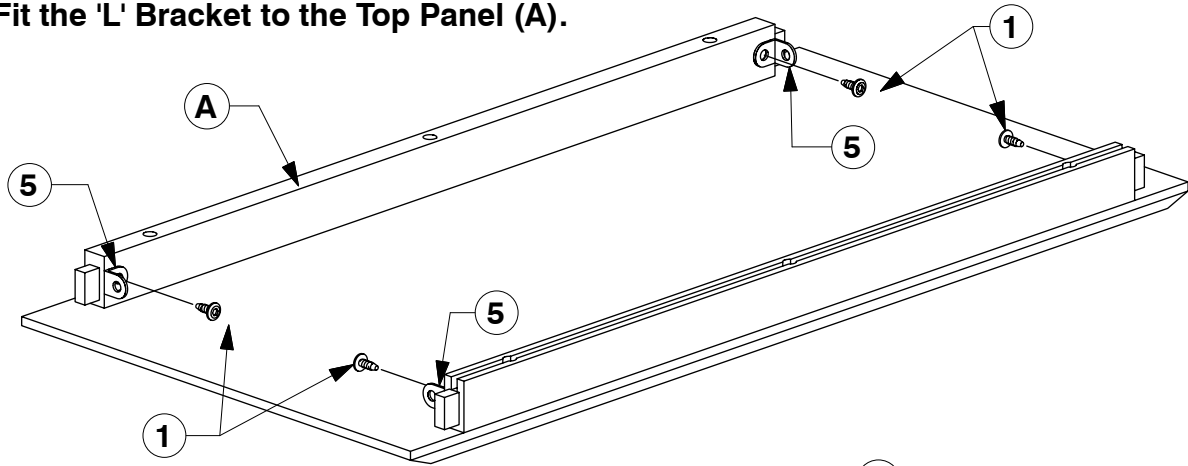


0038 4 Drawer Chest

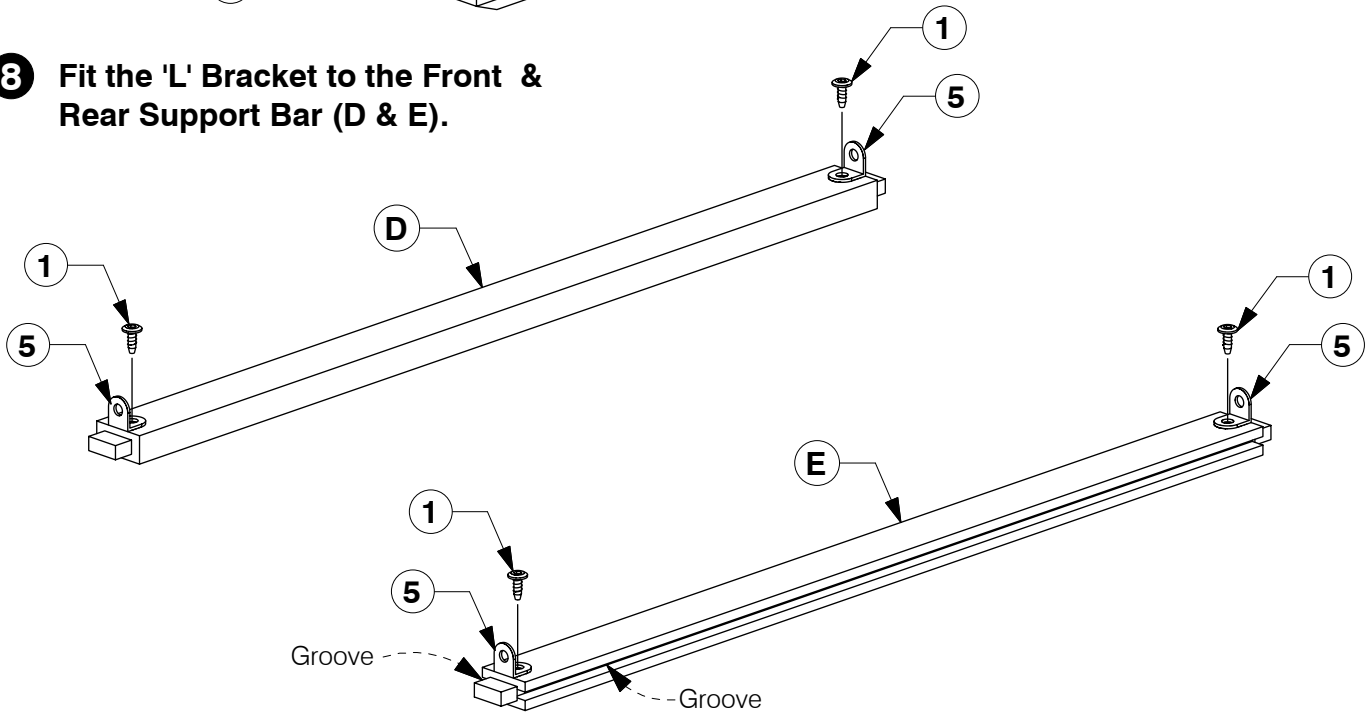
Assembly Instructions

WII-0120

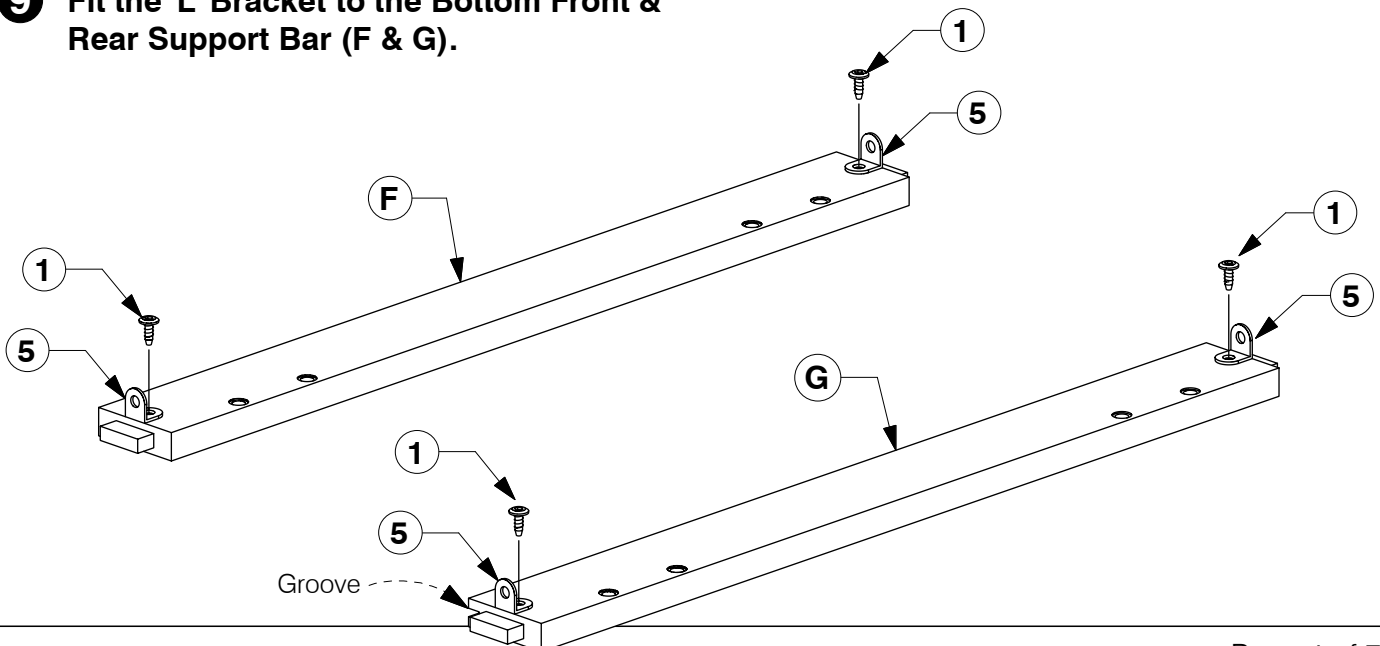
7 Fit the 'L' Bracket to the Top Panel (A).



8 Fit the 'L' Bracket to the Front & Rear Support Bar (D & E).



9 Fit the 'L' Bracket to the Bottom Front & Rear Support Bar (F & G).

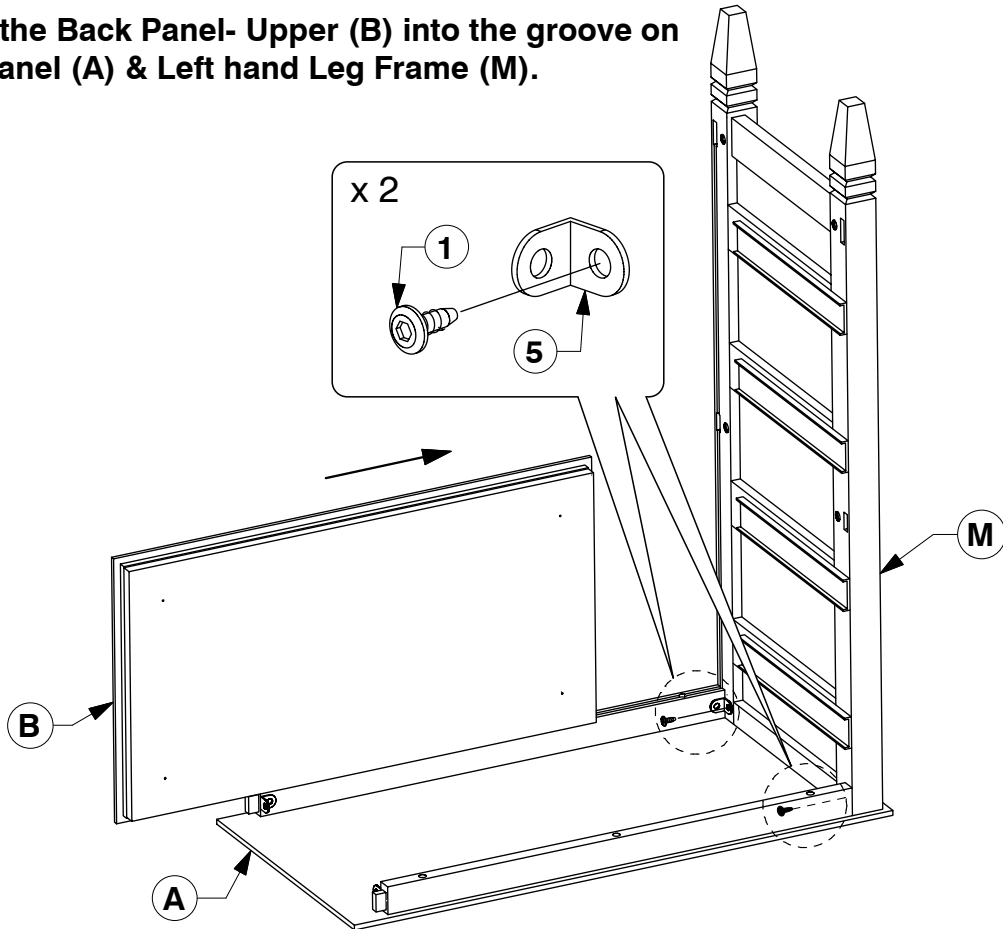


0038 4 Drawer Chest

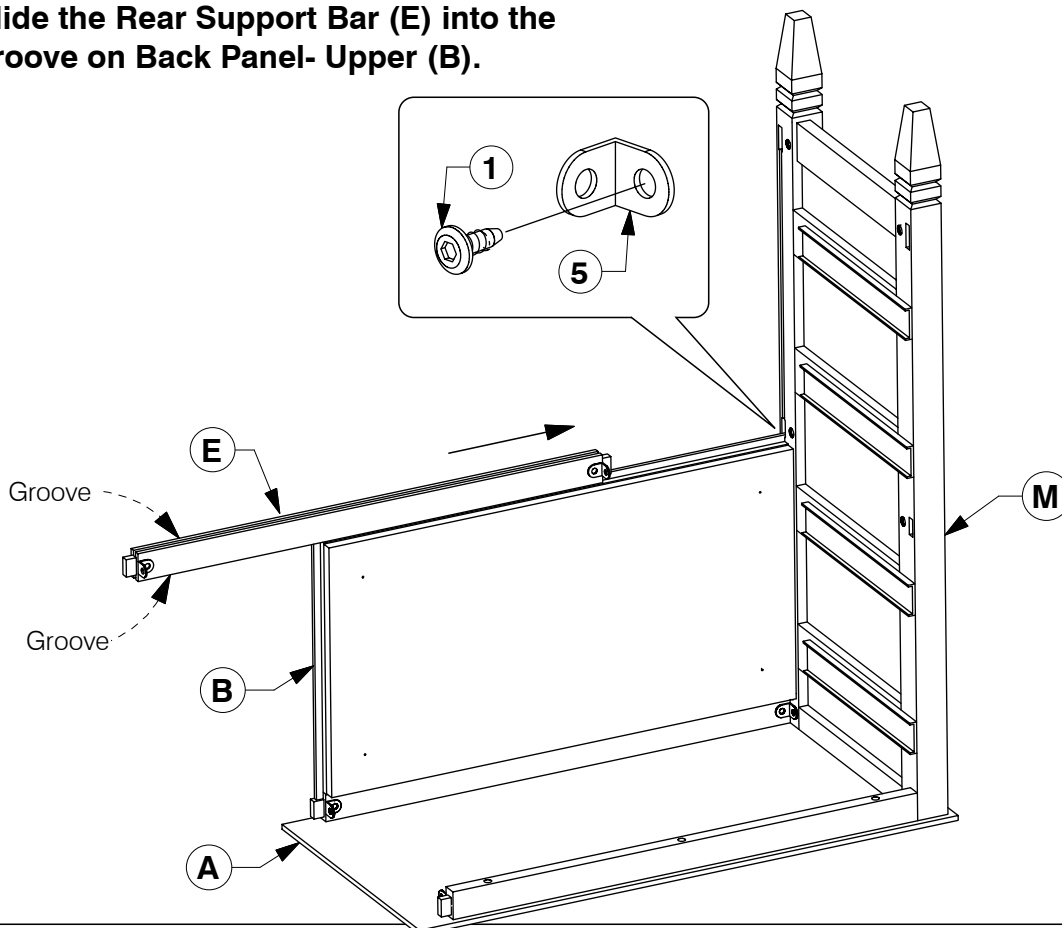
Assembly Instructions

WII-0120

- 10** Slide the Back Panel- Upper (B) into the groove on Top Panel (A) & Left hand Leg Frame (M).



- 11** Slide the Rear Support Bar (E) into the groove on Back Panel- Upper (B).

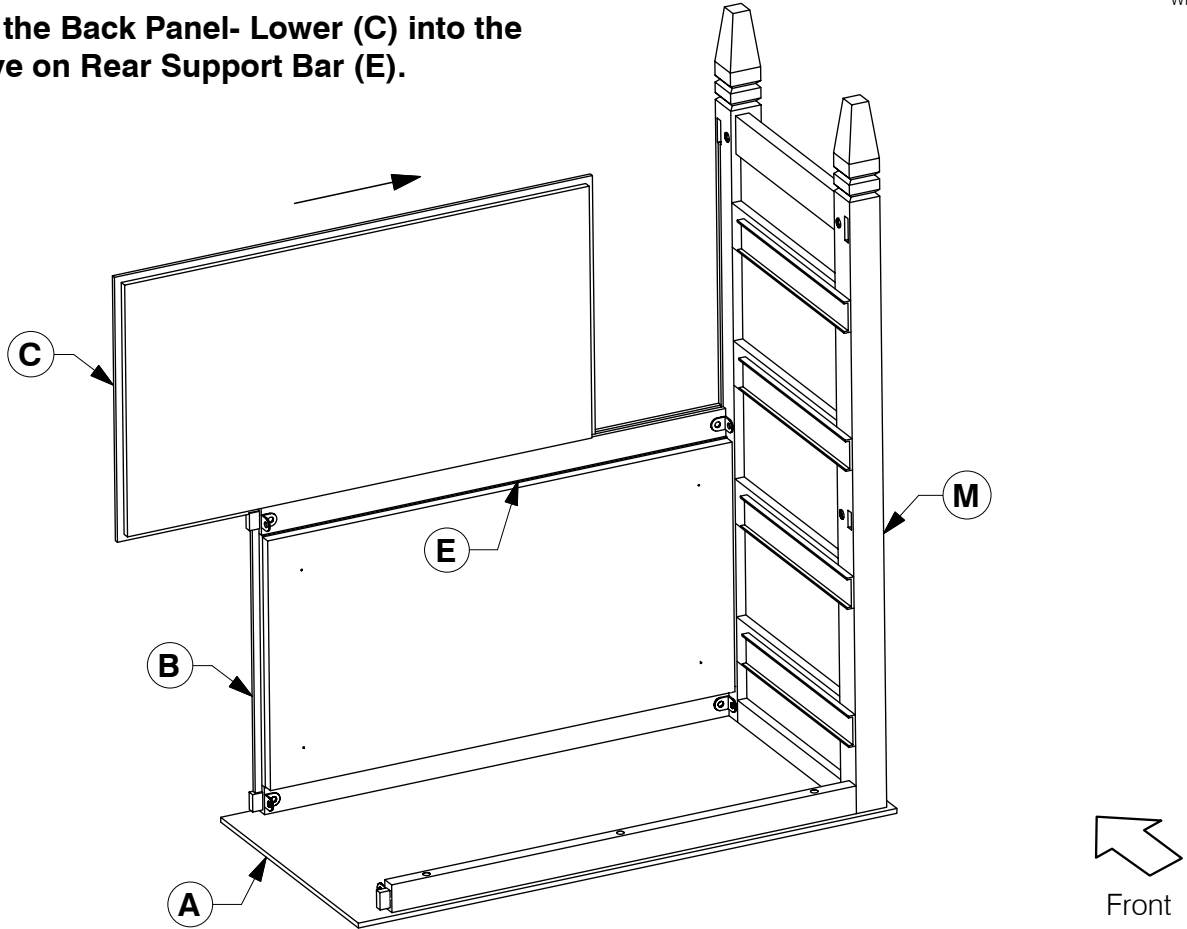


0038 4 Drawer Chest

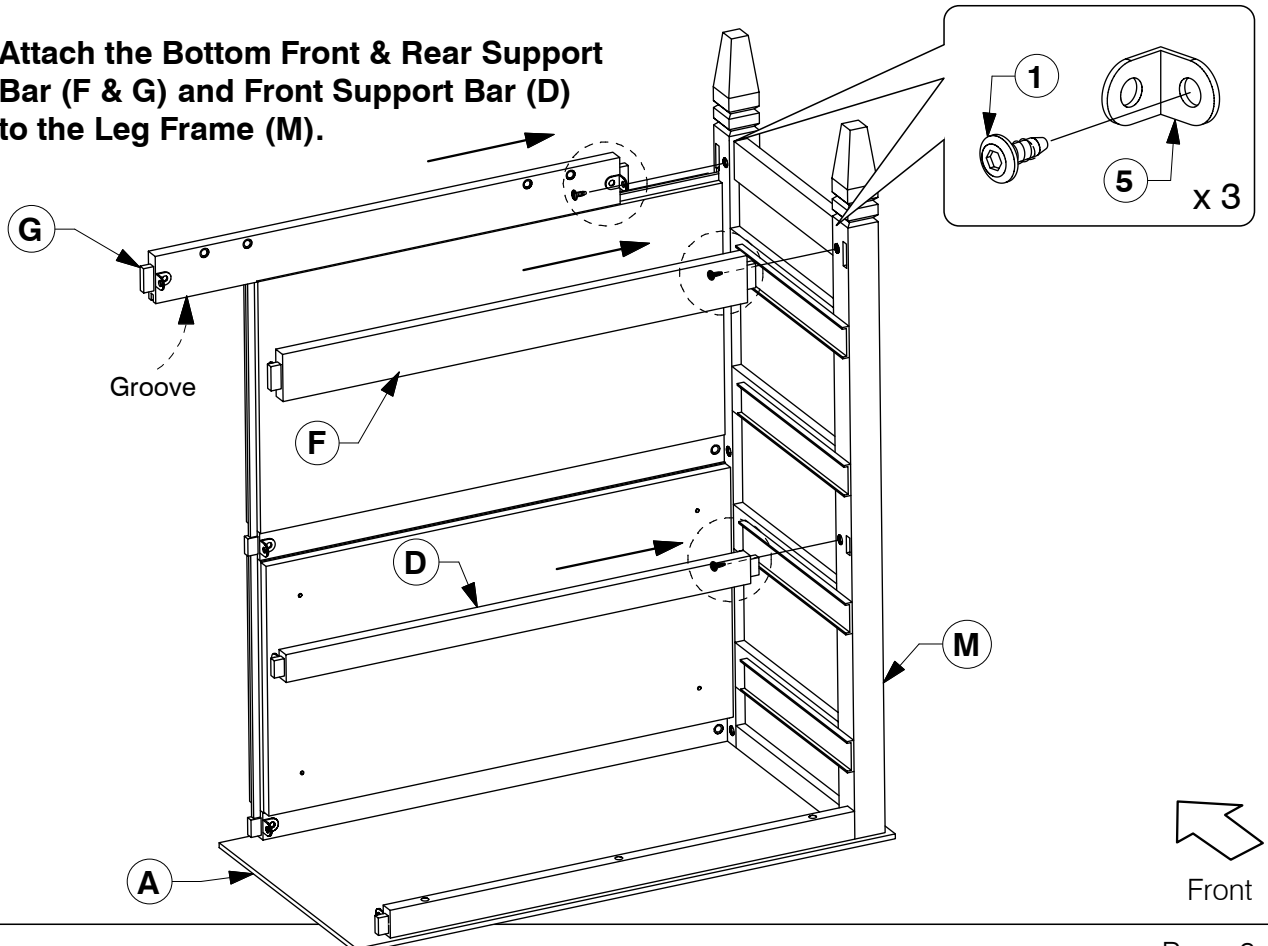
Assembly Instructions

WII-0120

- 12** Slide the Back Panel- Lower (C) into the groove on Rear Support Bar (E).



- 13** Attach the Bottom Front & Rear Support Bar (F & G) and Front Support Bar (D) to the Leg Frame (M).

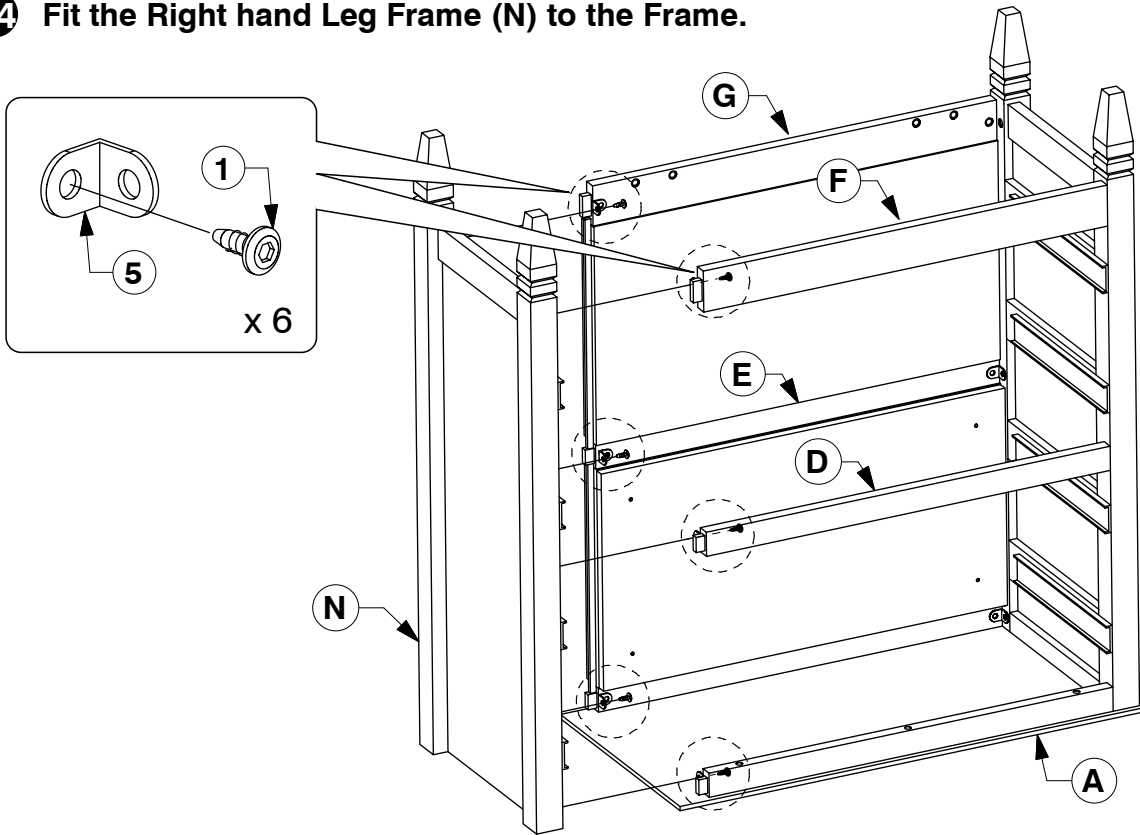


0038 4 Drawer Chest

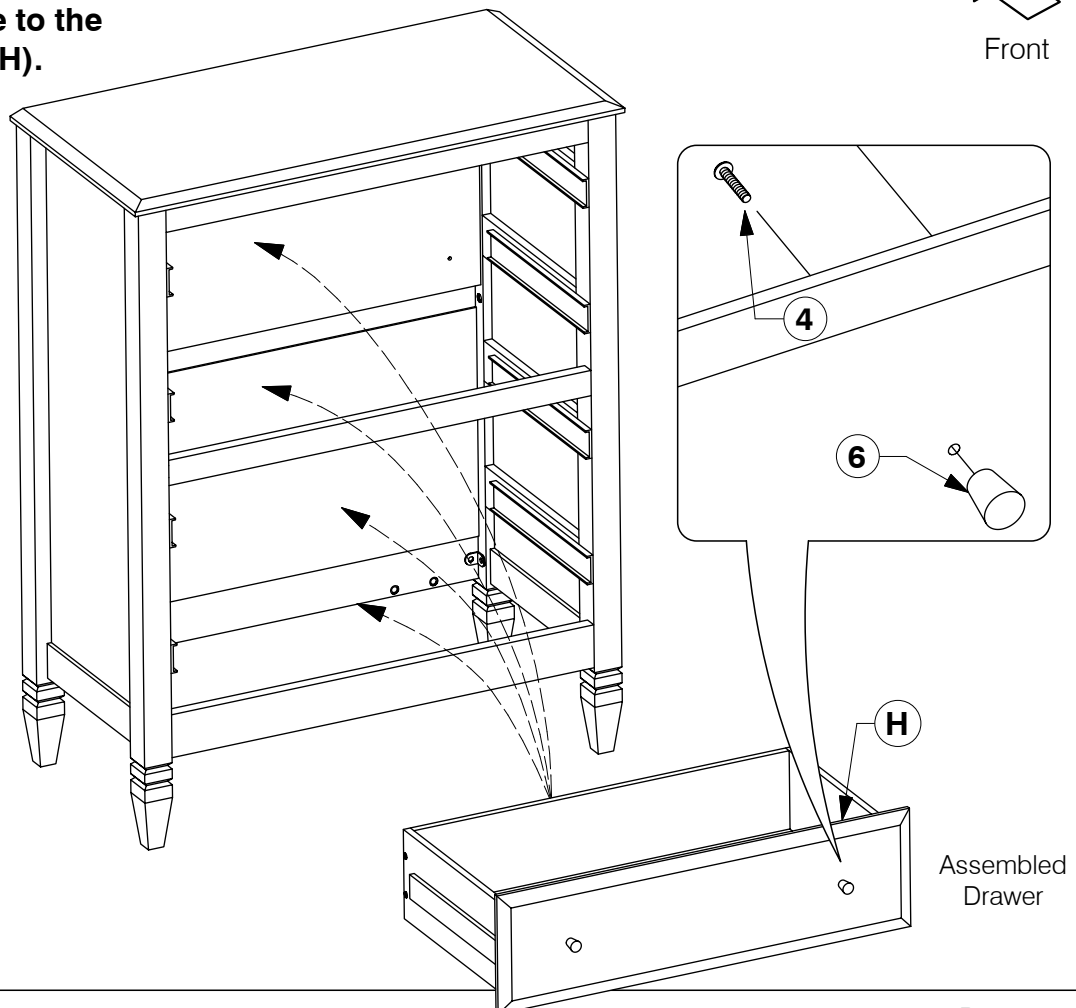
Assembly Instructions

WII-0120

14 Fit the Right hand Leg Frame (N) to the Frame.



15 Fit the Handle to the Drawer face (H). Finally, fit the assembled Drawer.



Assembled Drawer