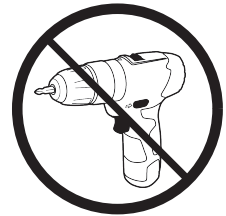
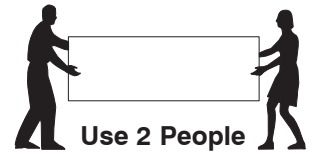


0036-2 Day Bed

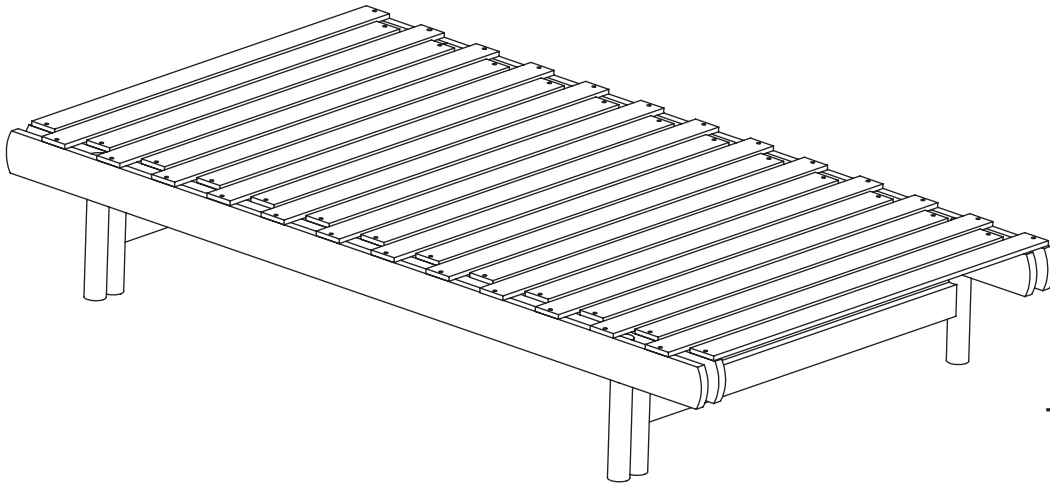
Assembly Instructions

WII-0523

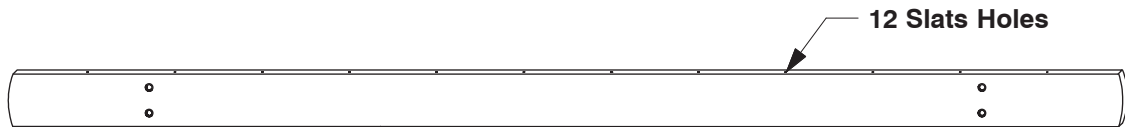
1 Assembled View



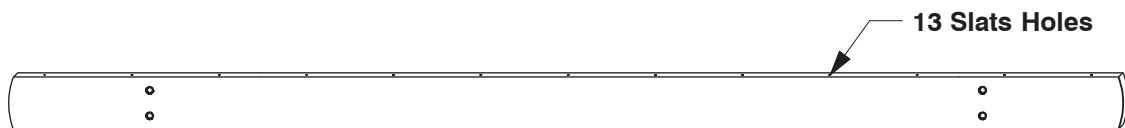
Note: Do not assemble using power tools. This can cause the bolts to be overtightened



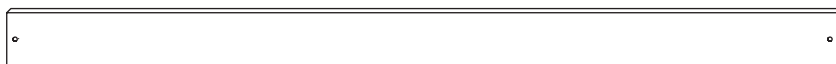
2 Parts List



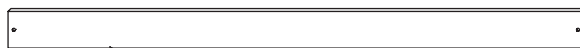
A Side Rail x 2



B Pull Out Bar x 2



C Support Bar x 2



D Bed Slat x 25



E Post x 4



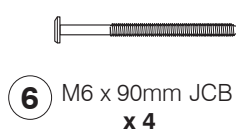
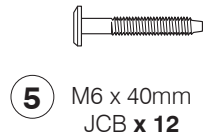
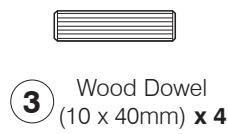
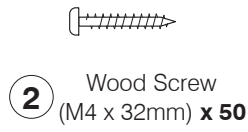
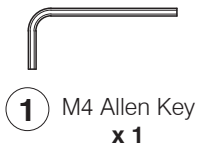
F Pull Out Front Leg x 2

0036-2 Day Bed

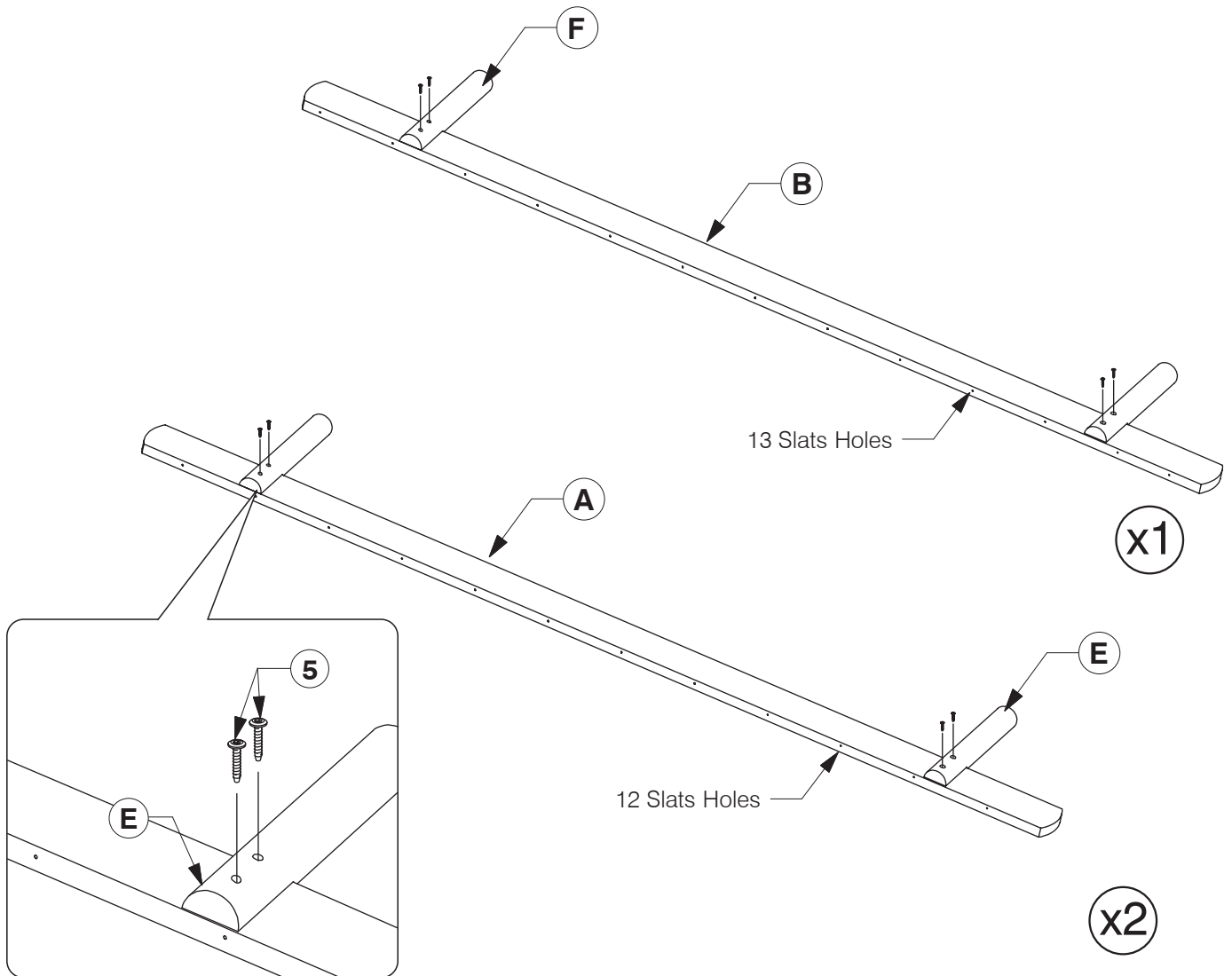
Assembly Instructions

WII-0523

3 Hardware List



4 Fit the Post (E) / Pull Out Front Leg (F) to the Side Rail (A) / Pull Out Bar (B).



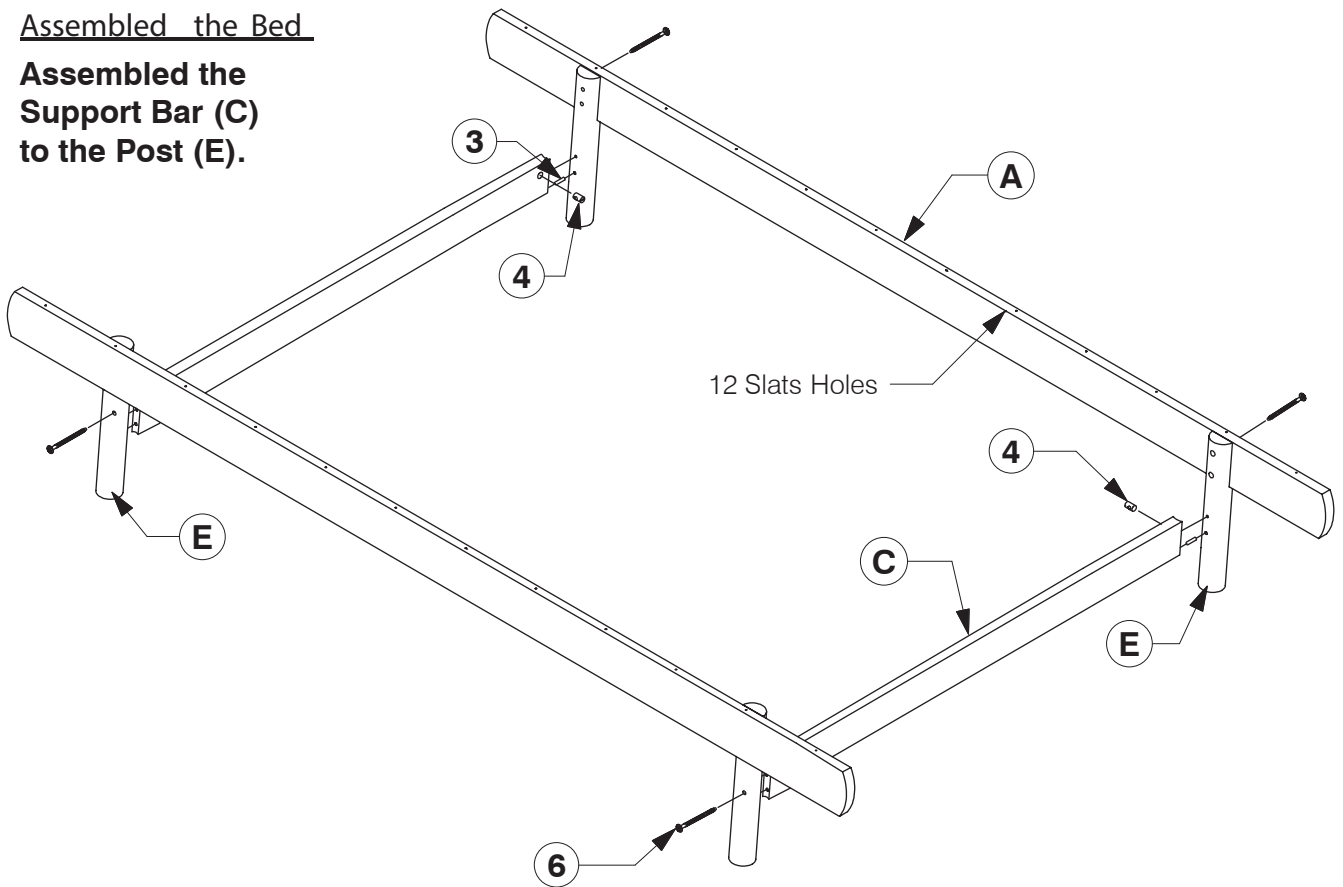
0036-2 Day Bed

Assembly Instructions

W11-0523

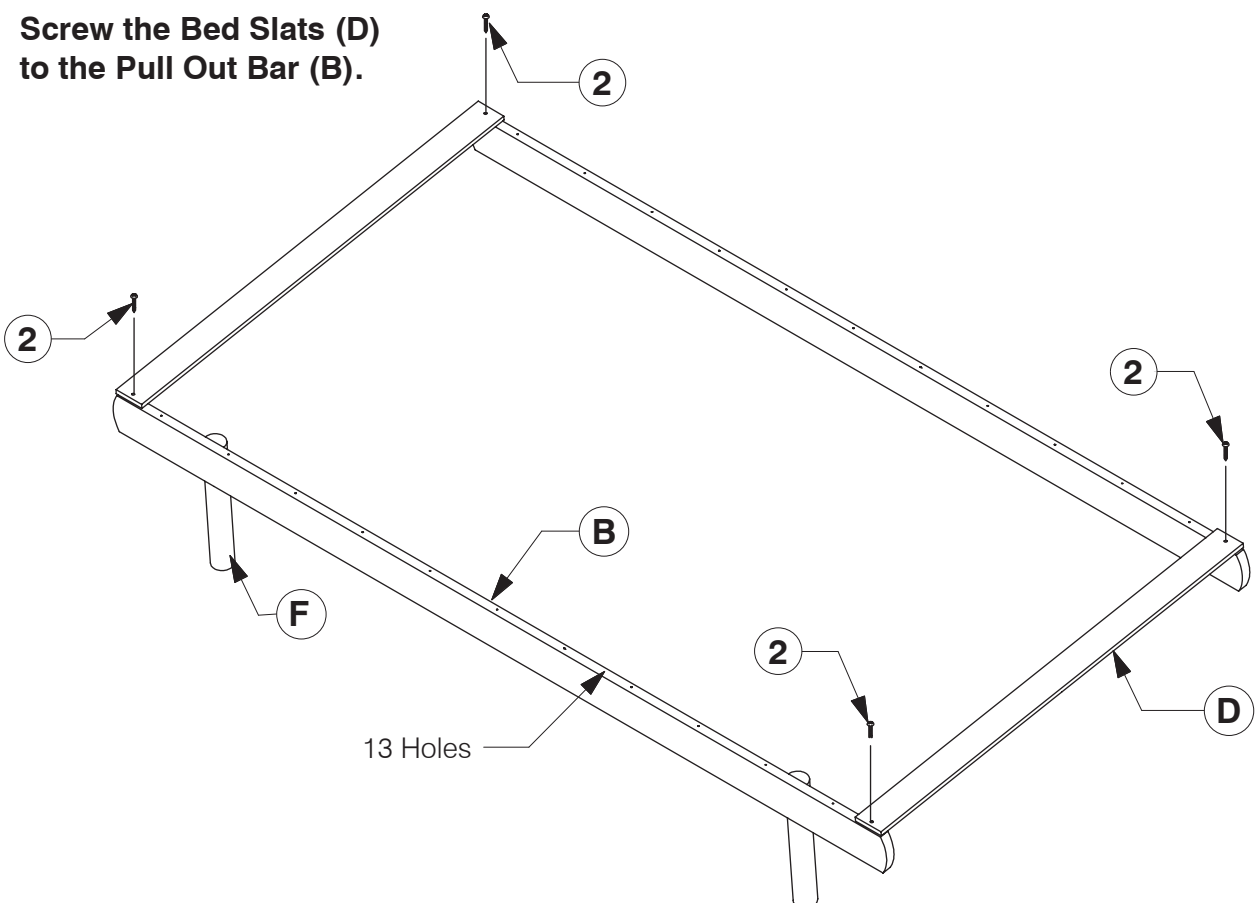
Assembled the Bed

- 5** Assembled the Support Bar (C) to the Post (E).



Assembled the Pull Out Bed

- 6** Screw the Bed Slats (D) to the Pull Out Bar (B).

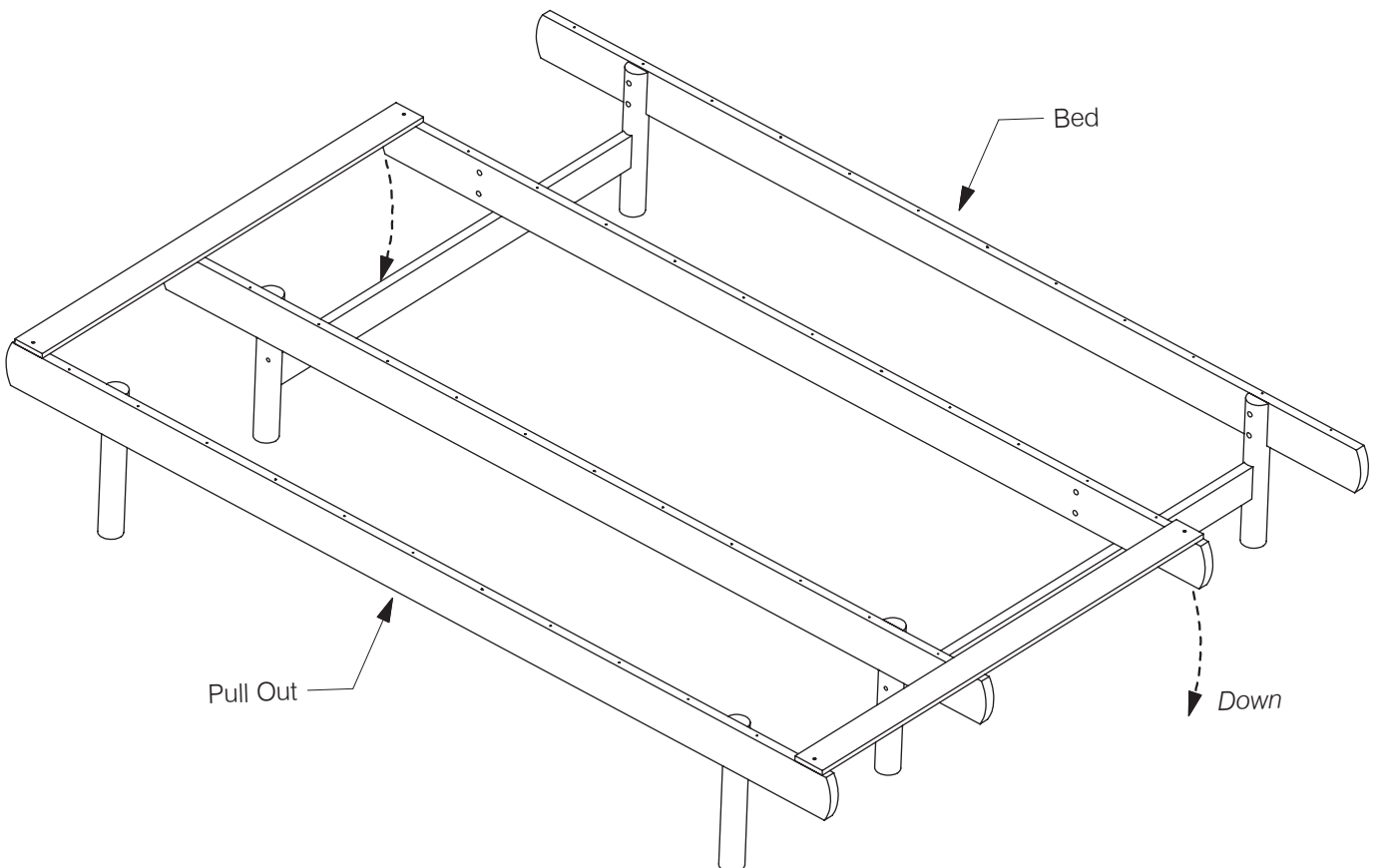
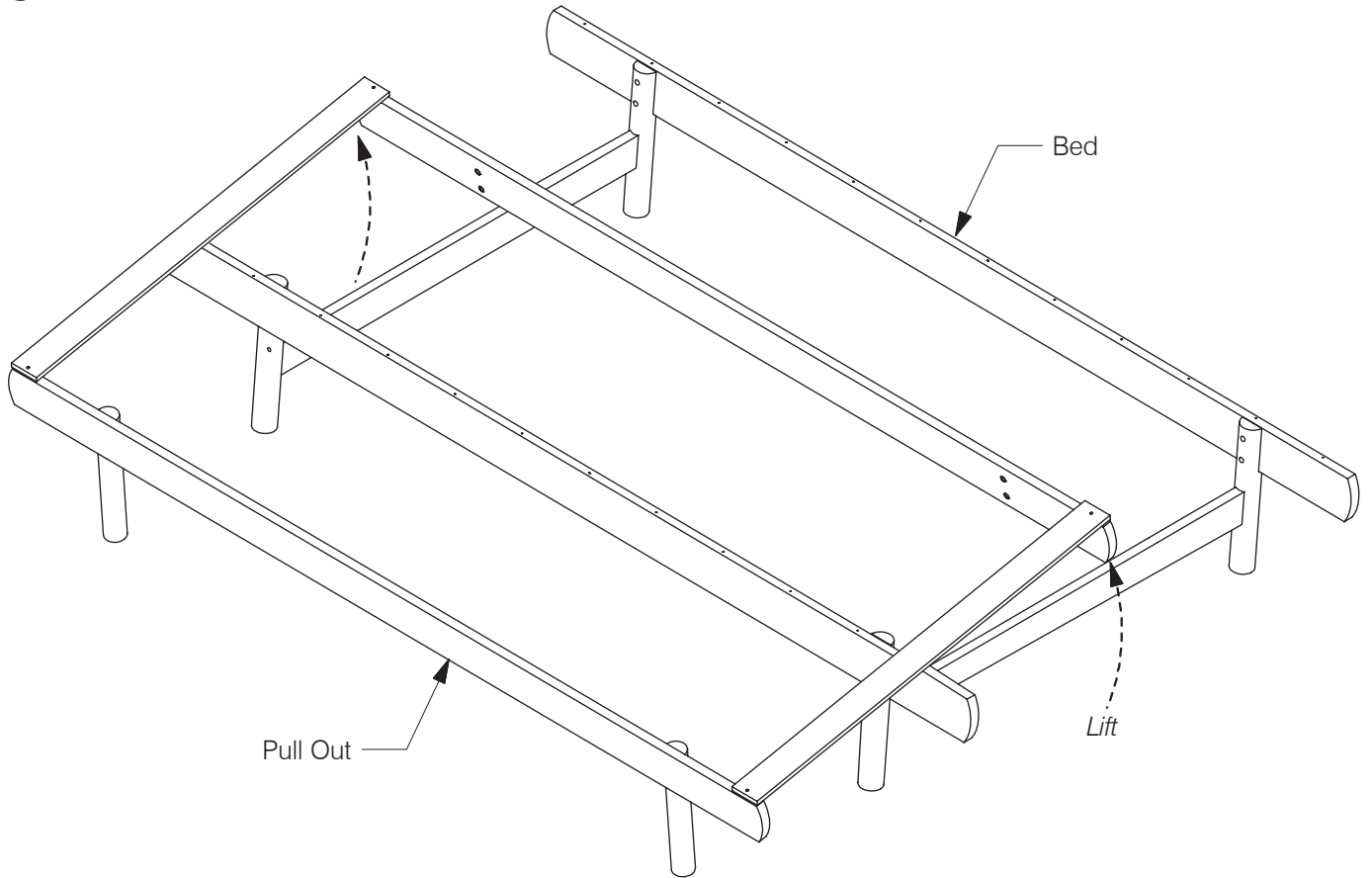


0036-2 Day Bed

Assembly Instructions

WI1-0523

7 Fit Pull Out Bed

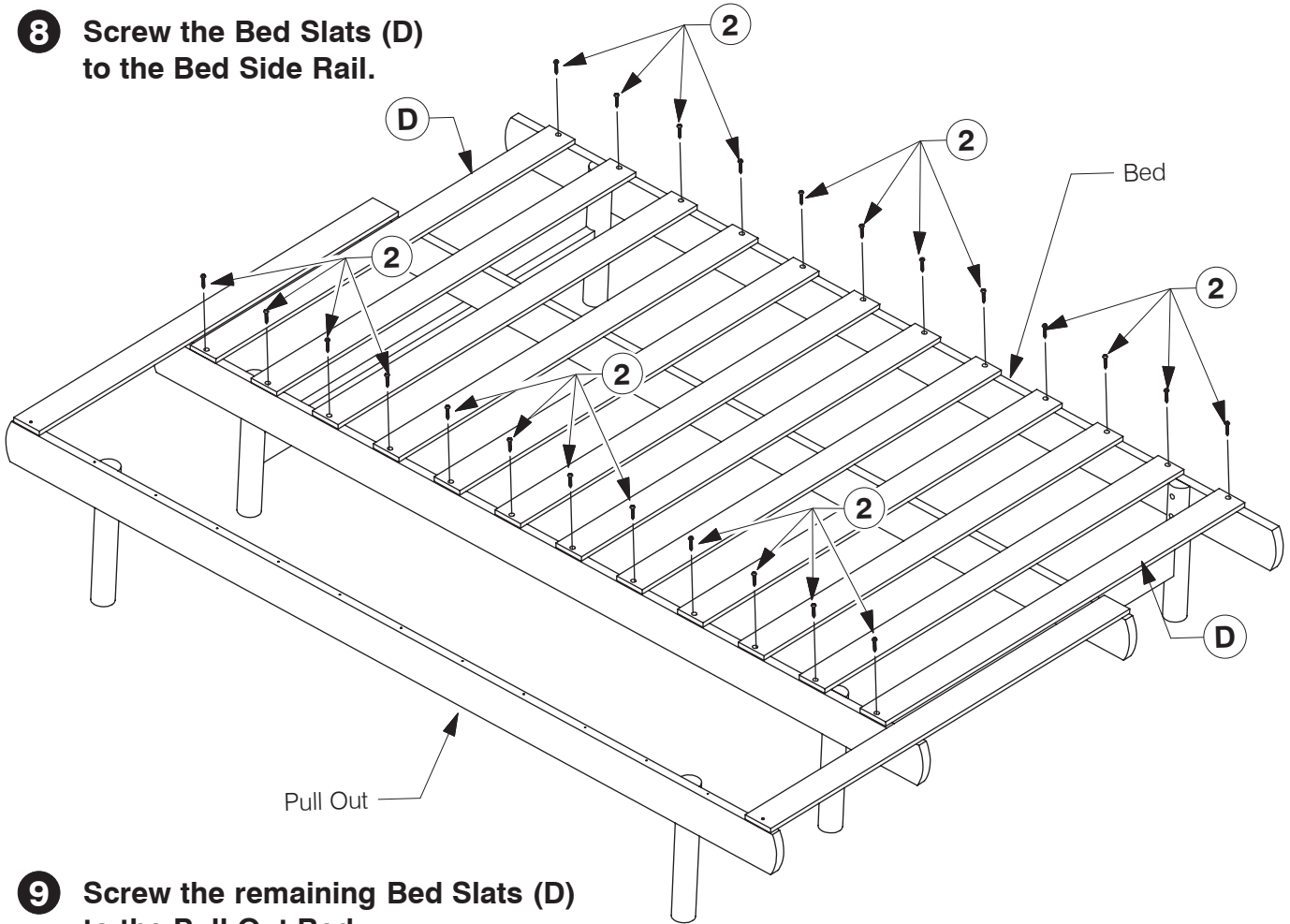


0036-2 Day Bed

Assembly Instructions

WII-0523

- 8** Screw the Bed Slats (D) to the Bed Side Rail.



- 9** Screw the remaining Bed Slats (D) to the Pull Out Bed.

