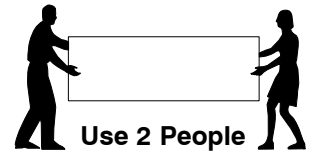
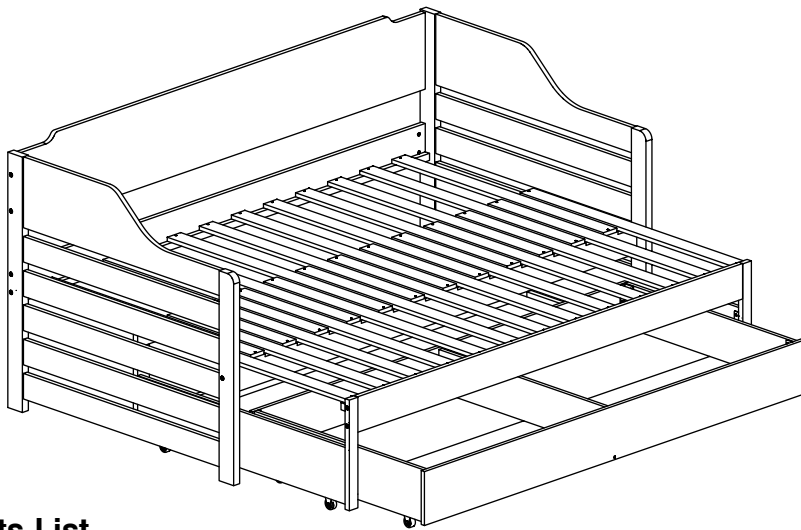


0033-1 Daybed

Assembly Instructions

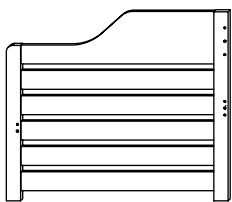
W11-1119



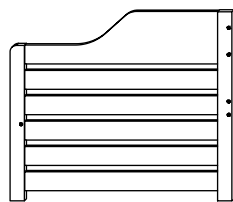
Note: Do not assemble using power tools. This can cause the bolts to be overtightened

1 Parts List

Parts in Box A:

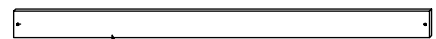


A Headboard Panel (Left Hand) x 1



B Headboard Panel (Right Hand) x 1

Parts in Box C:



S Bed Slat x 25

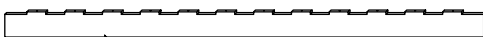
Parts in Box B:



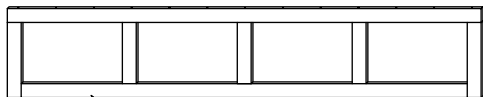
C Back Panel x 1



D Rear Side Rail x 1



E Front Side Rail x 1



F Pull Out Rear Panel x 1



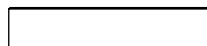
G Pull Out Front Rail x 1



H Drawer Front Panel (Longer) x 1



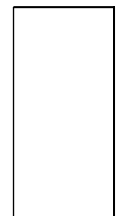
J Drawer Rear Panel (Shorter) x 1



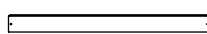
K Trundle Drawer Divider x 1



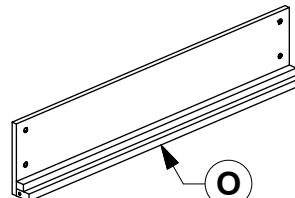
L Trundle Drawer Center Support x 1



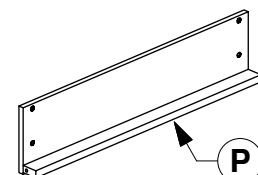
M Pull Out Drawer Bottom Panel x 4



N Pull Out Drawer Support Bar x 6



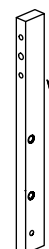
O Pull Out Side Panel x 2



P Trundle Drawer Side Panel x 2



Q Pull Out Front Leg (Left Hand) x 1



R Pull Out Front Leg (Right Hand) x 1

0033-1 Daybed

Assembly Instructions

WI1-1119

2 Hardware List



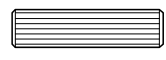
1 M6 x 70mm JCB
x 14



2 M6 x 50mm JCB
x 2



3 M6 x 15mm JCB
x 32



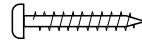
4 Wood Dowel
(10 x 40mm) x 8



5 Wood Dowel
(8 x 30mm) x 8



6 Barrel Nut
x 16



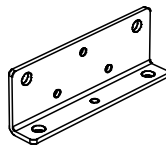
7 Wood Screw
(M4 x 32mm) x 62



8 Wood Screw
(M4 x 16mm) x 64



9 Wheels
x 8

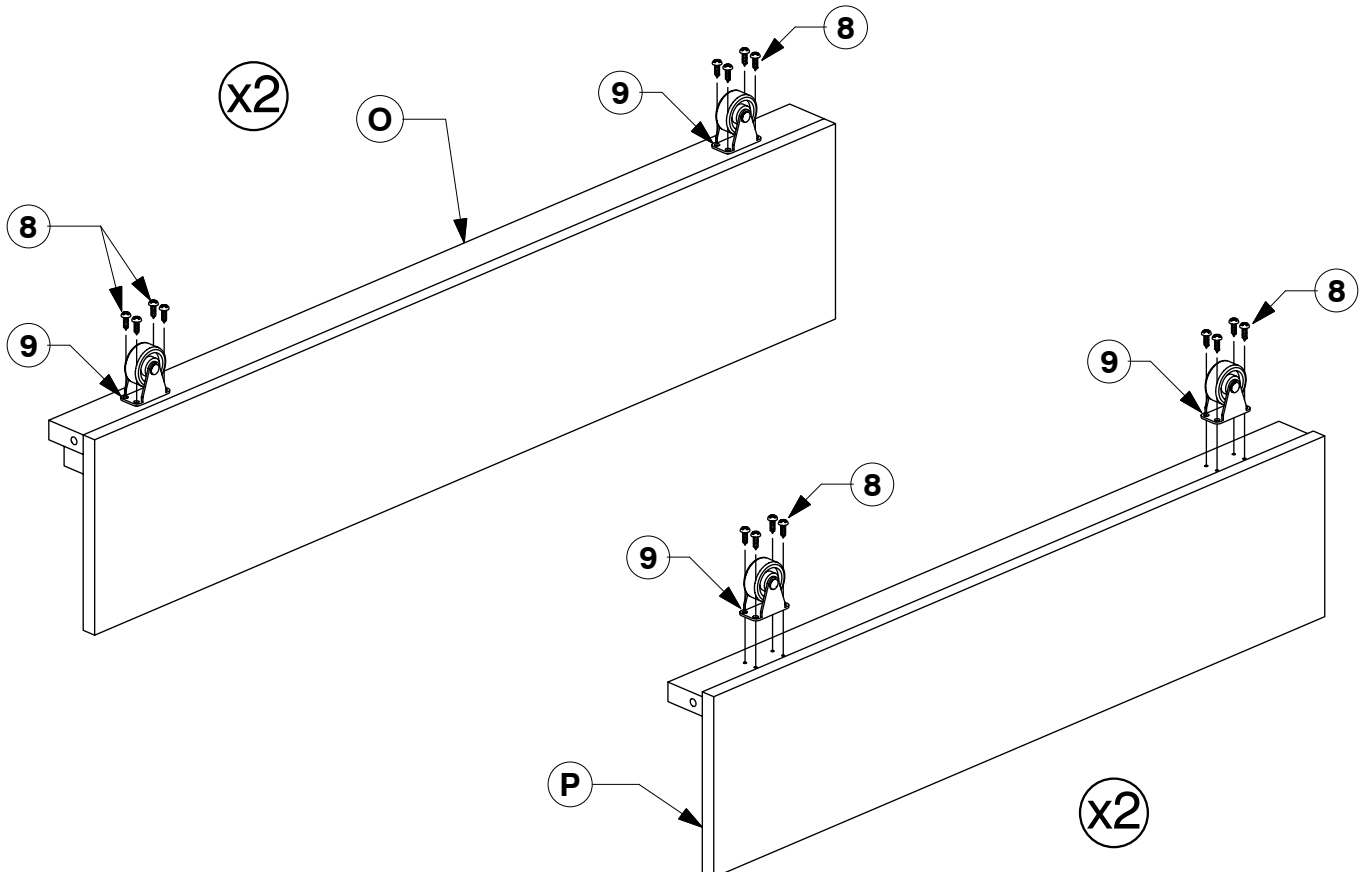


10 Metal Bracket
x 8



11 Allen Key
x 1

3 Fit the Wheels (9) to the bottom of the Pull Out & Trundle Side Panel (O & P) using Wood Screw 16mm (8).

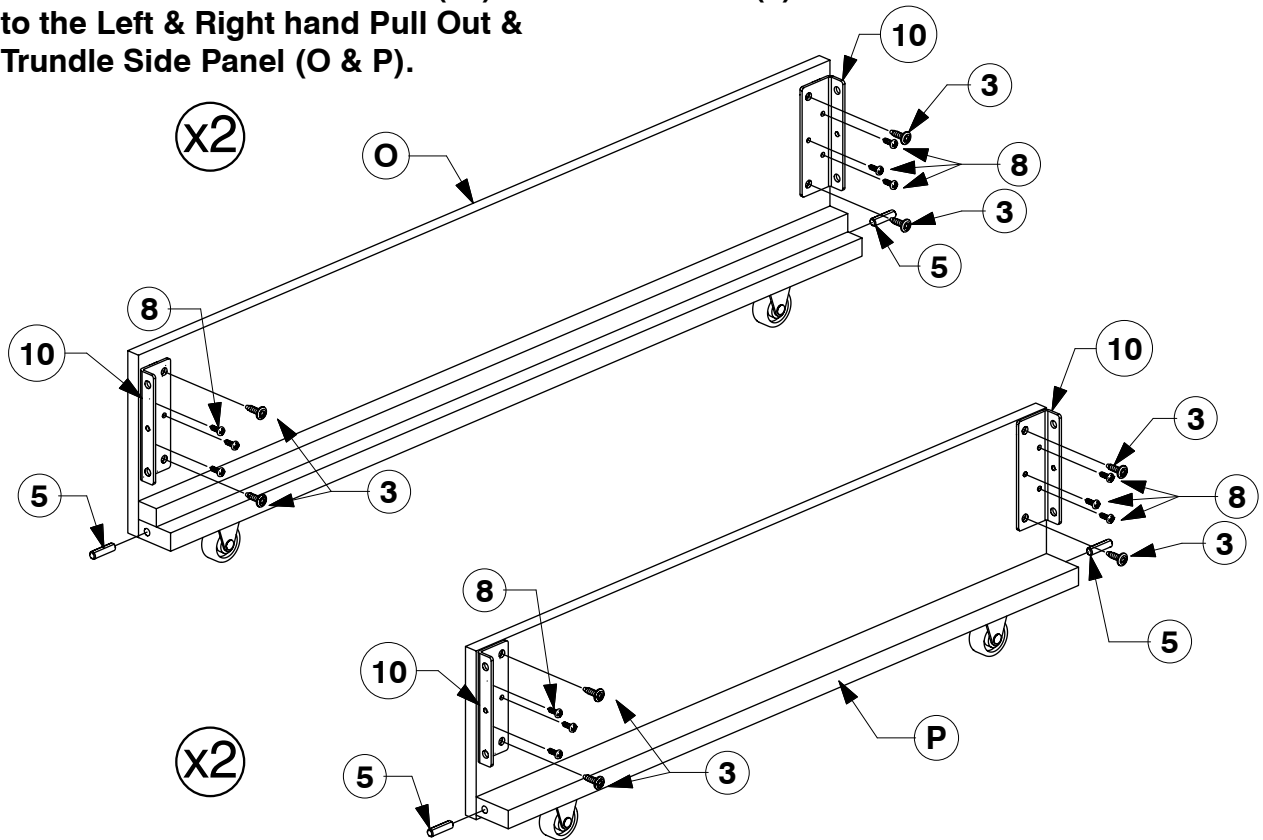


0033-1 Daybed

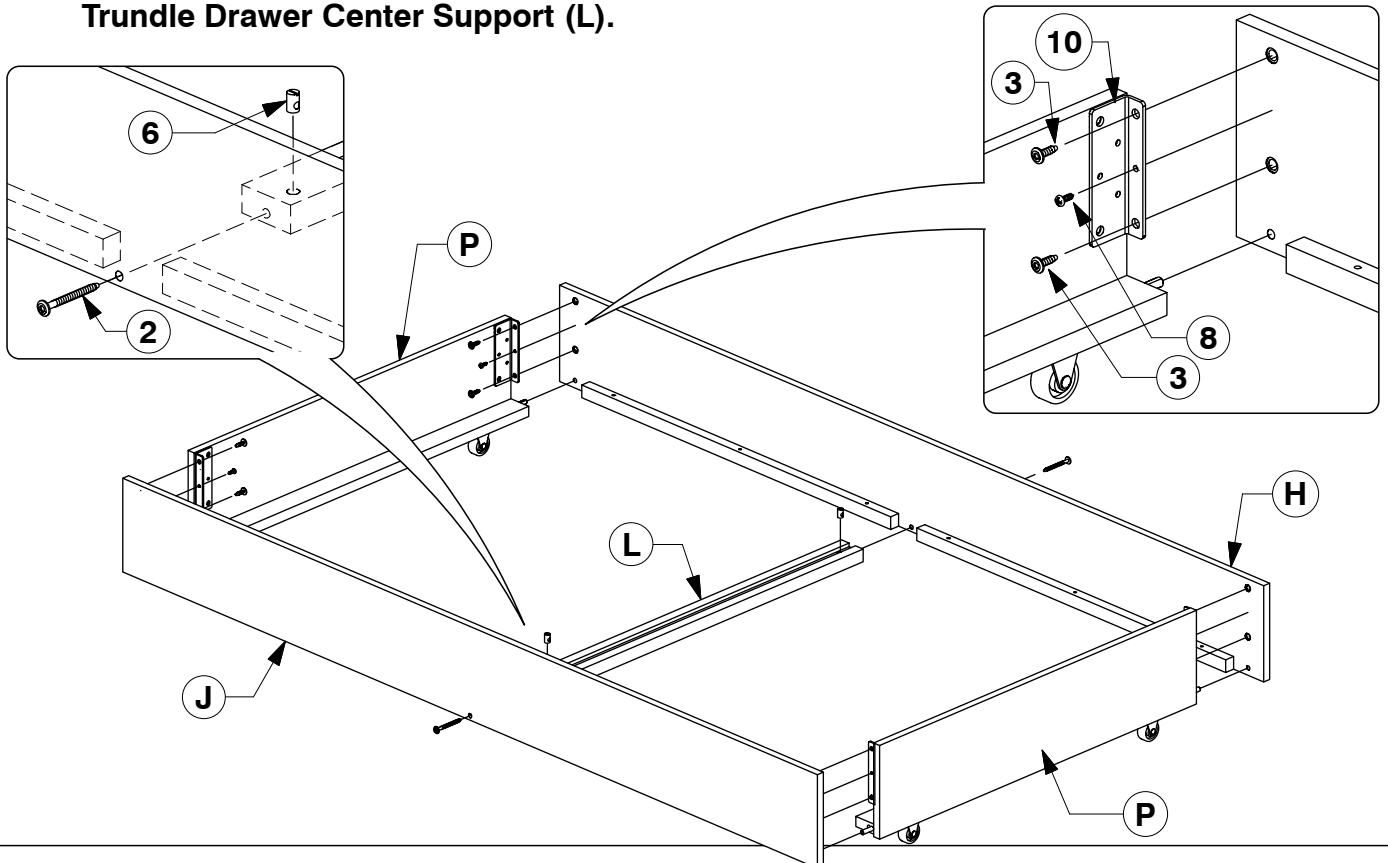
Assembly Instructions

WII-1119

- 4** Assemble the Metal Bracket (10) & Wood Dowels (5) to the Left & Right hand Pull Out & Trundle Side Panel (O & P).



- 5** Assemble the Trundle Drawer Front & Rear Panel (H & J) to the Trundle Drawer Side Panel (P) and Trundle Drawer Center Support (L).

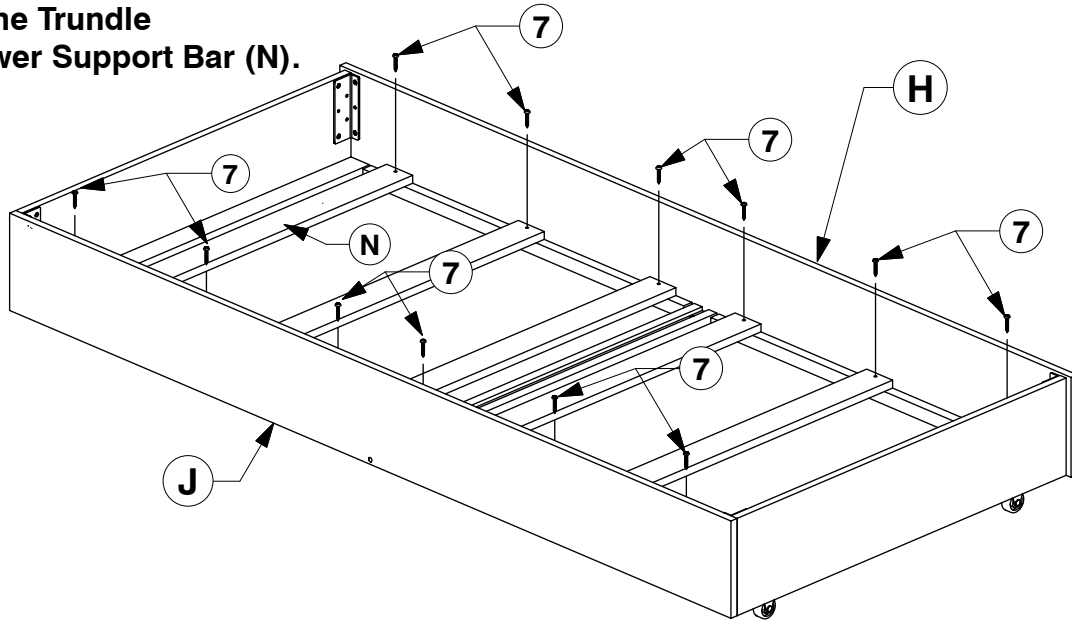


0033-1 Daybed

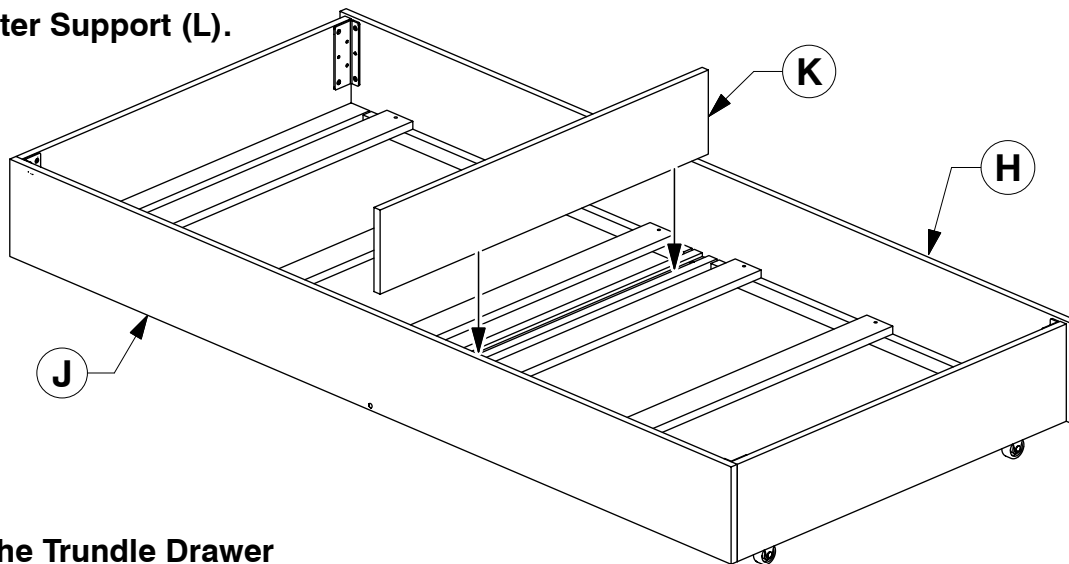
Assembly Instructions

WI-1119

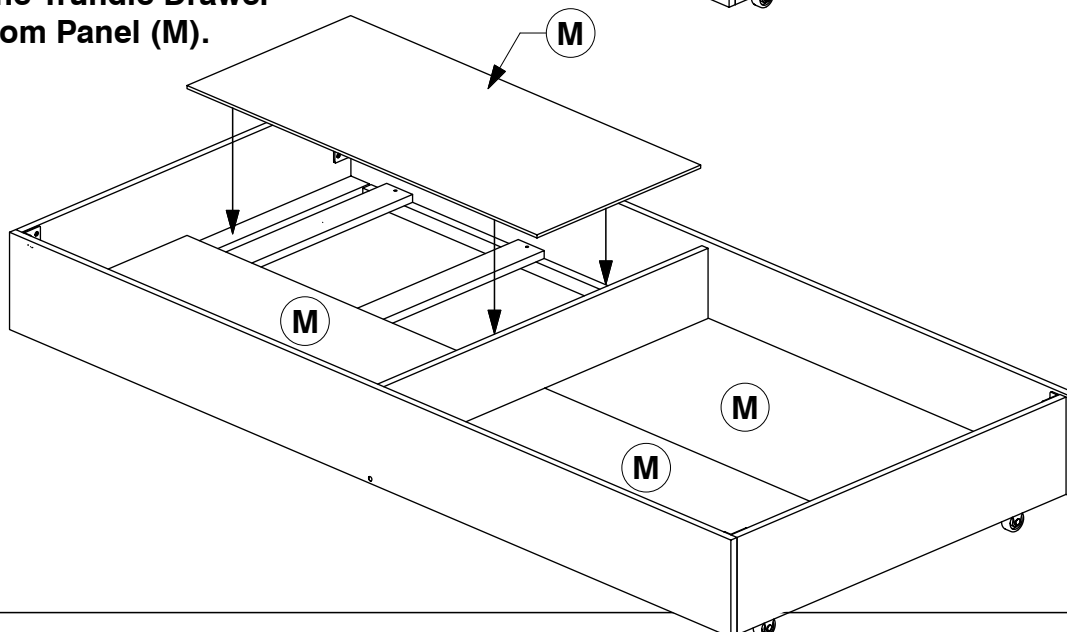
- 6** Fit the Trundle Drawer Support Bar (N).



- 7** Fit the Trundle Drawer Divider (K) to the Trundle Drawer Center Support (L).



- 8** Fit the Trundle Drawer Bottom Panel (M).

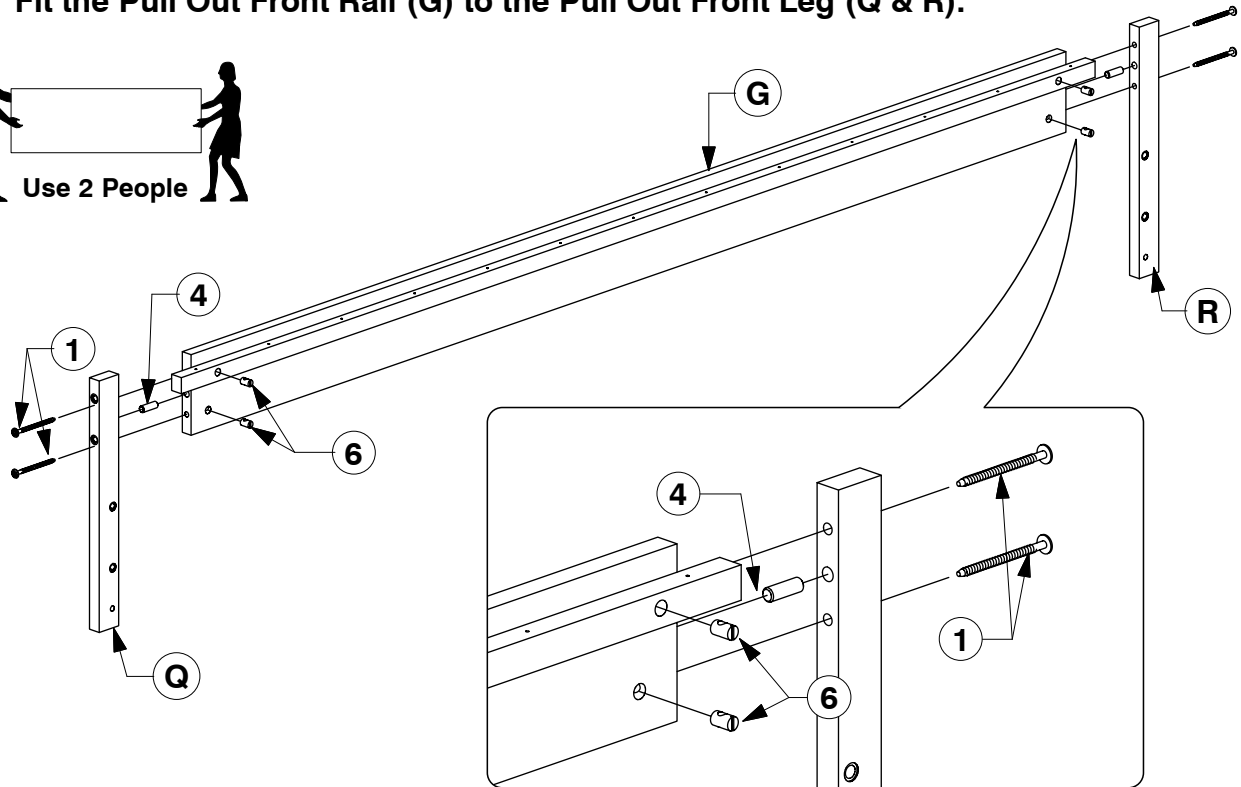
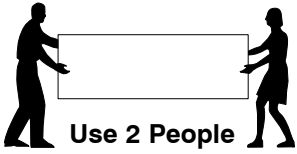


0033-1 Daybed

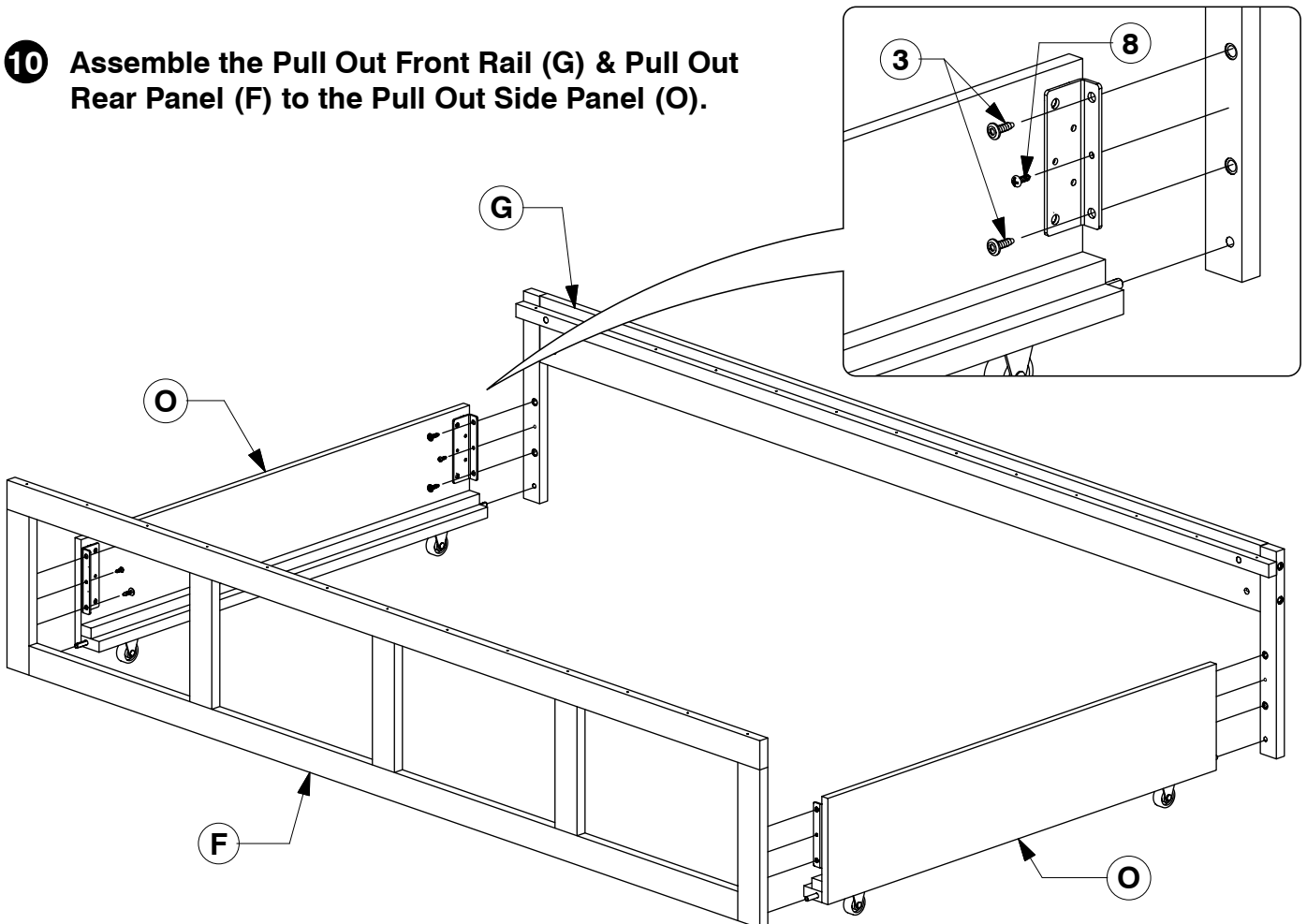
Assembly Instructions

WII-1119

9 Fit the Pull Out Front Rail (G) to the Pull Out Front Leg (Q & R).



10 Assemble the Pull Out Front Rail (G) & Pull Out Rear Panel (F) to the Pull Out Side Panel (O).

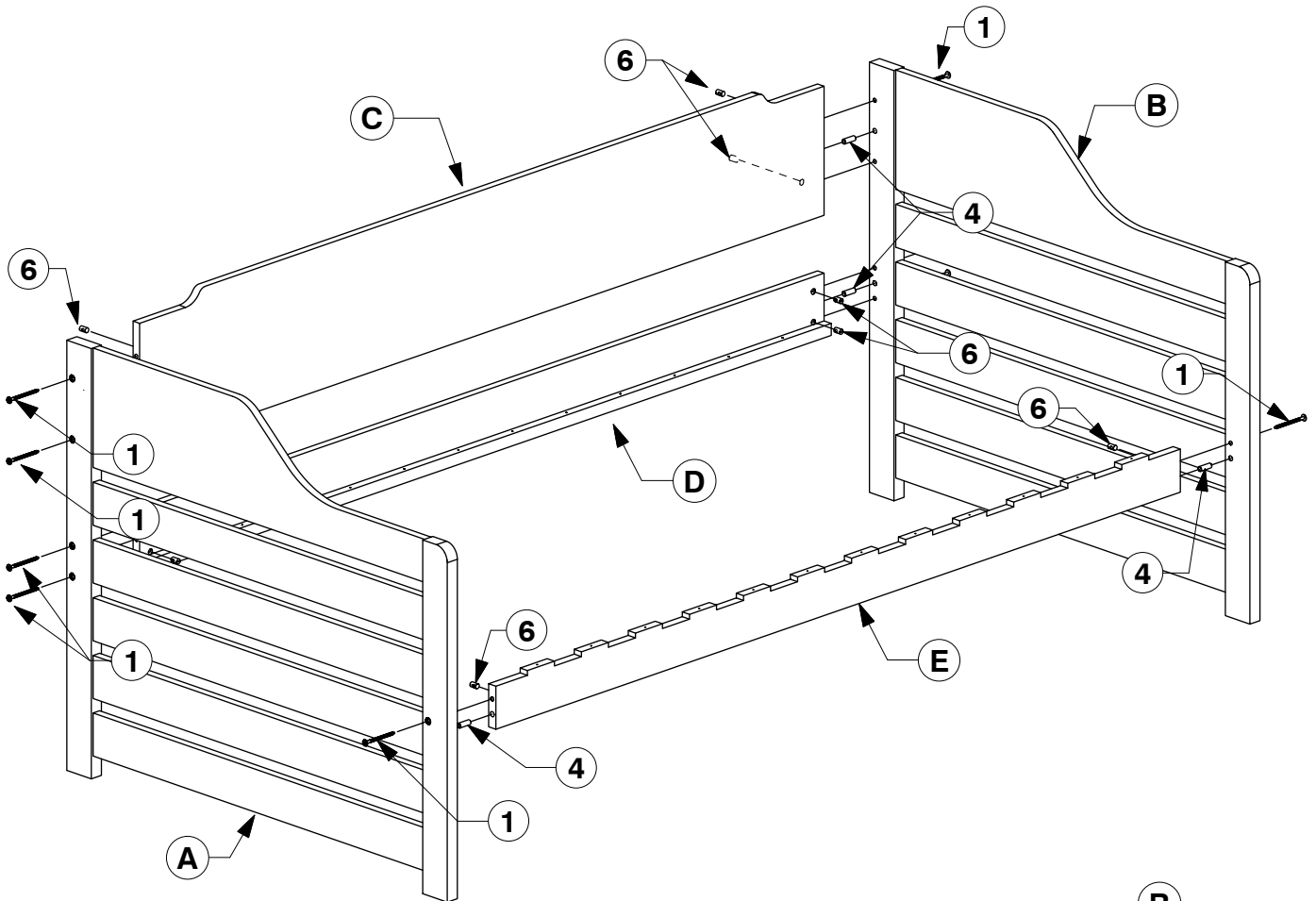
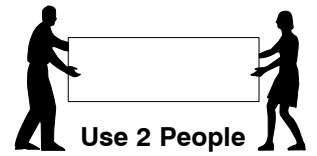


0033-1 Daybed

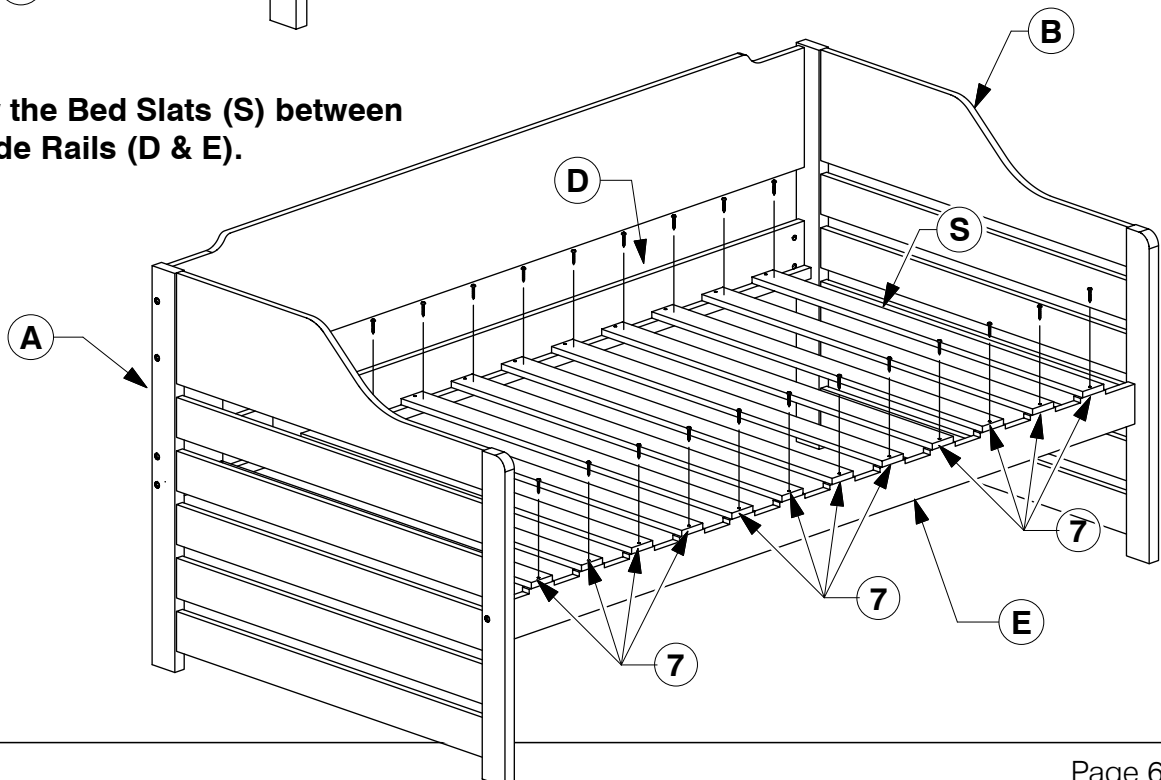
Assembly Instructions

WI-1119

- 11** Assemble the Side Rail (D & E) and Back Panel (C) to the Headboard Panel (A & B).



- 12** Screw the Bed Slats (S) between the Side Rails (D & E).

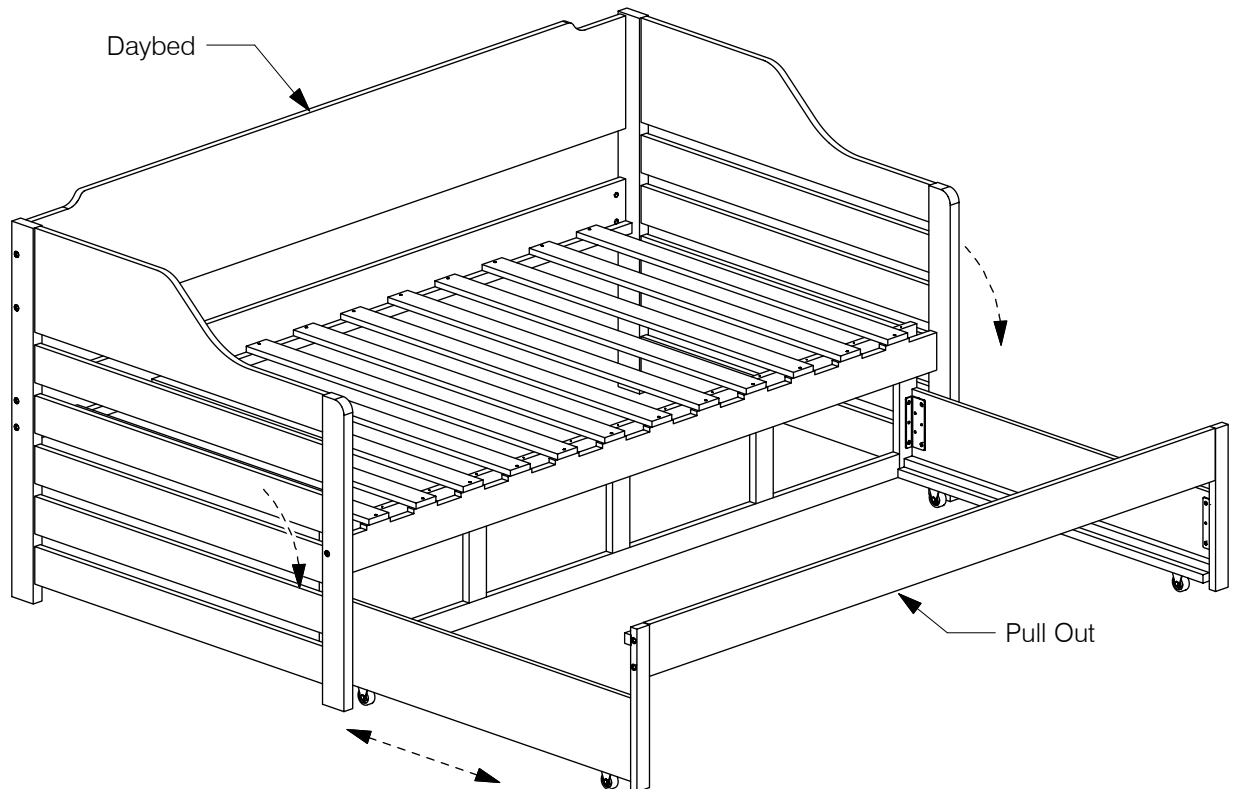
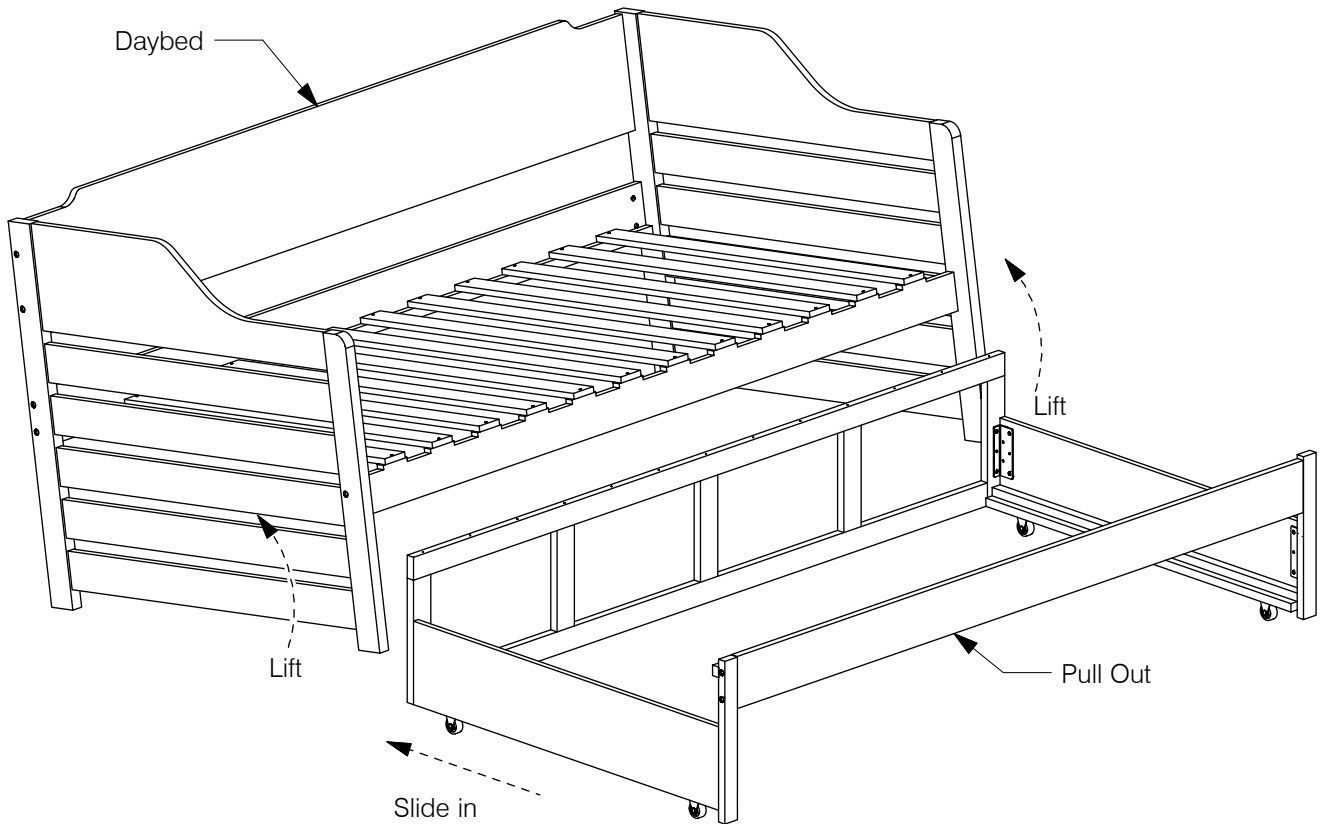


0033-1 Daybed

Assembly Instructions

WI-1119

13 Slide the Pull Out under the Bed.



0033-1 Daybed

Assembly Instructions

WII-1119

- 14** Assemble the Bed Slats (S) to the Pull Out Front Rail (G) & Pull Out Rear Panel (F). Finally, fit the assembled Drawers.

