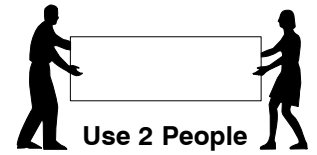
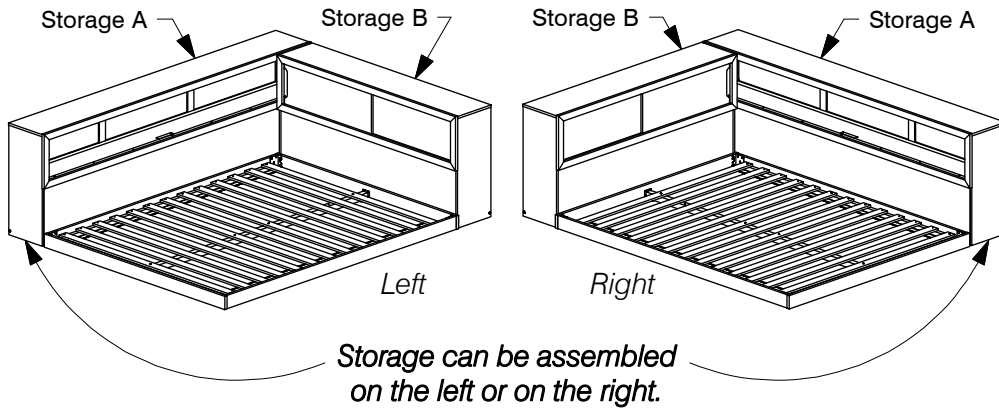


0031 Queen Bed

Assembly Instructions

WII-1219

1 Assembled View



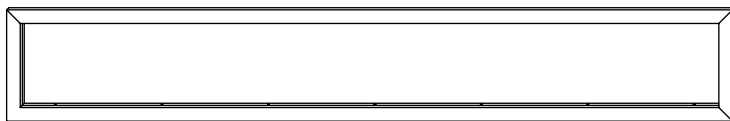
Note: Do not assemble using power tools. This can cause the bolts to be overtightened

2 Parts List

Parts in Box A- Storage A:



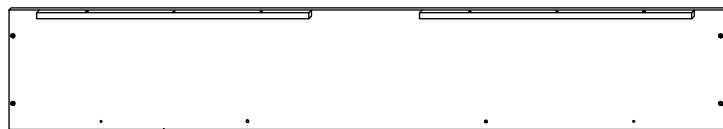
A Storage Top Panel x 1



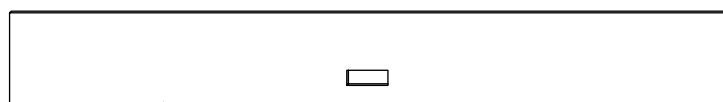
B Storage Front Frame x 1



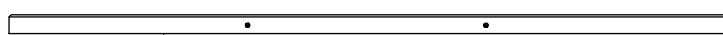
C Storage Rear Frame x 1



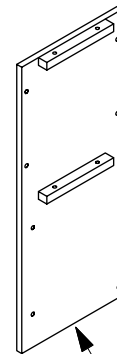
D Storage Lower Panel x 1



E Storage Center Panel x 1



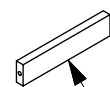
F Storage Lower Rail x 1



G
Storage Side Panel
(Left Hand) x 1



H
Storage Side Panel
(Right Hand) x 1



J
Storage
Support Bar x 2

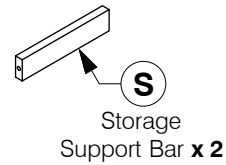
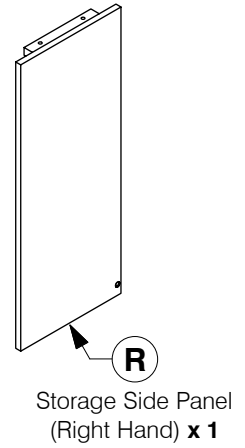
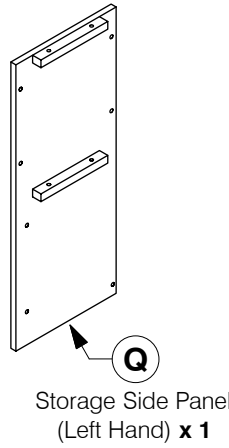
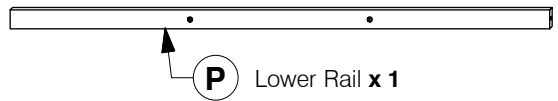
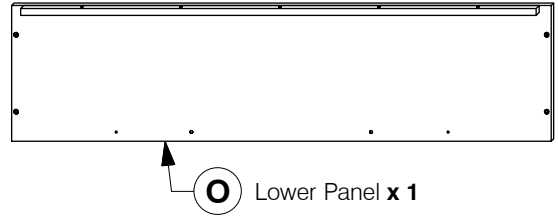
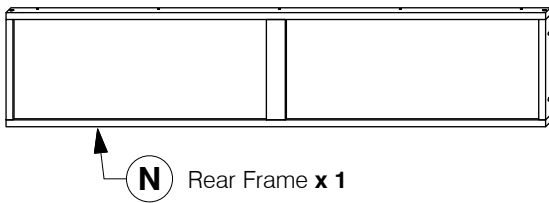
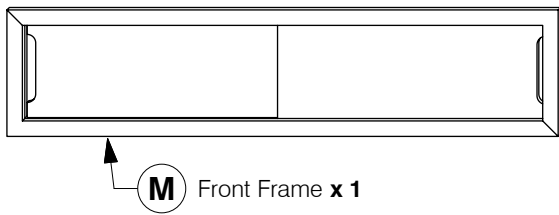
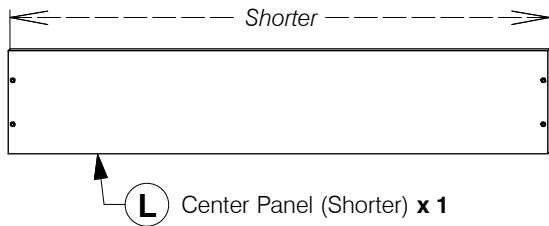
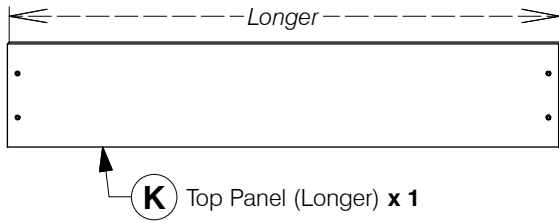
0031 Queen Bed

Assembly Instructions

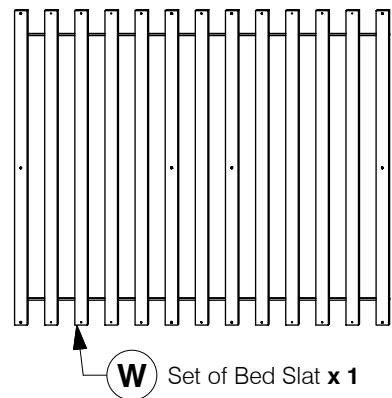
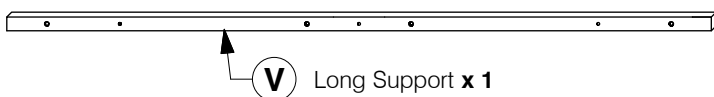
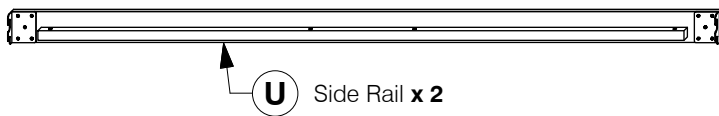
WII-1219

2 Part List

Parts in Box B- Storage B:



Parts in Box C

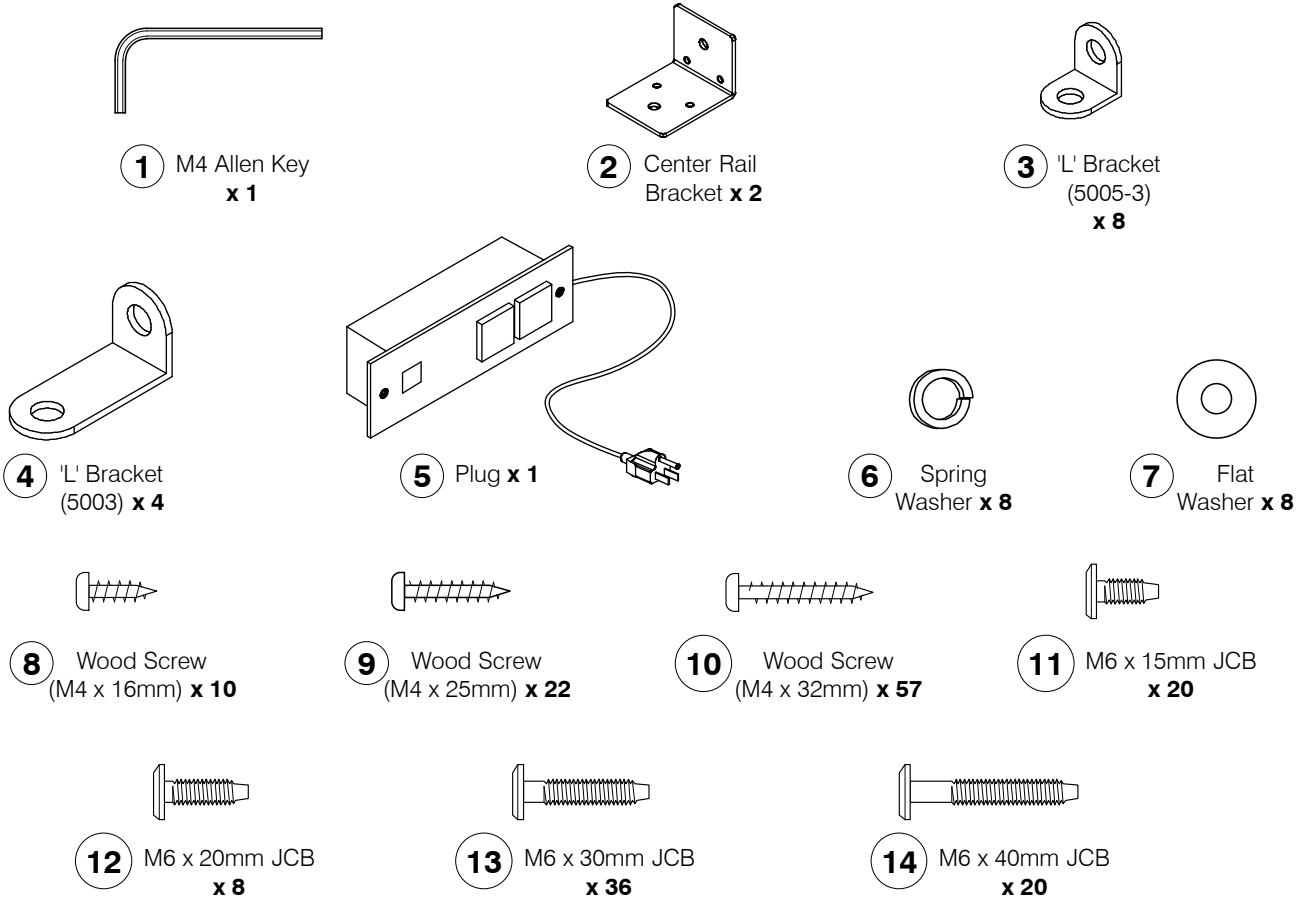


0031 Queen Bed

Assembly Instructions

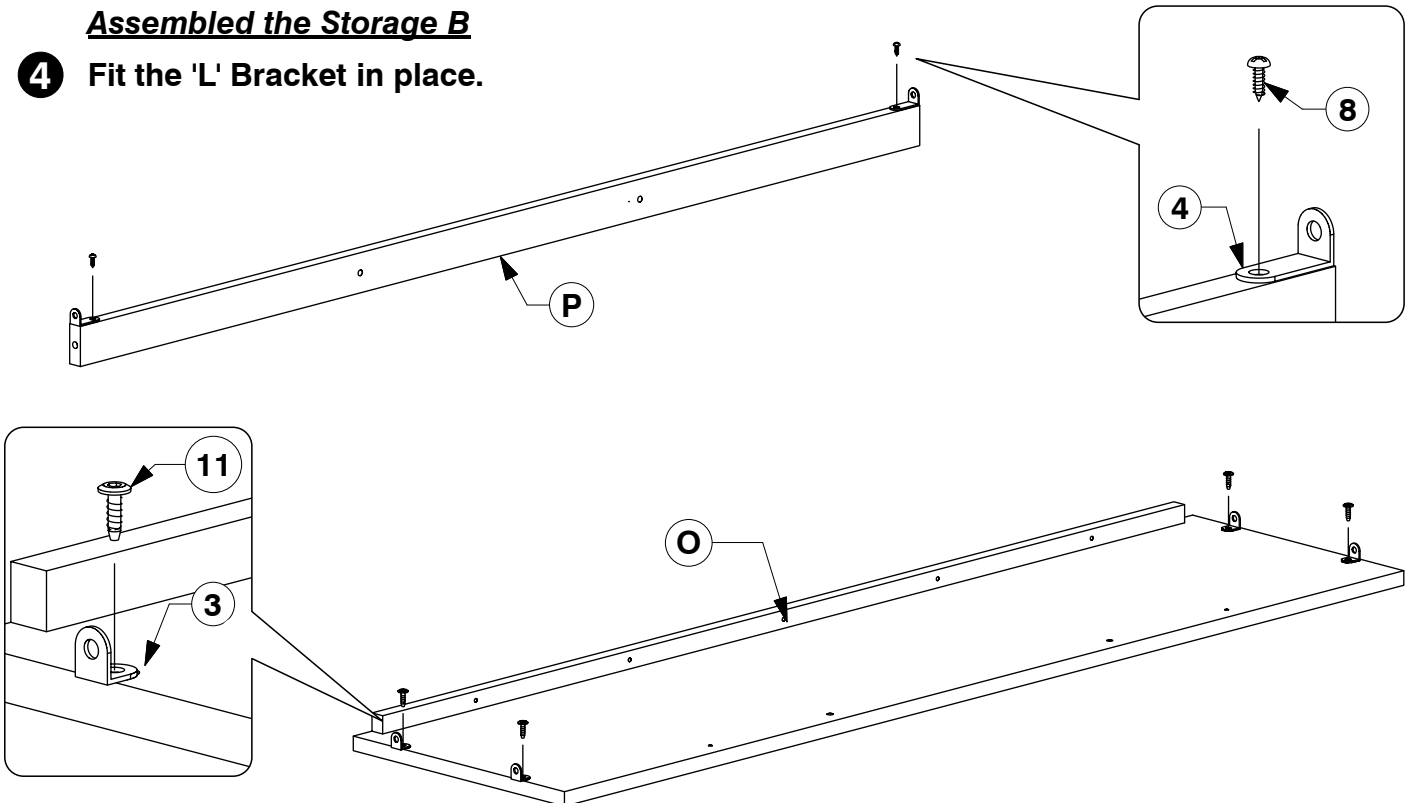
WII-1219

3 Hardware List



Assembled the Storage B

4 Fit the 'L' Bracket in place.

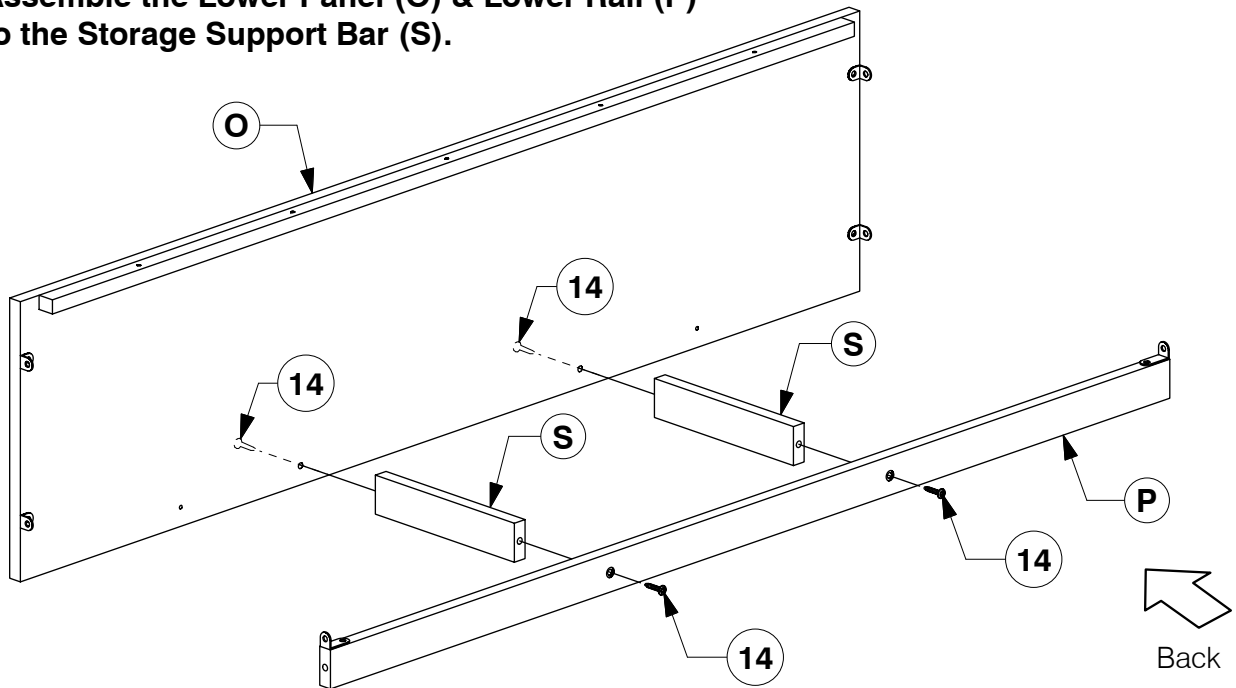


0031 Queen Bed

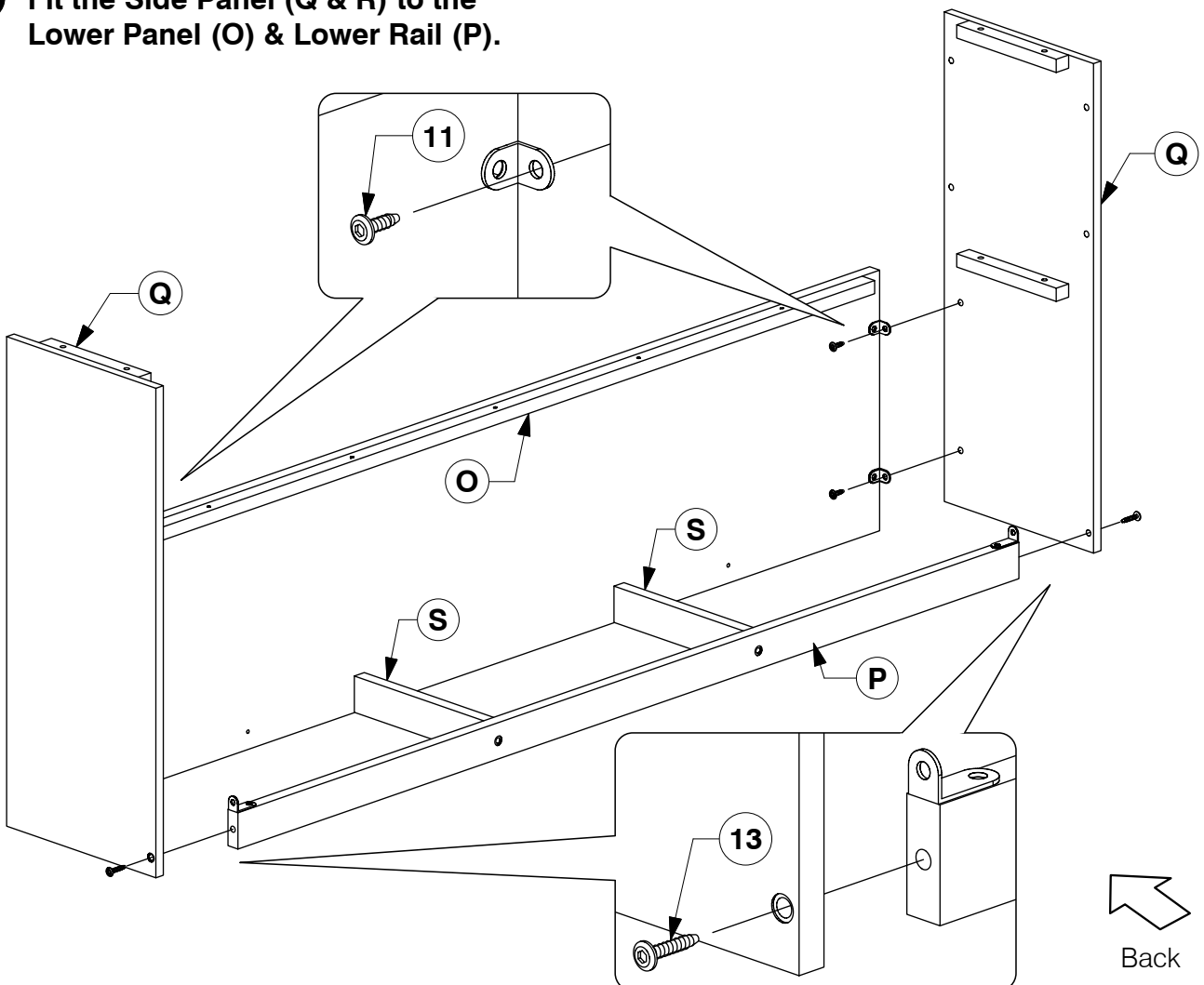
Assembly Instructions

WII-1219

- 5** Assemble the Lower Panel (O) & Lower Rail (P) to the Storage Support Bar (S).



- 6** Fit the Side Panel (Q & R) to the Lower Panel (O) & Lower Rail (P).

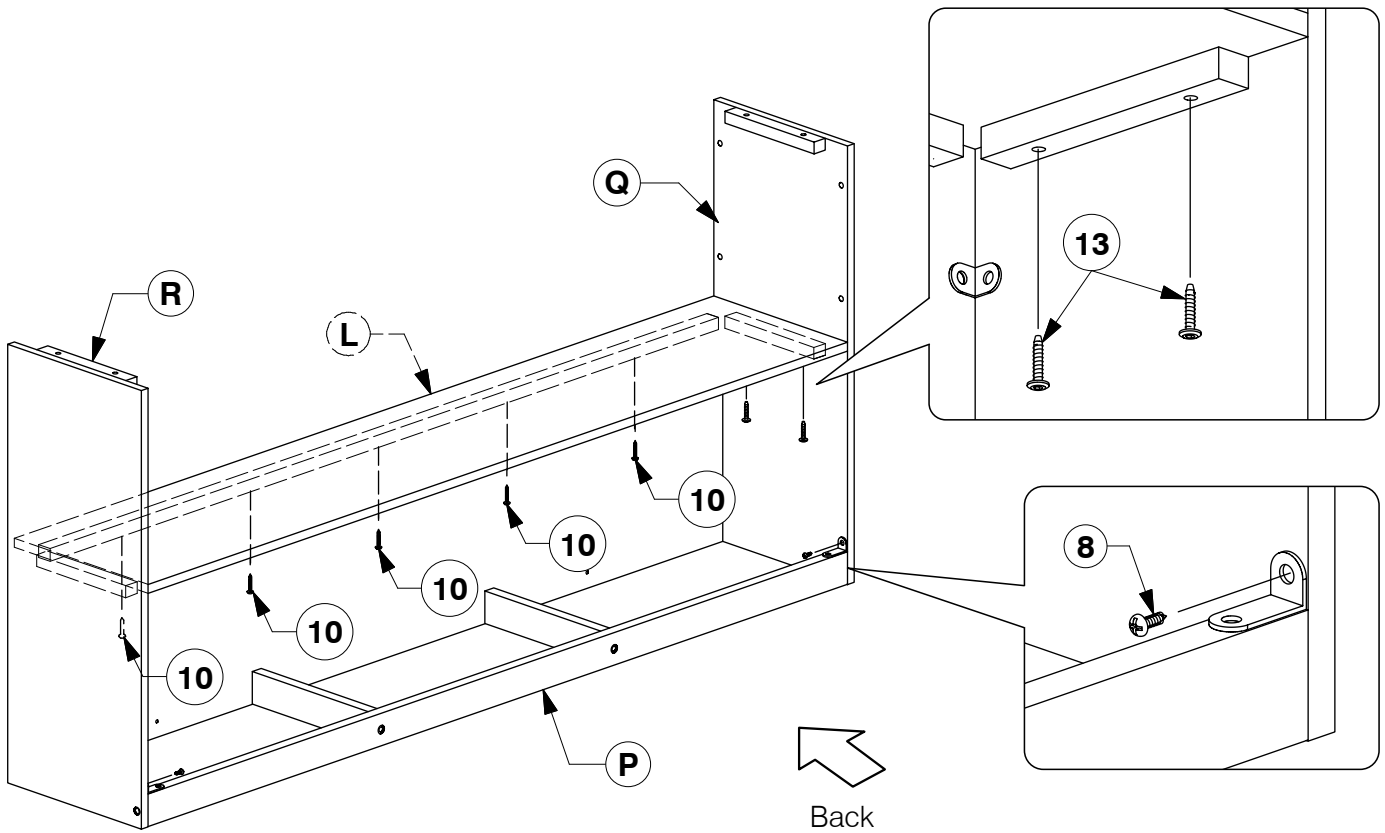


0031 Queen Bed

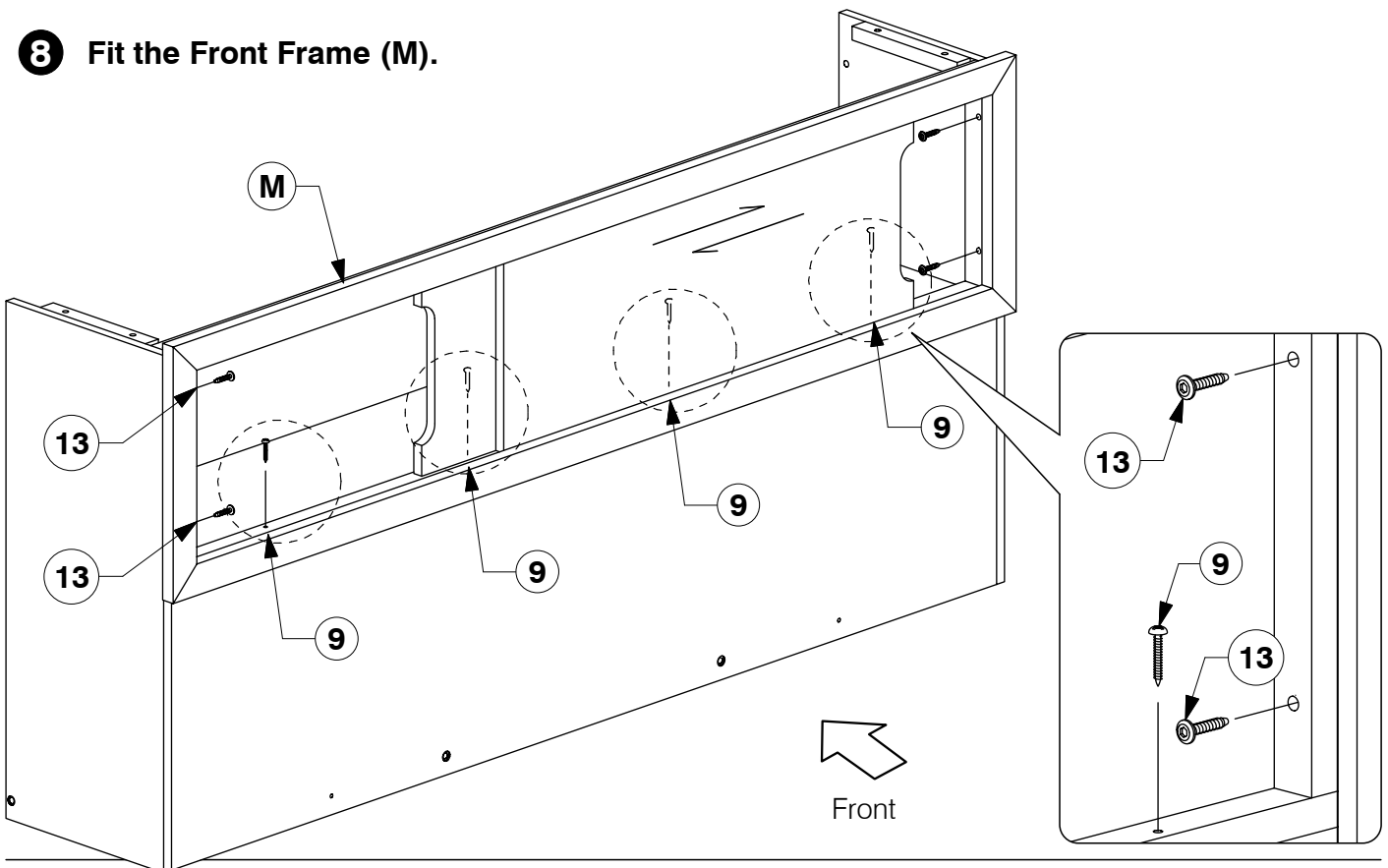
Assembly Instructions

WII-1219

- 7** Attach the Center Panel (L) to the Storage Side Panel (Q & R).



- 8** Fit the Front Frame (M).

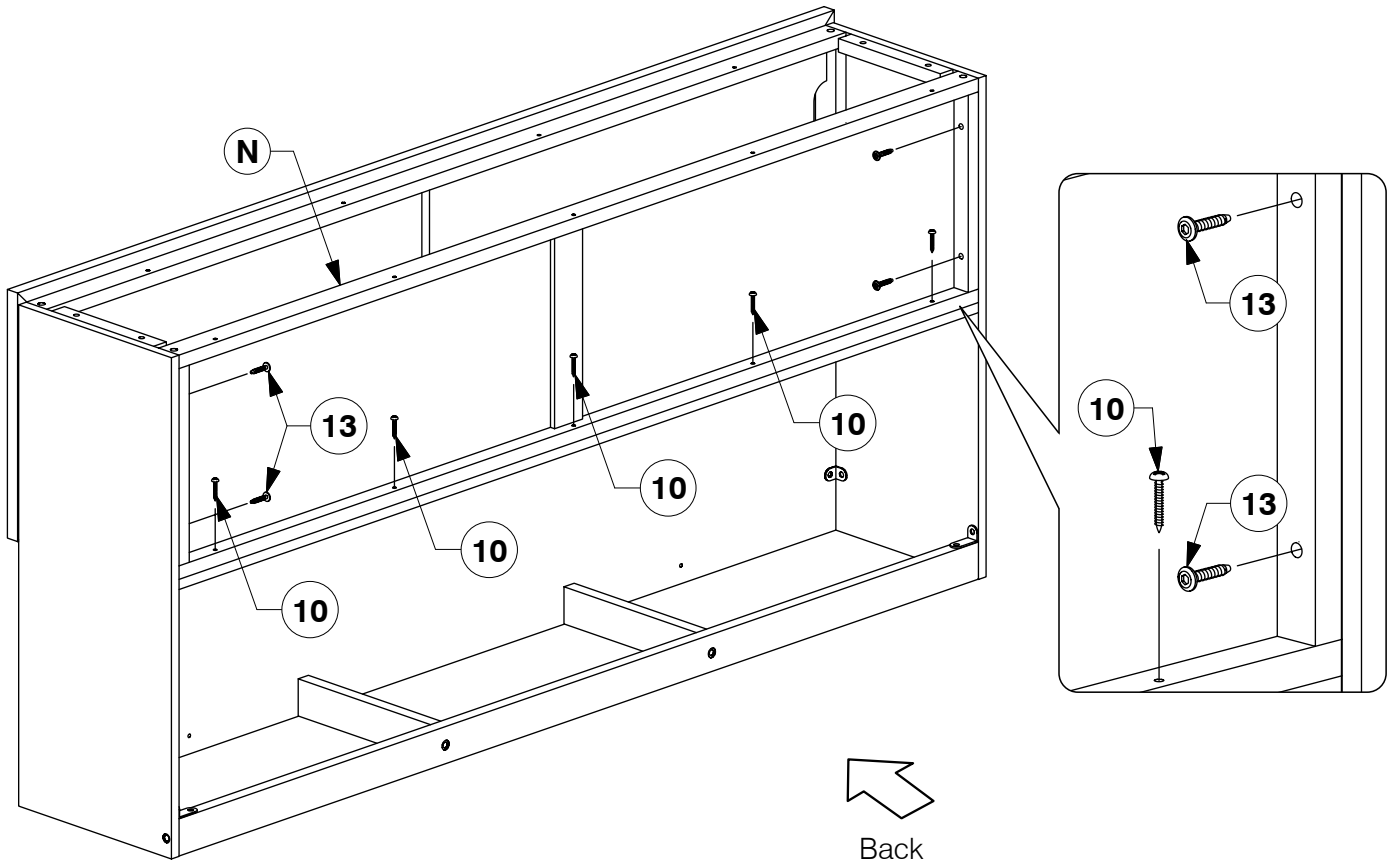


0031 Queen Bed

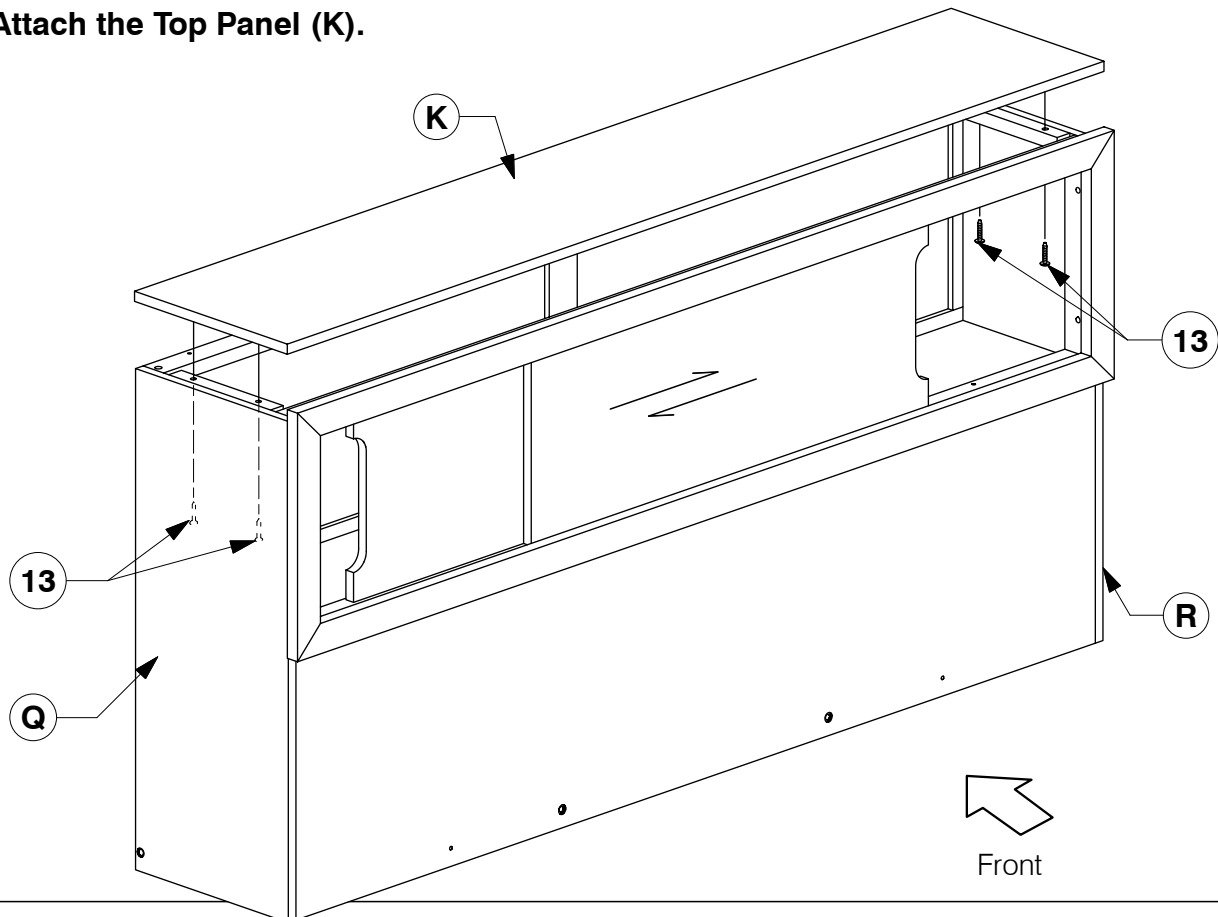
Assembly Instructions

WII-1219

9 Fit the Rear Frame (N).



10 Attach the Top Panel (K).

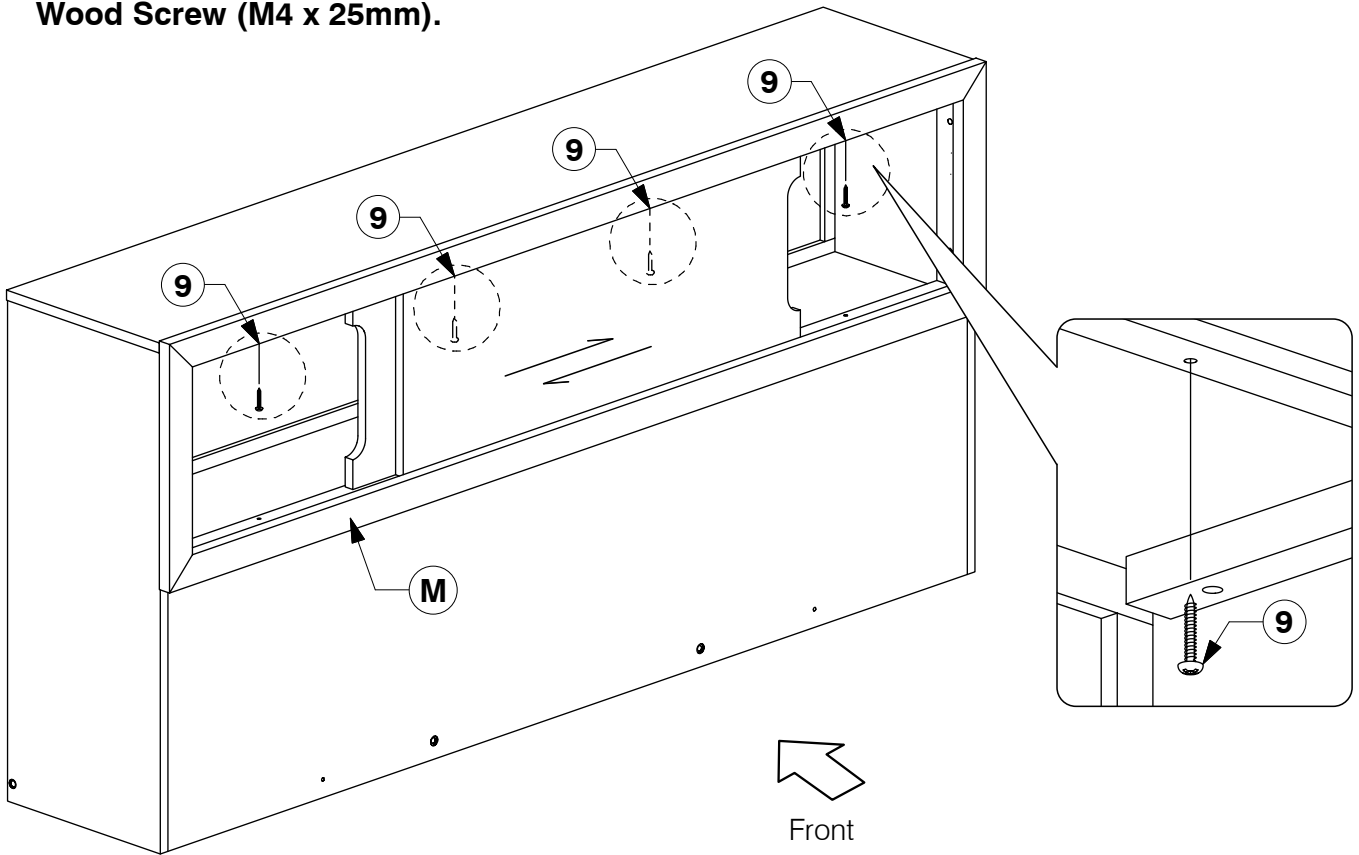


0031 Queen Bed

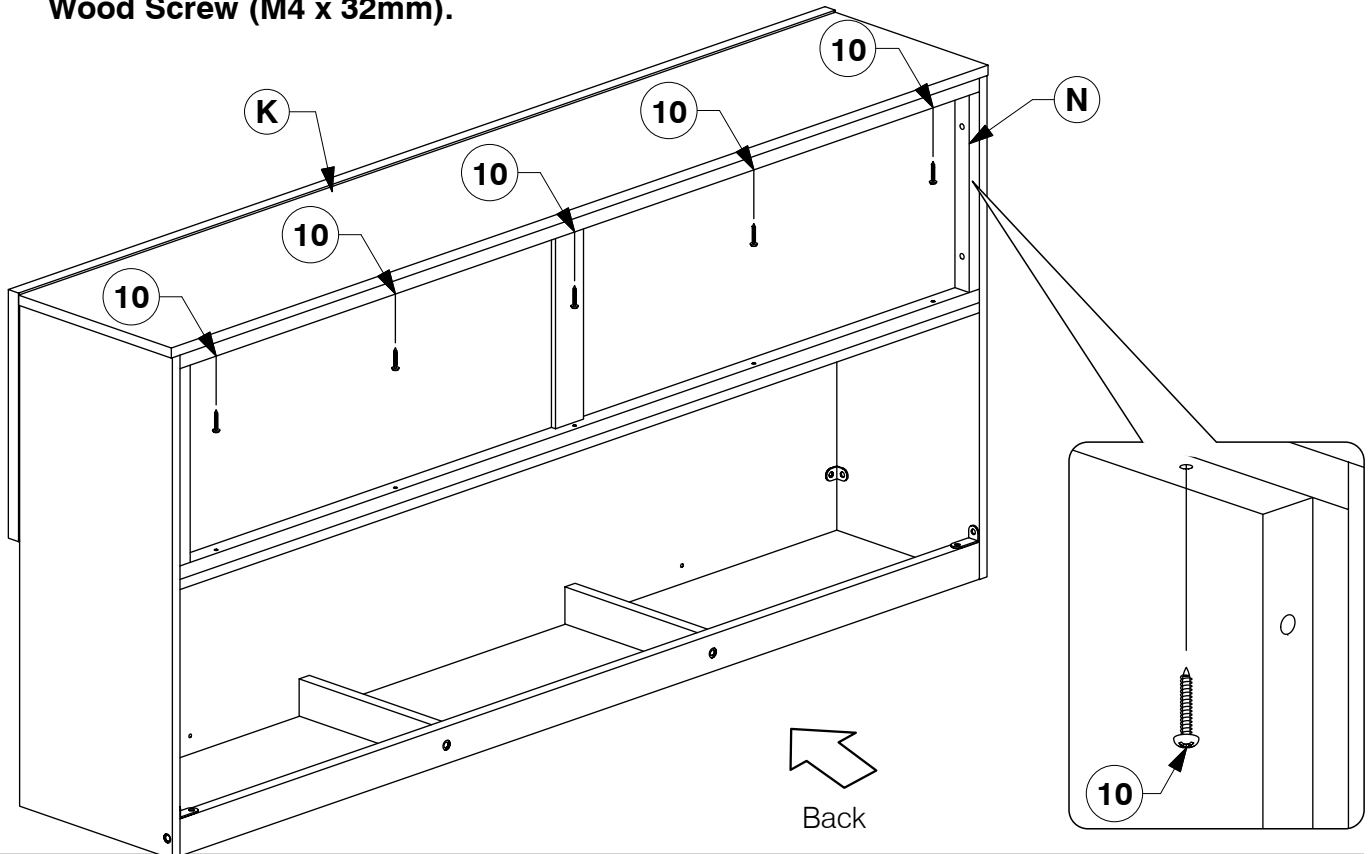
Assembly Instructions

WII-1219

- 11** Tighten the Front Frame (M) with Wood Screw (M4 x 25mm).



- 12** Tighten the Rear Frame (N) with Wood Screw (M4 x 32mm).



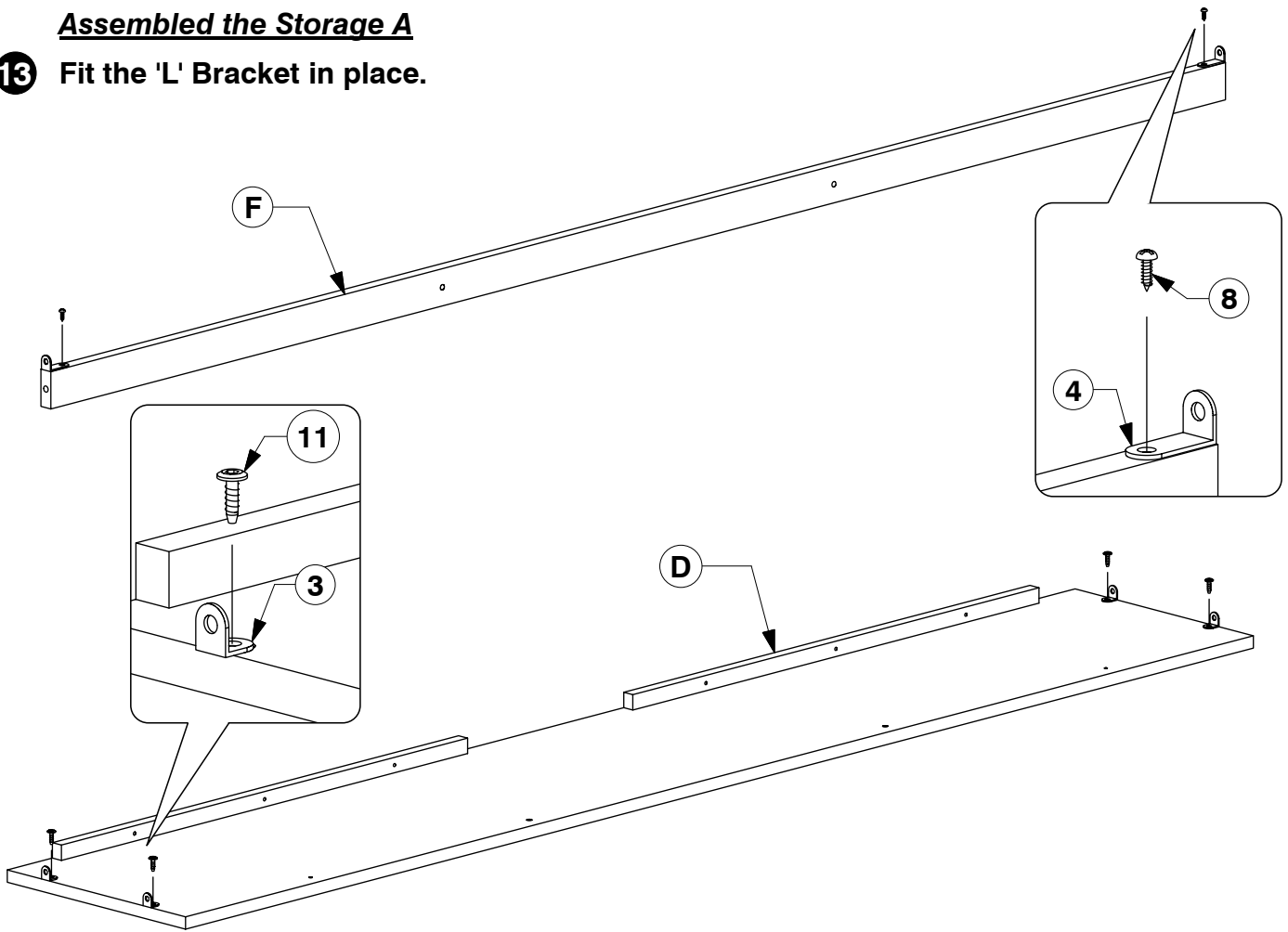
0031 Queen Bed

Assembly Instructions

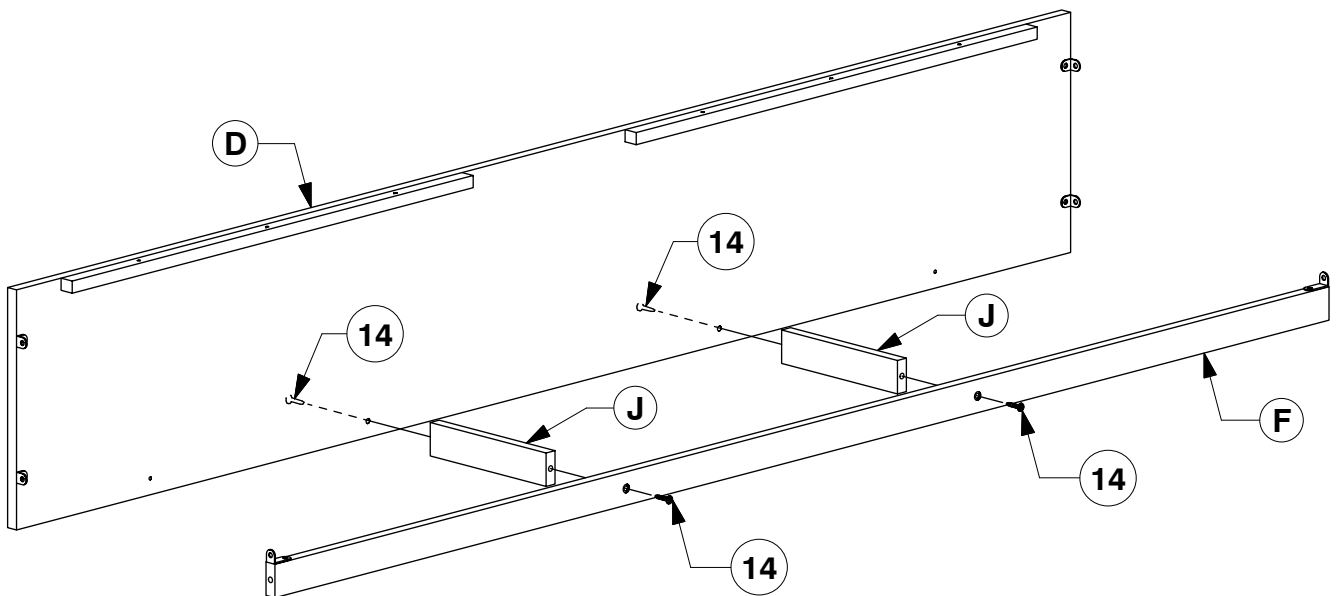
WII-1219

Assembled the Storage A

- 13** Fit the 'L' Bracket in place.



- 14** Assemble the Storage Lower Panel (D) & Storage Lower Rail (F) to the Storage Support Bar (J).

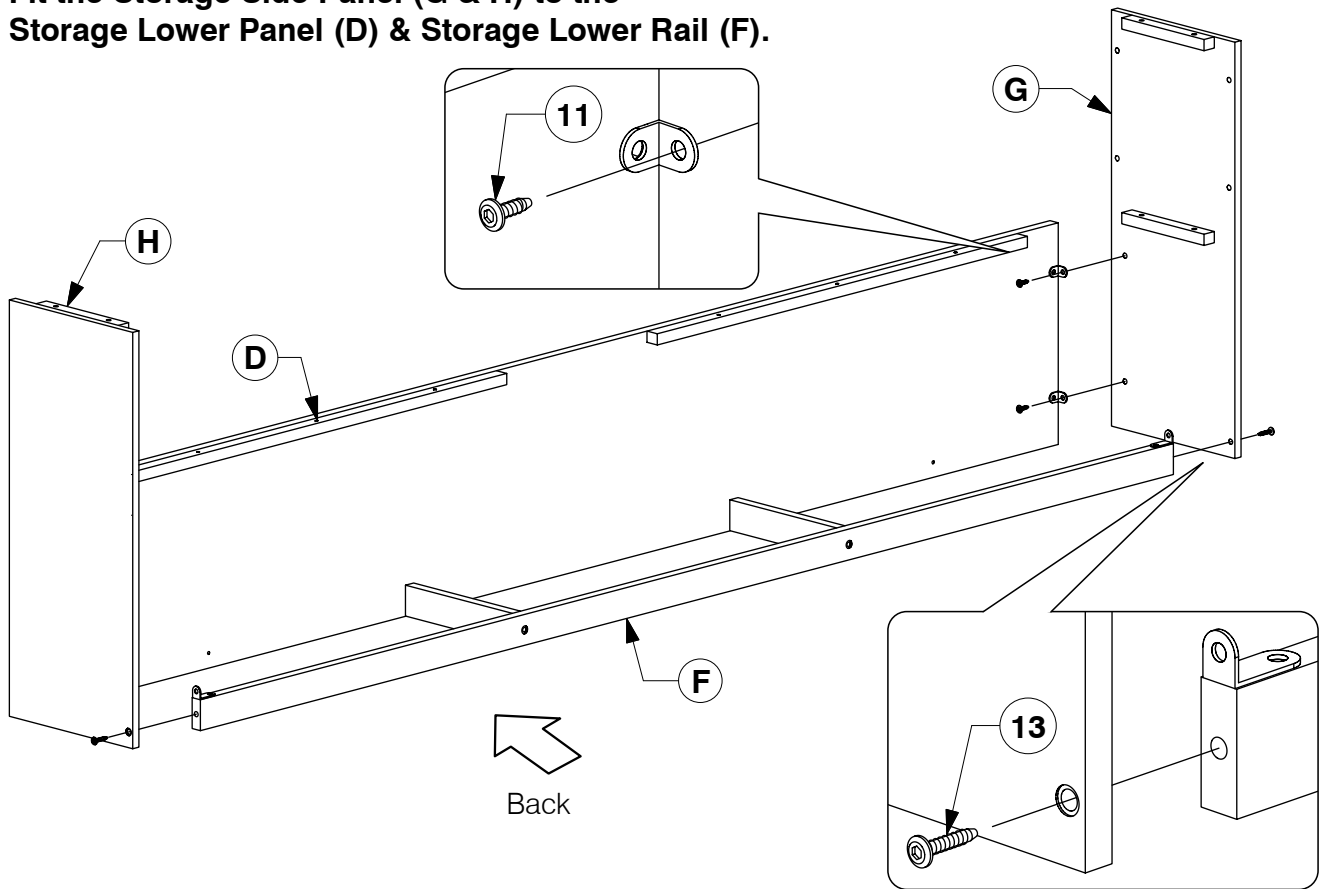


0031 Queen Bed

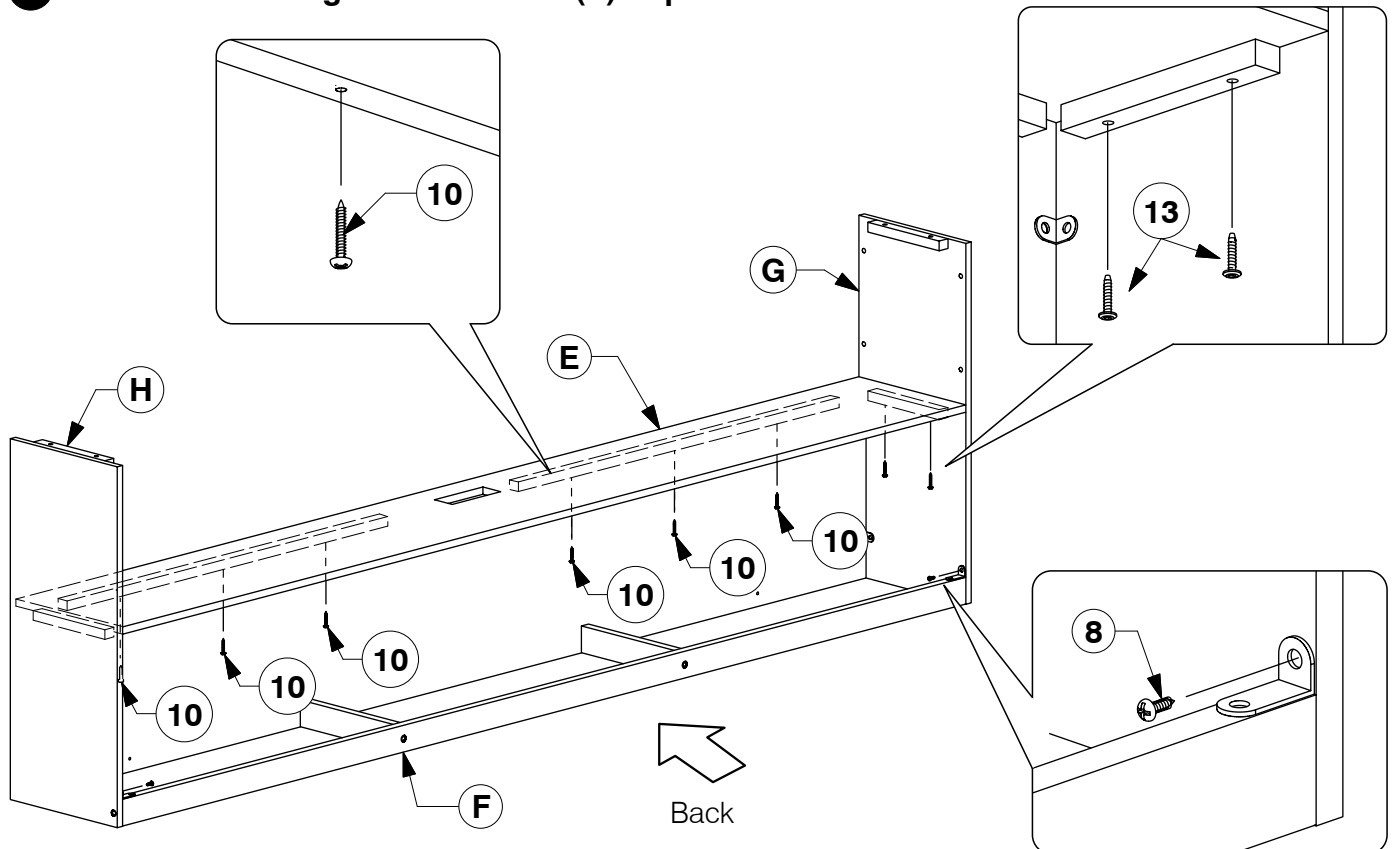
Assembly Instructions

WII-1219

- 15** Fit the Storage Side Panel (G & H) to the Storage Lower Panel (D) & Storage Lower Rail (F).



- 16** Attach the Storage Center Panel (E) in place.

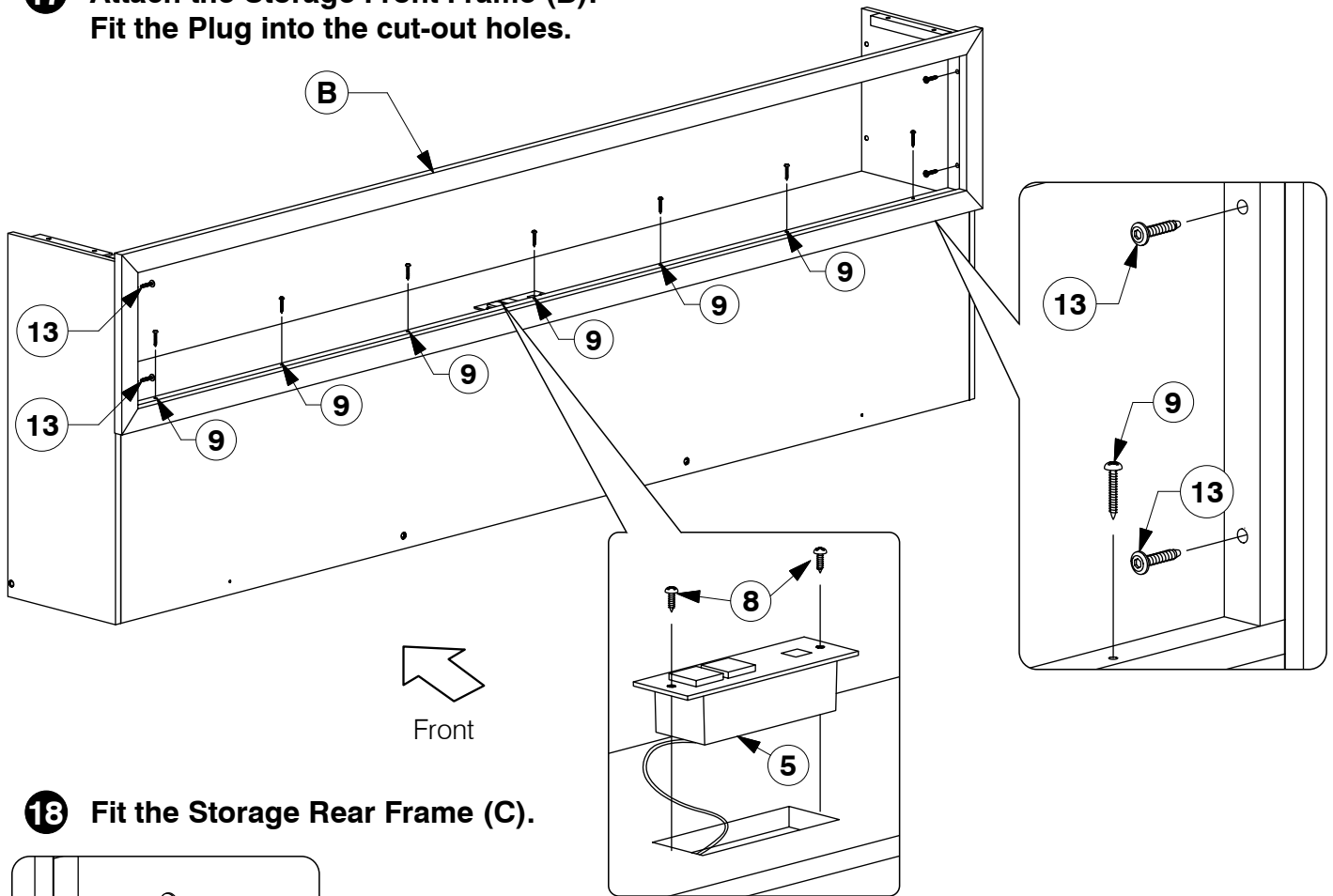


0031 Queen Bed

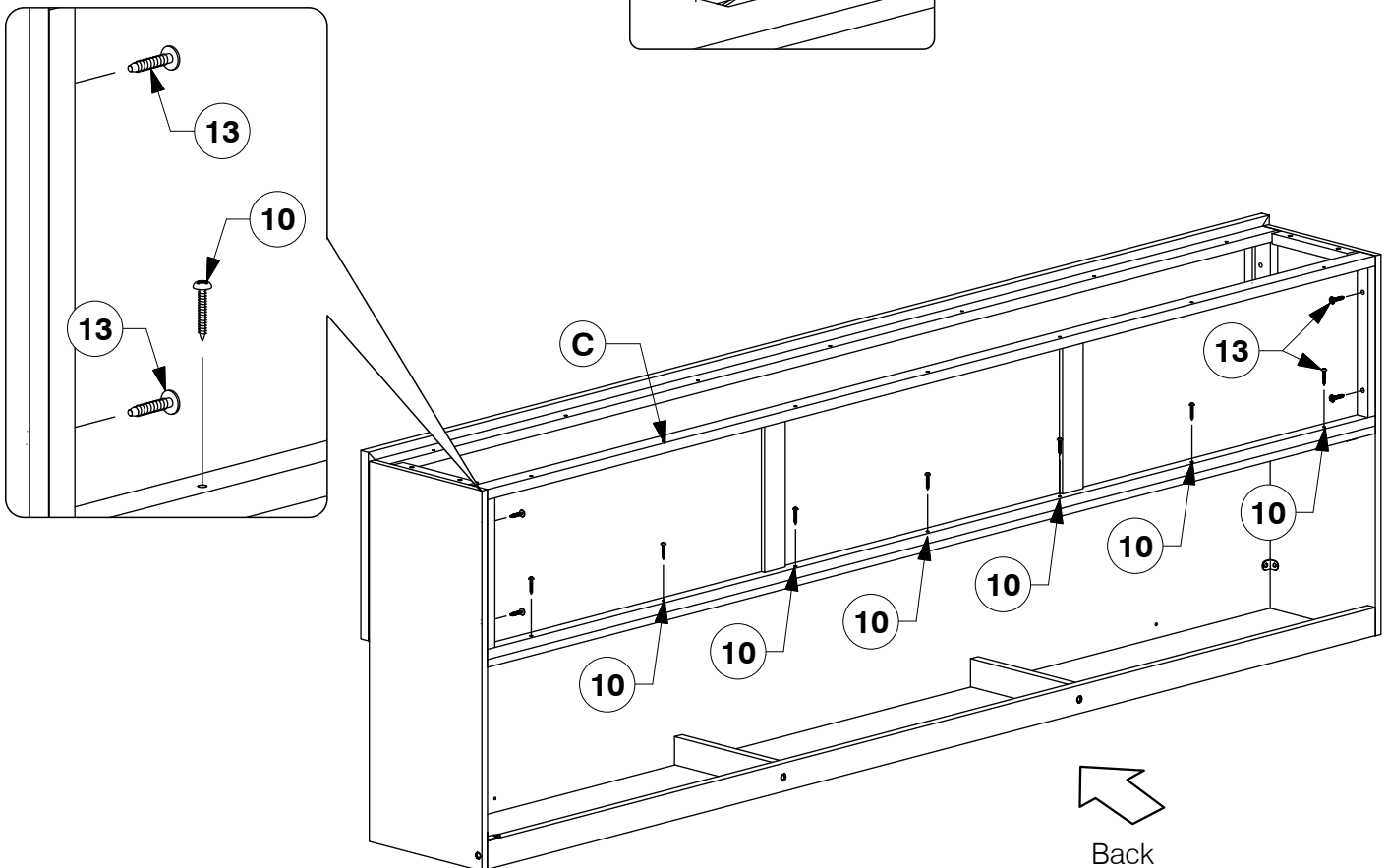
Assembly Instructions

WI-1219

- 17** Attach the Storage Front Frame (B).
Fit the Plug into the cut-out holes.



- 18** Fit the Storage Rear Frame (C).

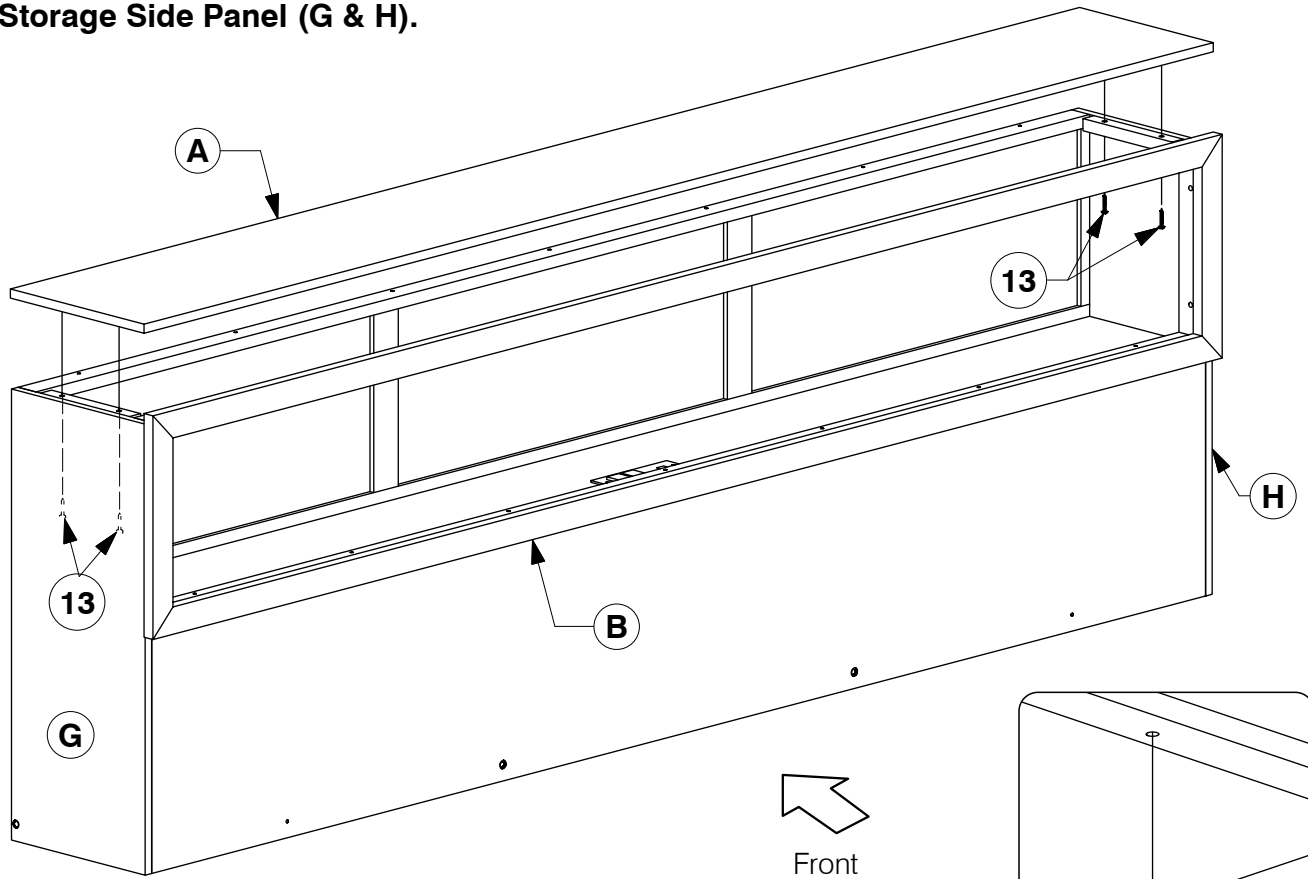


0031 Queen Bed

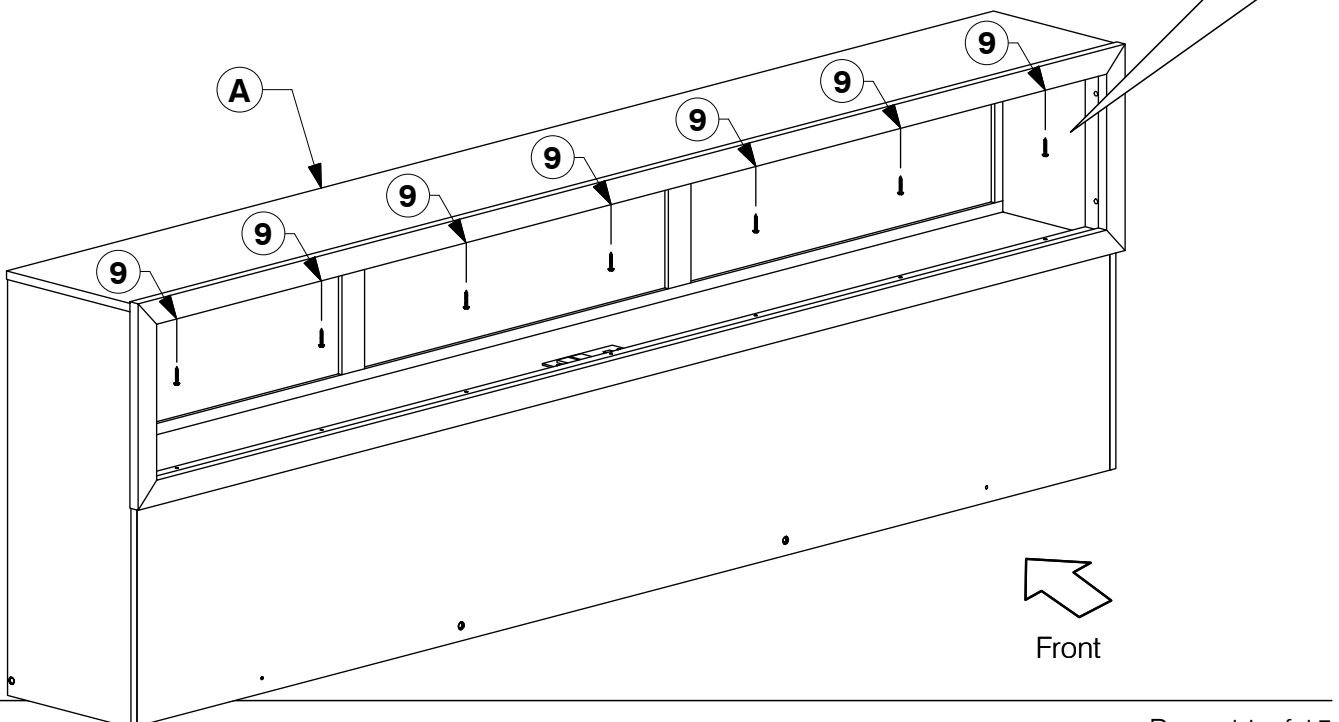
Assembly Instructions

WII-1219

- 19** Attach the Top Panel (A) to the Storage Side Panel (G & H).



- 20** Tighten the Storage Top Panel (A) with Wood Screw (M4 x 25mm).

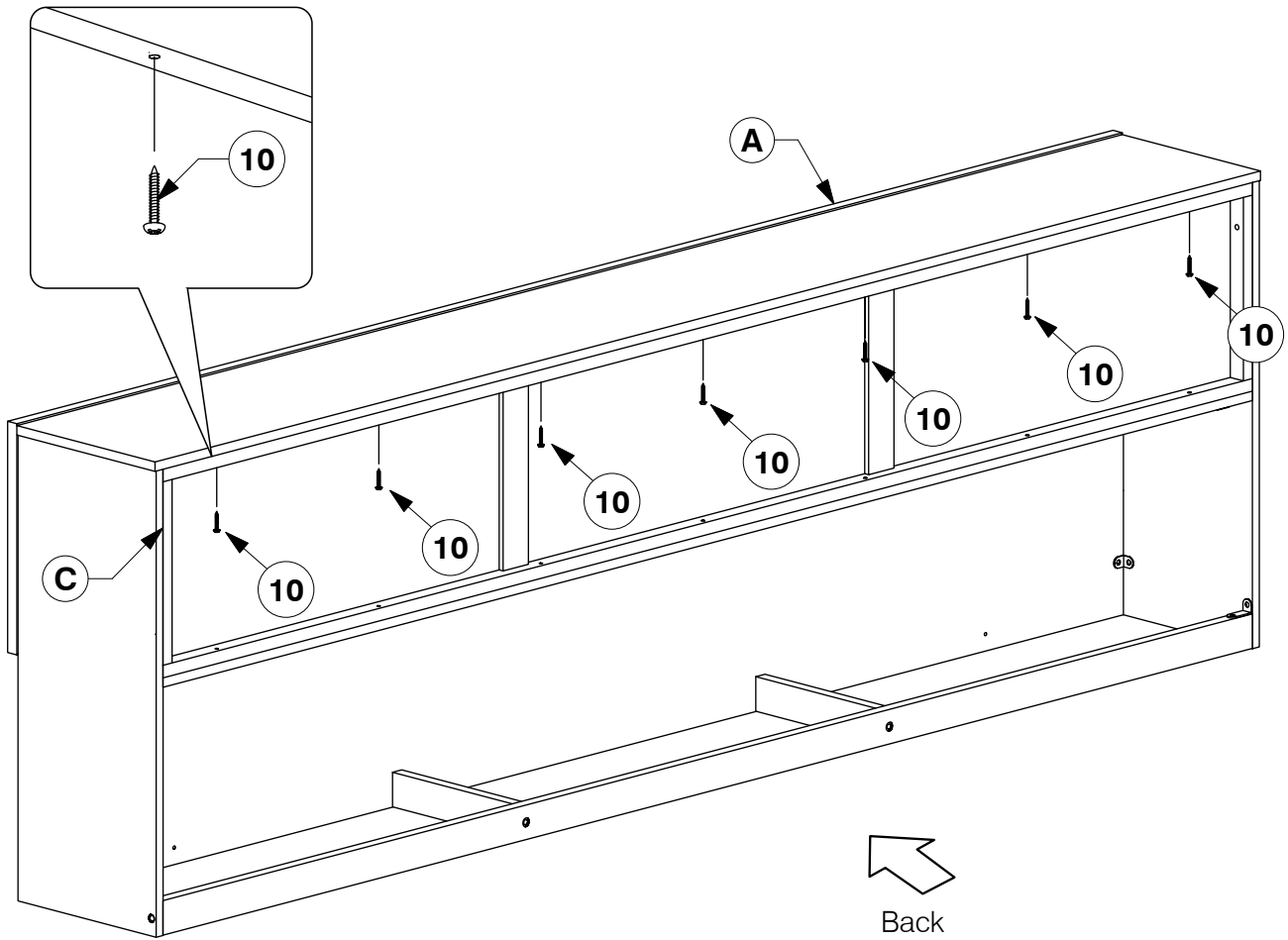


0031 Queen Bed

Assembly Instructions

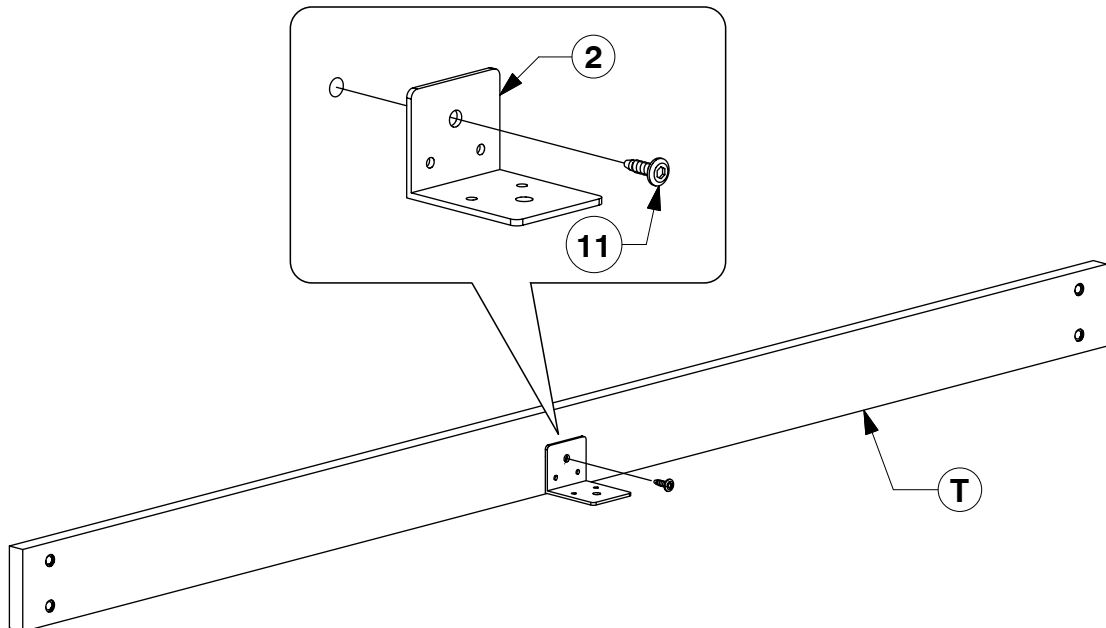
WI-1219

- 21** Tighten the Storage Top Panel (A) with Wood Screw (M4 x 32mm).



- 22** Fit the Center Rail Bracket to the Head / Footboard (T).

x2

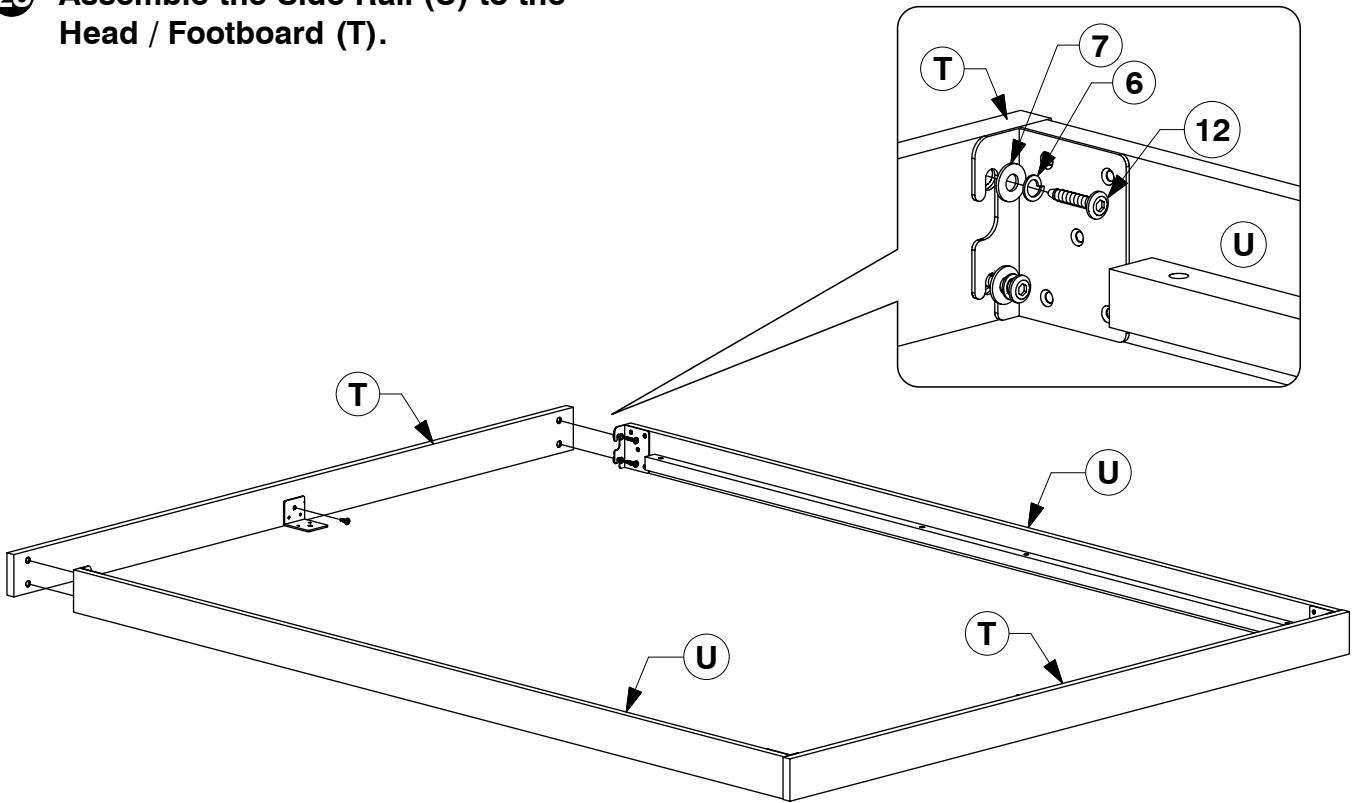


0031 Queen Bed

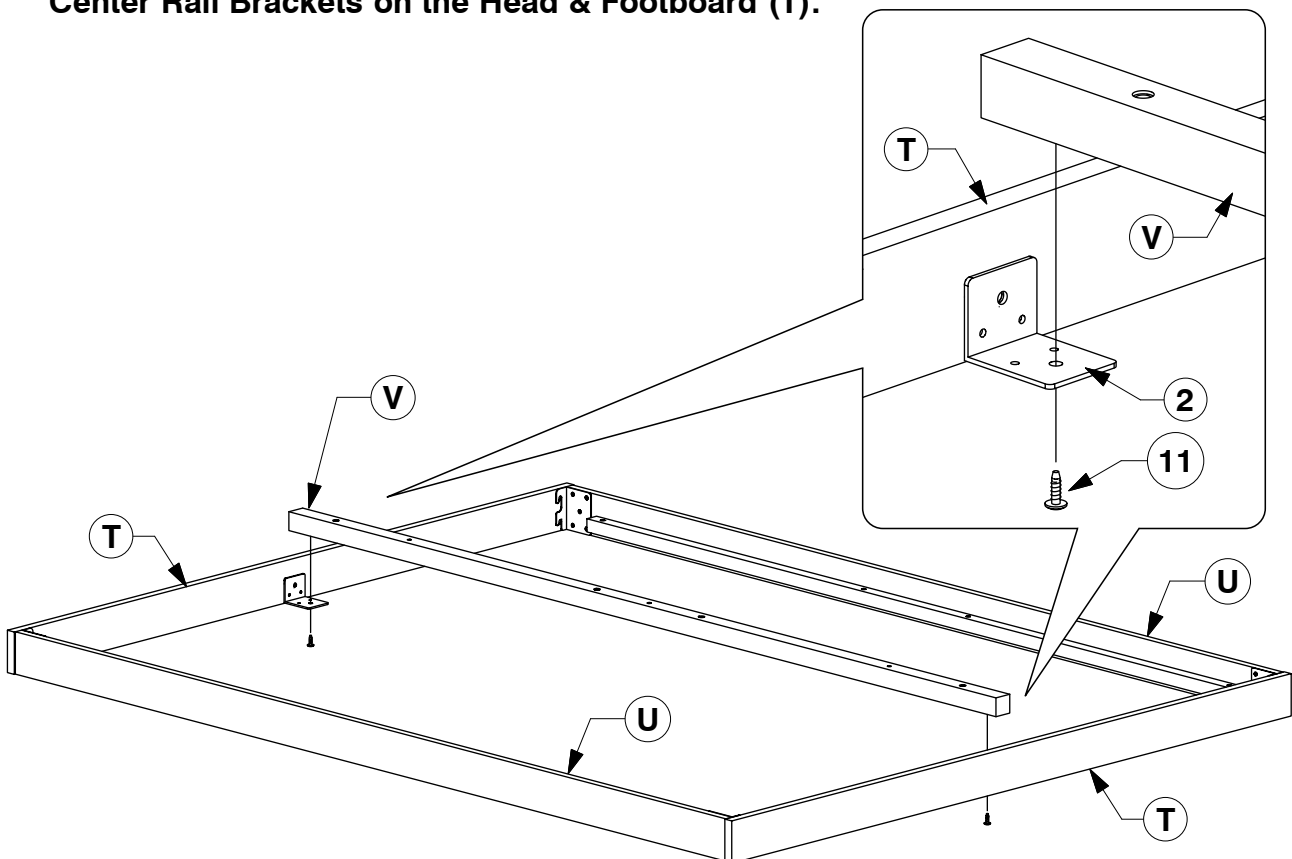
Assembly Instructions

WI-1219

- 23** Assemble the Side Rail (U) to the Head / Footboard (T).



- 24** Bolt the Long Support (V) to the Center Rail Brackets on the Head & Footboard (T).

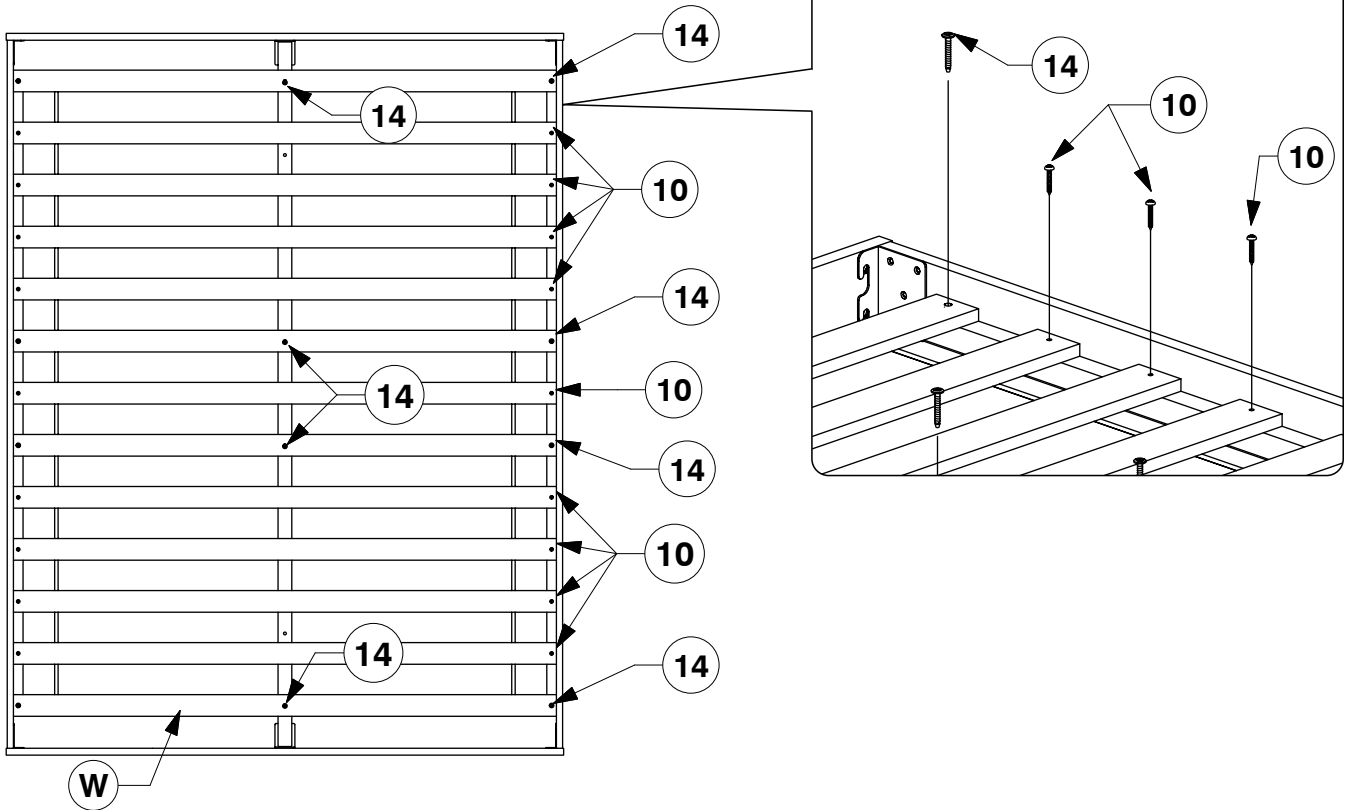


0031 Queen Bed

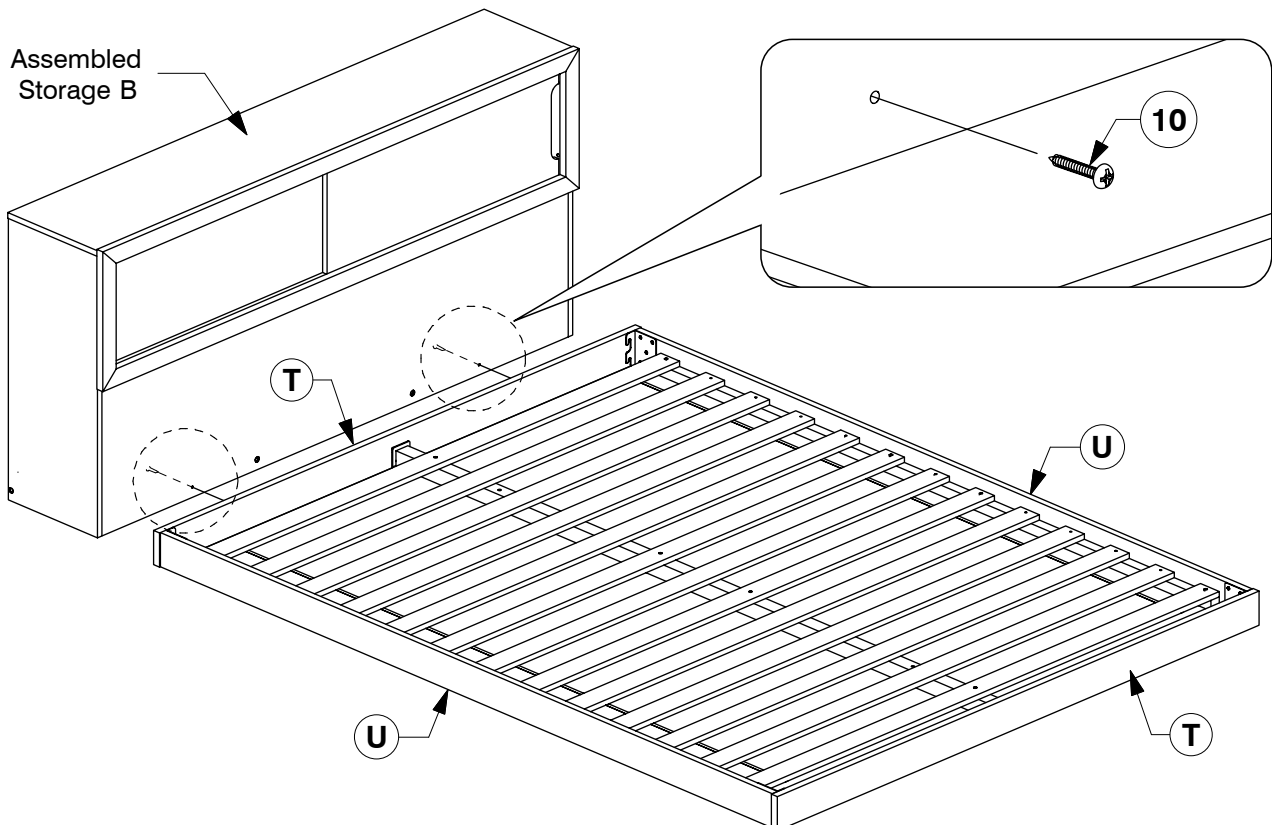
Assembly Instructions

WI-1219

25 Bolt & screw the Bed Slats (W) to the Side Rail.



26 Fit the Assembled Storage B to the Headboard.

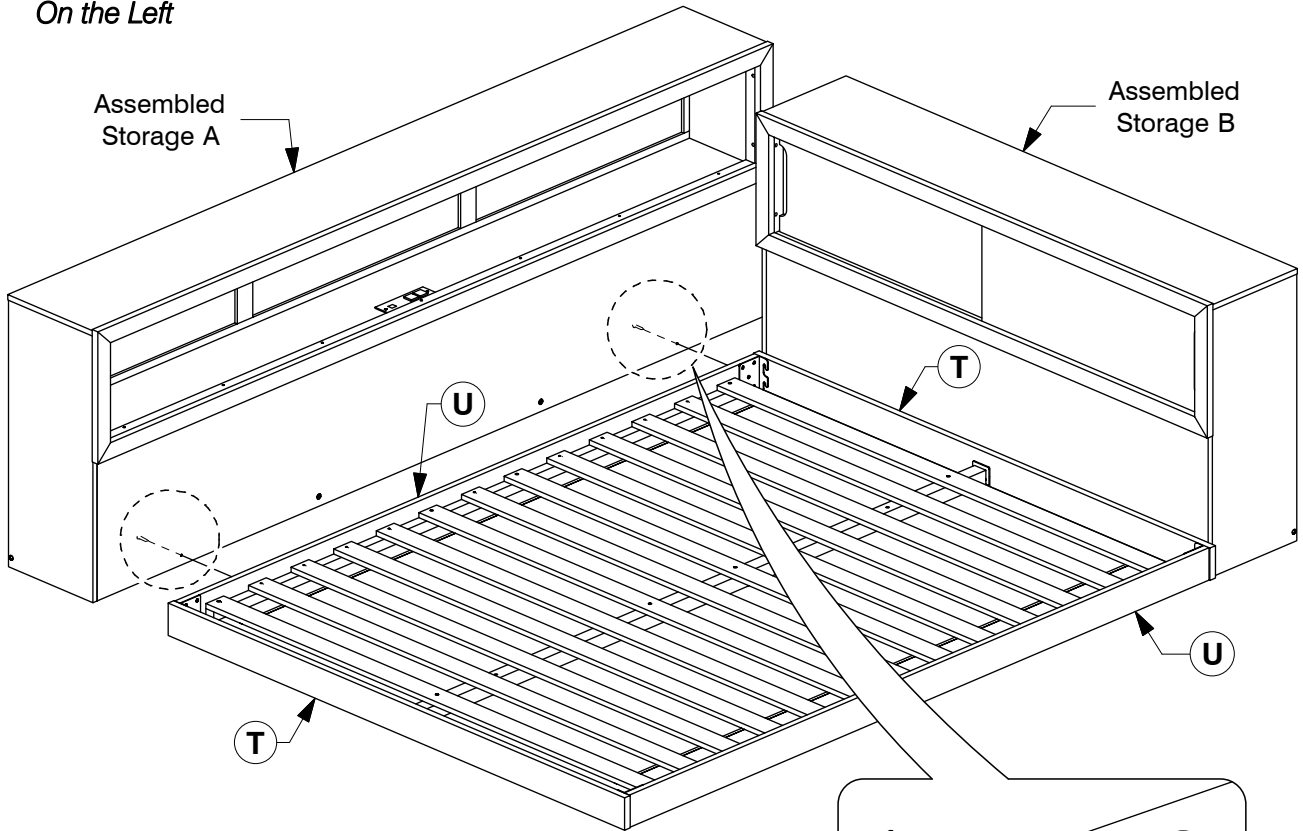


0031 Queen Bed

Assembly Instructions

27 Storage can be assembled on the left or on the right.

On the Left



Assemble the Assembled Storage A to the Side Rail (U).

On the Right

