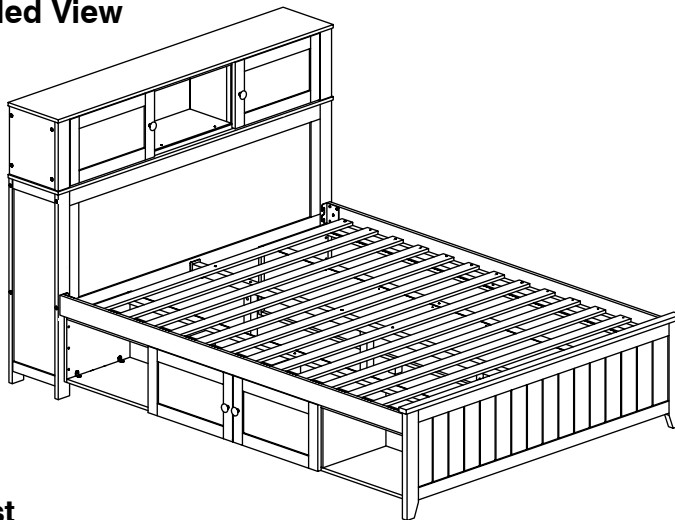


0029 Queen Bed

Assembly Instructions

WII-1219

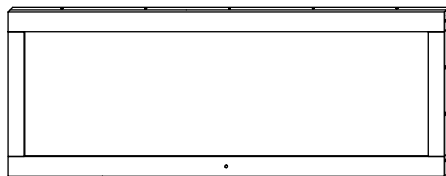
1 Assembled View



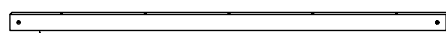
Note: Do not assemble using power tools. This can cause the bolts to be overtightened

2 Parts List

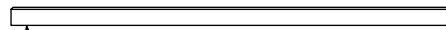
Parts in Box A:



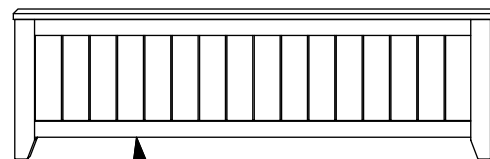
A Headboard Panel x 1



B Headboard Rear Top Rail x 1



C Headboard Rear Bottom Rail x 1

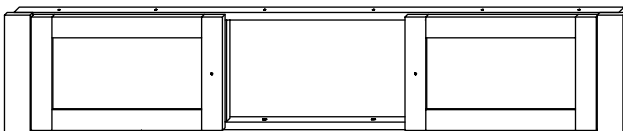


D Footboard x 1

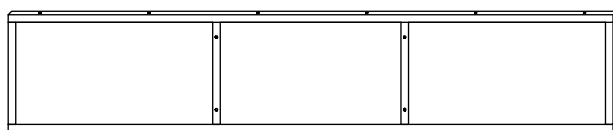
Parts in Box B:



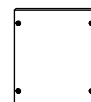
E Headboard / Upper Storage Top Panel x 2



F Upper Storage Front Frame x 1



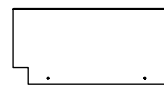
G Upper Storage Rear Frame x 1



H Upper Storage Side Panel x 2



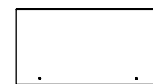
J Upper Storage Divider x 2



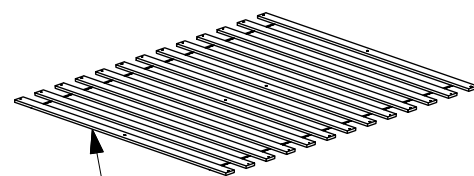
K Upper Storage Base (Left Hand) x 1



L Upper Storage Base (Right Hand) x 1



M Upper Storage Base (Middle) x 1



N Set of Bed Slats x 1

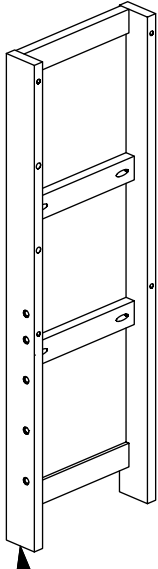
0029 Queen Bed

Assembly Instructions

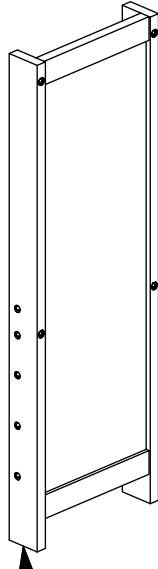
WII-1219

2 Part List

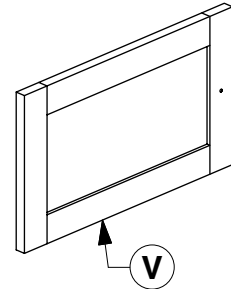
Parts in Box C:



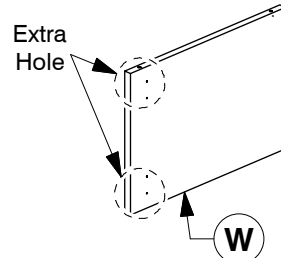
O Headboard Side Panel (Left Hand) x 1



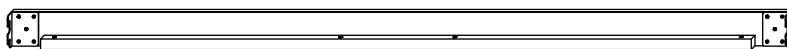
P Headboard Side Panel (Right Hand) x 1



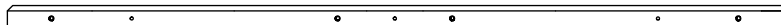
V Lower Storage Door Panel x 4



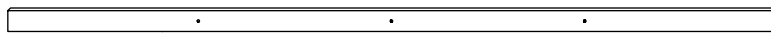
W Lower Storage Divider x 6



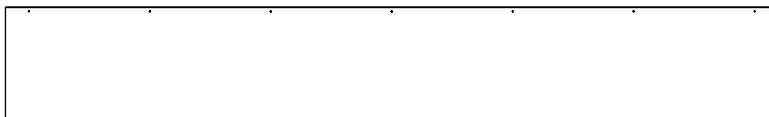
Q Side Rail x 2



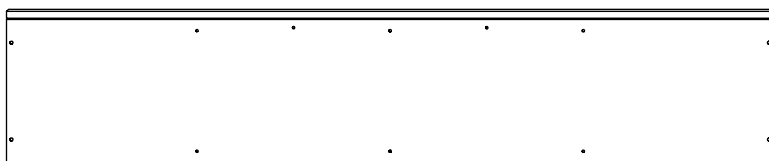
R Long Support x 1



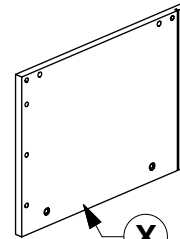
S Lower Storage Support Rail x 4



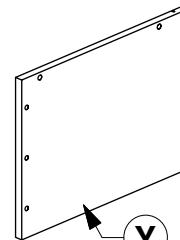
T Lower Storage Back Panel x 2



U Lower Storage Bottom Panel x 2



X Lower Storage Side Panel (Left Hand) x 2



Y Lower Storage Side Panel (Right Hand) x 2



Z Lower Storage Foot x 4



Z1 Short Support Leg x 3



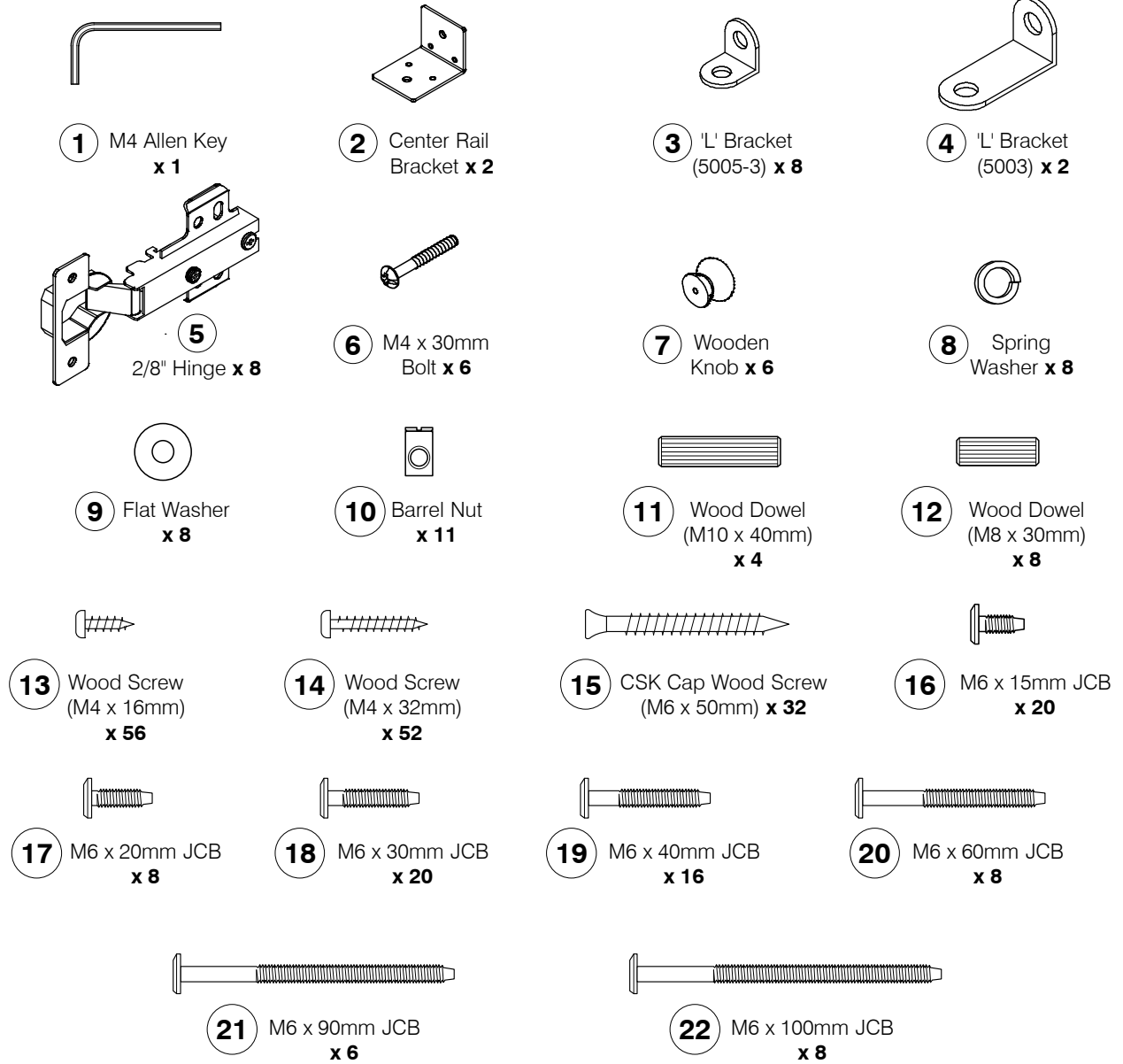
Z2 Support Leg x 3

0029 Queen Bed

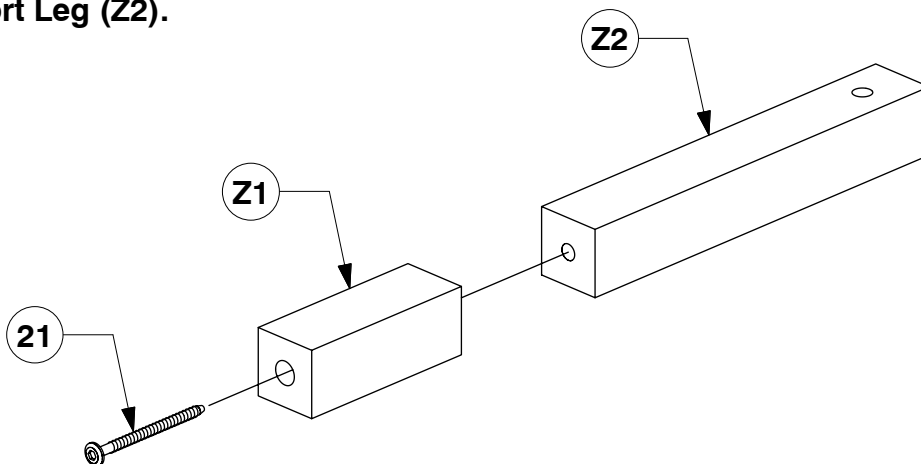
Assembly Instructions

WII-1219

3 Hardware List



4 Fit the Short Support Leg (Z1) to the Support Leg (Z2).

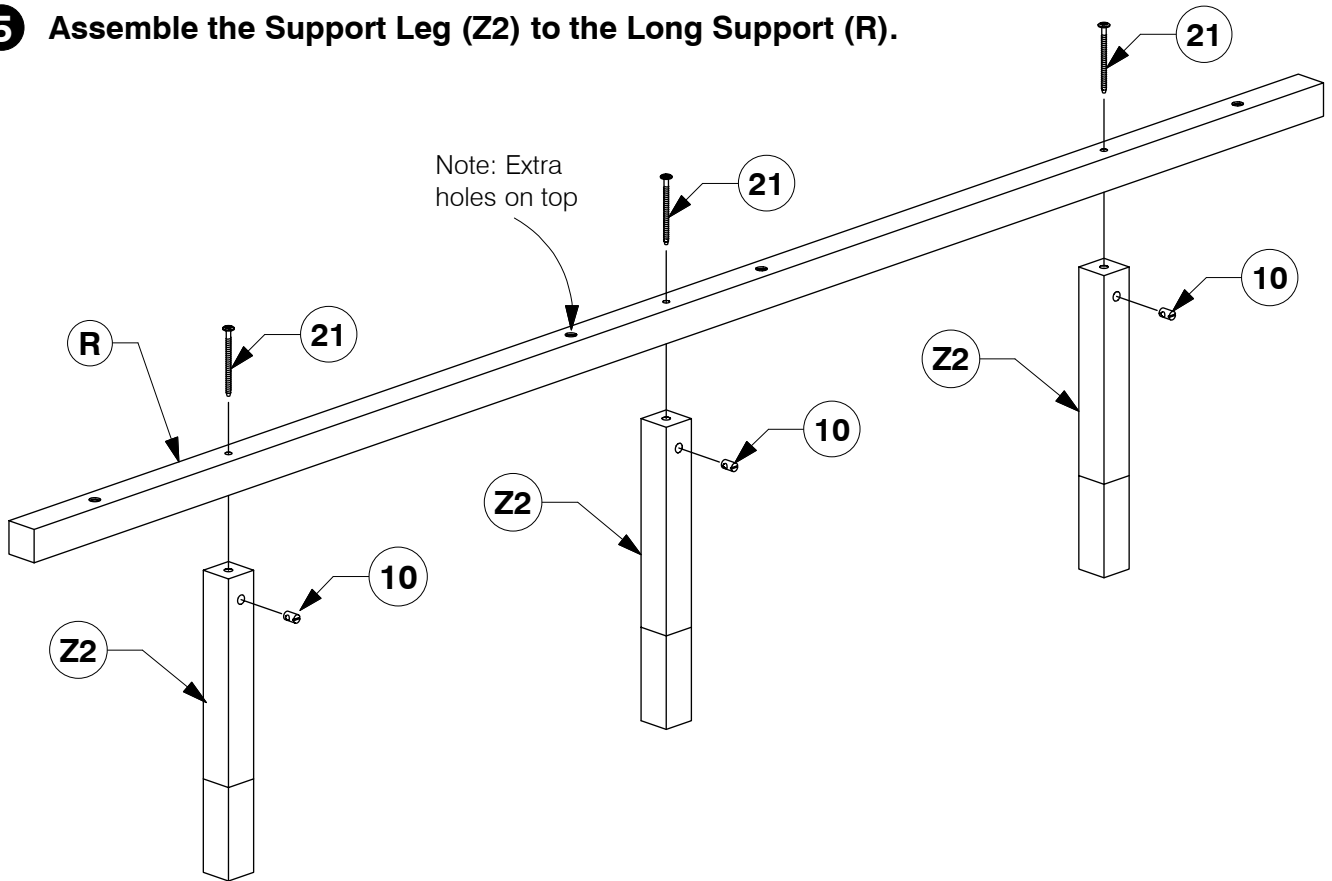


0029 Queen Bed

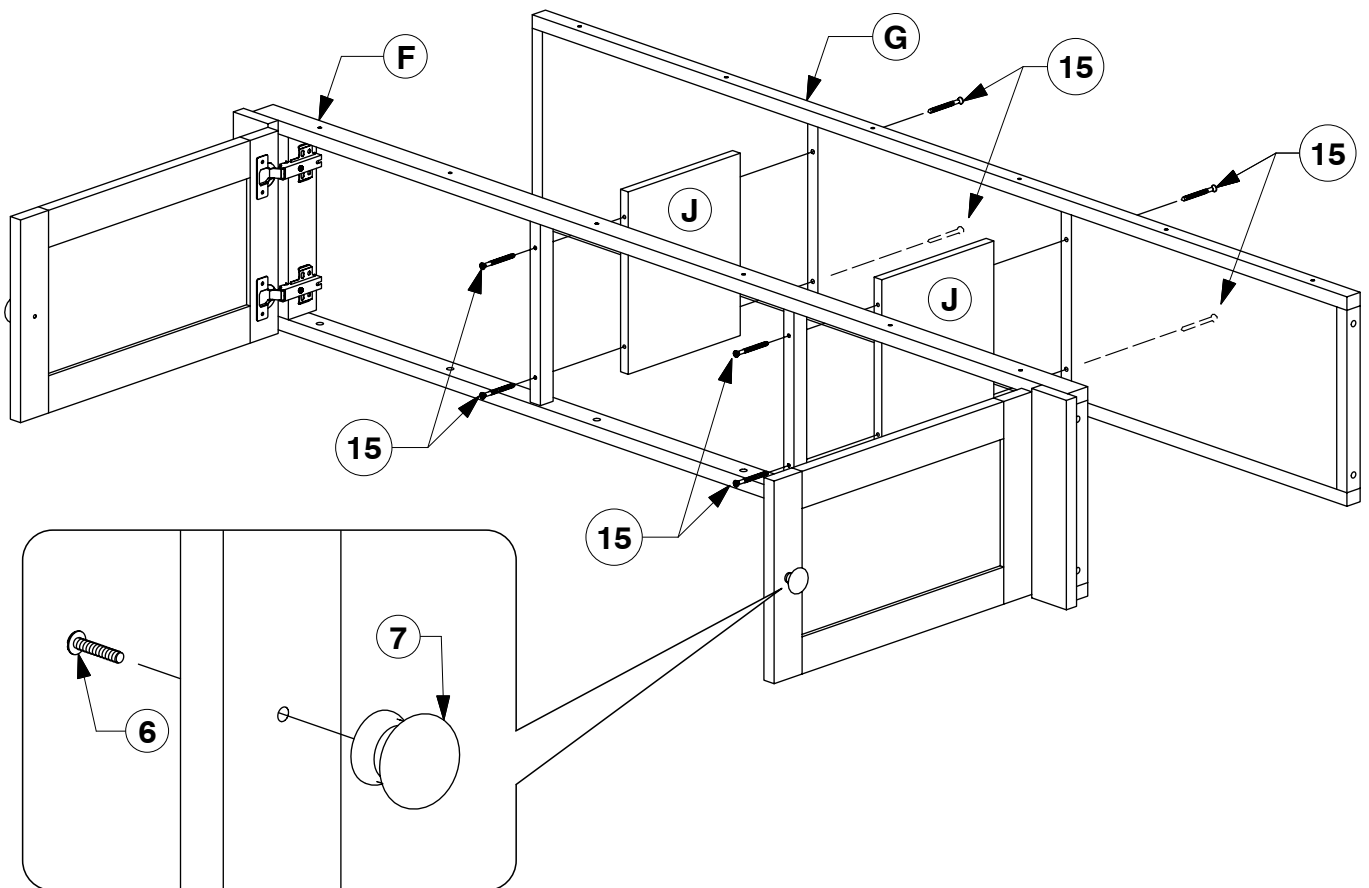
Assembly Instructions

WII-1219

5 Assemble the Support Leg (Z2) to the Long Support (R).



6 Assemble the Upper Storage Divider (J) to the Upper Storage Frames (F & G).

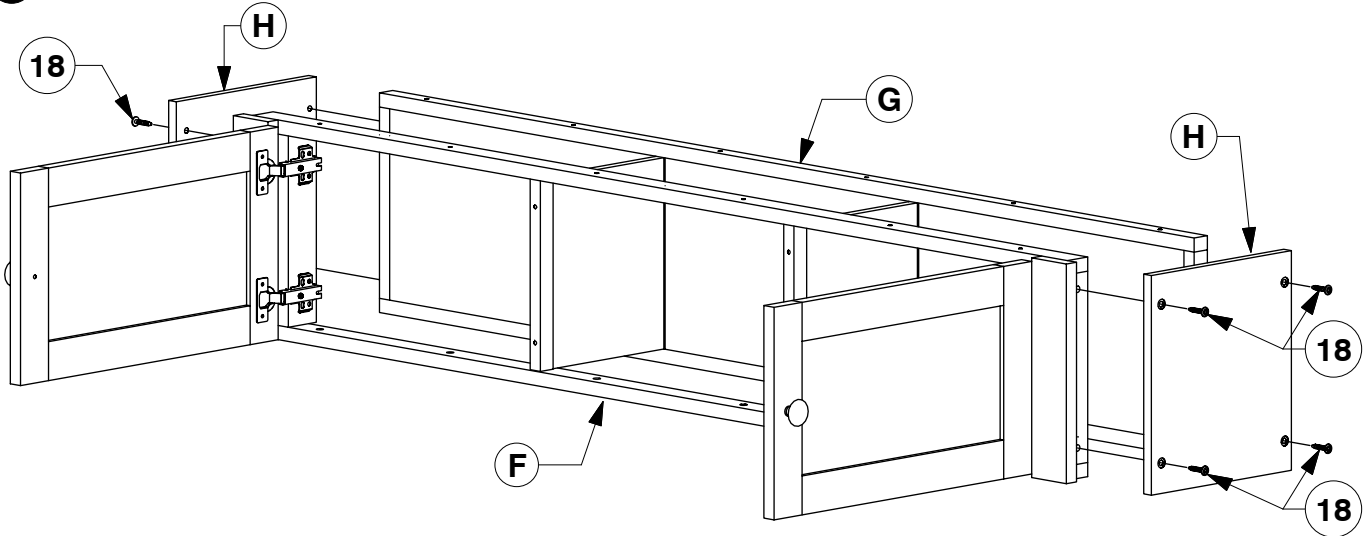


0029 Queen Bed

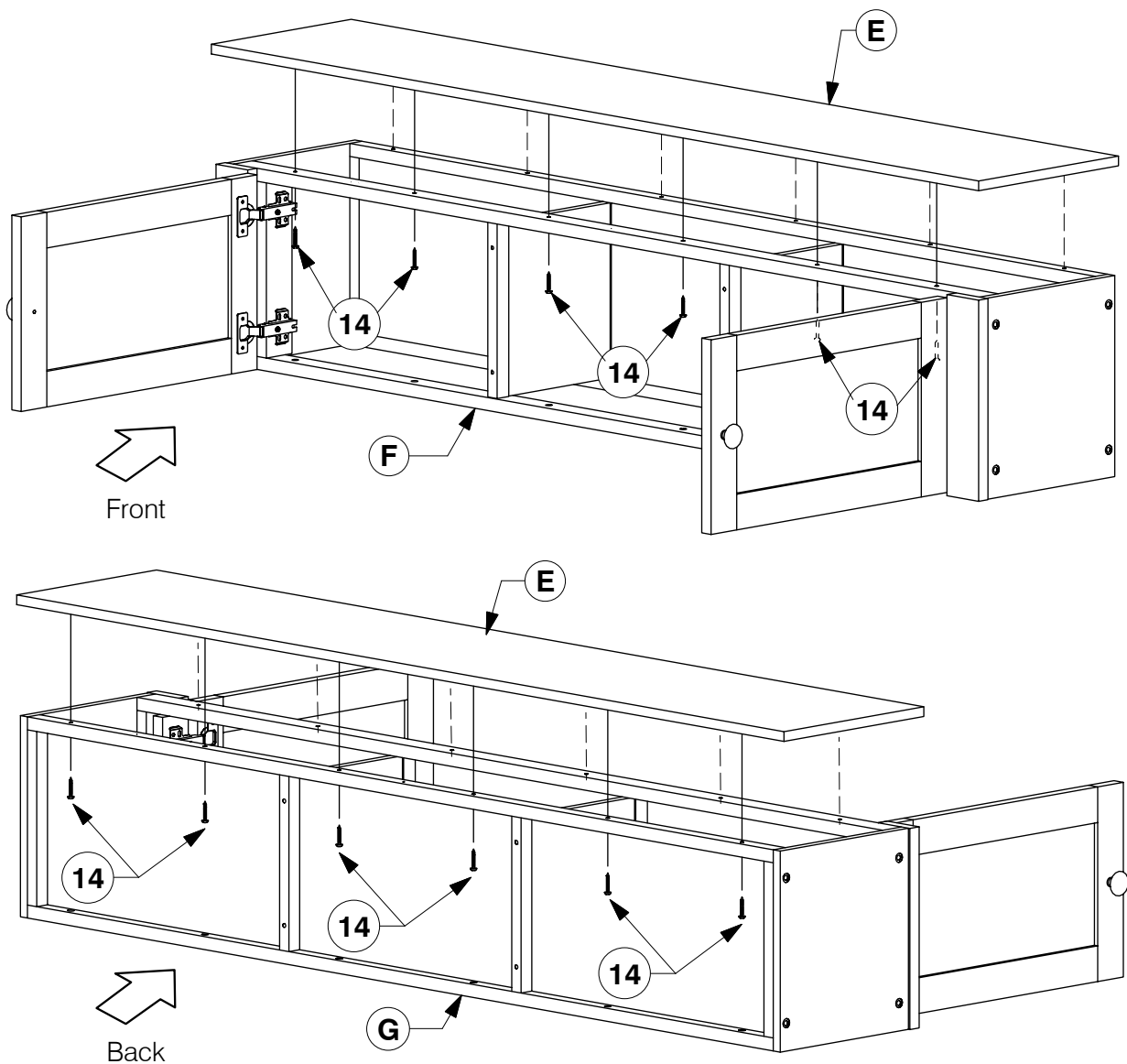
Assembly Instructions

WII-1219

7 Fit the Upper Storage Side Panel (H) to the Frame.



8 Assemble the Headboard / Upper Storage Top Panel (E) to the Frame.

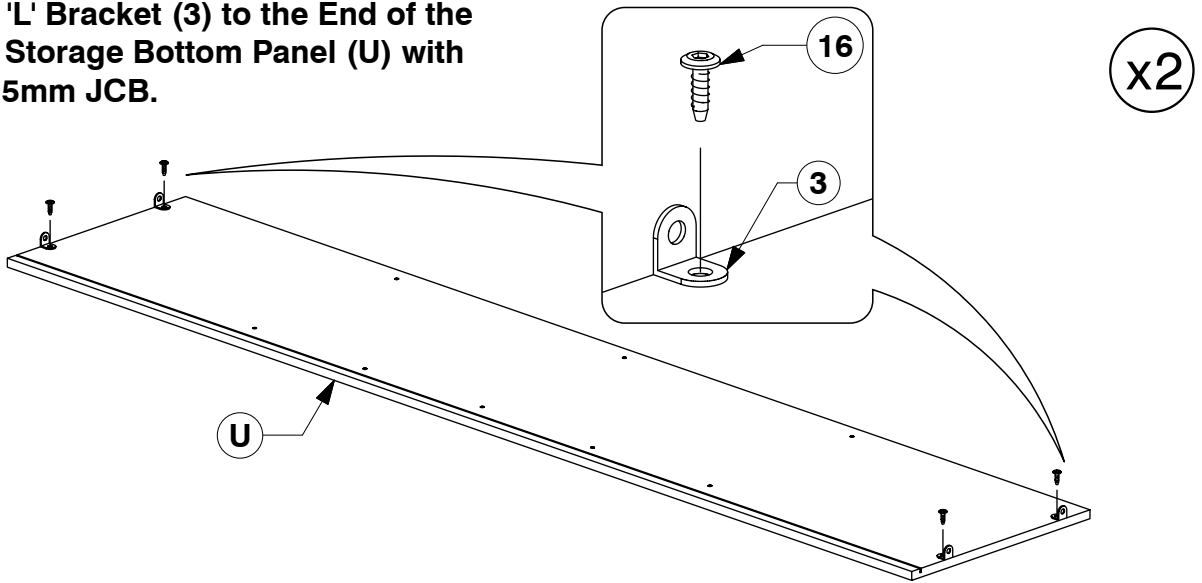


0029 Queen Bed

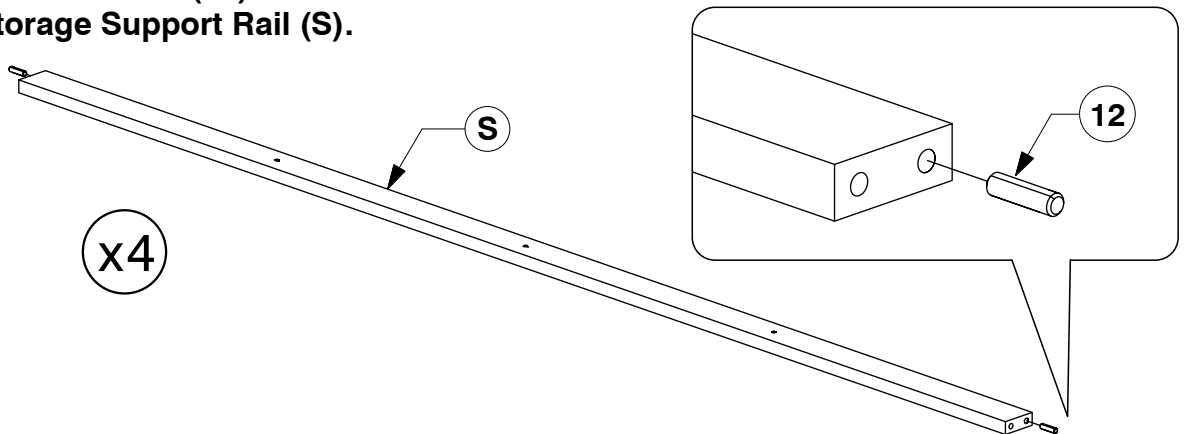
Assembly Instructions

WII-1219

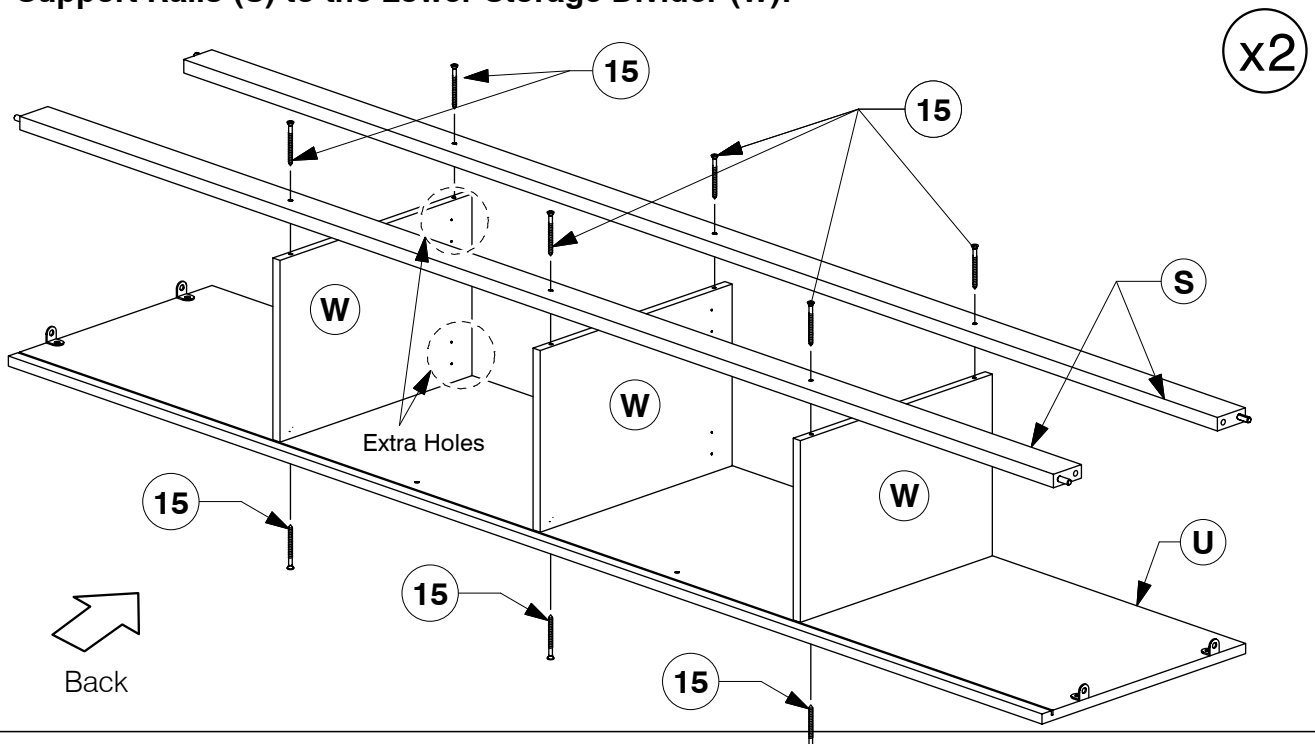
- 9** Fit the 'L' Bracket (3) to the End of the Lower Storage Bottom Panel (U) with M6 x 15mm JCB.



- 10** Tap the Wood Dowel (12) to the end of the Lower Storage Support Rail (S).



- 11** Assemble the Lower Storage Bottom Panel (U) & Lower Storage Support Rails (S) to the Lower Storage Divider (W).



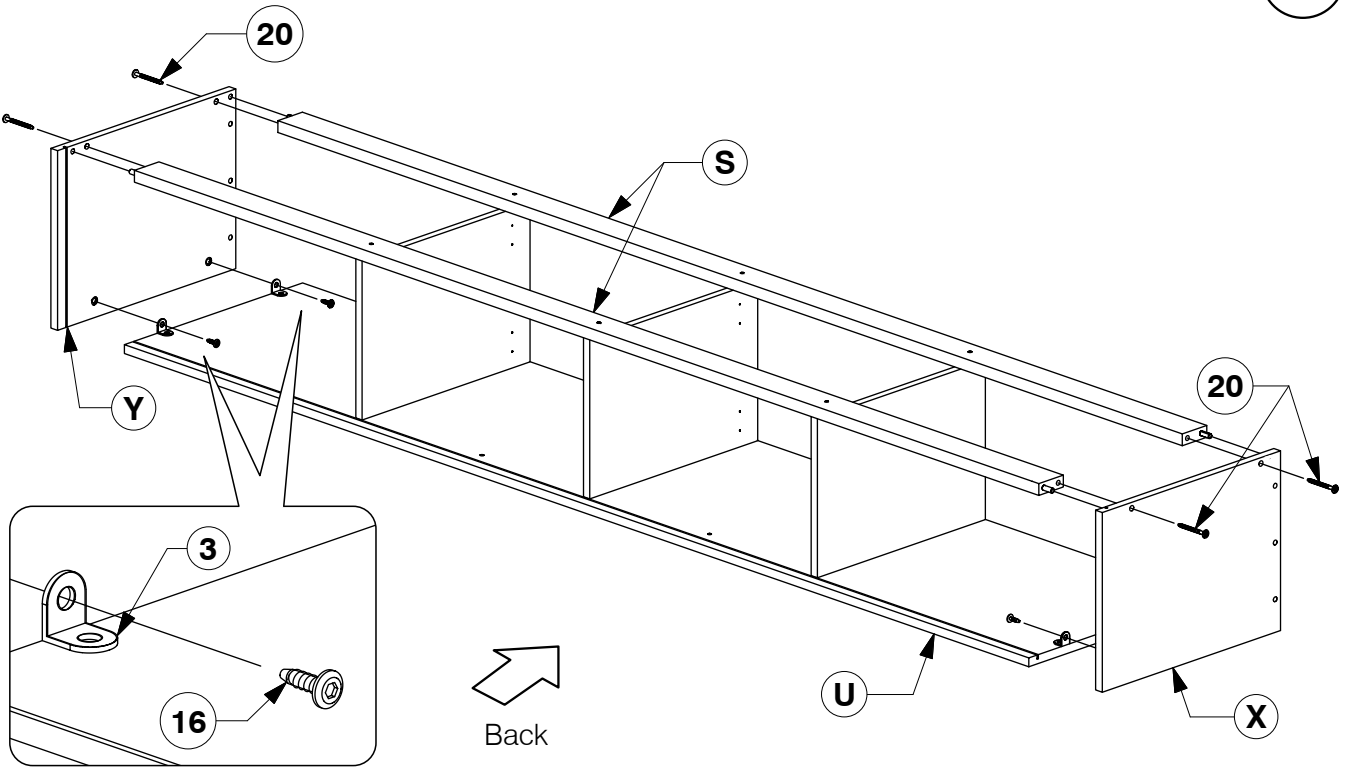
0029 Queen Bed

Assembly Instructions

WII-1219

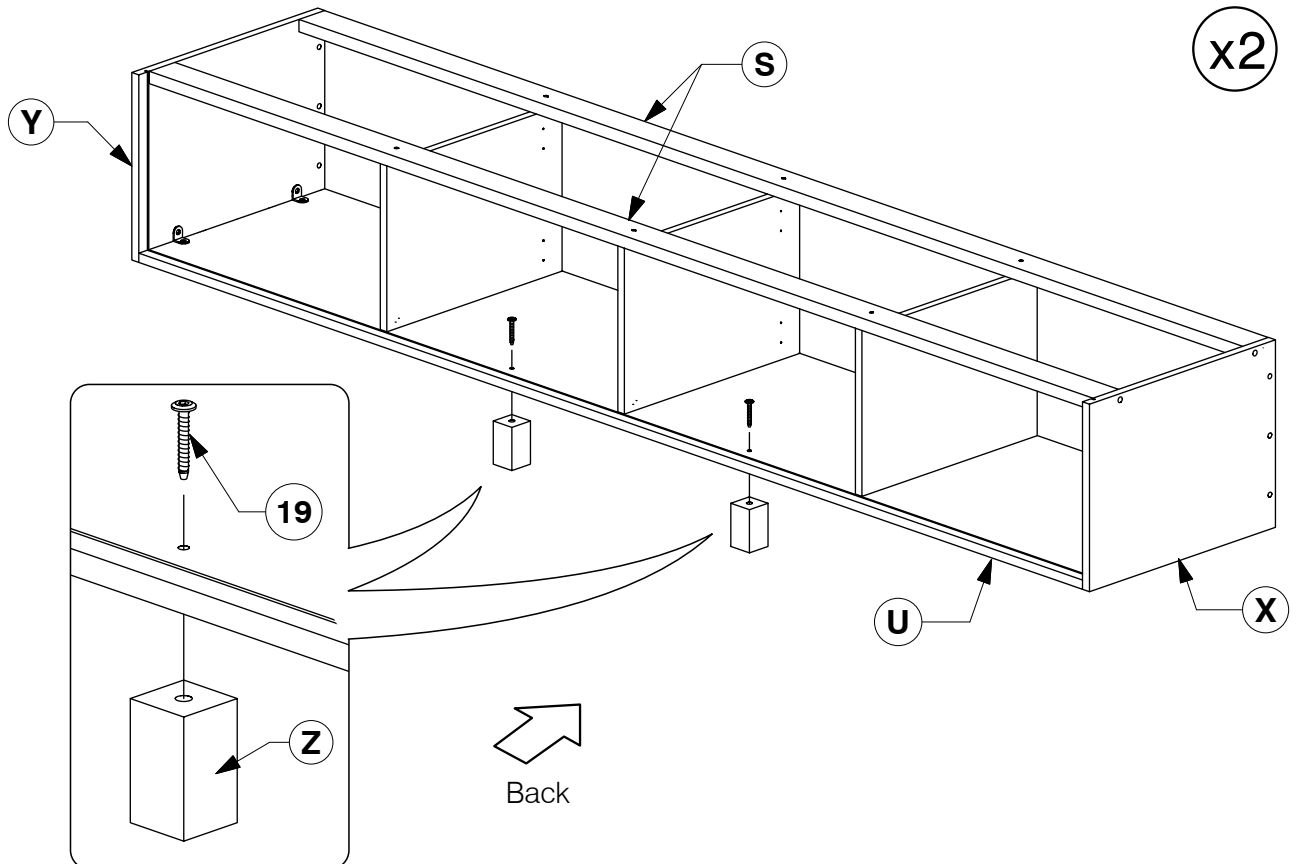
- 12** Assemble the left & right Lower Storage Side Panel (X & Y) to the Lower Storage Bottom Panel (U) & Lower Storage Support Rails (S).

x2



- 13** Fit the Lower Storage Foot (Z) to the Lower Storage Bottom Panel (U).

x2



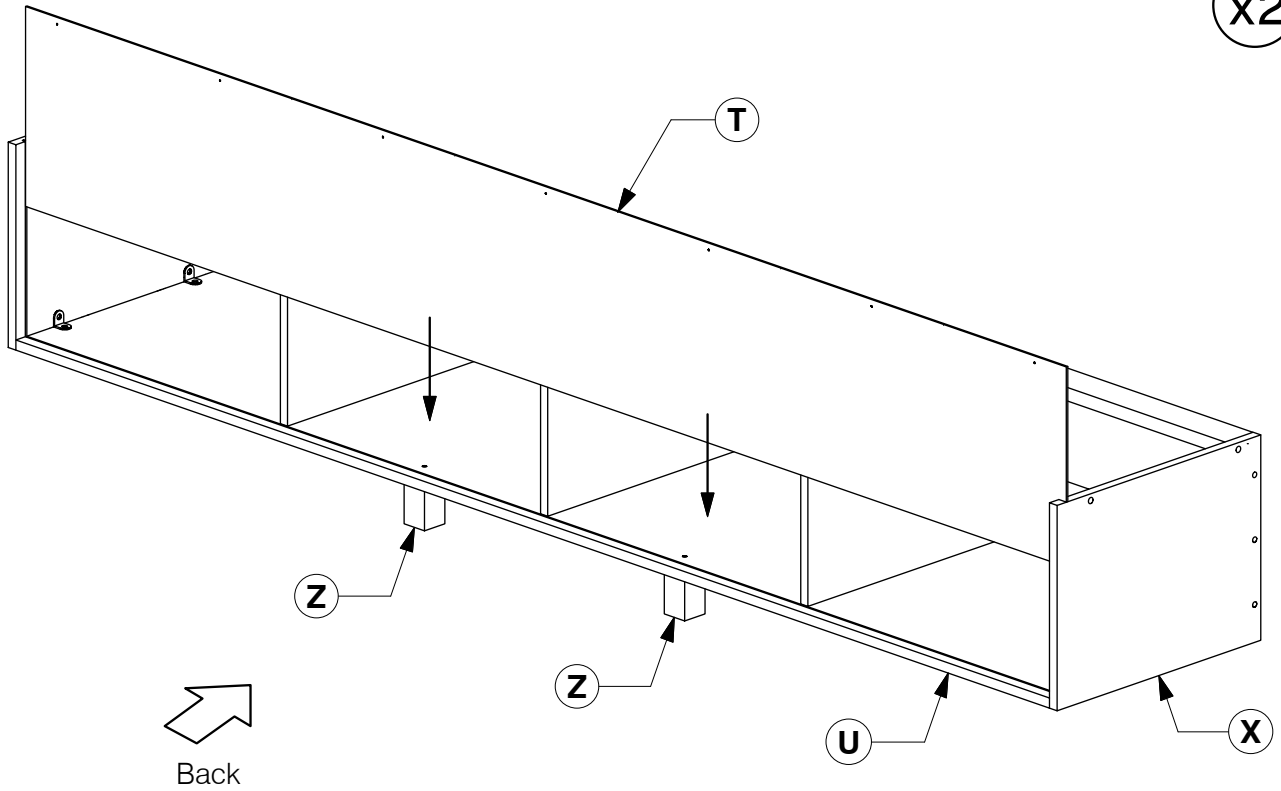
0029 Queen Bed

Assembly Instructions

WII-1219

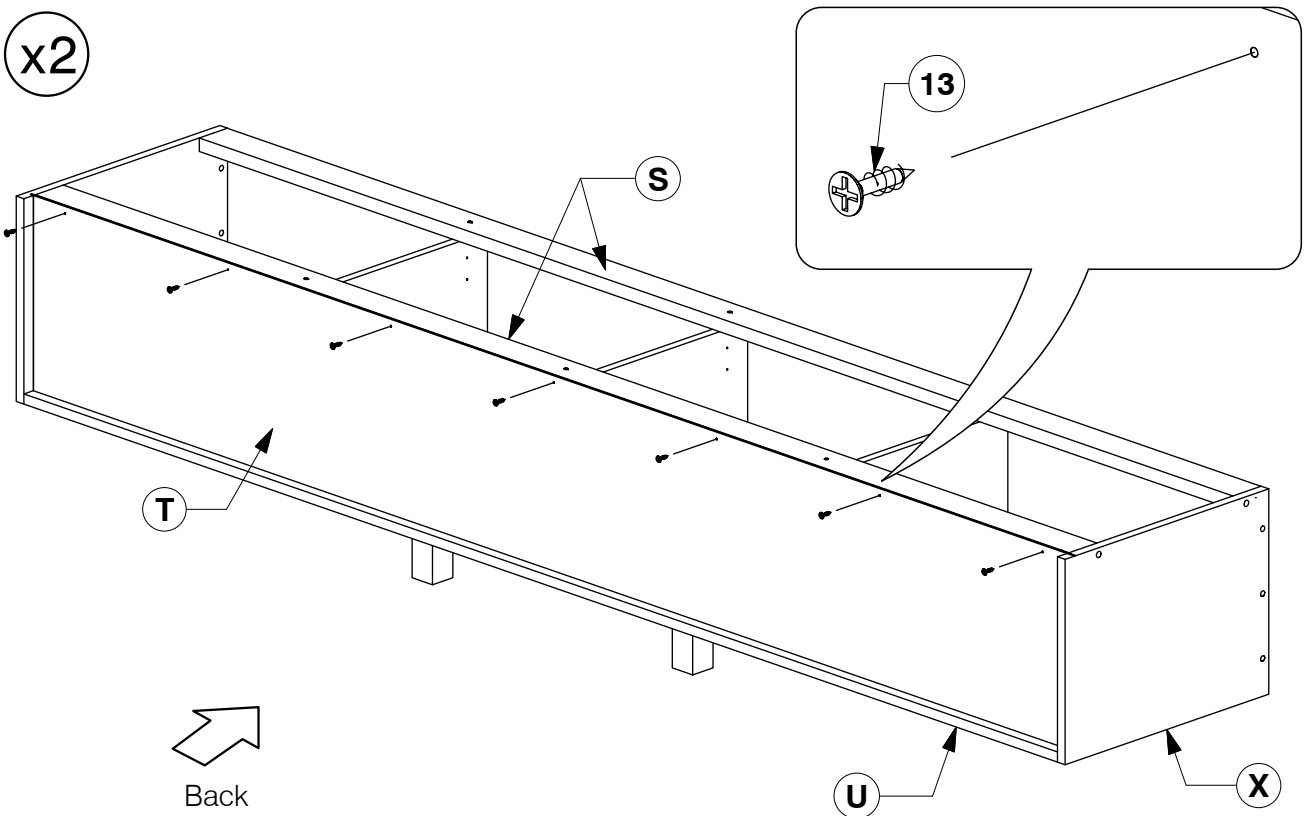
- 14** Slide the Lower Storage Back Panel (T) into the groove.

x2



- 15** Fit the Lower Storage Back Panel (T) in place.

x2



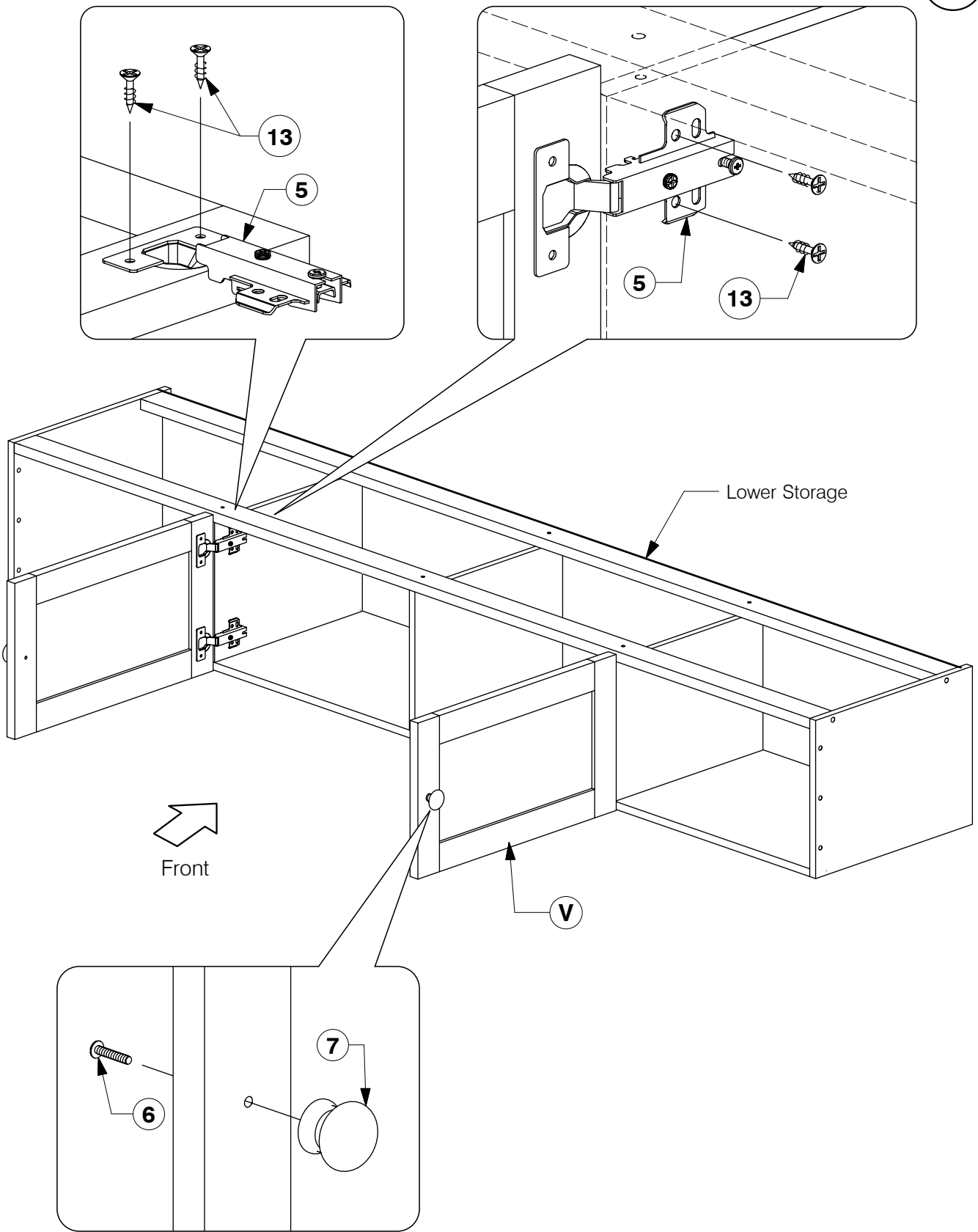
0029 Queen Bed

Assembly Instructions

WI1-1219

16 Fit the Lower Storage Door Panel (V).

x2

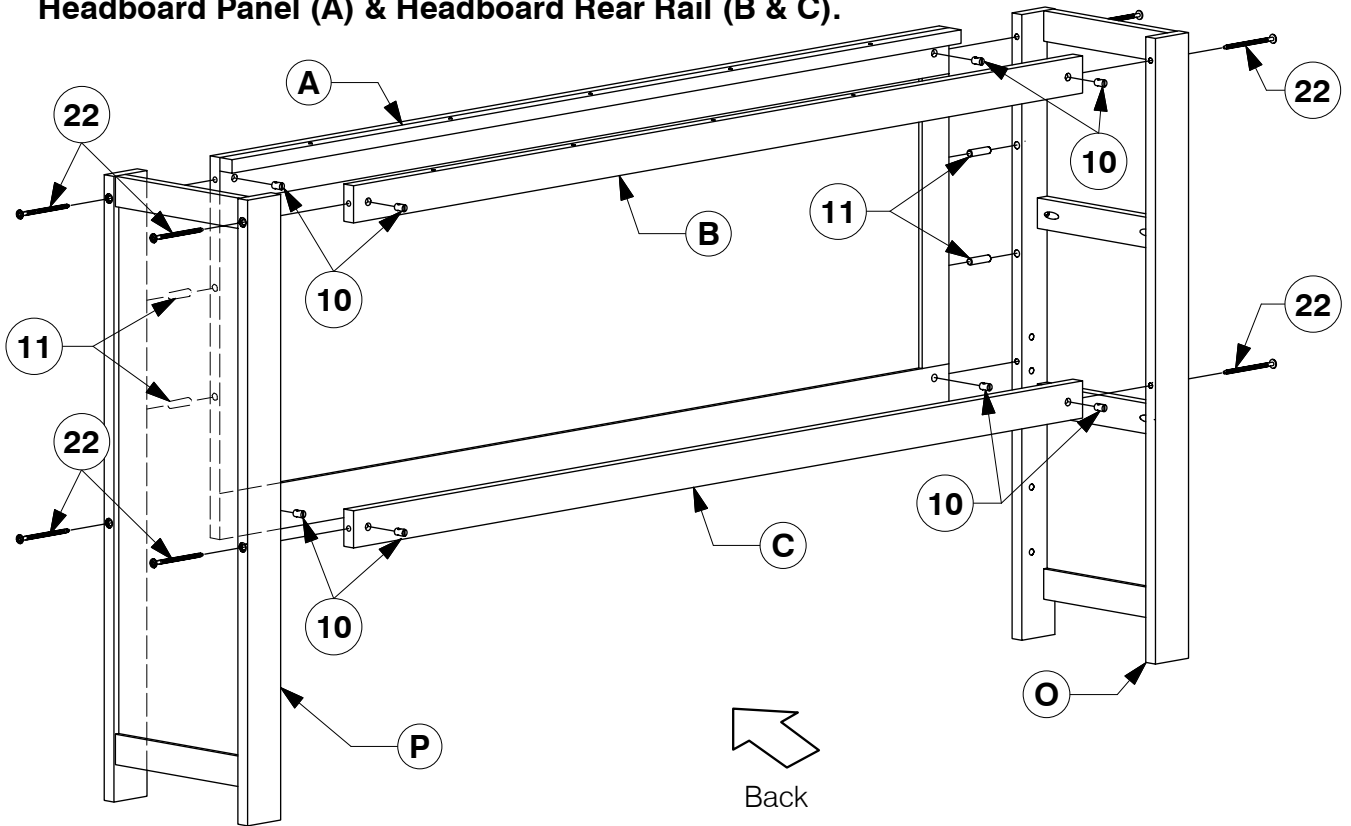


0029 Queen Bed

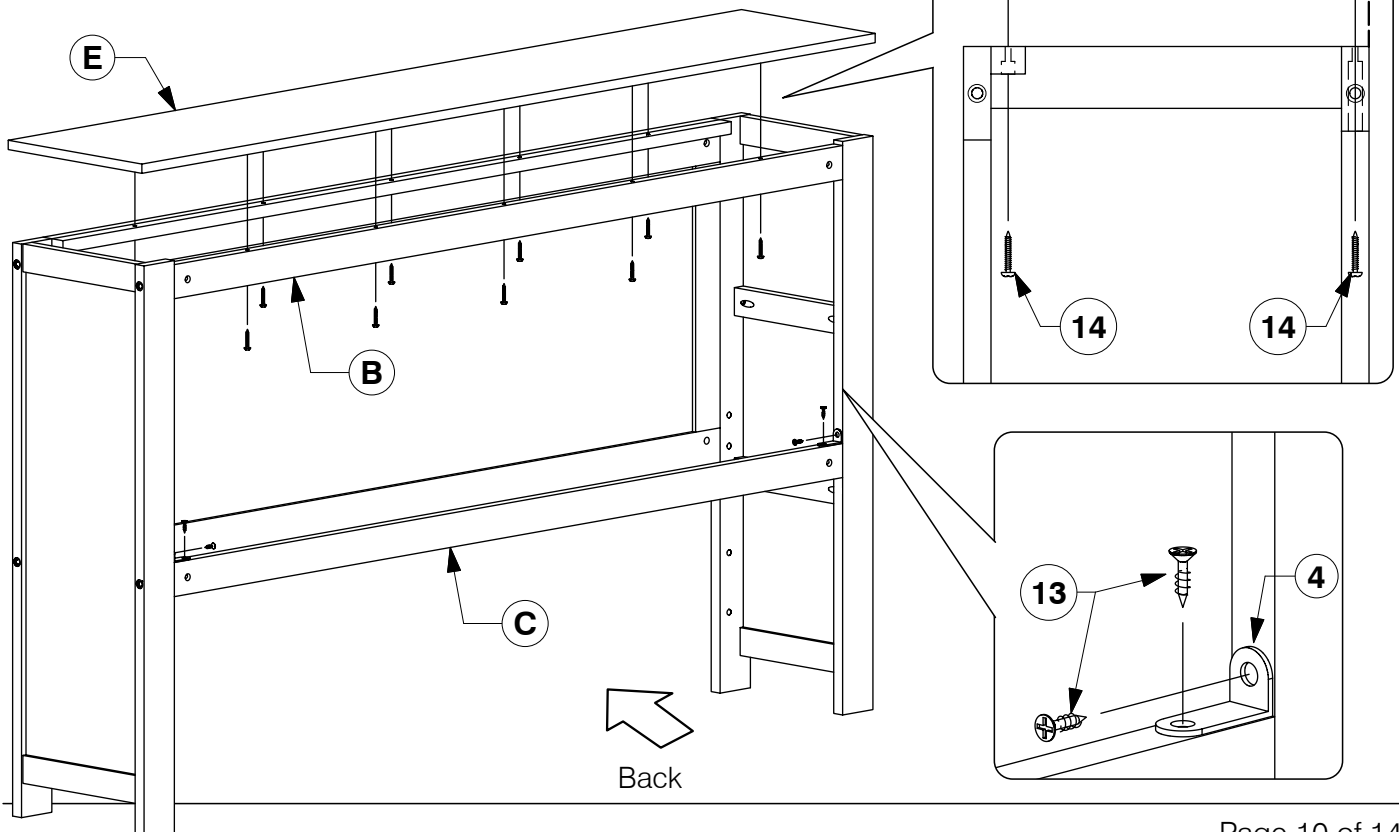
Assembly Instructions

WII-1219

- 17** Assemble the left & right Headboard Side Panel (O & P) to the Headboard Panel (A) & Headboard Rear Rail (B & C).



- 18** Fit the Headboard / Upper Storage Top Panel (E). Tighten the Headboard Rear Bottom Rail (C) to Headboard Side Panel (O & P) with Wood Screw & Bracket.

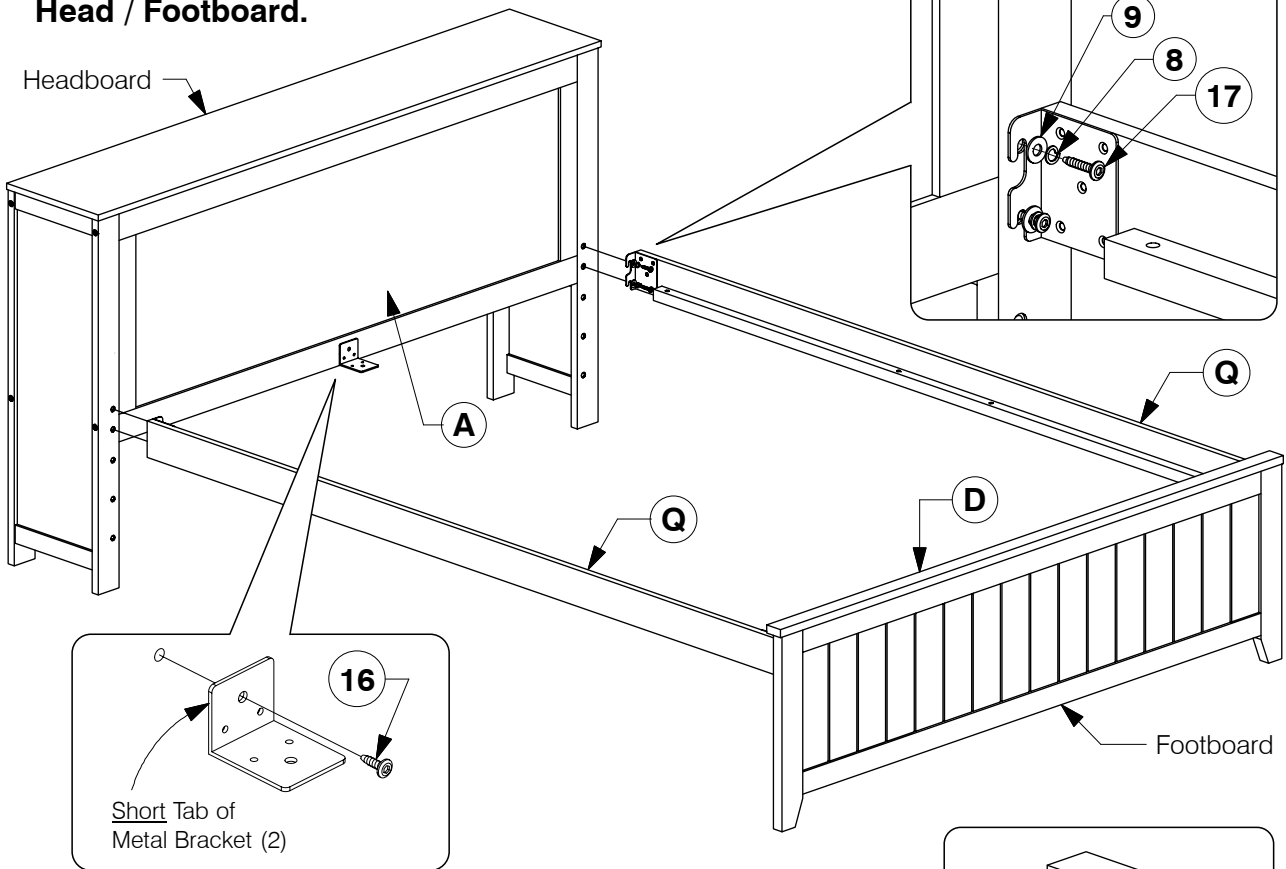


0029 Queen Bed

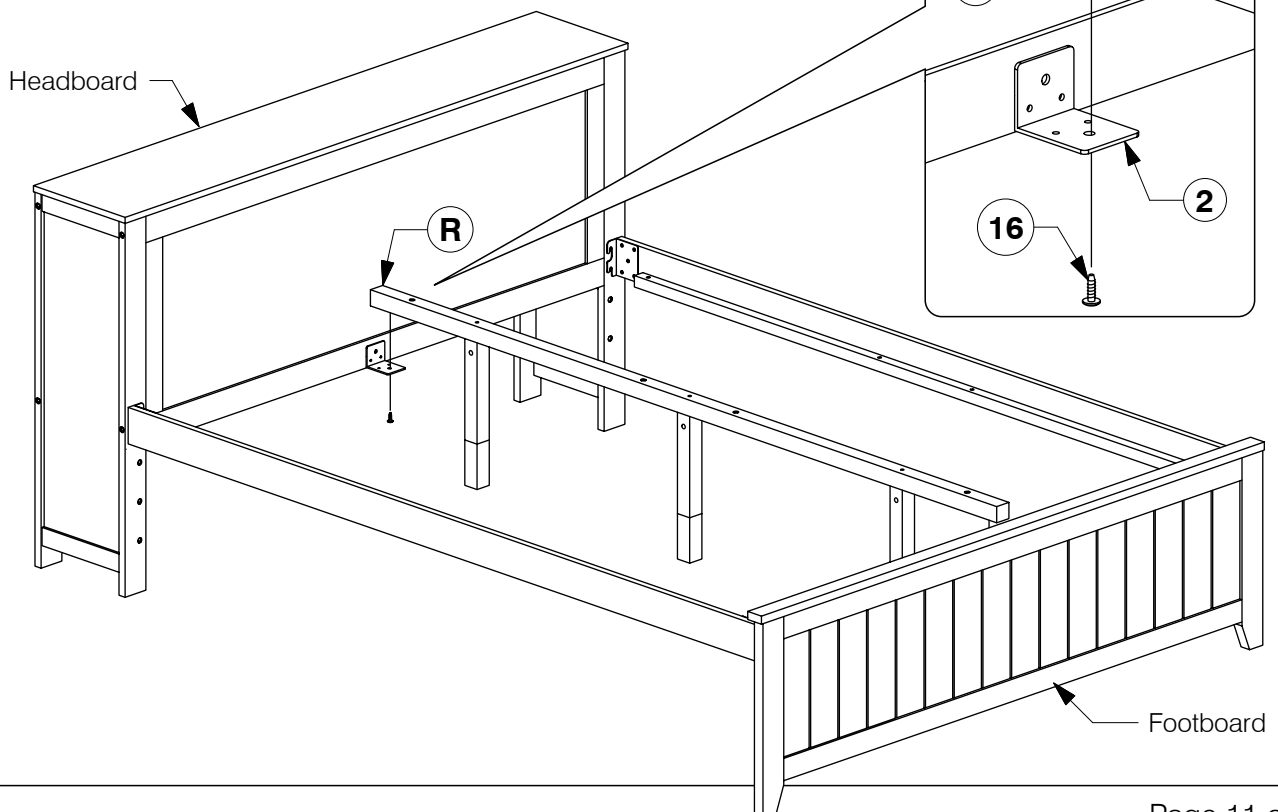
Assembly Instructions

WII-1219

- 19 Assemble the Side Rail (Q) to the Headboard & Footboard. Fit the Center Rail Bracket to the Head / Footboard.**



- 20 Bolt the Long Support (R) to the Center Rail Brackets on the Head & Footboard.**

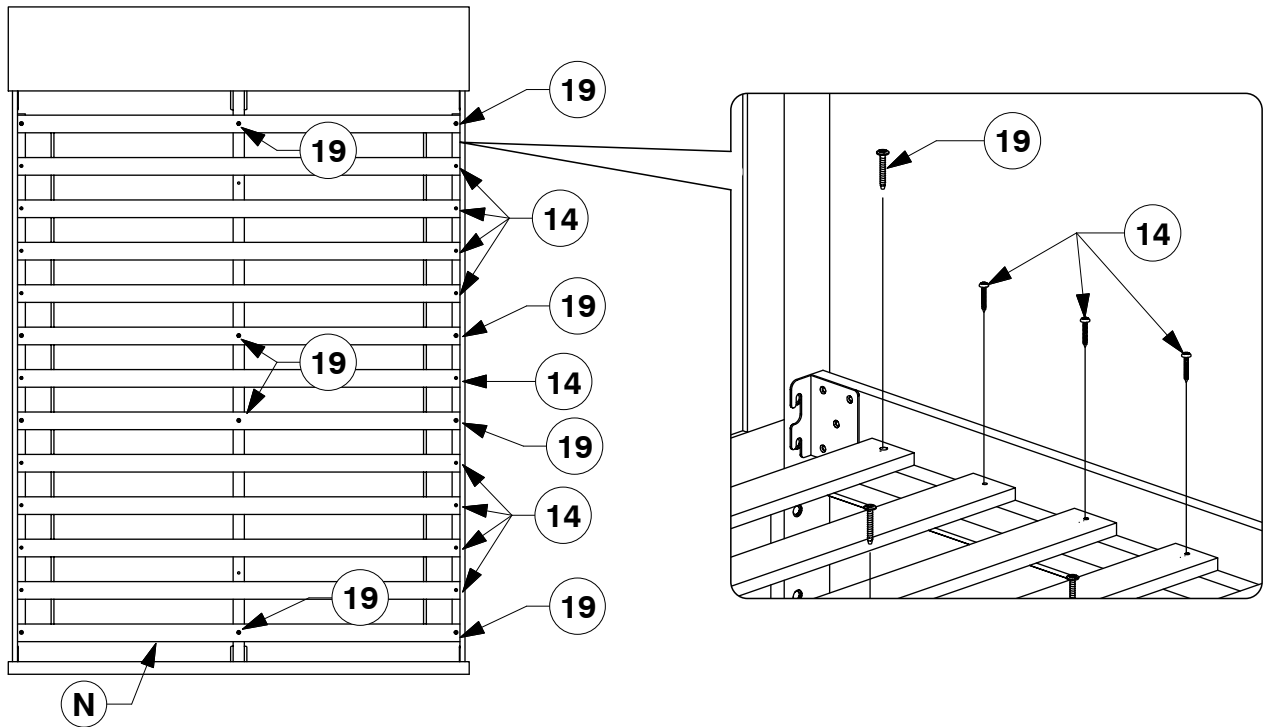


0029 Queen Bed

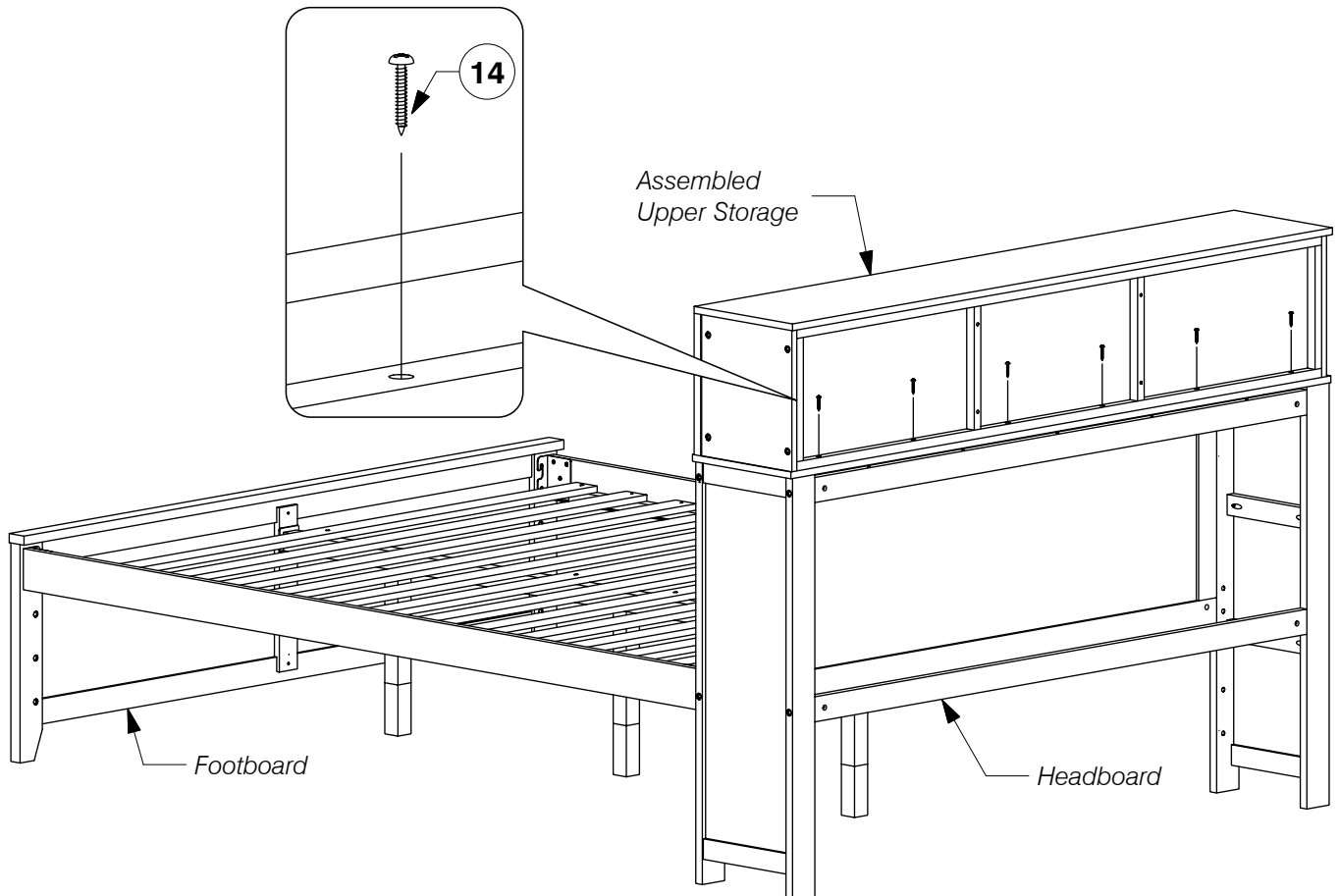
Assembly Instructions

WII-1219

- 21** Bolt & screw the Bed Slats (N) to the Side Rail.



- 22** Fit the Assembled Upper Storage on the top of the Headboard and secure with M4 x 32mm Wood Screws.

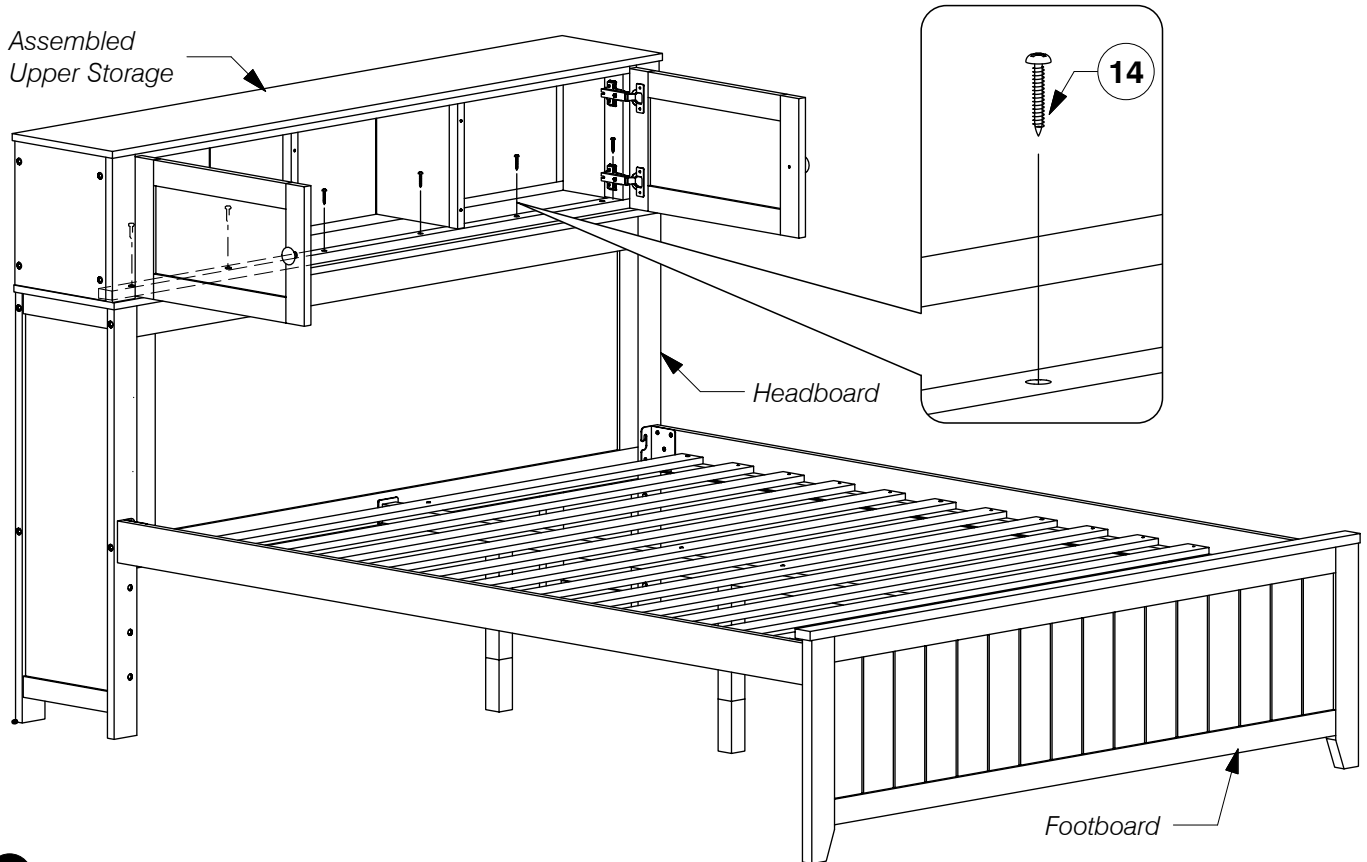


0029 Queen Bed

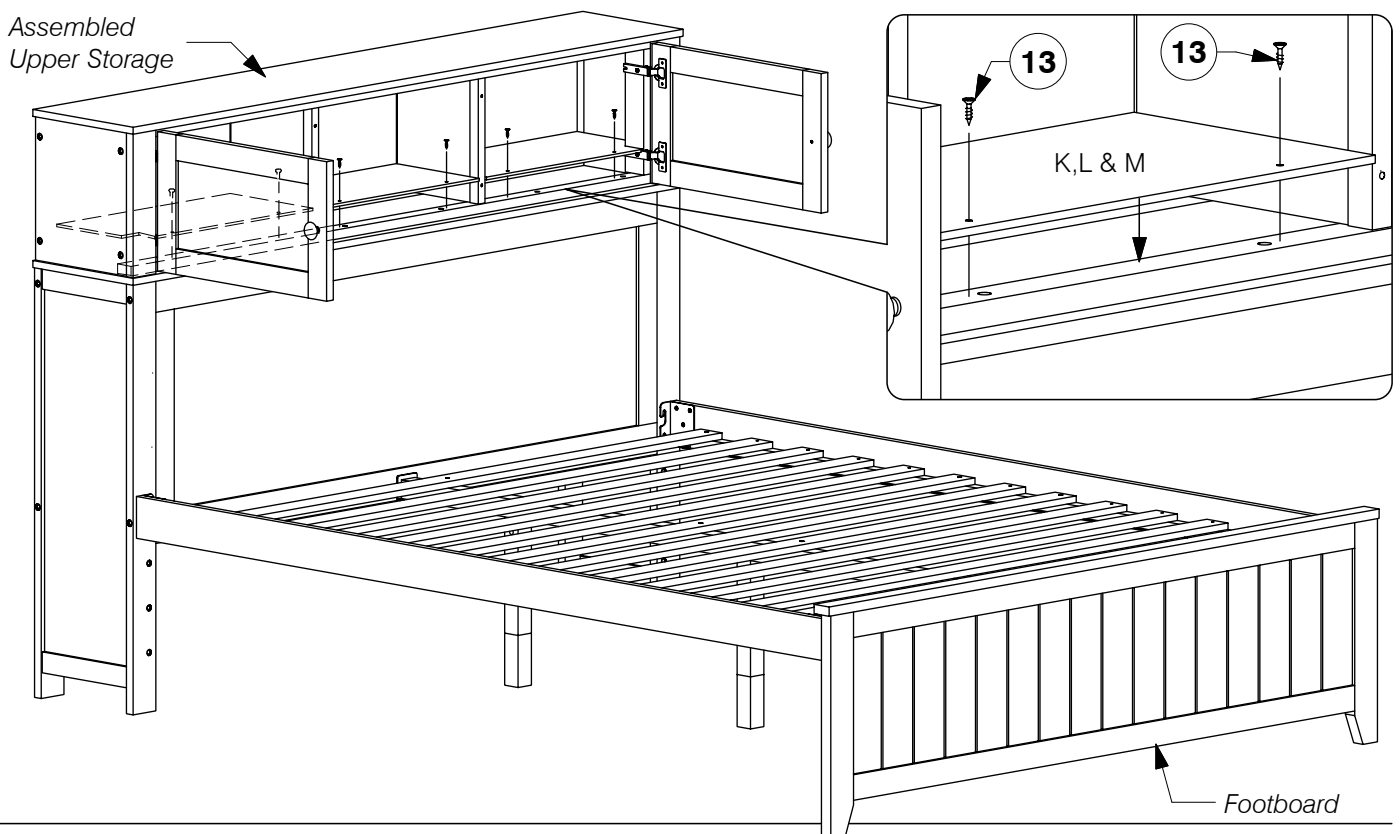
Assembly Instructions

WII-1219

- 23** Fit the Assembled Upper Storage on the top of the Headboard and secure with M4 x 32mm Wood Screws.



- 24** Fit the Upper Storage Base (K,L & M) to the inside of the storage.

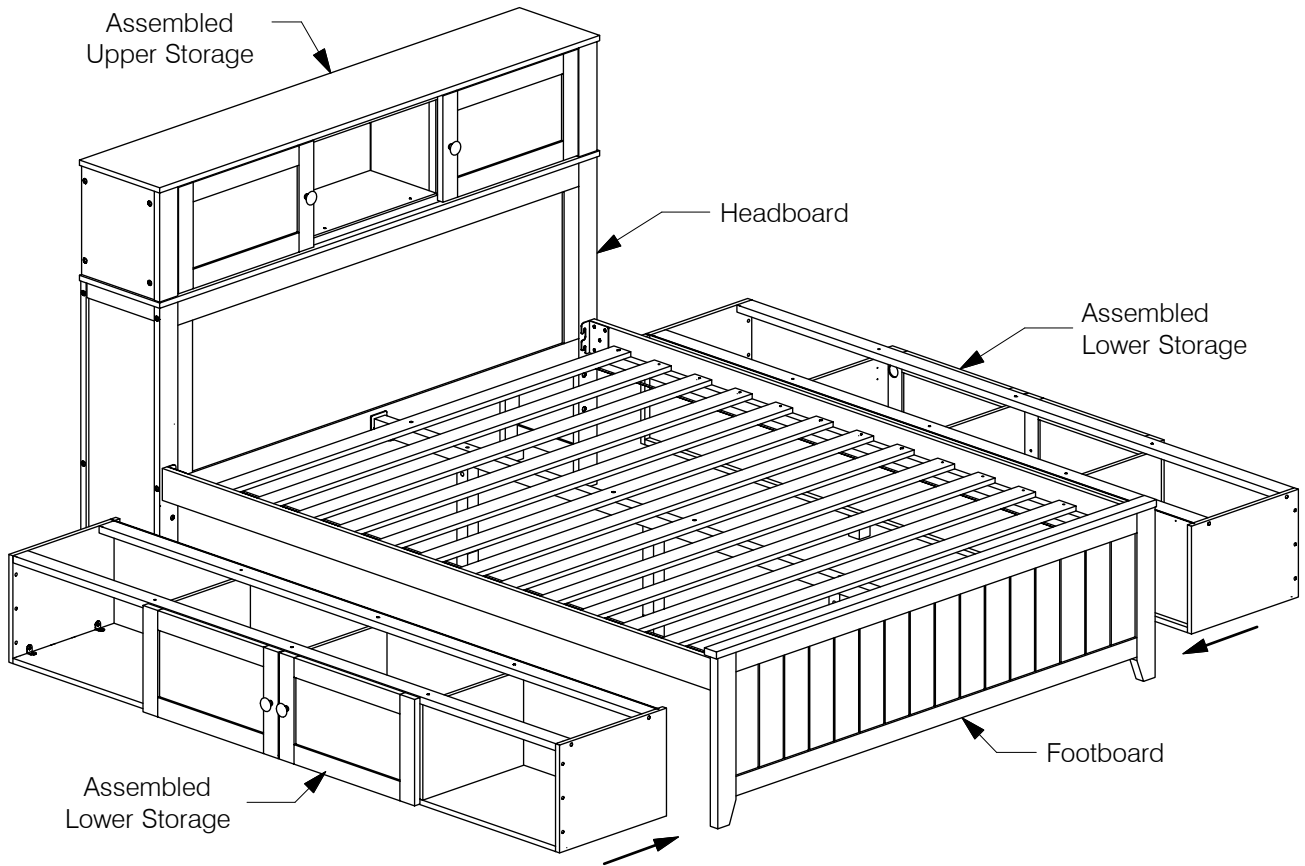


0029 Queen Bed

Assembly Instructions

WII-1219

25 Fit the Assembled Lower Storage under the Bed Frame.



26 Bolt the Assembled Lower Storage to the Bed Frame with M6 x 30mm JCB (18).

