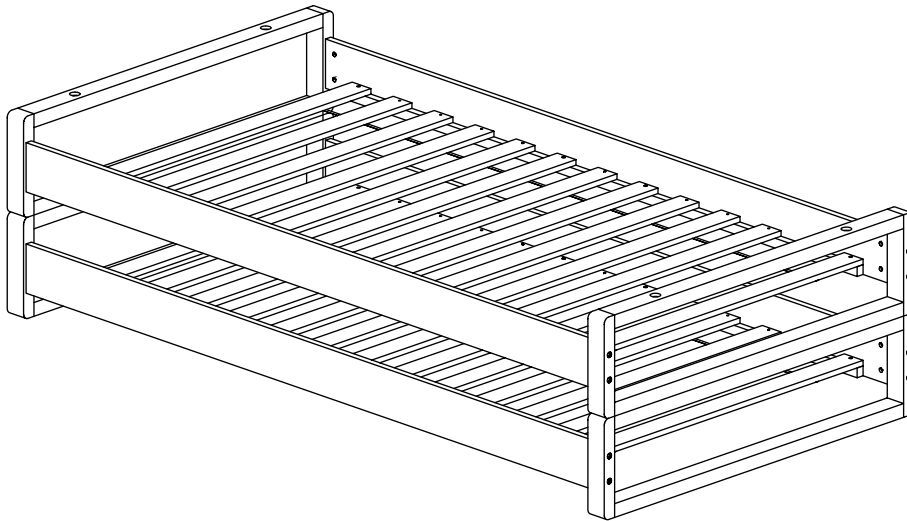


# 0026 Twin Bed

## Assembly Instructions

WII-1119

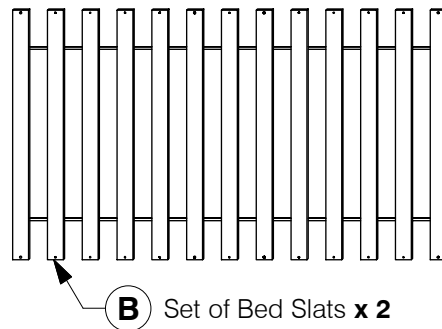
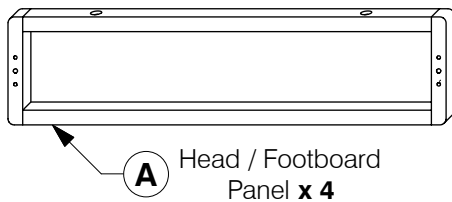
### 1 Assembled View



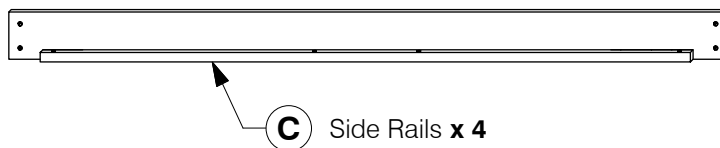
**Note:** Do not assemble using power tools. This can cause the bolts to be overtightened

### 2 Parts List

#### Parts in Box A:



#### Parts in Box B:



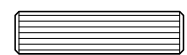
### 3 Hardware List



**1** M6 x 90mm JCB  
x 16



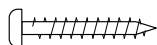
**2** M6 x 40mm JCB  
x 16



**3** Wood Dowel  
(10 x 40mm) x 8



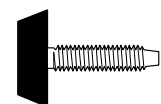
**4** Barrel Nut  
x 16



**5** Wood Screw  
(M4 x 32mm) x 36



**6** M4 Allen Key  
x 1



**7** Adjustable  
Foot x 8

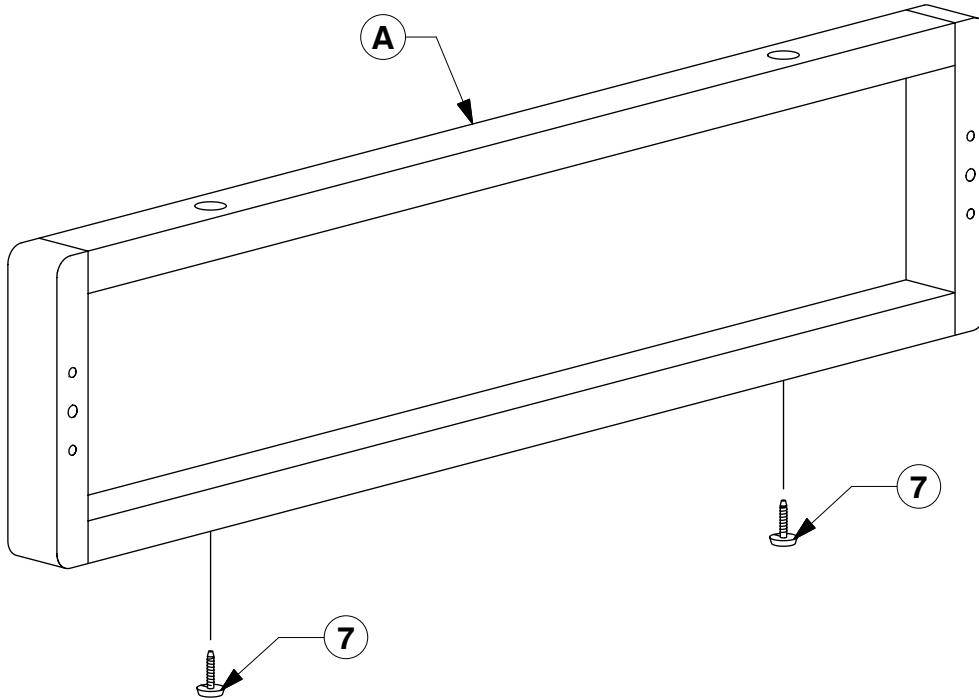
# 0026 Twin Bed

## Assembly Instructions

WII-1119

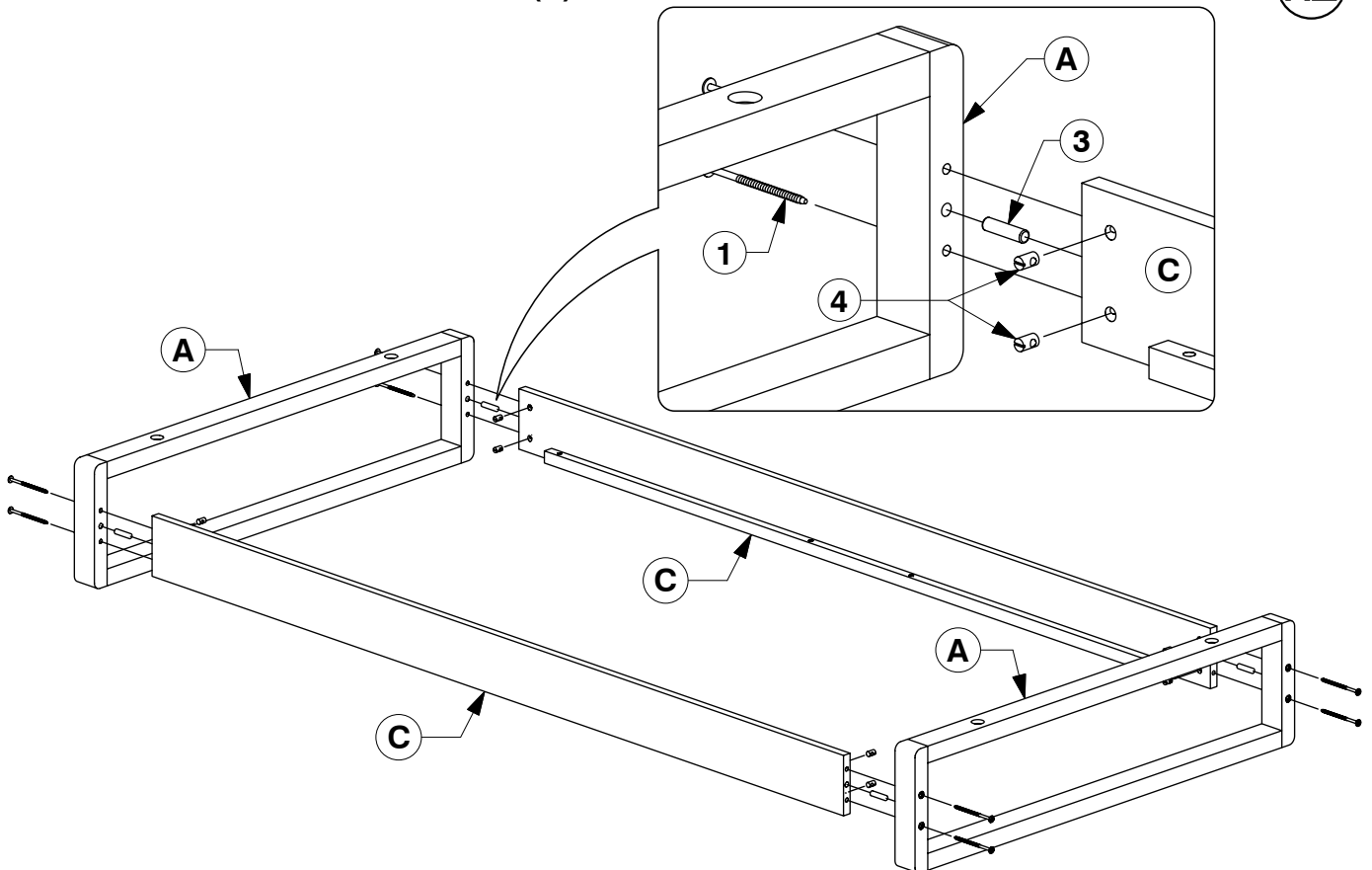
- 4** Fix the Adjustable foot to the bottom of the Head / Footboard Panel (A).

x4



- 5** Assemble the Side Rail (C) to the Headboard / Footboard Panel (A).

x2



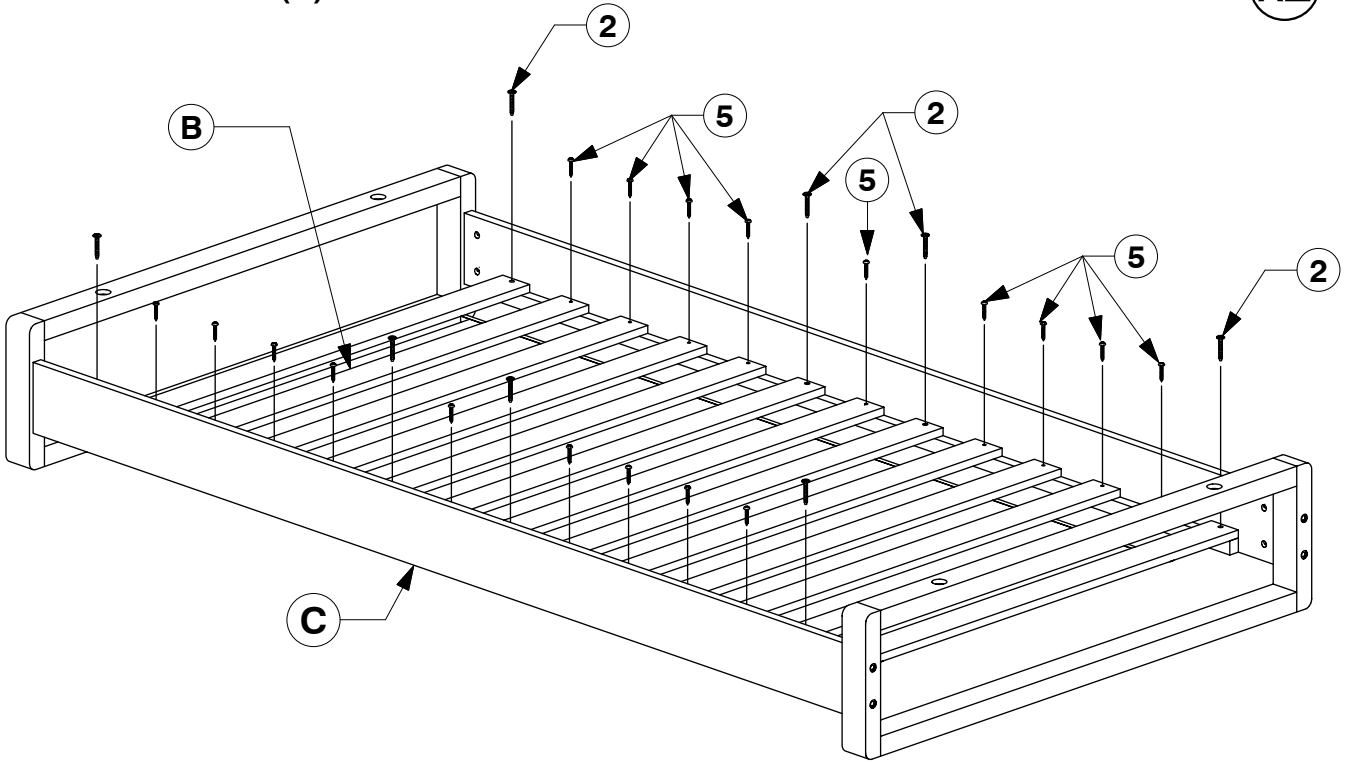
# 0026 Twin Bed

## Assembly Instructions

WII-1119

- 6 Bolt & screw the remaining Bed Slats (B) to the Side Rail (C).**

x2



- 7 Assembled the Bed**

