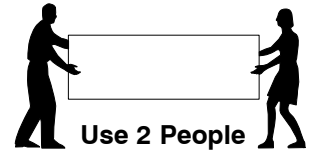
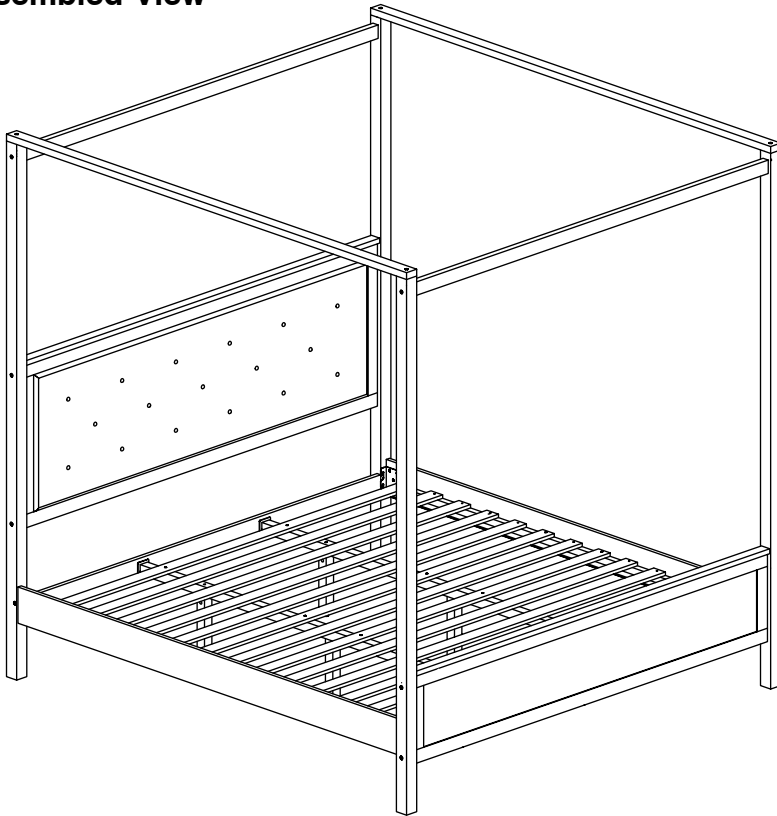


# 0021 Canopy King Bed

## Assembly Instructions

1119

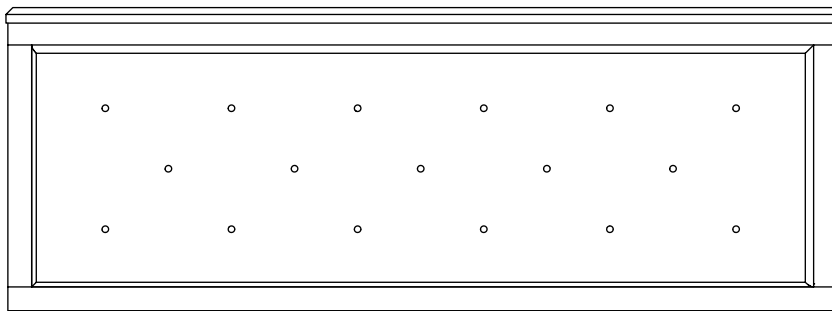
### 1 Assembled View



**Note:** Do not assemble using power tools. This can cause the bolts to be overtightened

### 2 Parts List

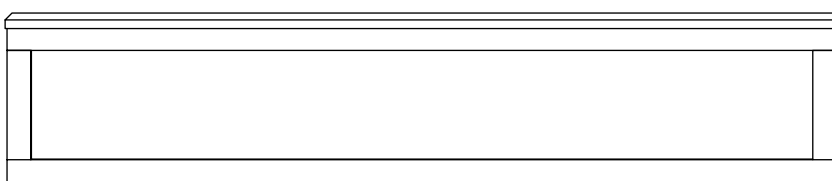
Parts in Box A:



**A** Headboard Panel x 1



**B** Headboard Support x 1



**C** Footboard Panel x 1

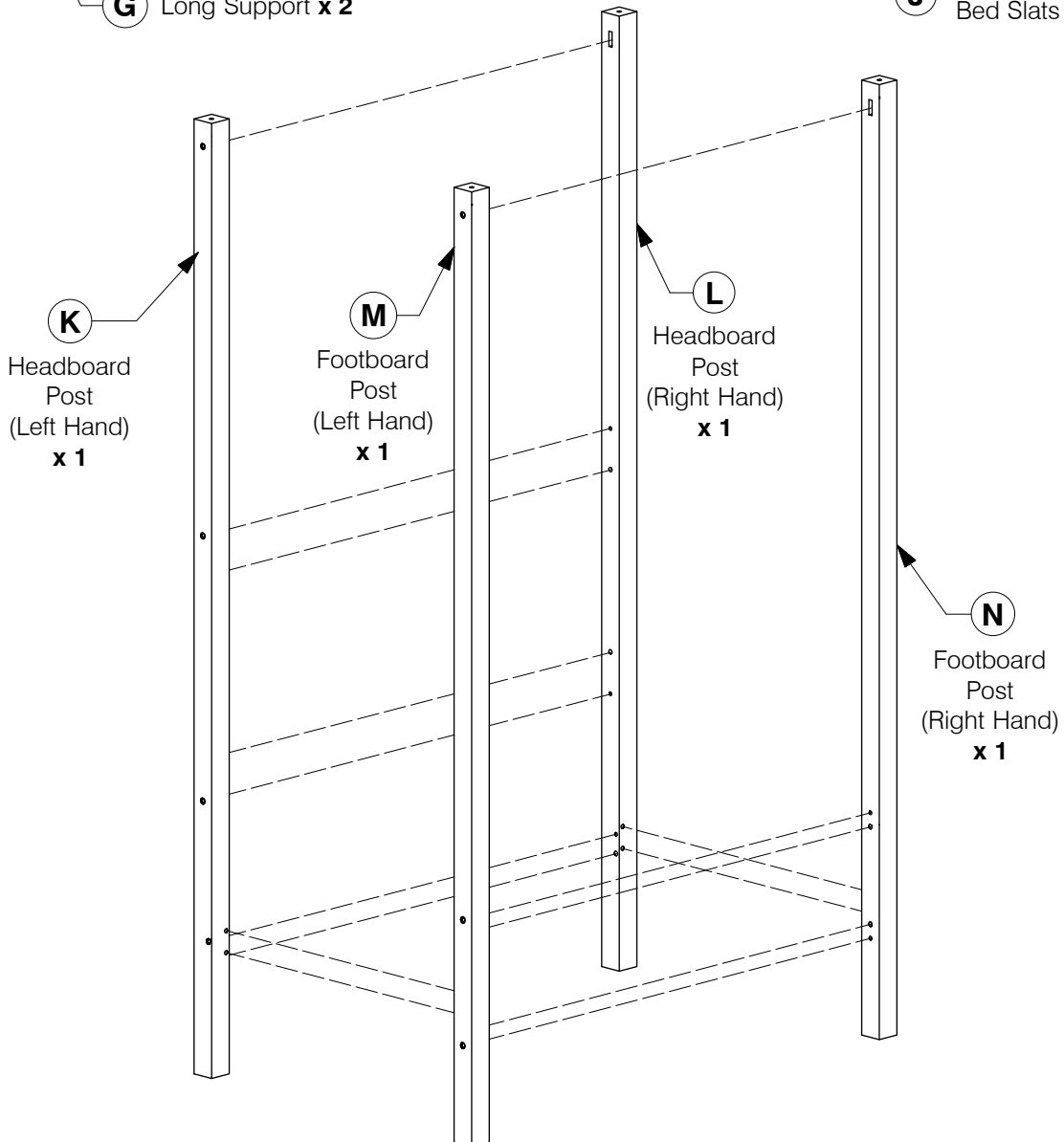
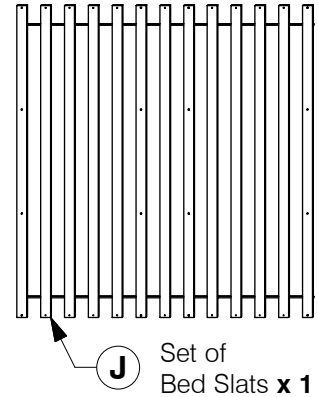
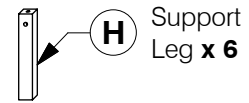
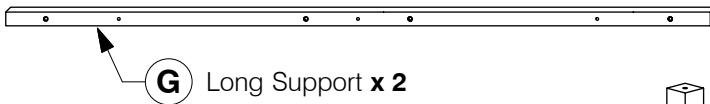
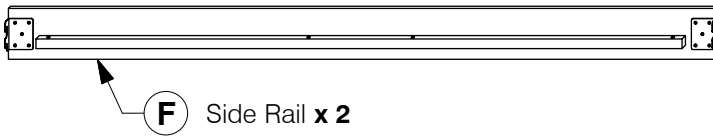
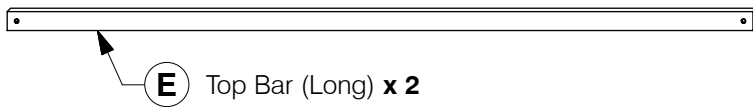
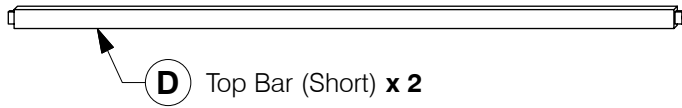
# 0021 Canopy King Bed

## Assembly Instructions

1119

### 2 Parts List

Parts in Box B:



# 0021 Canopy King Bed

## Assembly Instructions

1119

### 3 Hardware List



1 M6 x 100mm JCB  
x 14



2 M6 x 90mm JCB  
x 6



3 M6 x 50mm JCB  
x 4



4 M6 x 40mm JCB  
x 16



5 M6 x 20mm JCB  
x 8



6 M6 x 15mm JCB  
x 8



7 Wood Dowel  
(M10 x 40mm) x 10



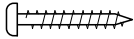
8 Barrel Nut  
x 20



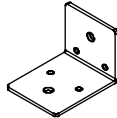
9 Spring Washer  
x 8



10 Flat Washer  
x 8



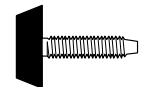
11 Wood Screw  
(M4 x 32mm) x 18



12 Center Rail  
Bracket x 4

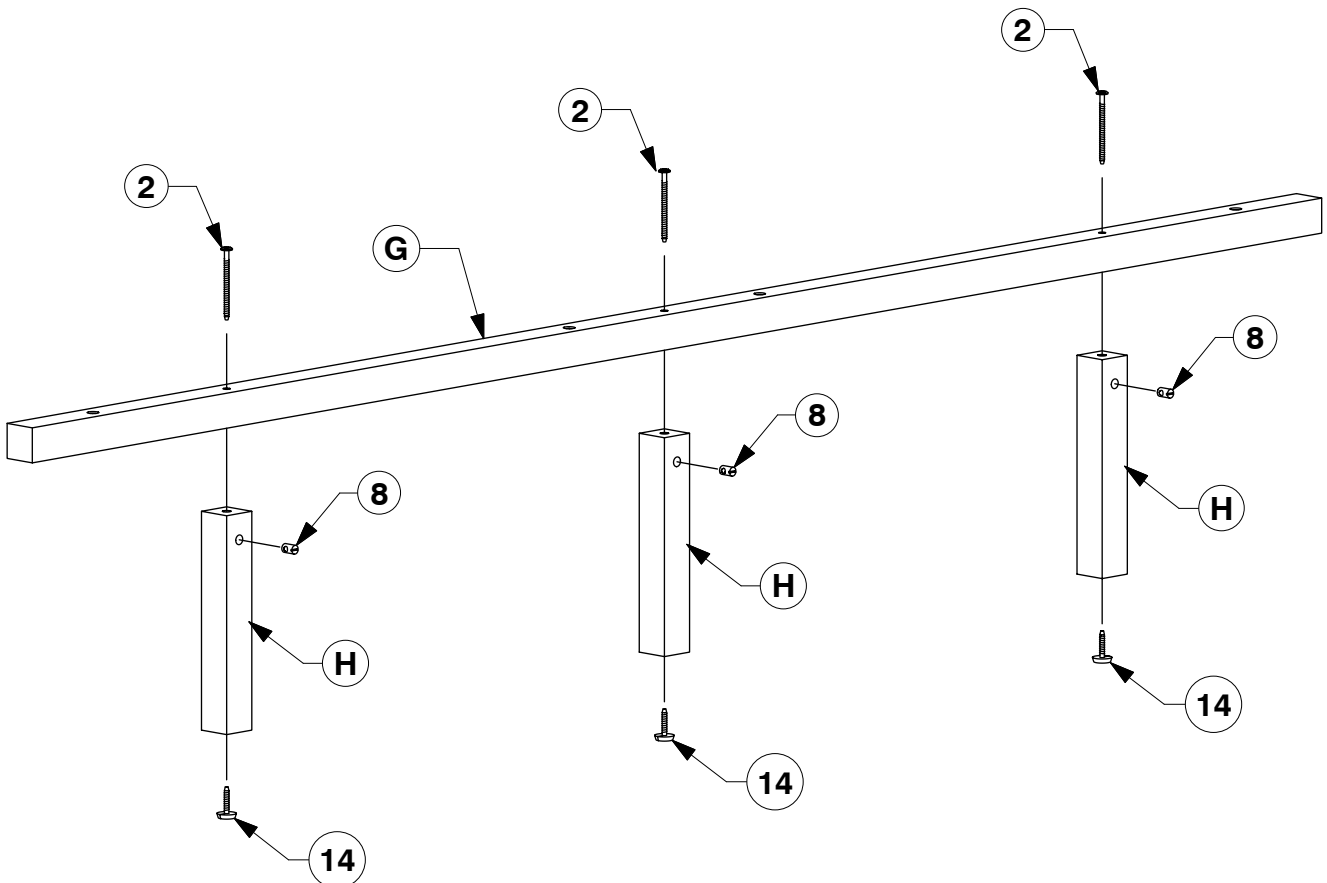


13 Allen Key  
x 1



14 Adjustable  
Foot x 6

### 4 Assemble the Support Leg (H) to the Long Support (G).

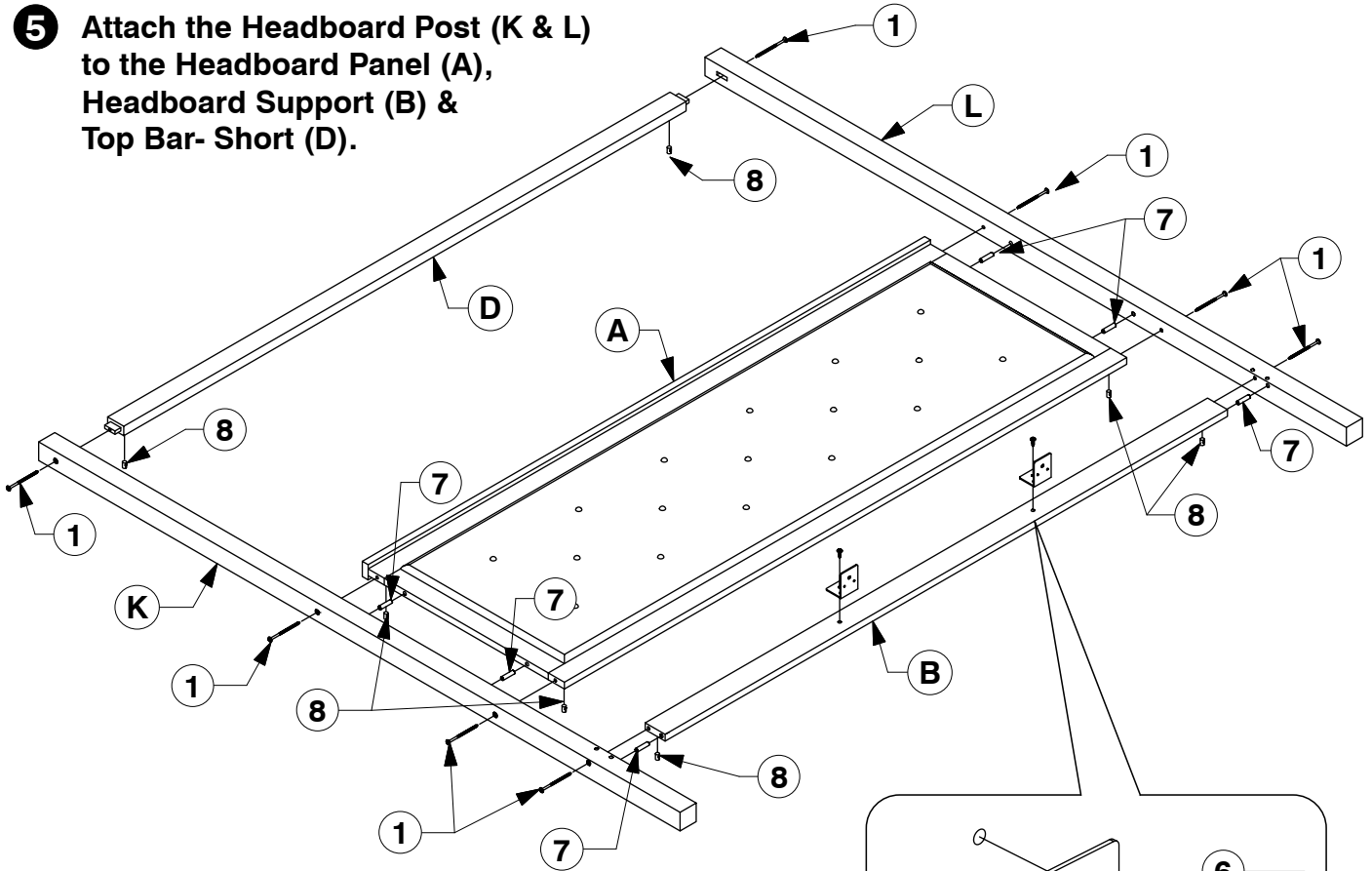


# 0021 Canopy King Bed

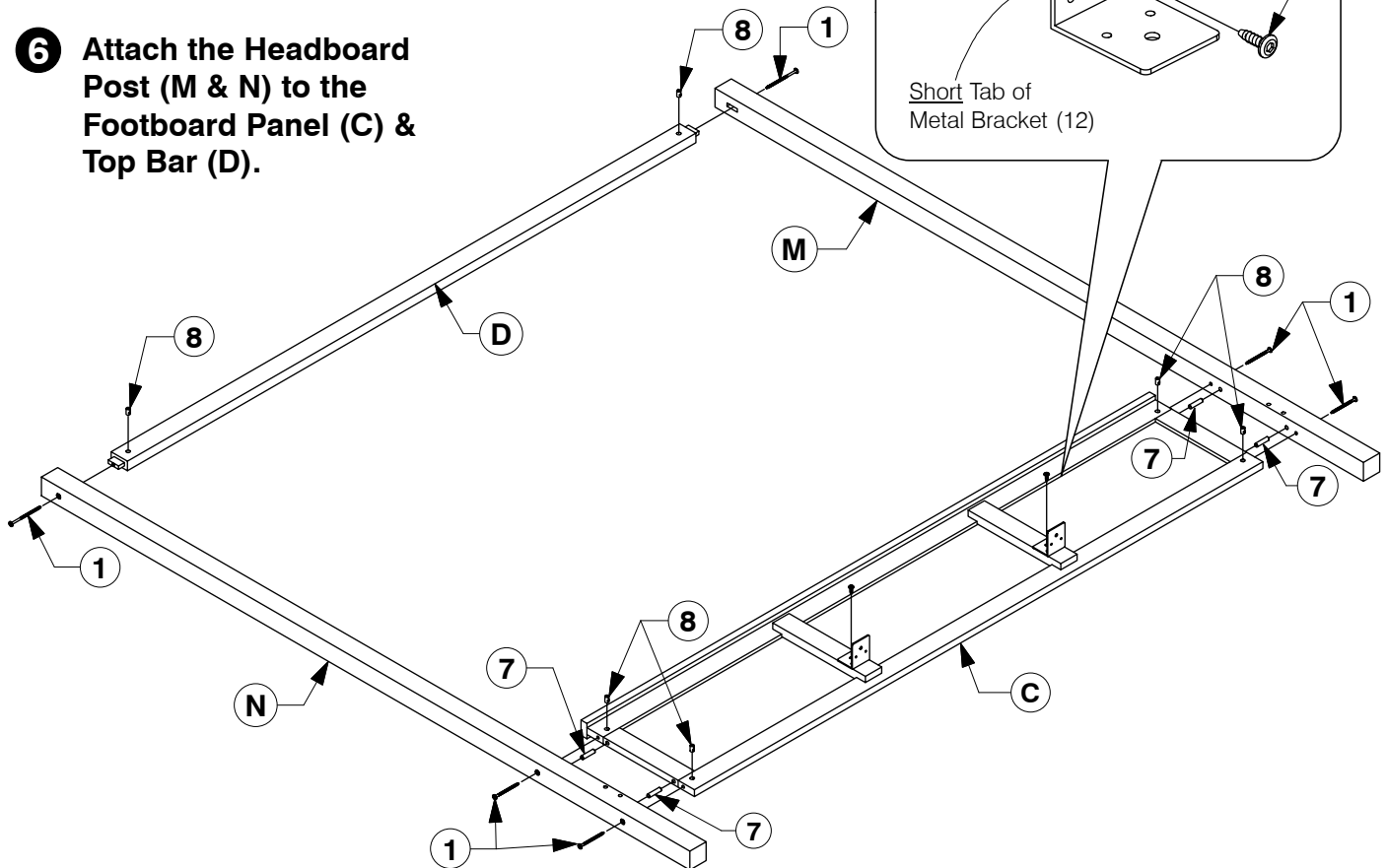
## Assembly Instructions

1119

- 5** Attach the Headboard Post (K & L) to the Headboard Panel (A), Headboard Support (B) & Top Bar- Short (D).



- 6** Attach the Headboard Post (M & N) to the Footboard Panel (C) & Top Bar (D).

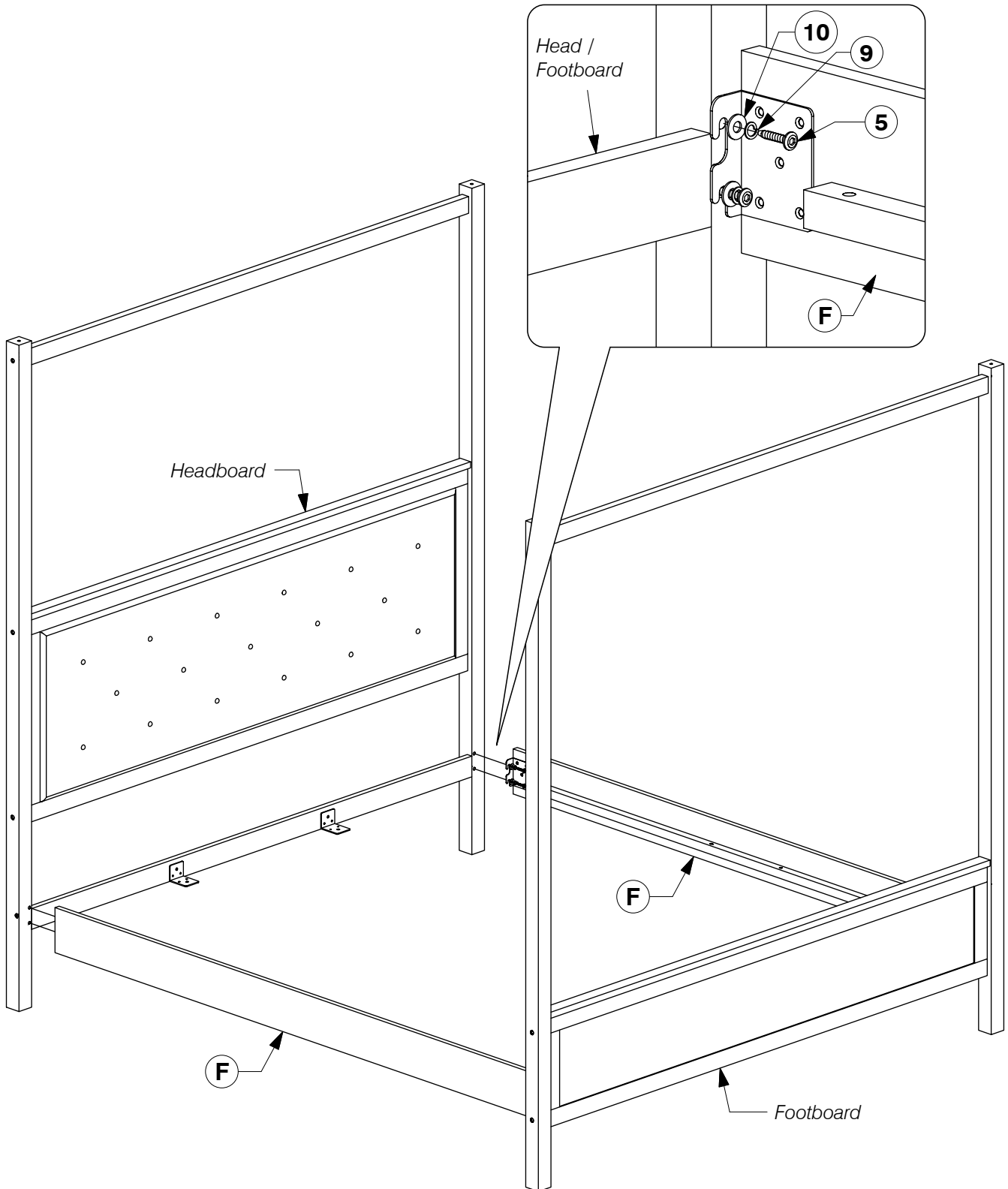


# 0021 Canopy King Bed

## Assembly Instructions

1119

- 7** Assemble the Side Rail (F) to the Head / Footboard.



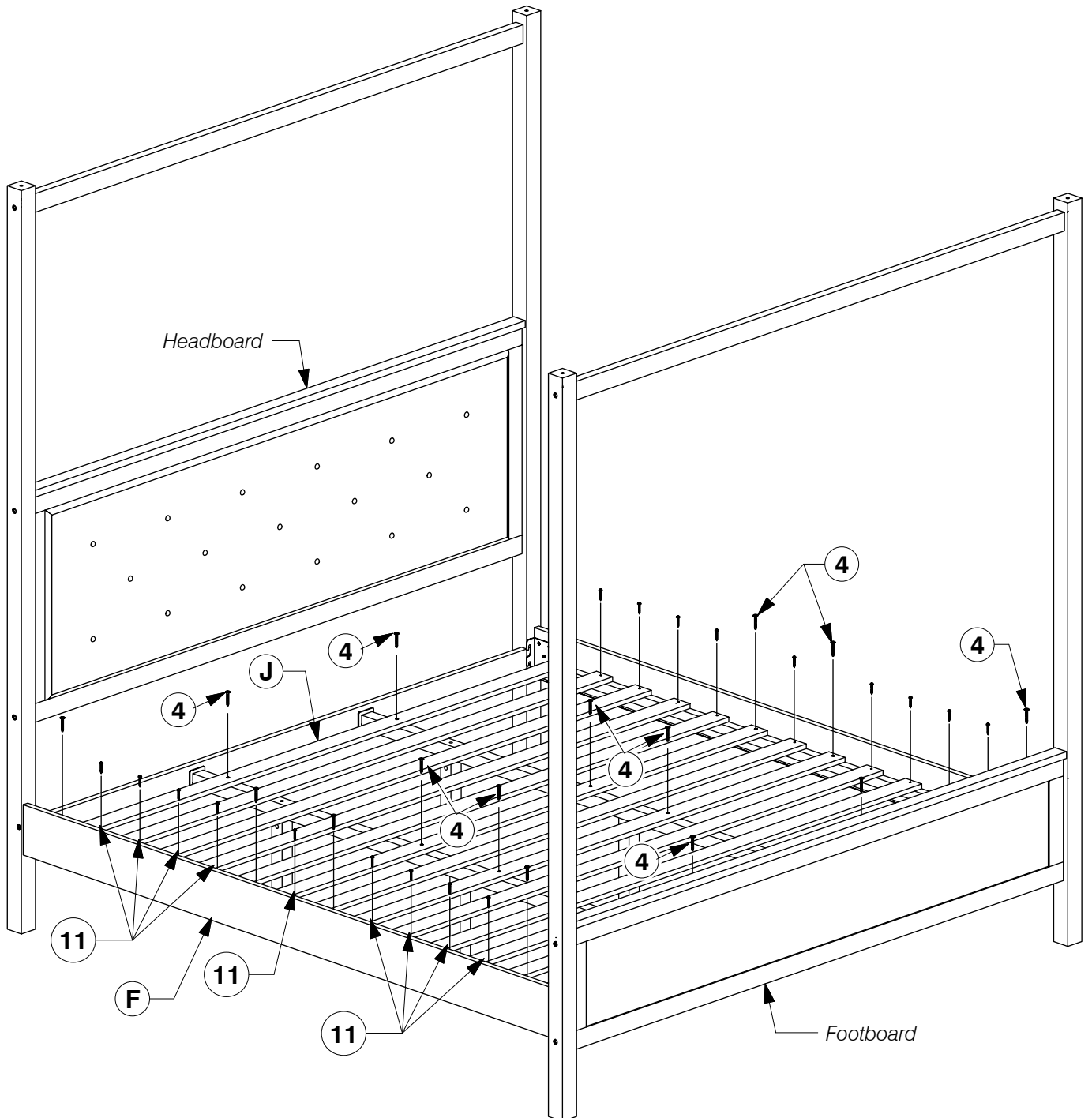


# 0021 Canopy King Bed

## Assembly Instructions

1119

- 9** Bolt & screw the Bed Slats (J) to the Side Rail (F).



# 0021 Canopy King Bed

Assembly Instructions

1119

- 10** Fit the Top Bar- Long (E) on top of the Head / Footboard Post.

