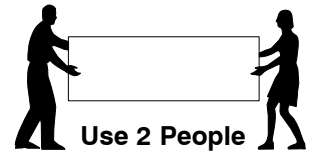
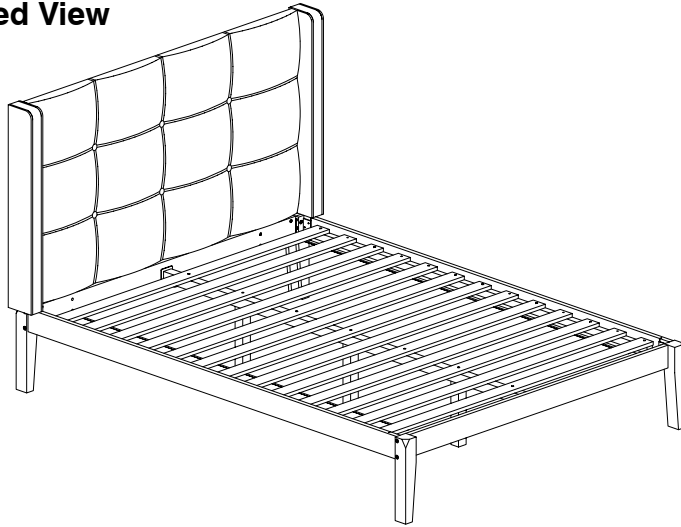


0019 Full Bed

Assembly Instructions

W11-0919

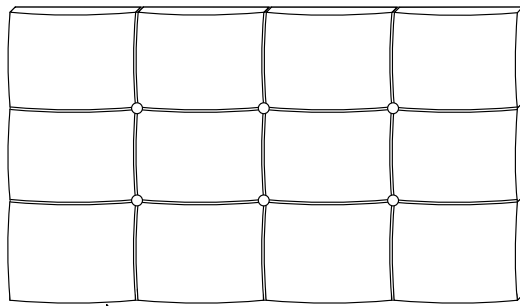
1 Assembled View



Note: Do not assemble using power tools. This can cause the bolts to be overtightened

2 Parts List

Parts in Box A:



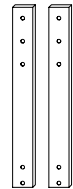
A Headboard
x 1



B Headboard
Side Panel
(Left hand) x 1



C Headboard
Side Panel
(Right hand) x 1

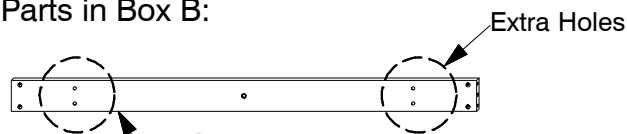


D Support
Bar x 2

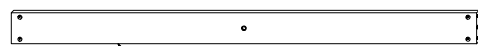


E Mini
Support
x 2

Parts in Box B:



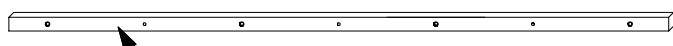
F Headboard
Panel x 1



G Footboard
Panel x 1



H Side Rail x 2



J Long Support x 1



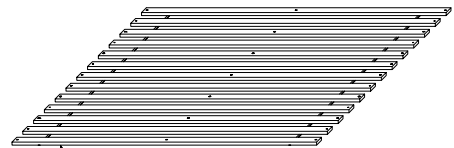
K Post
(Left Hand) x 2



L Post
(Right Hand) x 2



M Support
Leg x 3



N Set of Bed Slats x 1

0019 Full Bed

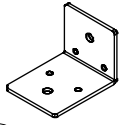
Assembly Instructions

W11-0919

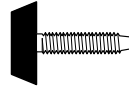
3 Hardware List



1 M4 Allen Key
x 1



2 Center Rail
Bracket x 2



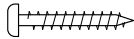
3 Adjustable
Foot x 3



4 Wood Dowel
(M10 x 40mm) x 4



5 Barrel
Nut x 11



6 Wood Screw
(M4 x 32mm) x 12



7 Spring
Washer x 18



8 Flat Washer
x 18



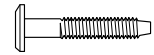
9 M6 x 15mm JCB
x 4



10 M6 x 20mm JCB
x 8



11 M6 x 30mm JCB
x 6



12 M6 x 35mm JCB
x 6



13 M6 x 40mm JCB
x 18

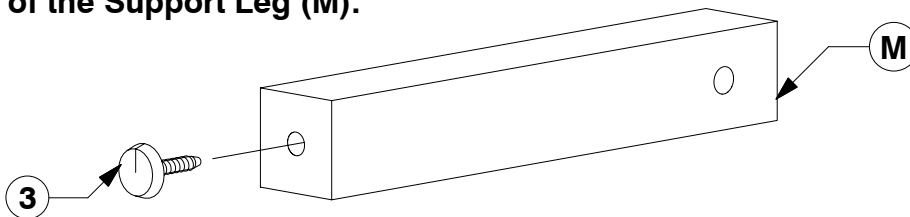


14 M6 x 70mm JCB
x 4

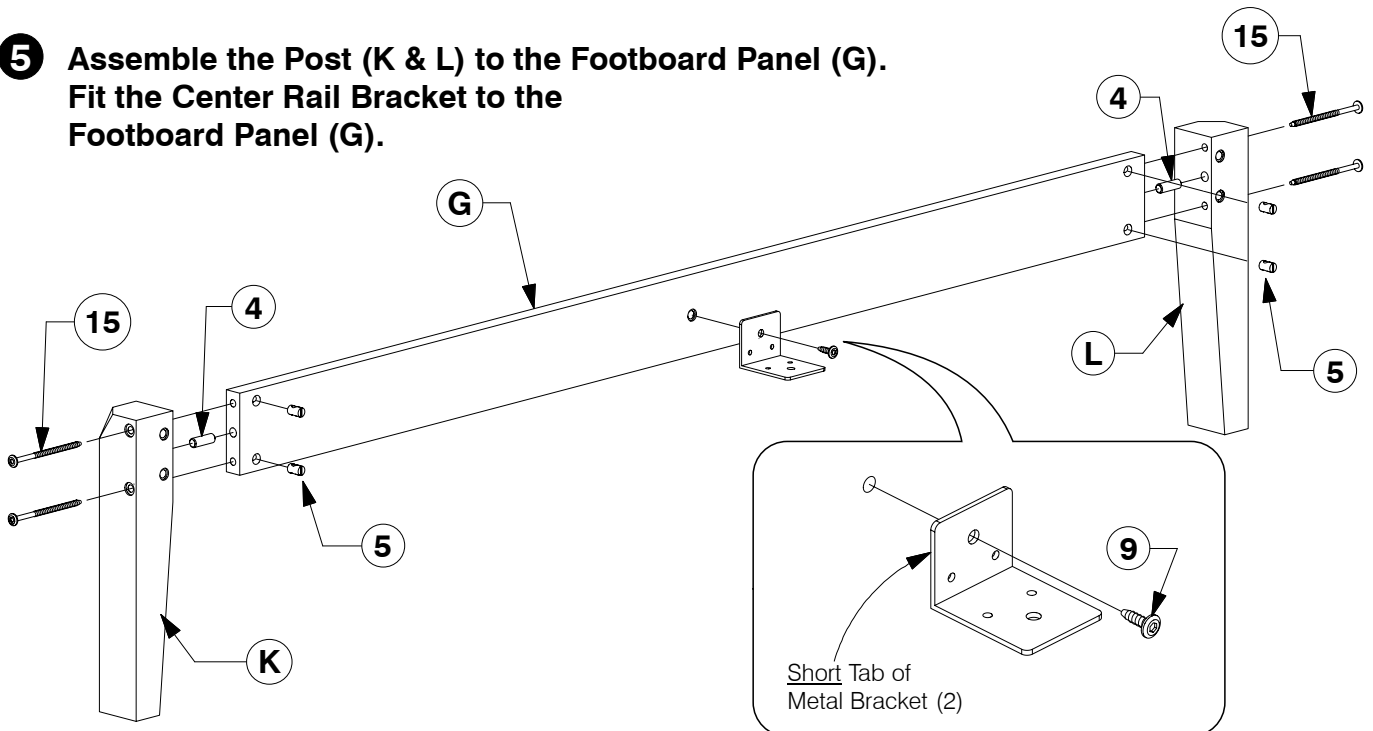


15 M6 x 100mm JCB
x 11

4 Fix the Adjustable foot to the bottom of the Support Leg (M).



5 Assemble the Post (K & L) to the Footboard Panel (G). Fit the Center Rail Bracket to the Footboard Panel (G).

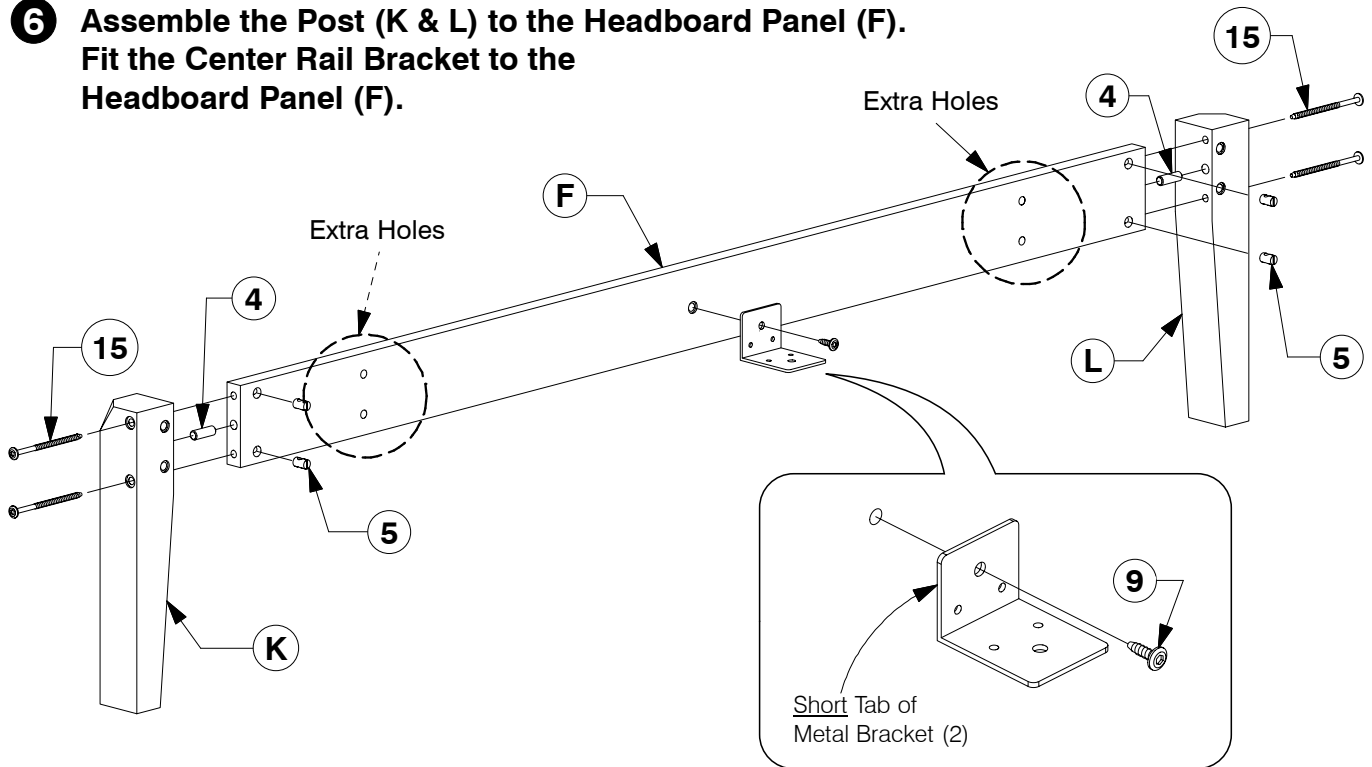


0019 Full Bed

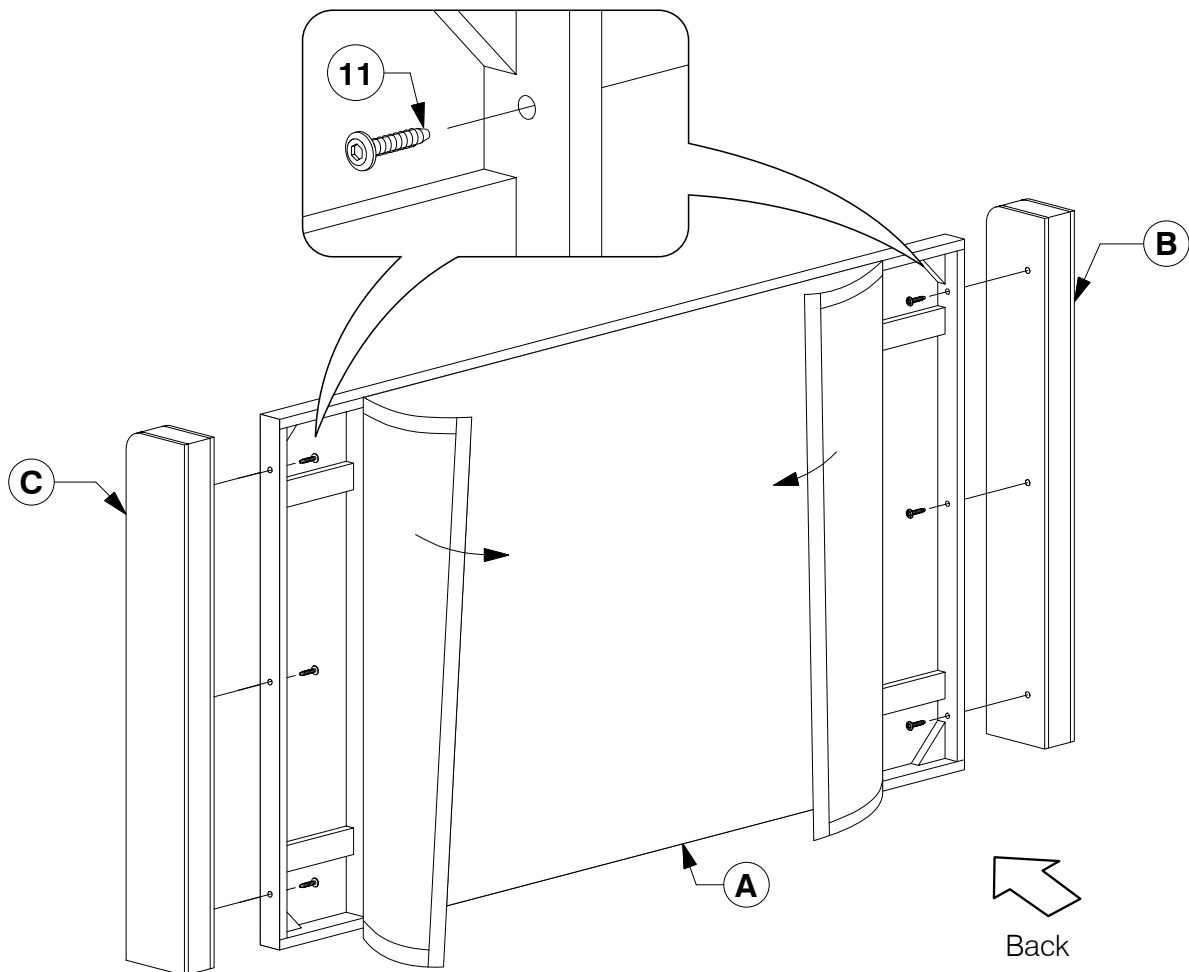
Assembly Instructions

W11-0919

- 6 Assemble the Post (K & L) to the Headboard Panel (F).
Fit the Center Rail Bracket to the
Headboard Panel (F).**



- 7 Fit the Headboard Side Panel (B & C) to the Headboard (A).**

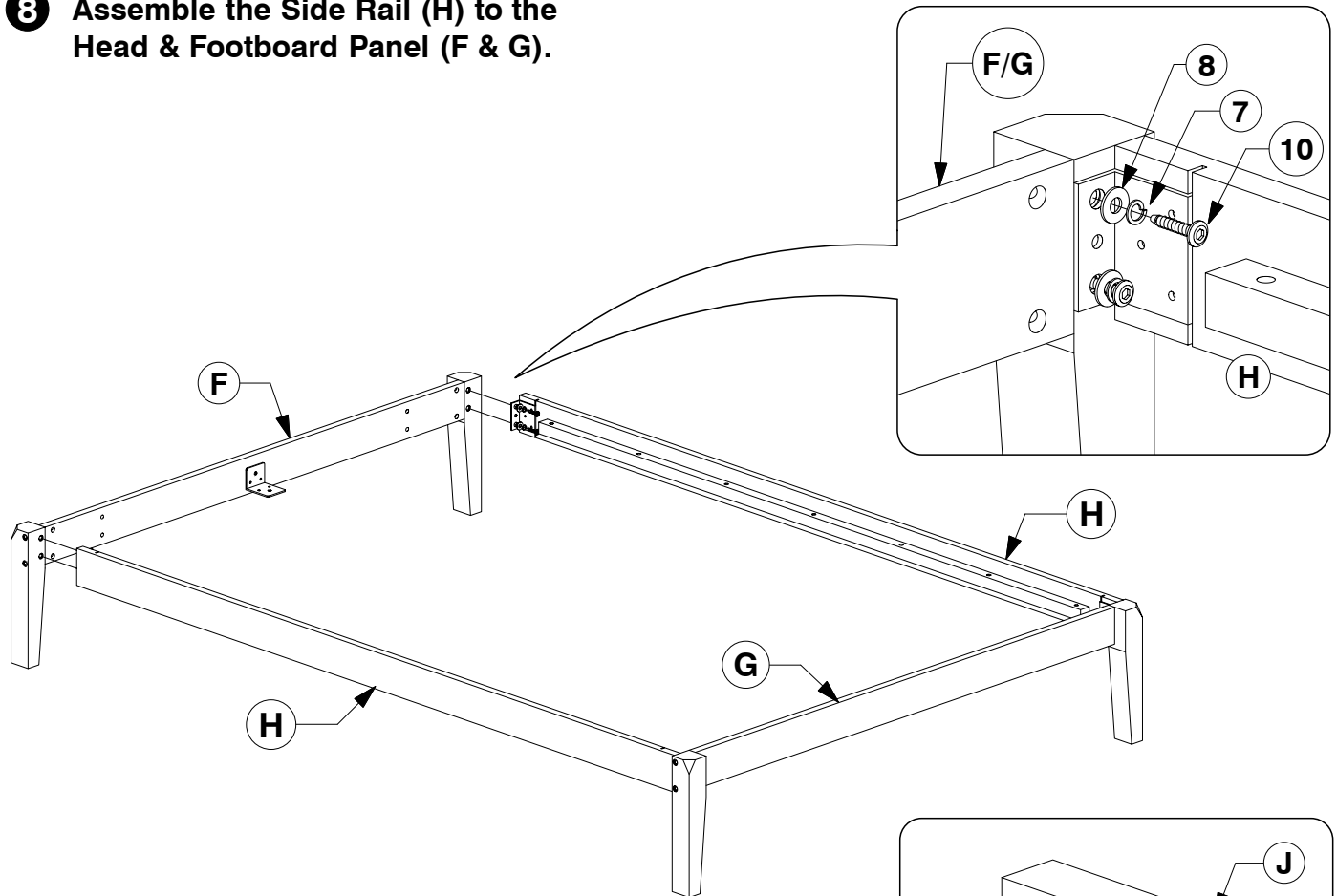


0019 Full Bed

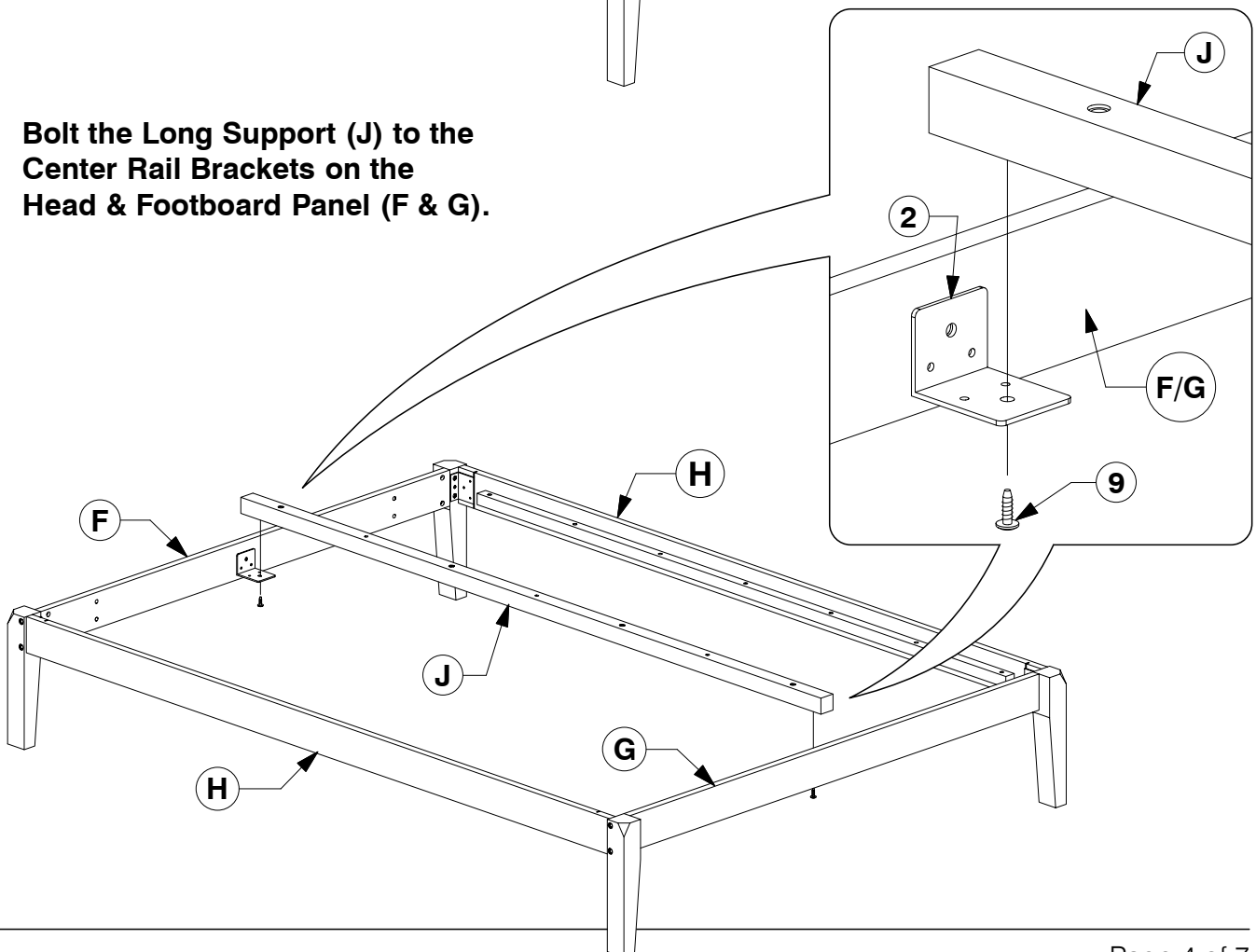
Assembly Instructions

W11-0919

- 8** Assemble the Side Rail (H) to the Head & Footboard Panel (F & G).



- 9** Bolt the Long Support (J) to the Center Rail Brackets on the Head & Footboard Panel (F & G).

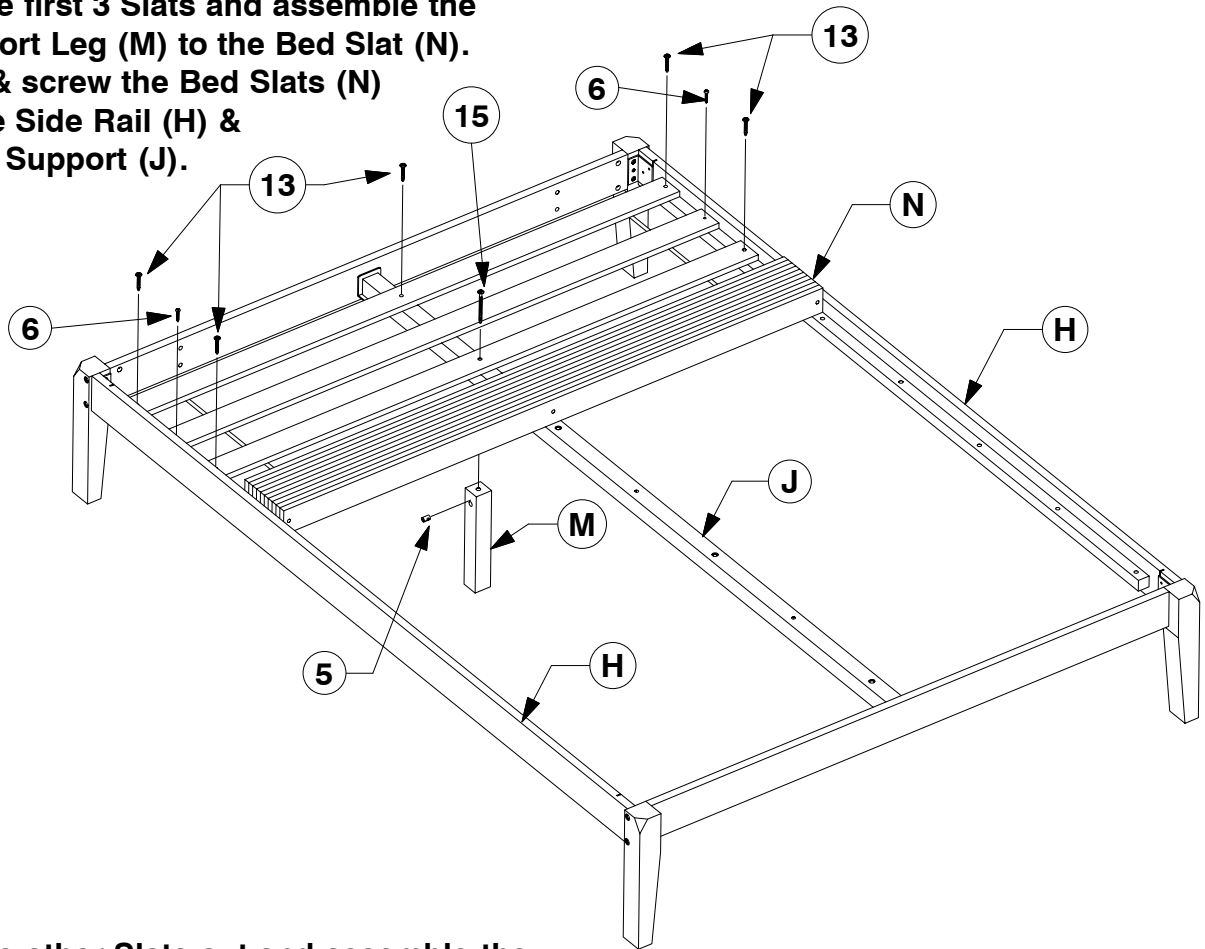


0019 Full Bed

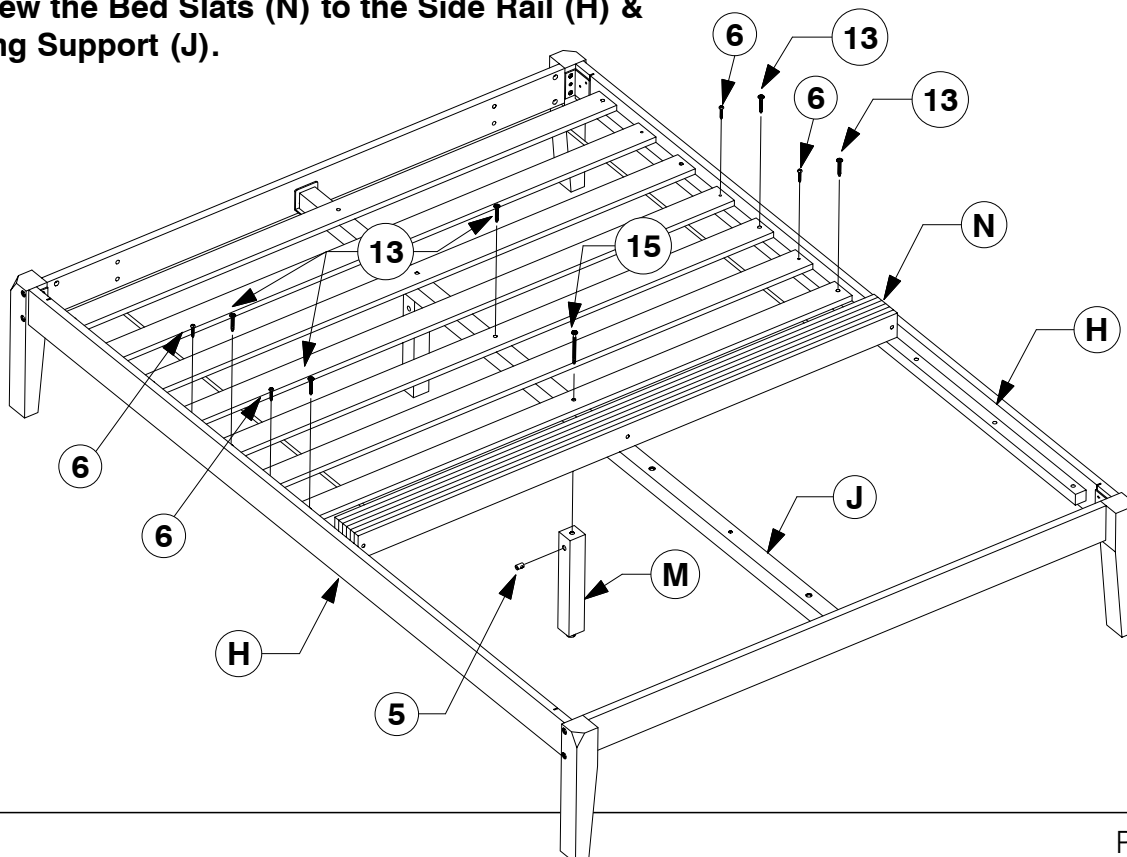
Assembly Instructions

W11-0919

- 10** Fit the first 3 Slats and assemble the Support Leg (M) to the Bed Slat (N). Bolt & screw the Bed Slats (N) to the Side Rail (H) & Long Support (J).



- 11** Fit the other Slats out and assemble the Support Leg (M) to the Bed Slat (N). Bolt & screw the Bed Slats (N) to the Side Rail (H) & Long Support (J).

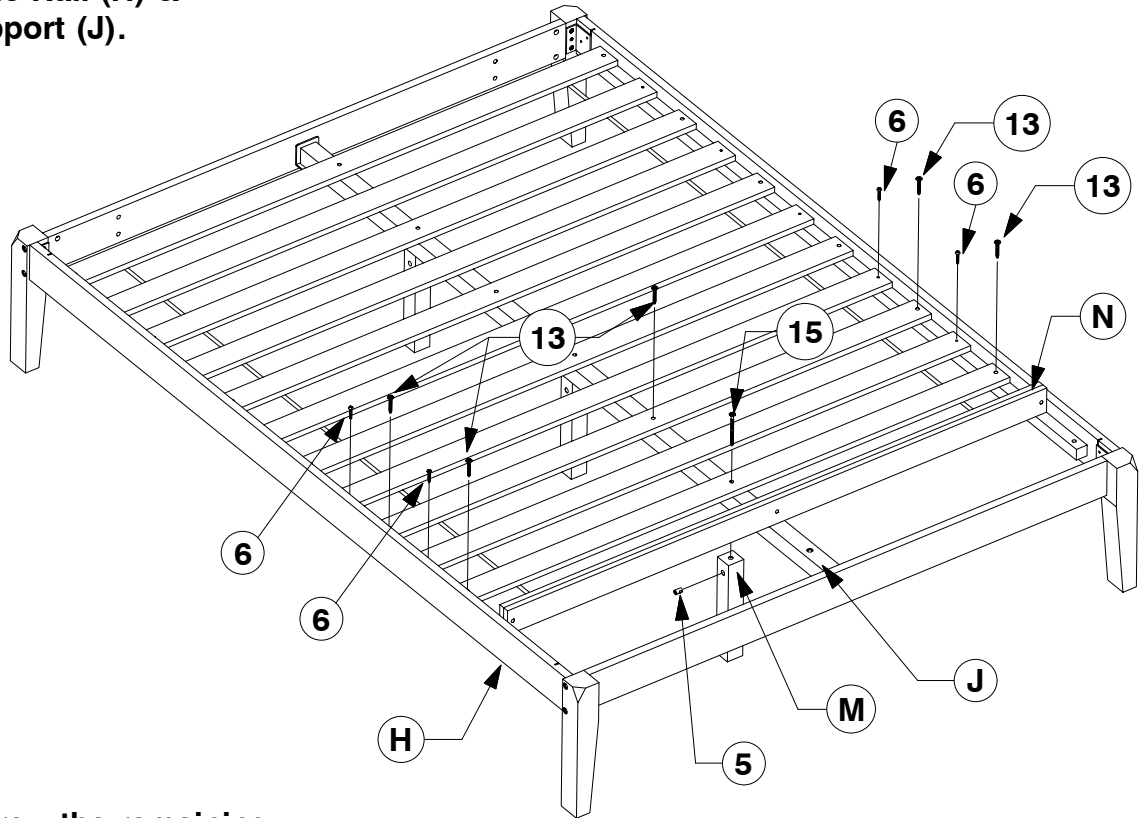


0019 Full Bed

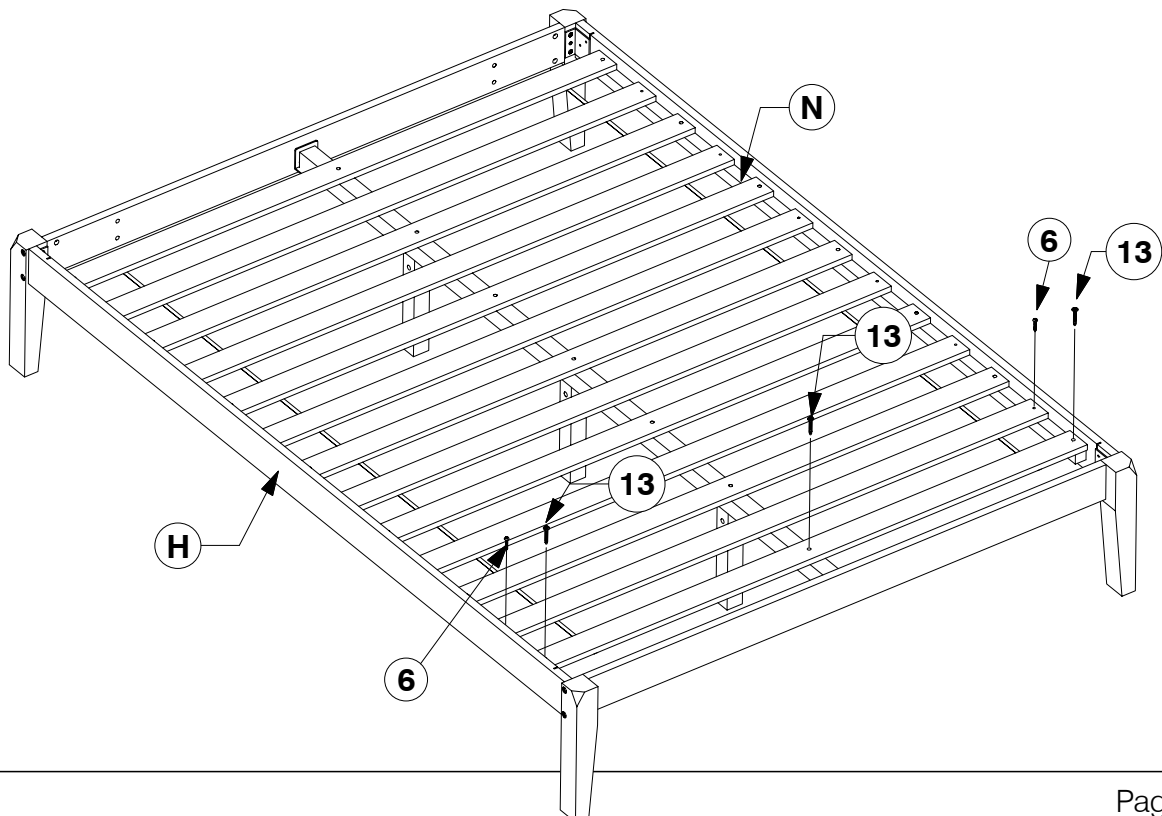
Assembly Instructions

W11-0919

- 12** Fit the other Slats out and assemble the Support Leg (M) to the Bed Slat (N). Bolt & screw the Bed Slats (N) to the Side Rail (H) & Long Support (J).



- 13** Bolt & screw the remaining Bed Slats (N) to the Side Rail (H).

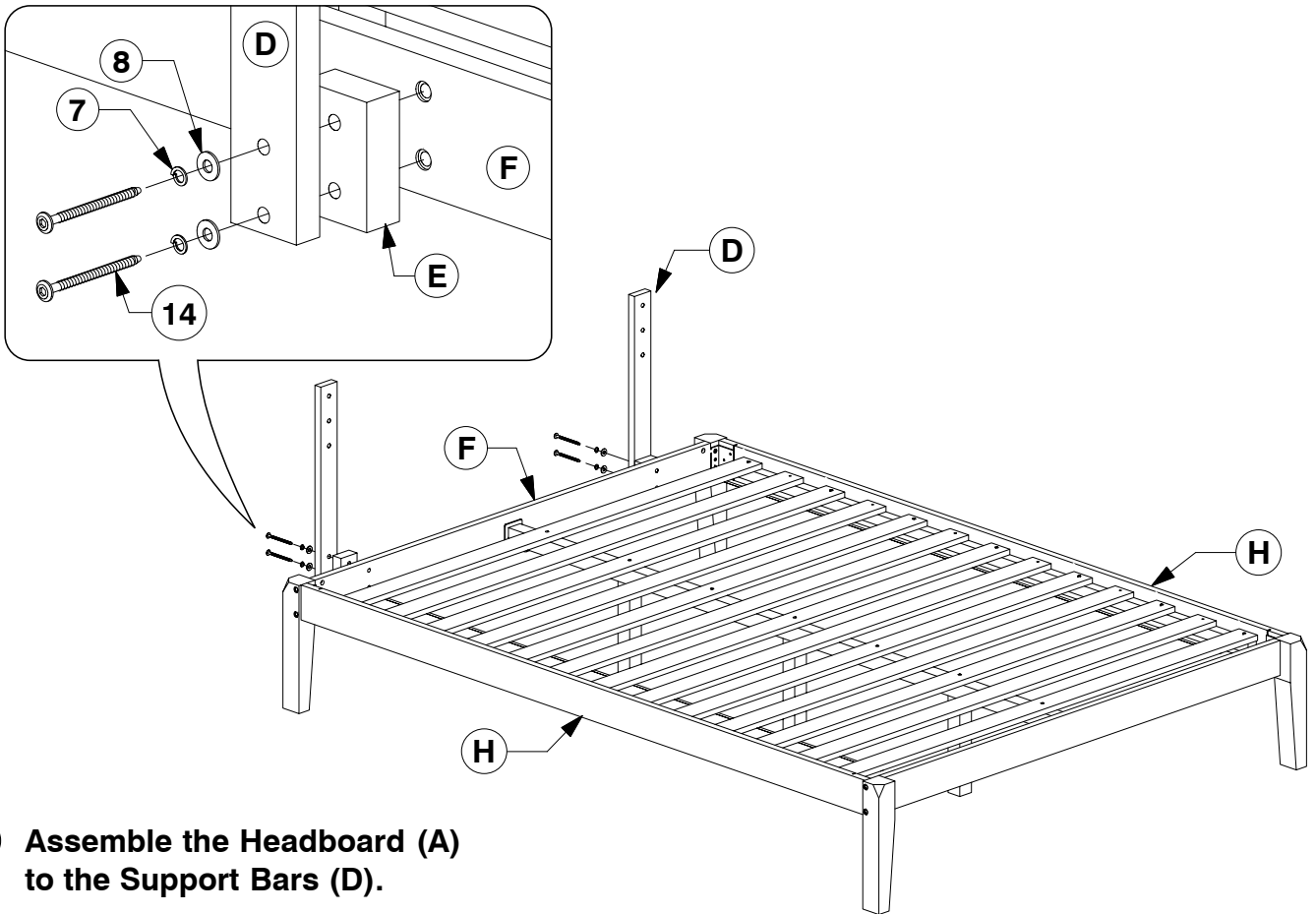


0019 Full Bed

Assembly Instructions

W11-0919

- 14** Assemble the Mini Support (E) & Support Bars (D) to the Headboard Panel (F).



- 15** Assemble the Headboard (A) to the Support Bars (D).

