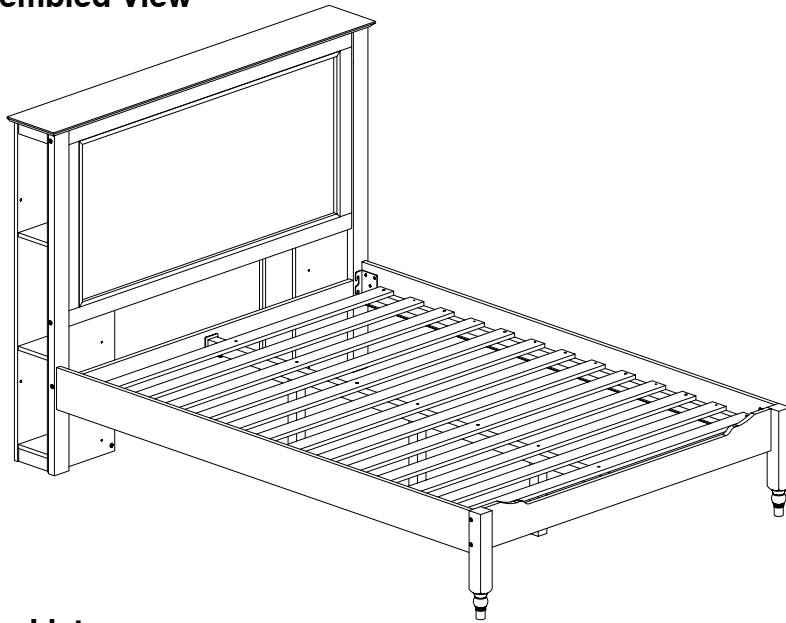


0018 Full Bed

Assembly Instructions

W11-0919

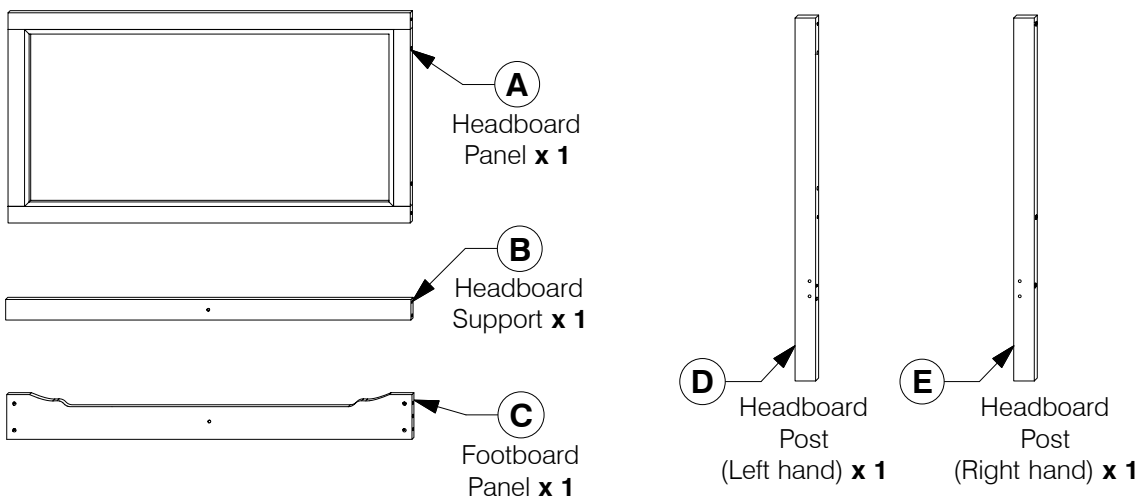
1 Assembled View



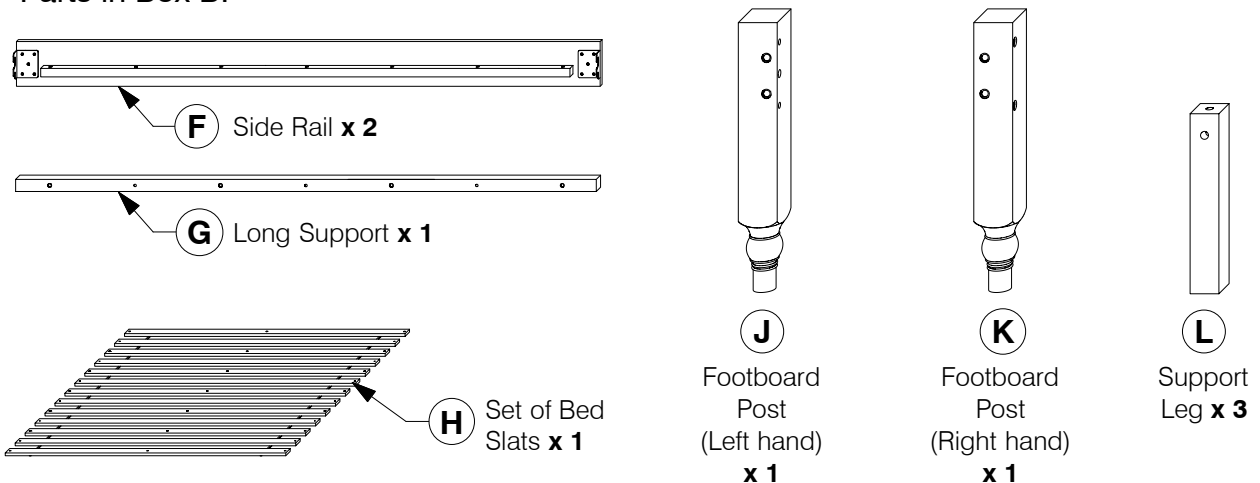
Note: Do not assemble using power tools. This can cause the bolts to be overtightened

2 Parts List

Parts in Box A:



Parts in Box B:



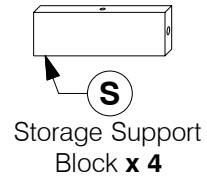
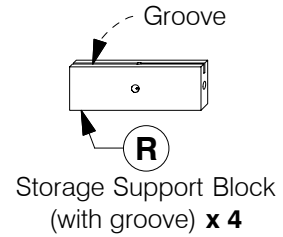
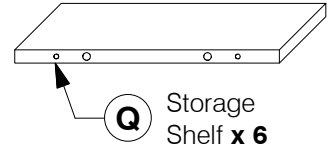
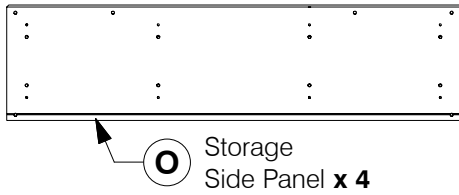
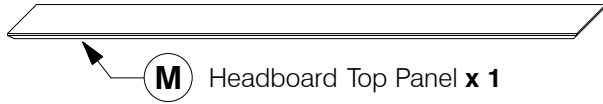
0018 Full Bed

Assembly Instructions

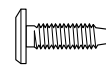
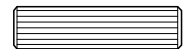
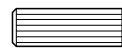
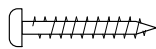
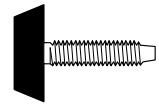
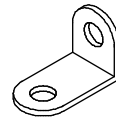
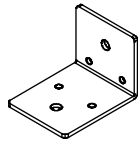
WII-0919

2 Parts List

Parts in Box C:



3 Hardware List

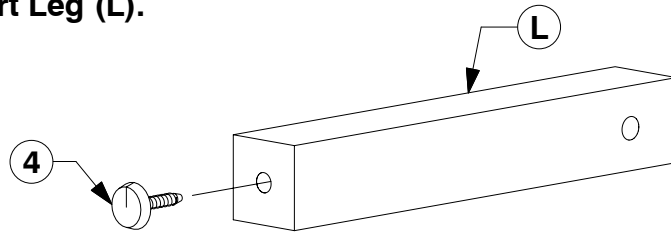


0018 Full Bed

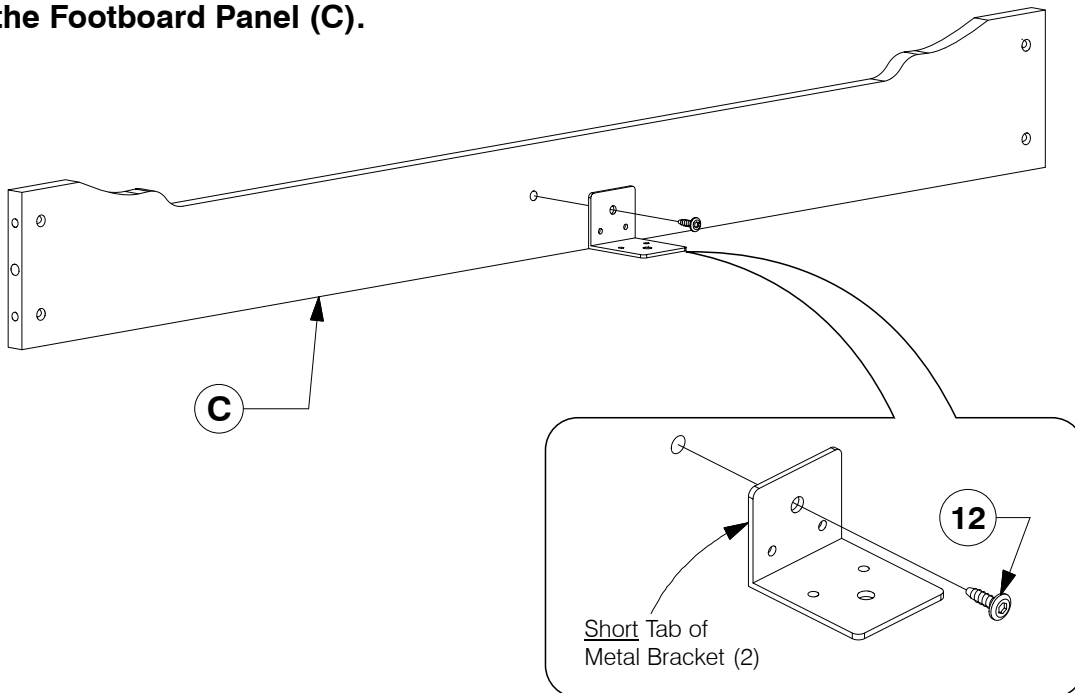
Assembly Instructions

W11-0919

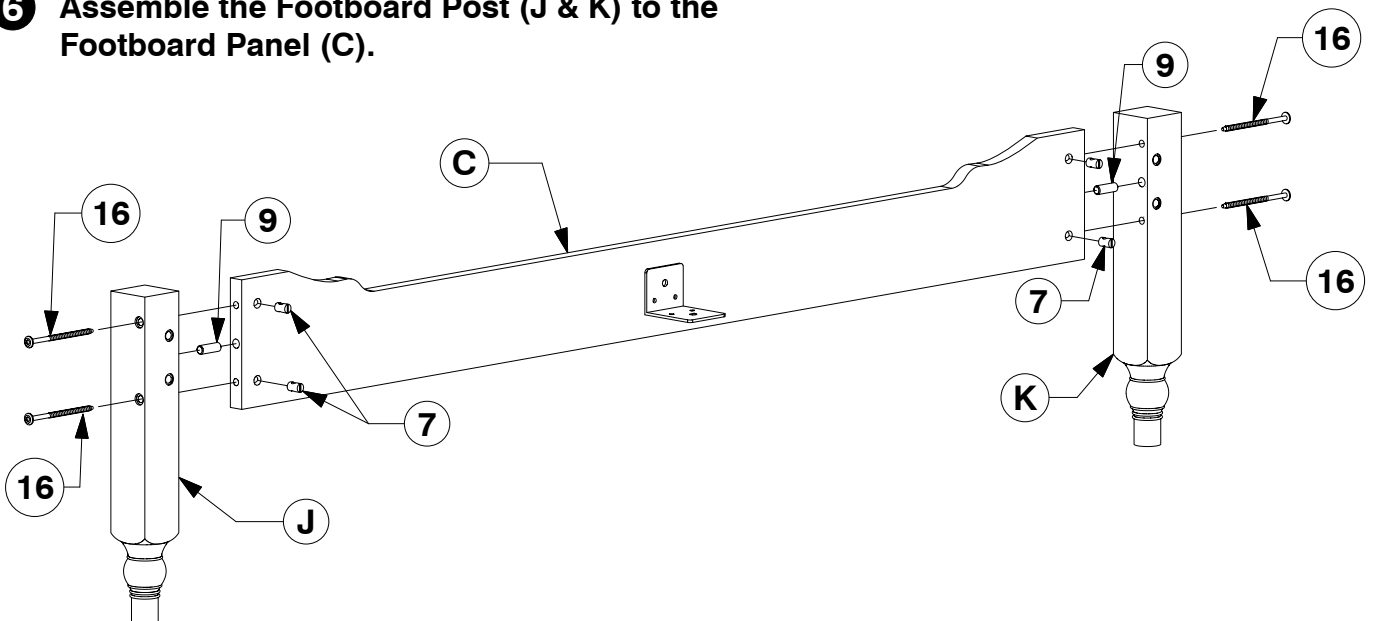
- 4** Fix the Adjustable foot to the bottom of the Support Leg (L).



- 5** Fit the Center Rail Bracket to the Footboard Panel (C).



- 6** Assemble the Footboard Post (J & K) to the Footboard Panel (C).

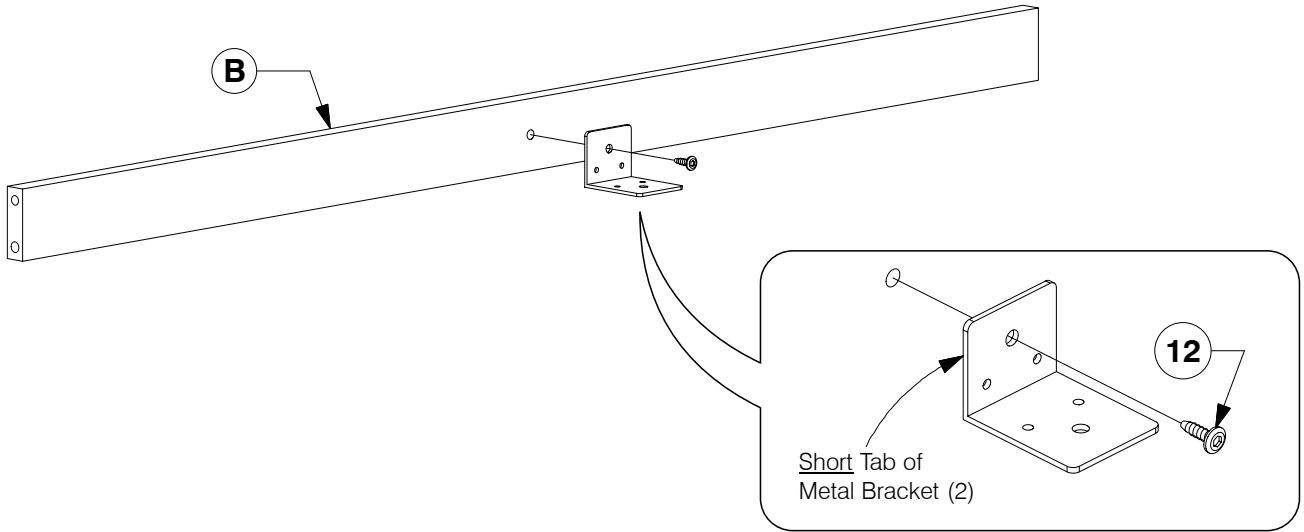


0018 Full Bed

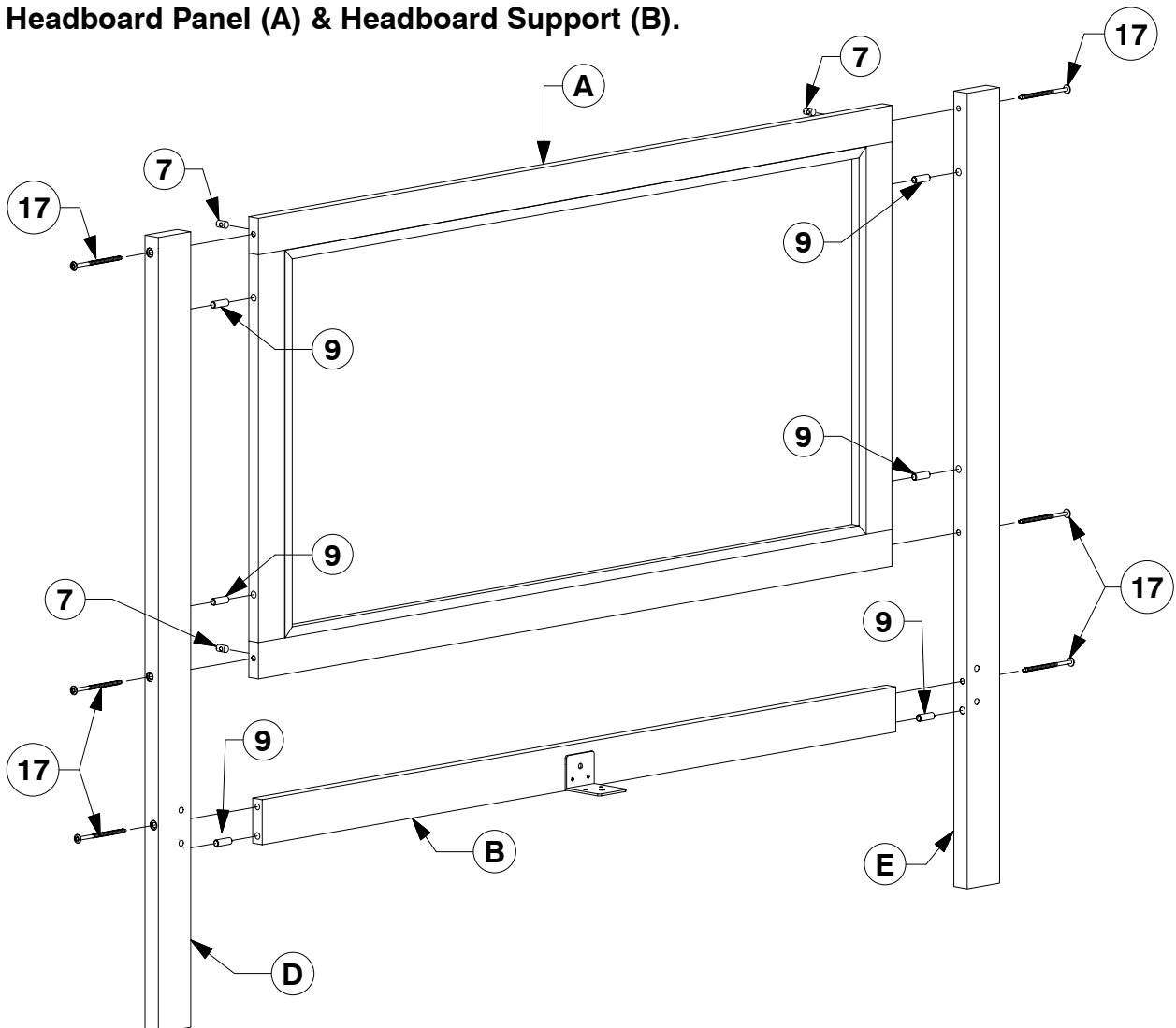
Assembly Instructions

W11-0919

- 7** Fit the Center Rail Bracket to the Headboard Support (B).



- 8** Assemble the Headboard Post (D & E) to the Headboard Panel (A) & Headboard Support (B).

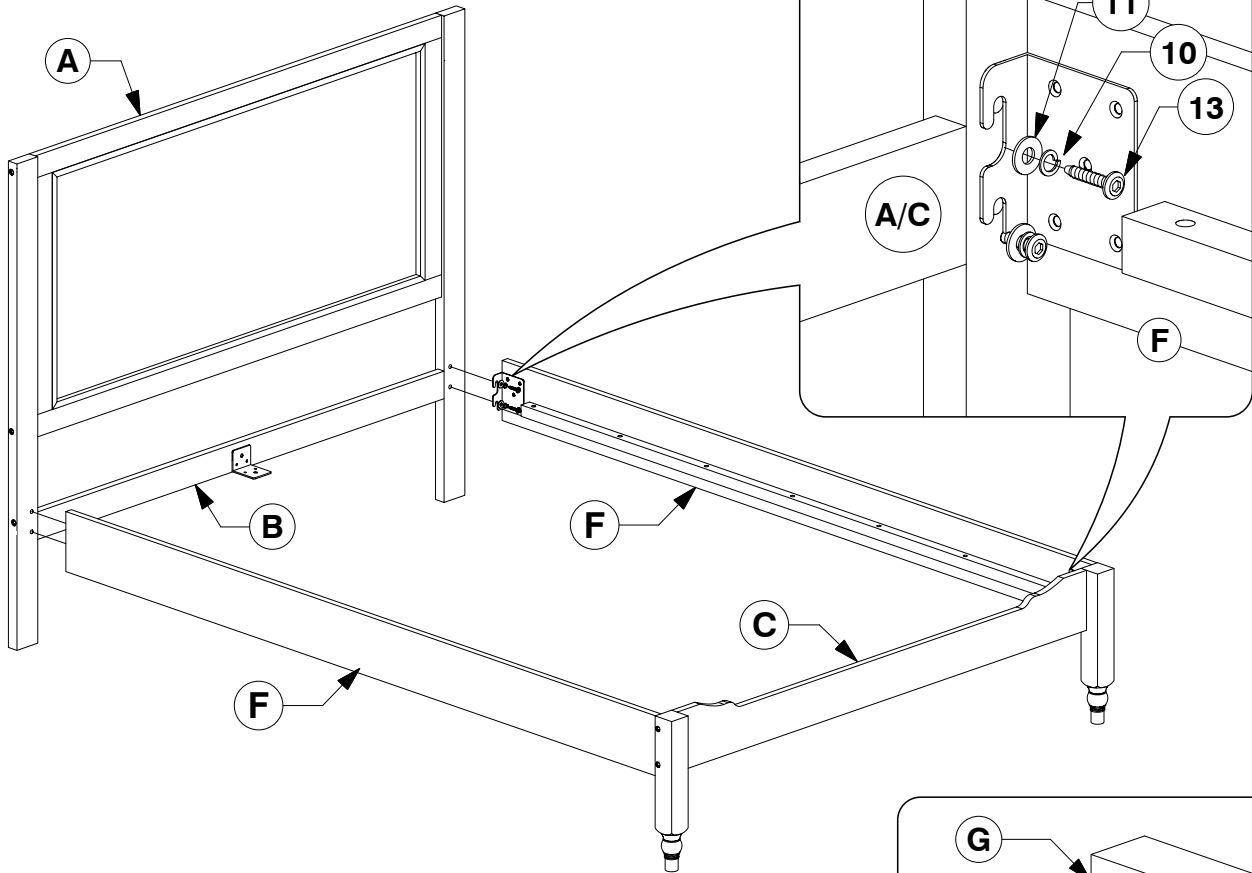


0018 Full Bed

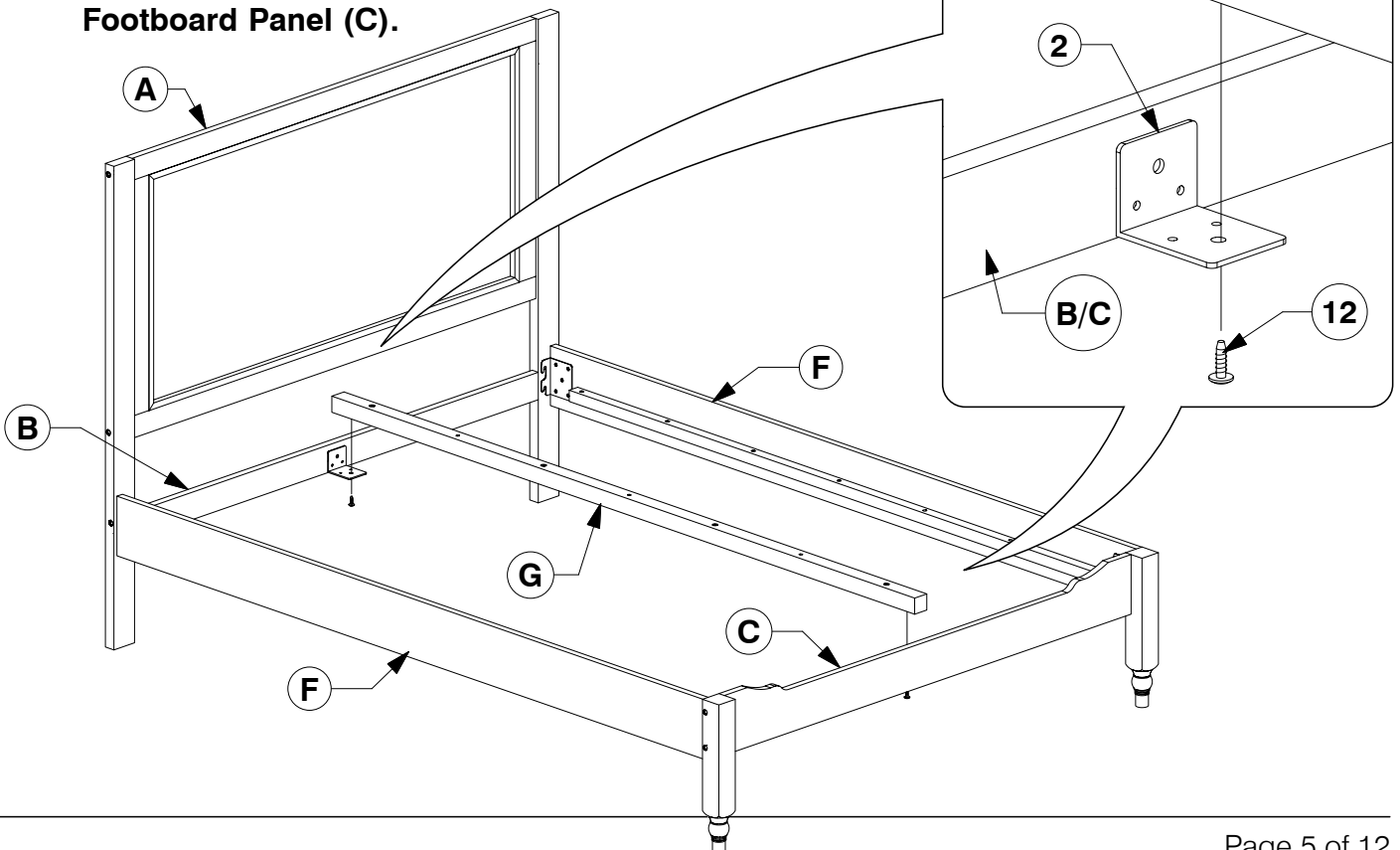
Assembly Instructions

WII-0919

- 9** Assemble the Side Rail (F) to the Headboard & Footboard Panel (A & C).



- 10** Bolt the Long Support (G) to the Center Rail Brackets on the Headboard Support (B) and Footboard Panel (C).

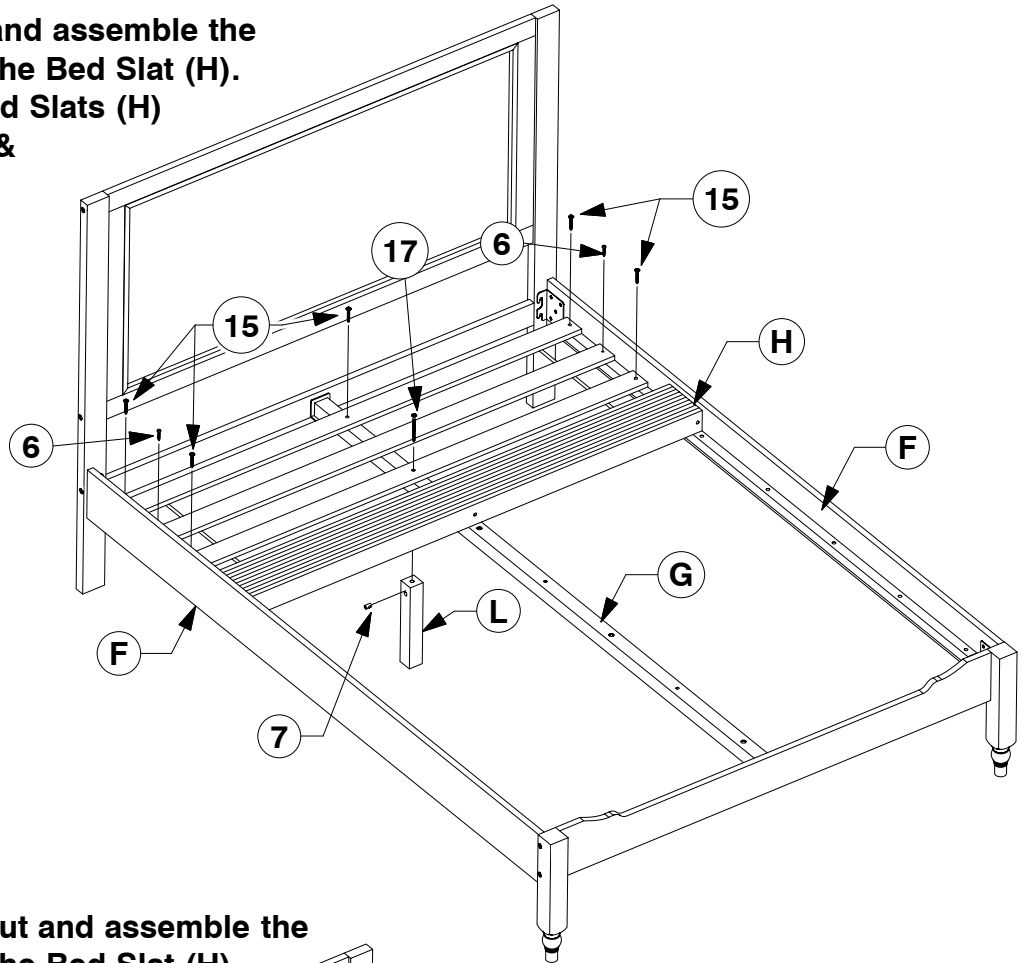


0018 Full Bed

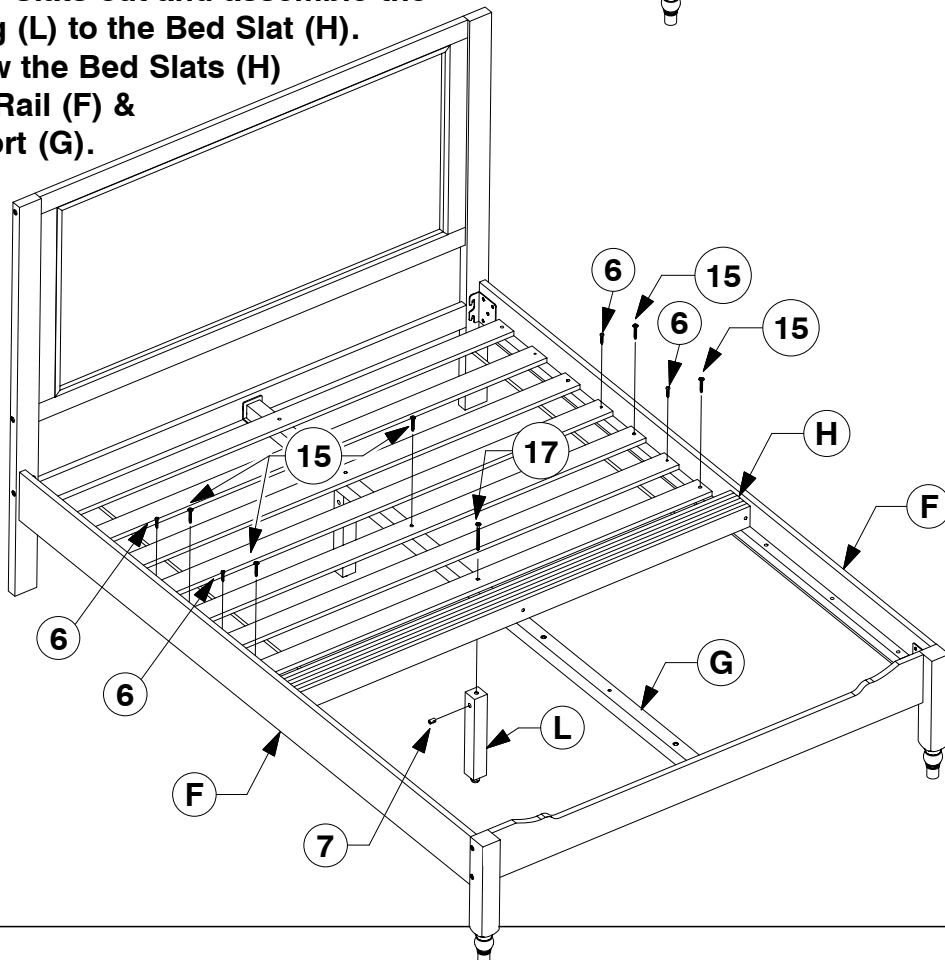
Assembly Instructions

WII-0919

- 11** Fit the first 3 Slats and assemble the Support Leg (L) to the Bed Slat (H). Bolt & screw the Bed Slats (H) to the Side Rail (F) & Long Support (G).



- 12** Fit the other Slats out and assemble the Support Leg (L) to the Bed Slat (H). Bolt & screw the Bed Slats (H) to the Side Rail (F) & Long Support (G).

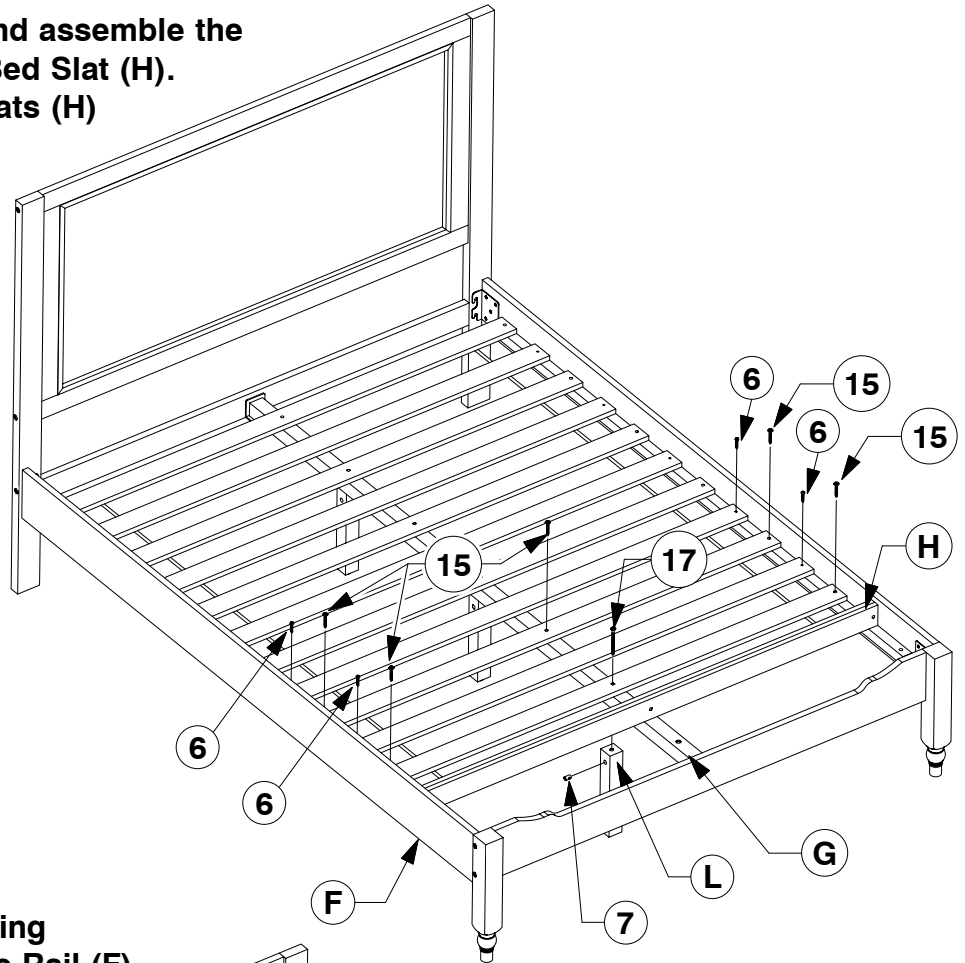


0018 Full Bed

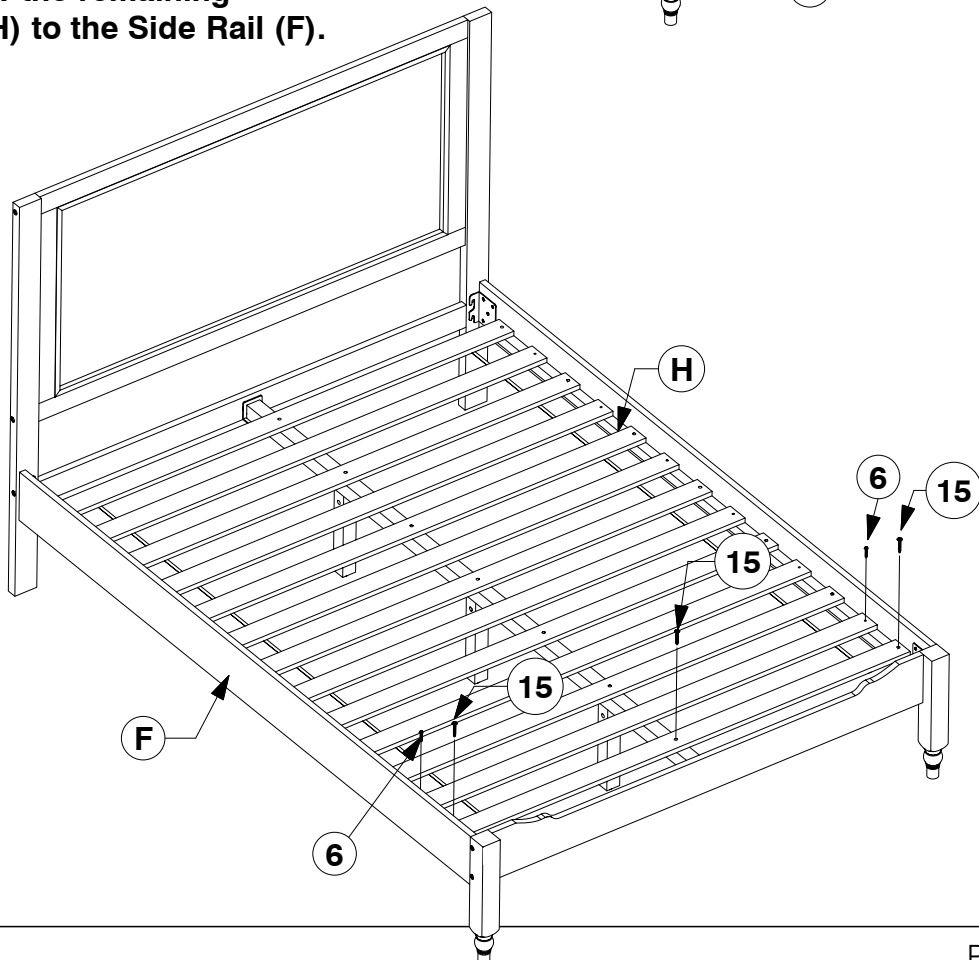
Assembly Instructions

WII-0919

- 13** Fit the other Slats out and assemble the Support Leg (L) to the Bed Slat (H). Bolt & screw the Bed Slats (H) to the Side Rail (F) & Long Support (G).



- 14** Bolt & screw the remaining Bed Slats (H) to the Side Rail (F).

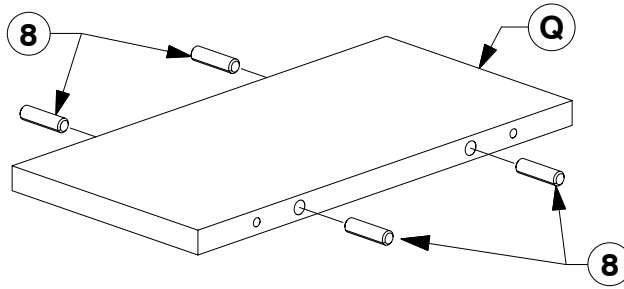


0018 Full Bed

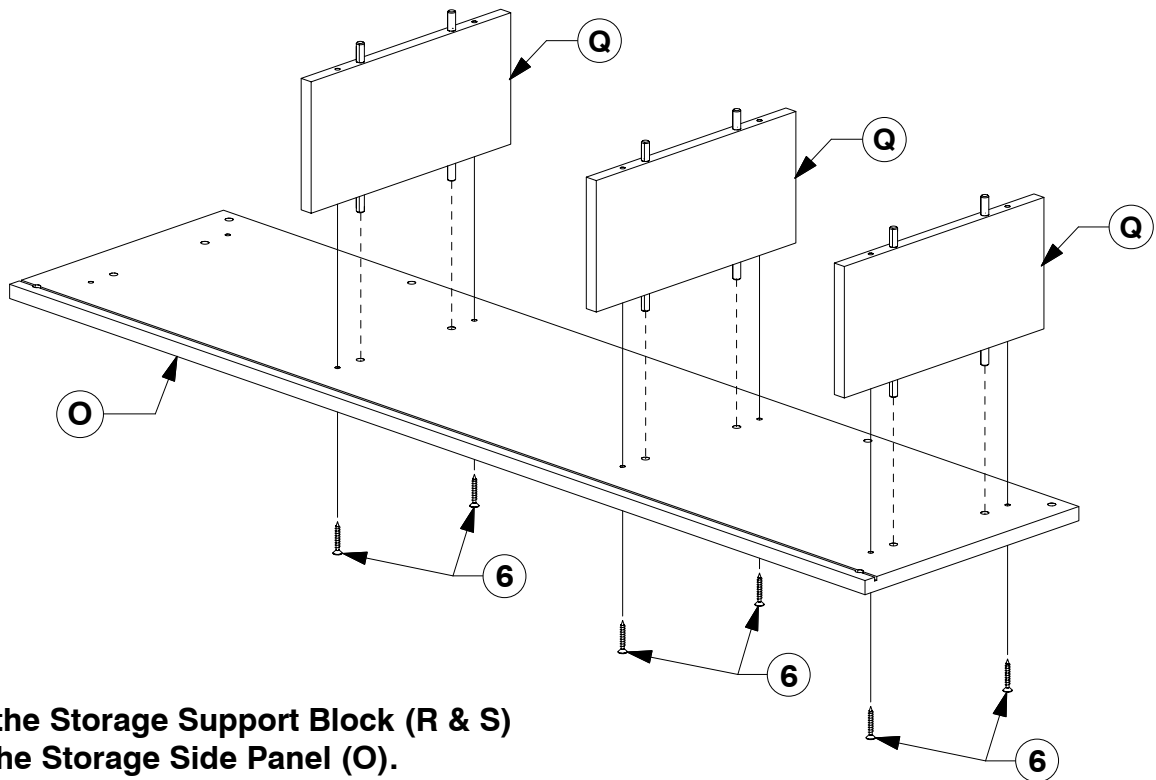
Assembly Instructions

WII-0919

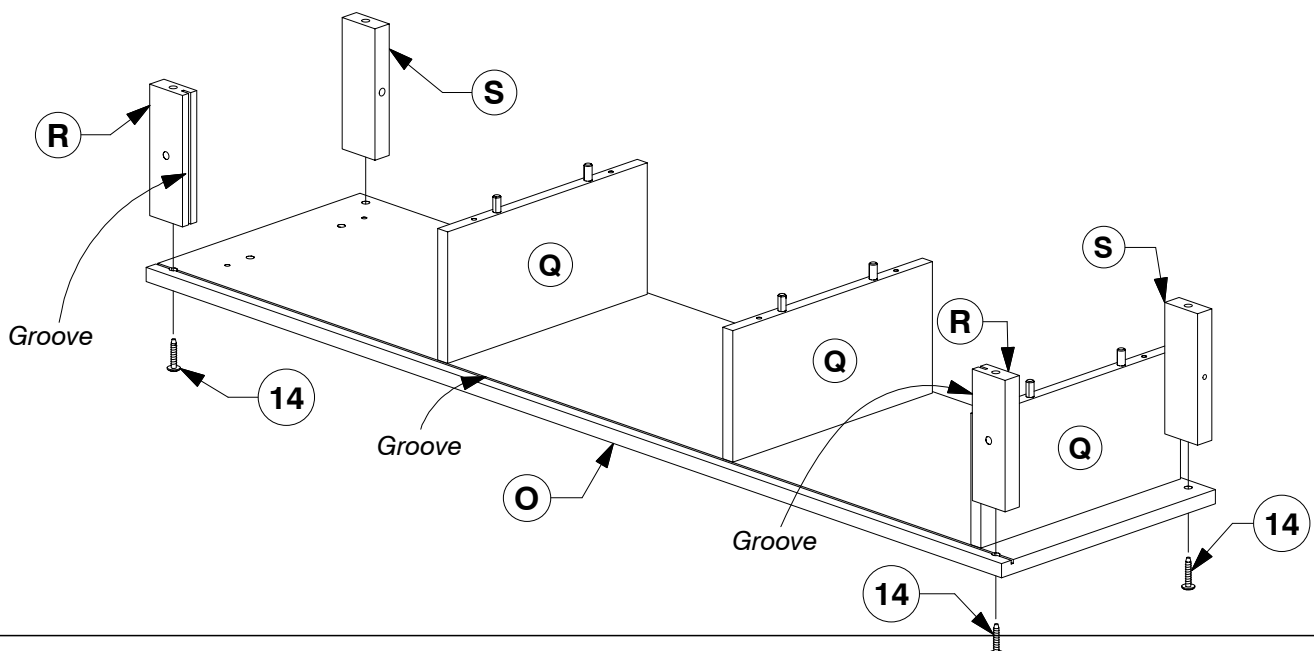
- 15** Tap the Wood Dowels (8) to the Storage Shelf (Q).



- 16** Fit the Storage Shelf (Q) to the Storage Side Panel (O).



- 17** Fit the Storage Support Block (R & S) to the Storage Side Panel (O).

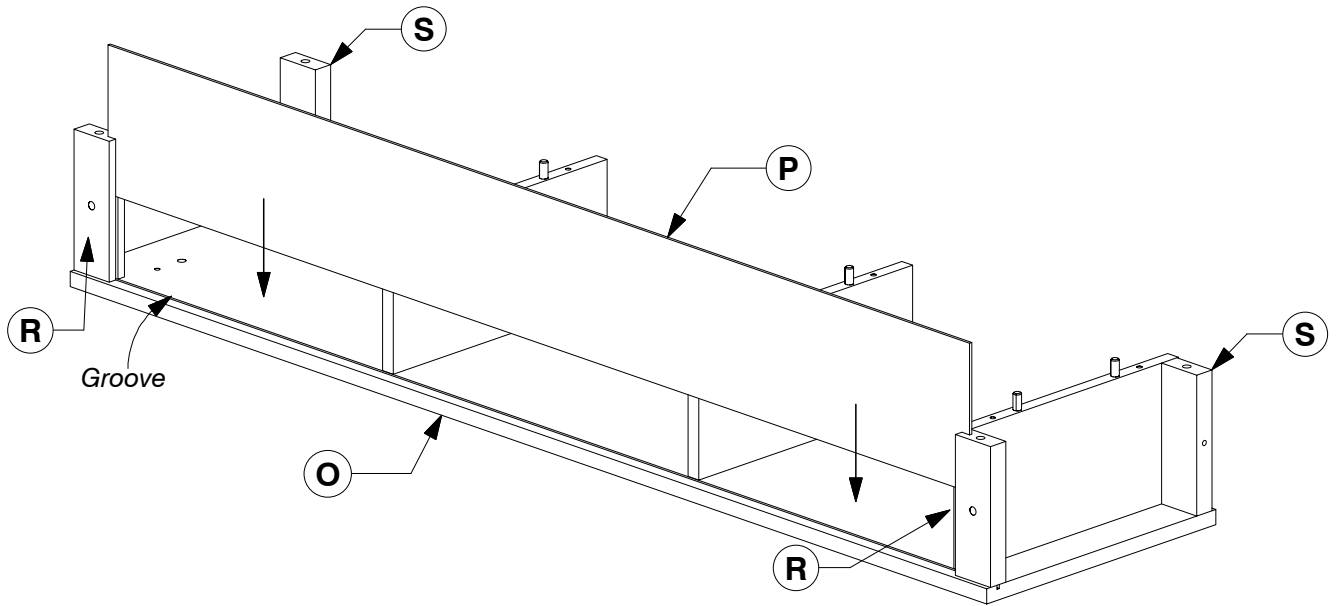


0018 Full Bed

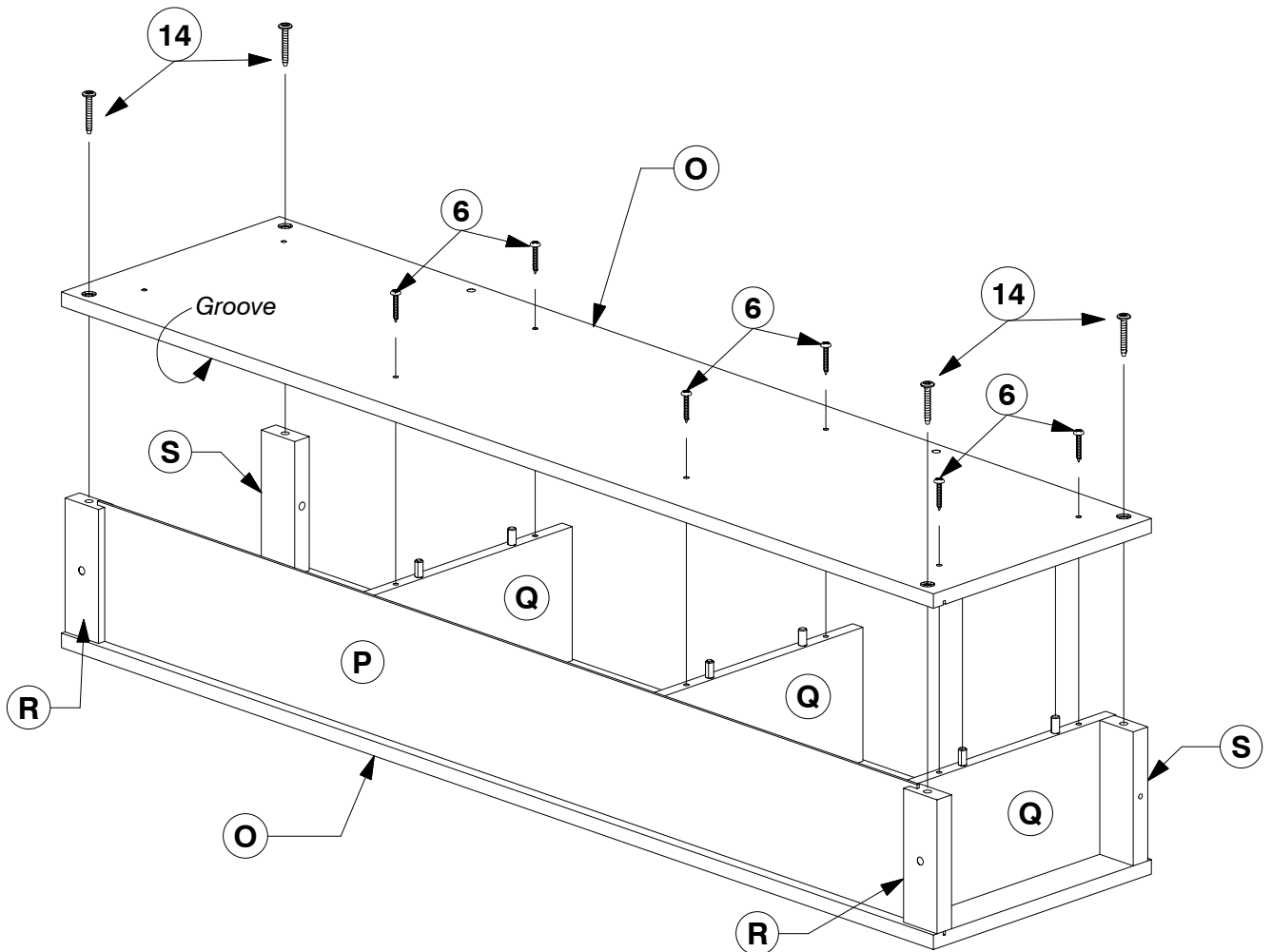
Assembly Instructions

W11-0919

- 18** Slide the Storage Panel (P) into the groove.



- 19** Fit the Storage Side Panel (O) in place.

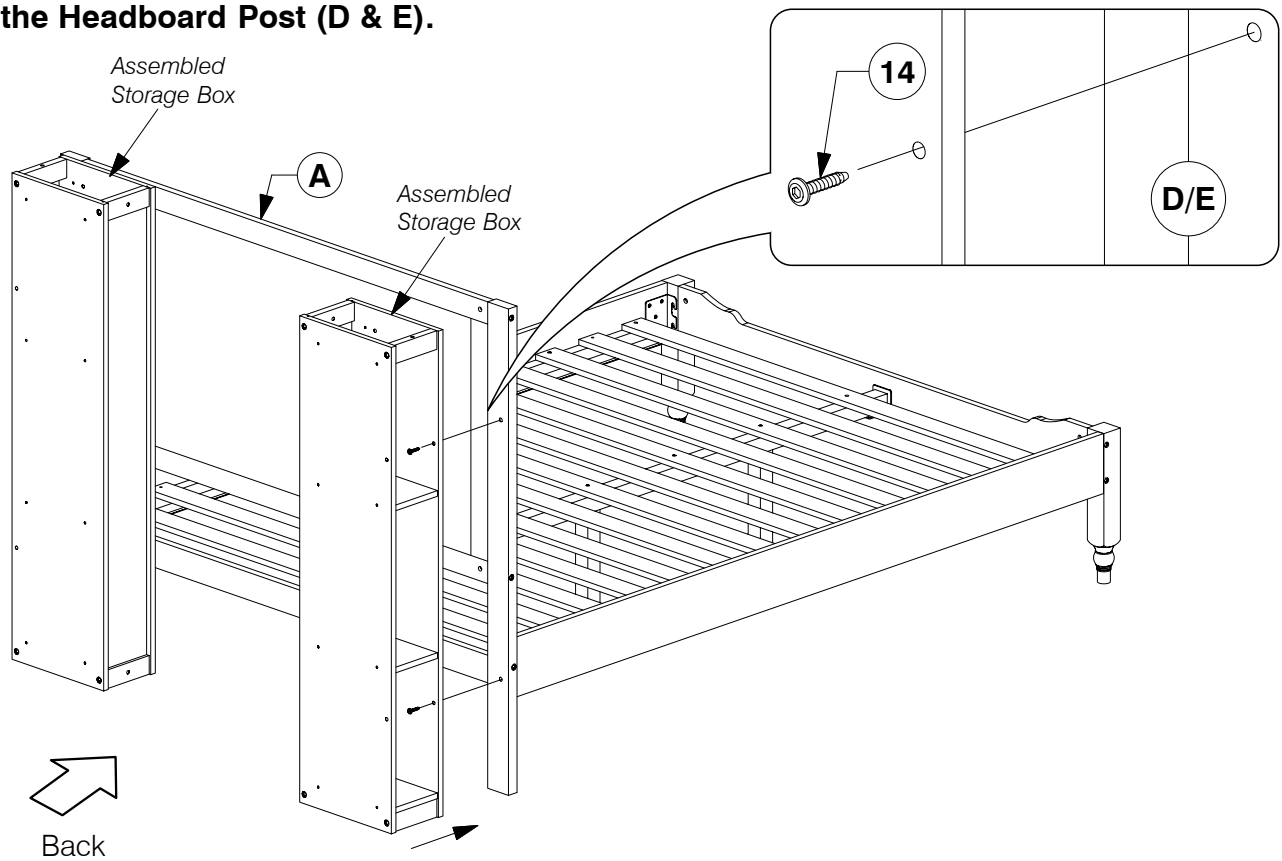


0018 Full Bed

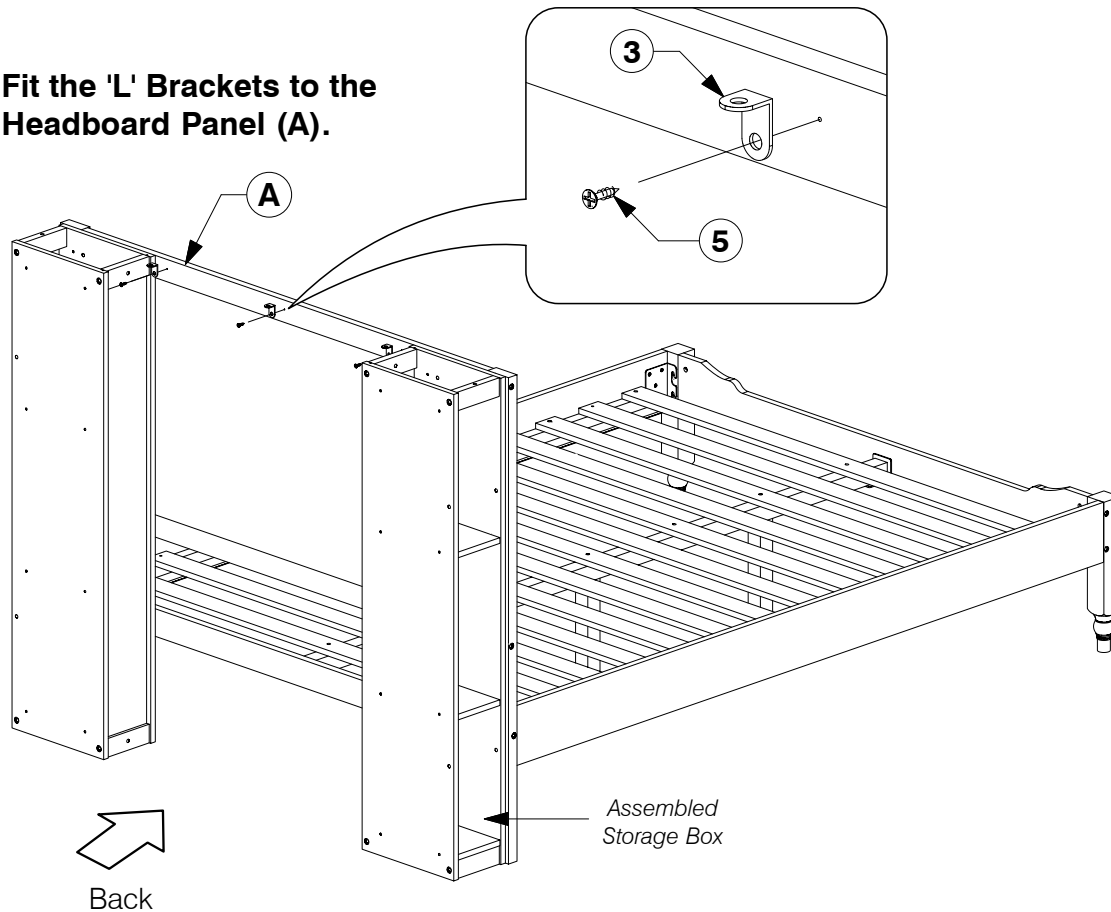
Assembly Instructions

W11-0919

- 20** Attach the assembled Storage Box to the Headboard Post (D & E).



- 21** Fit the 'L' Brackets to the Headboard Panel (A).



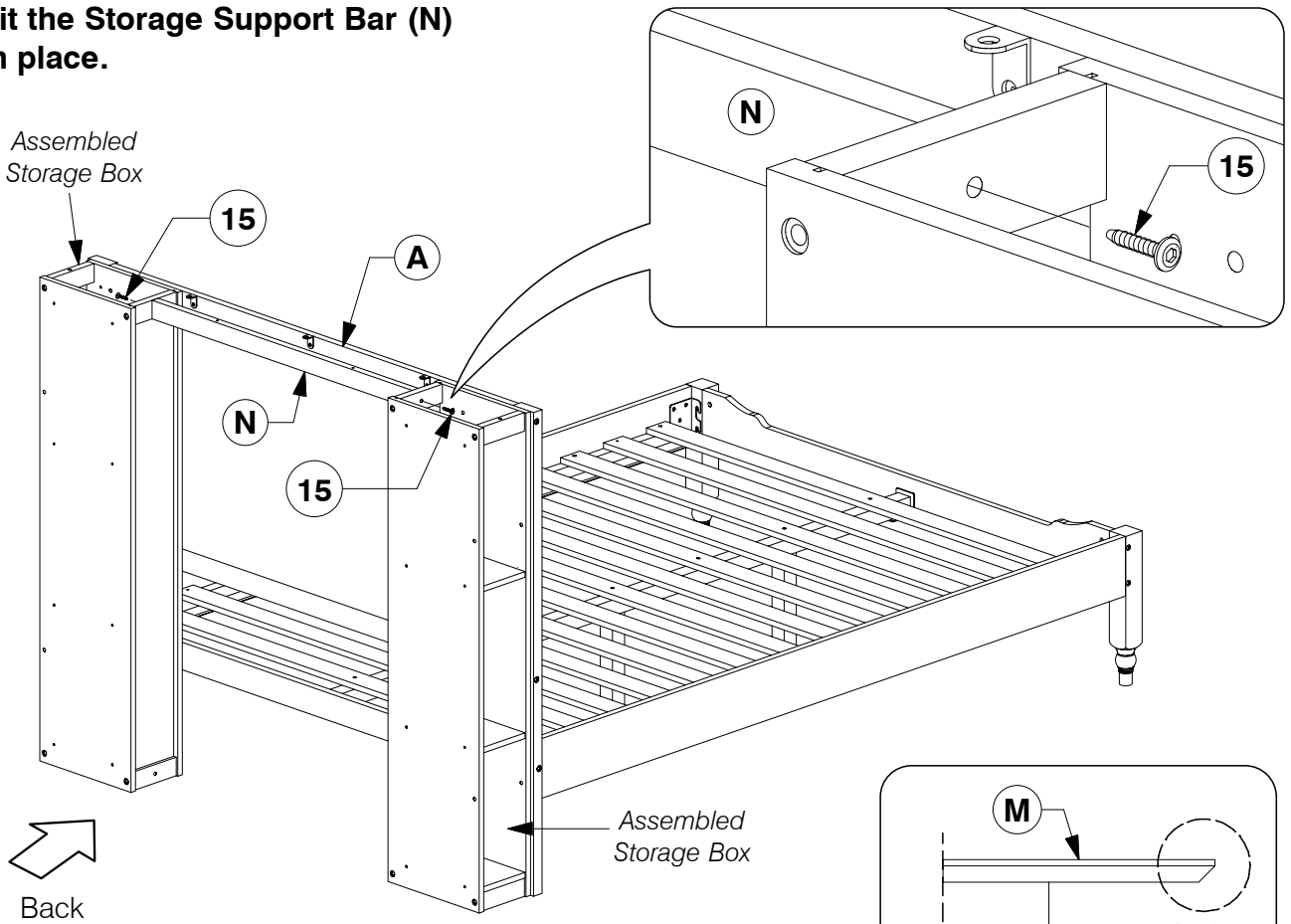
0018 Full Bed

Assembly Instructions

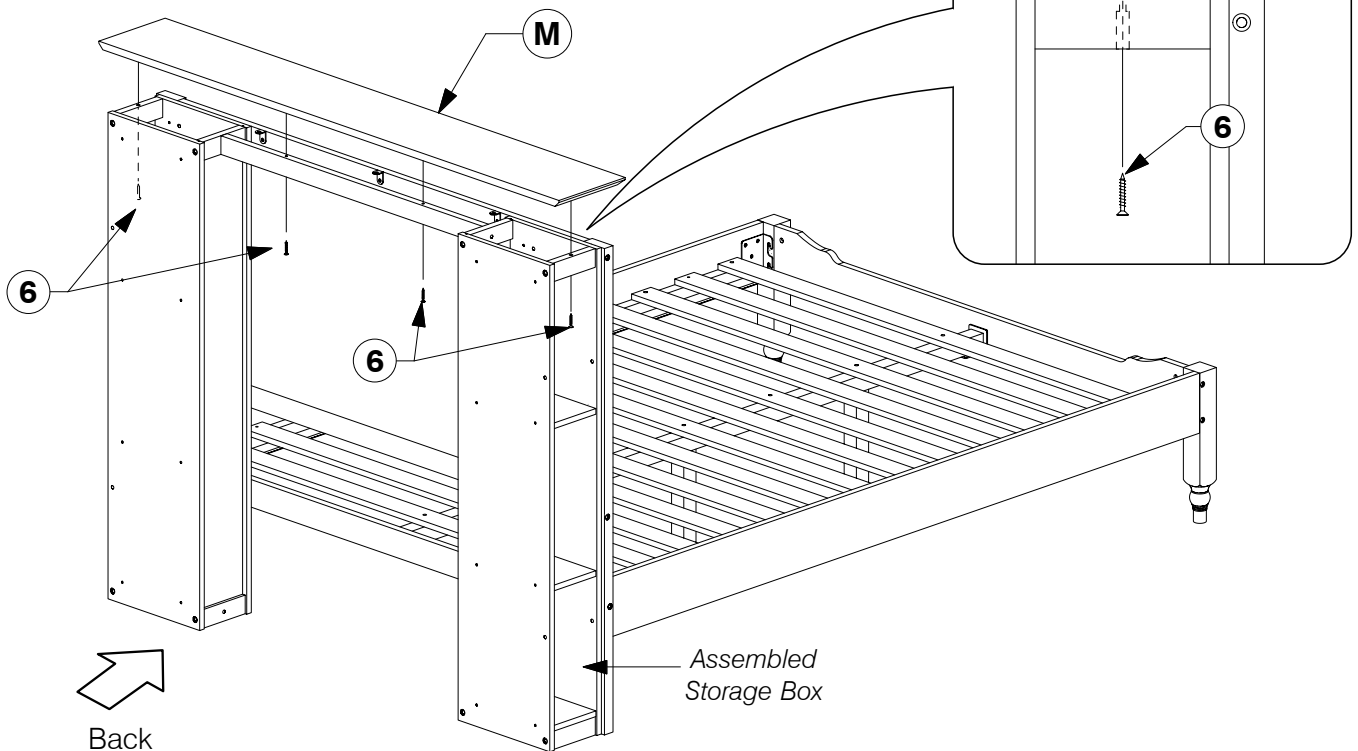
W11-0919

- 22** Fit the Storage Support Bar (N) in place.

Assembled Storage Box



- 23** Fit the Headboard Top Panel (M) on top of the assembled Storage Box & Headboard.



0018 Full Bed

Assembly Instructions

W11-0919

24 Tighten the Top Cap (M) with M4 x 16mm Wood Screws.

