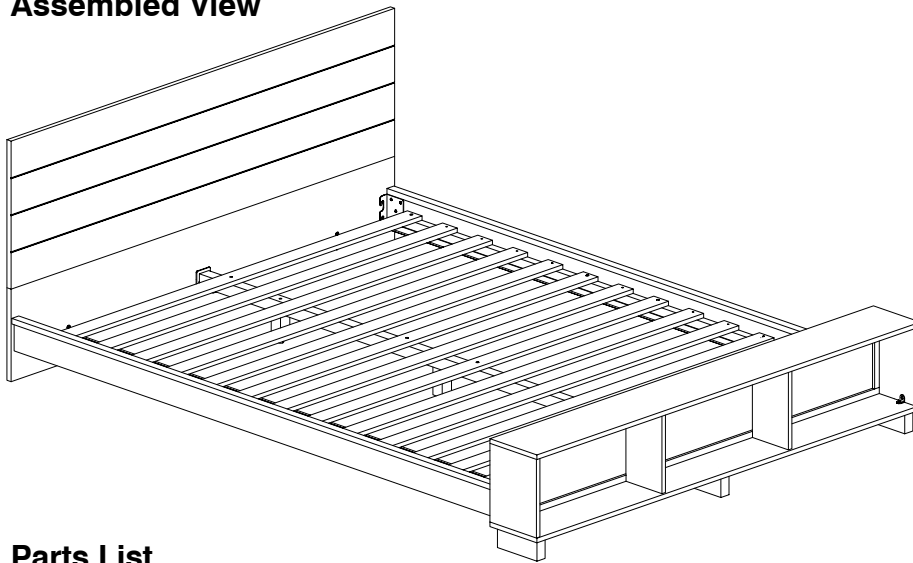


0017 Queen Bed

Assembly Instructions

W11-0919

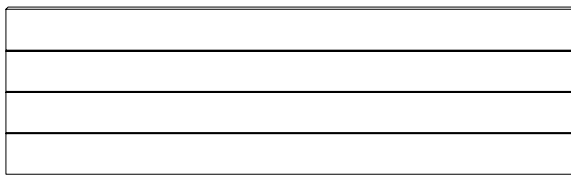
1 Assembled View



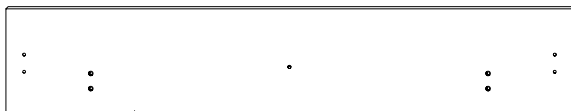
Note: Do not assemble using power tools. This can cause the bolts to be overtightened

2 Parts List

Parts in Box A:



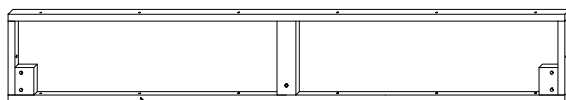
A Headboard Top Panel x 1



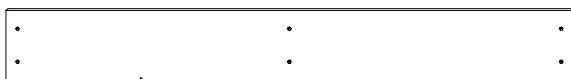
B Headboard Bottom Panel x 1



C Footboard Top Panel x 1



D Footboard Frame x 1



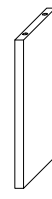
E Footboard Bottom Panel x 1



F Support Bar x 2



G Footboard Side Panel x 2



H Footboard Divider x 2



J Footboard Foot x 3

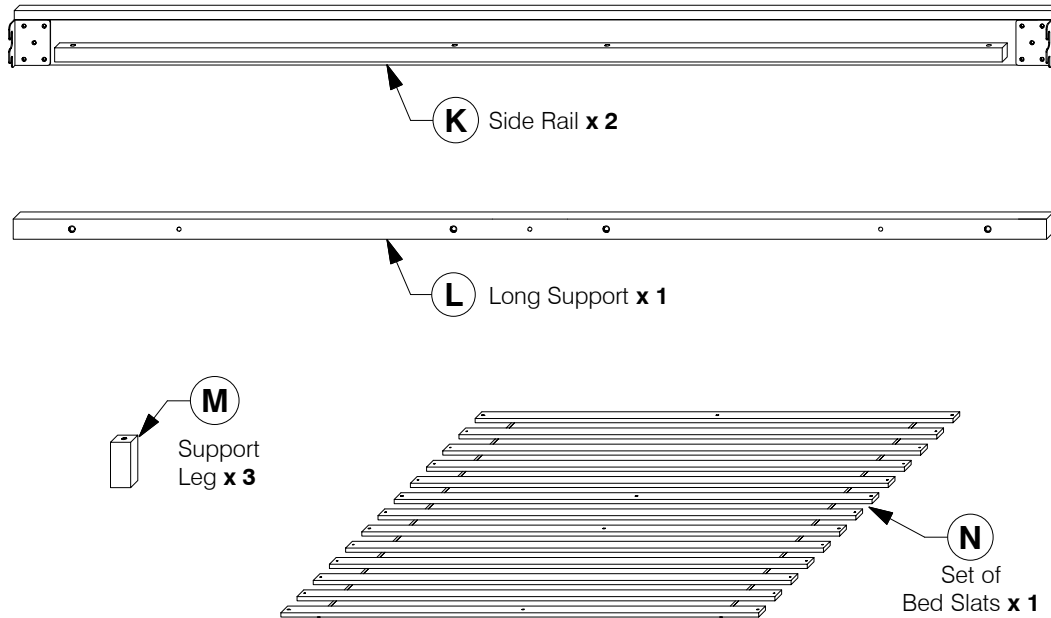
0017 Queen Bed

Assembly Instructions

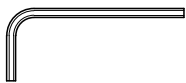
WII-0919

2 Parts List

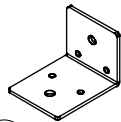
Parts in Box B:



3 Hardware List



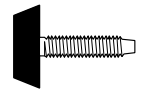
1 M4 Allen Key
x 1



2 Center Rail Bracket
x 2



3 'L' Bracket
x 4



4 Adjustable Foot
x 3



5 Wood Dowel
(M8 x 30mm) x 8



6 Wood Screw
(M4 x 32mm) x 30



7 Spring Washer
x 18



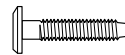
8 Flat Washer
x 18



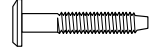
9 M6 x 15mm JCB
x 12



10 M6 x 20mm JCB
x 8



11 M6 x 30mm JCB
x 2



12 M6 x 35mm JCB
x 10



13 M6 x 40mm JCB
x 12



14 M6 x 60mm JCB
x 6



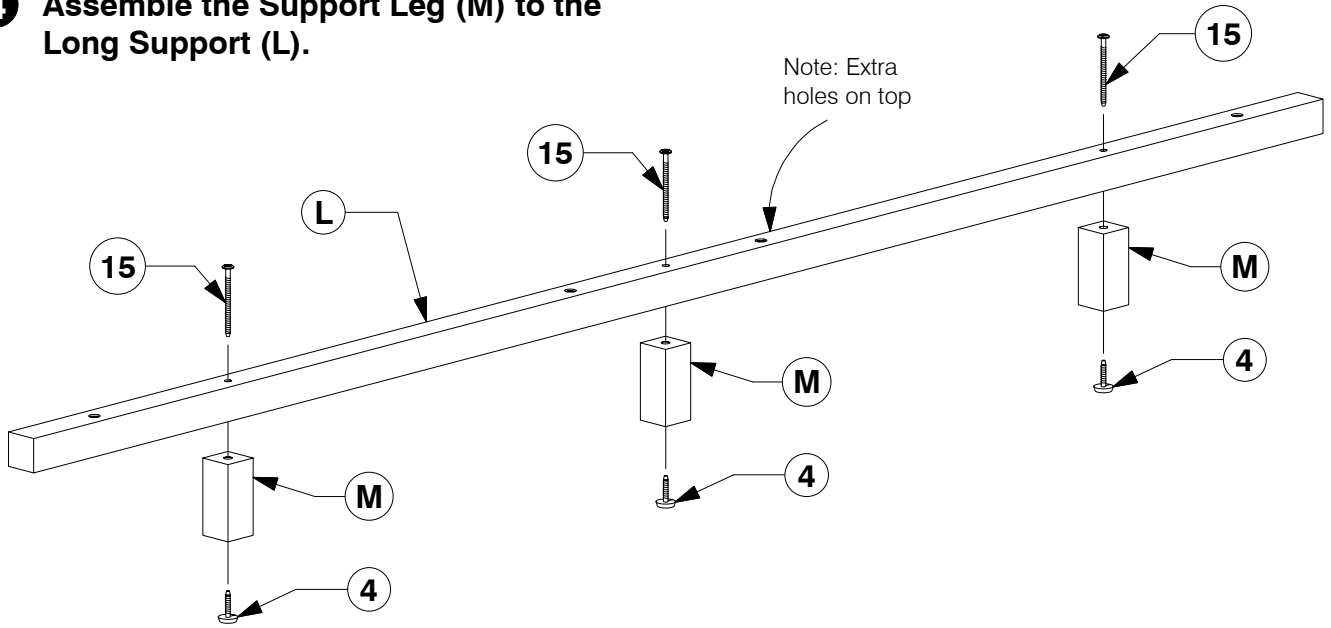
15 M6 x 90mm JCB
x 3

0017 Queen Bed

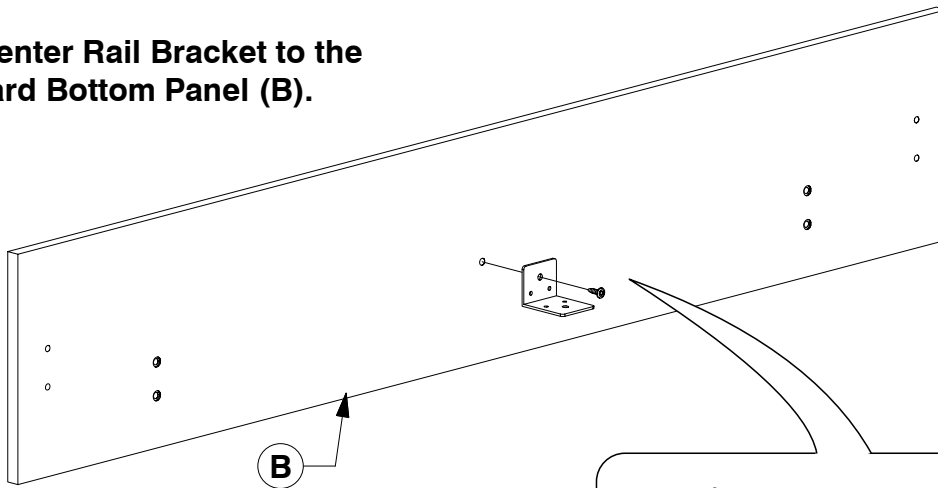
Assembly Instructions

WII-0919

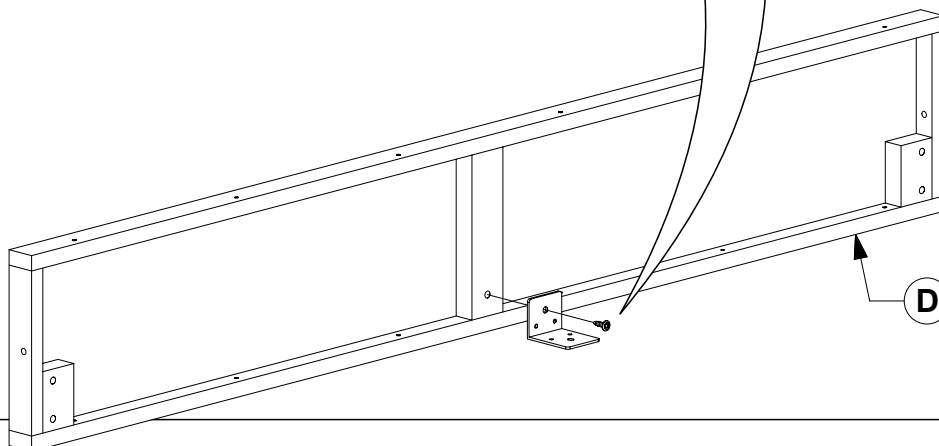
- 4 Assemble the Support Leg (M) to the Long Support (L).**



- 5 Fit the Center Rail Bracket to the Headboard Bottom Panel (B).**



- 6 Fit the Center Rail Bracket to the Footboard Frame (D).**

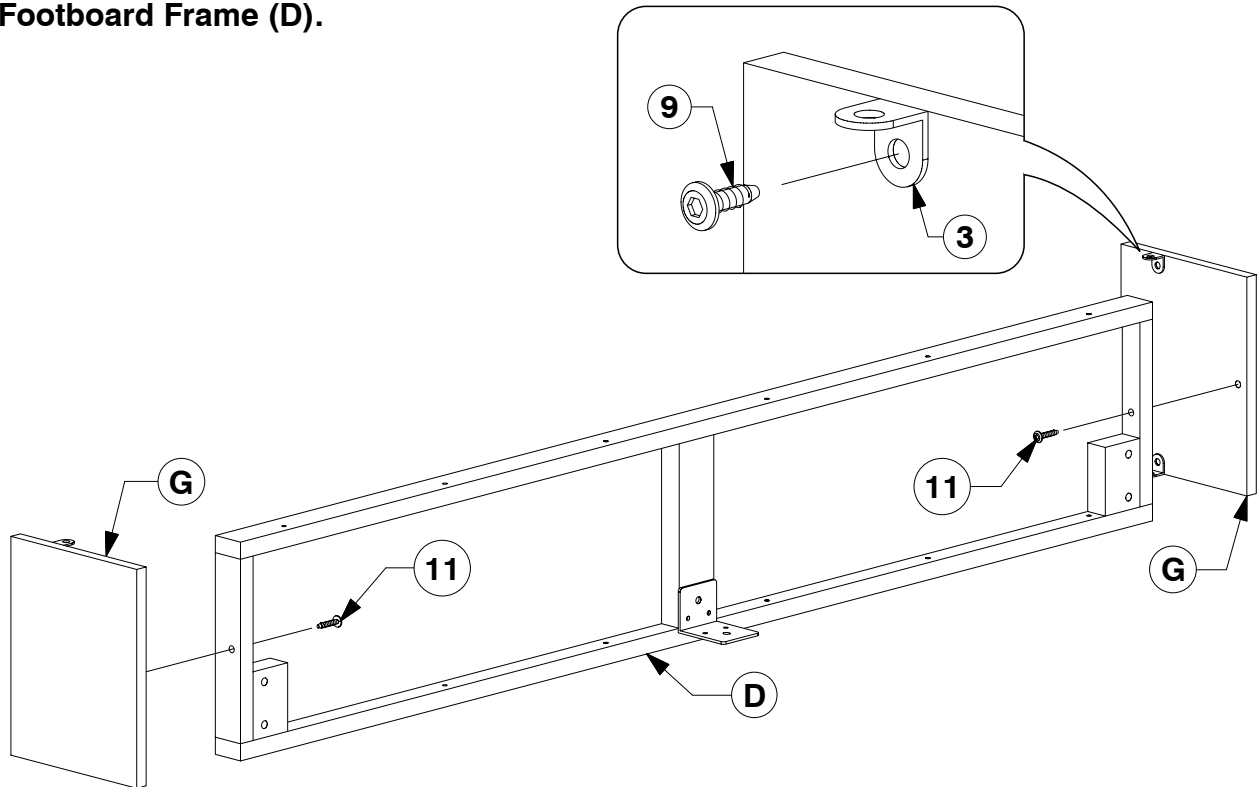


0017 Queen Bed

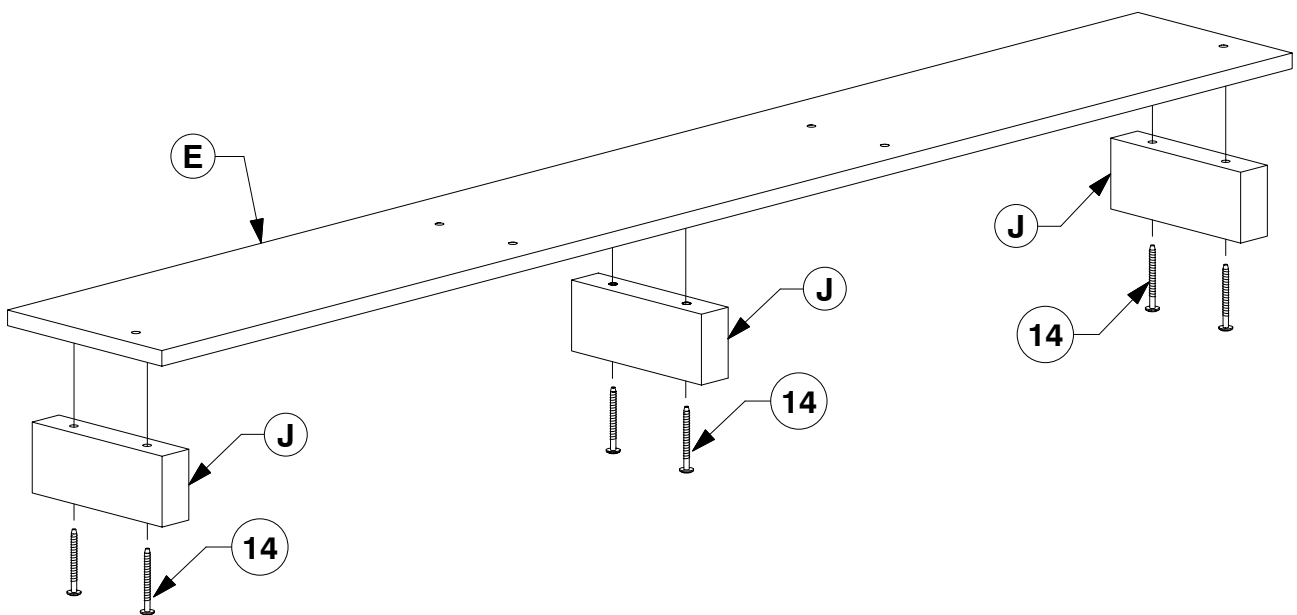
Assembly Instructions

W11-0919

- 7** Fit 'L' Bracket to the Footboard Side Panel (G).
Assemble the Footboard Side Panel (G) to the
Footboard Frame (D).



- 8** Fit the Footboard Foot (J) to the Footboard Bottom Panel (E).

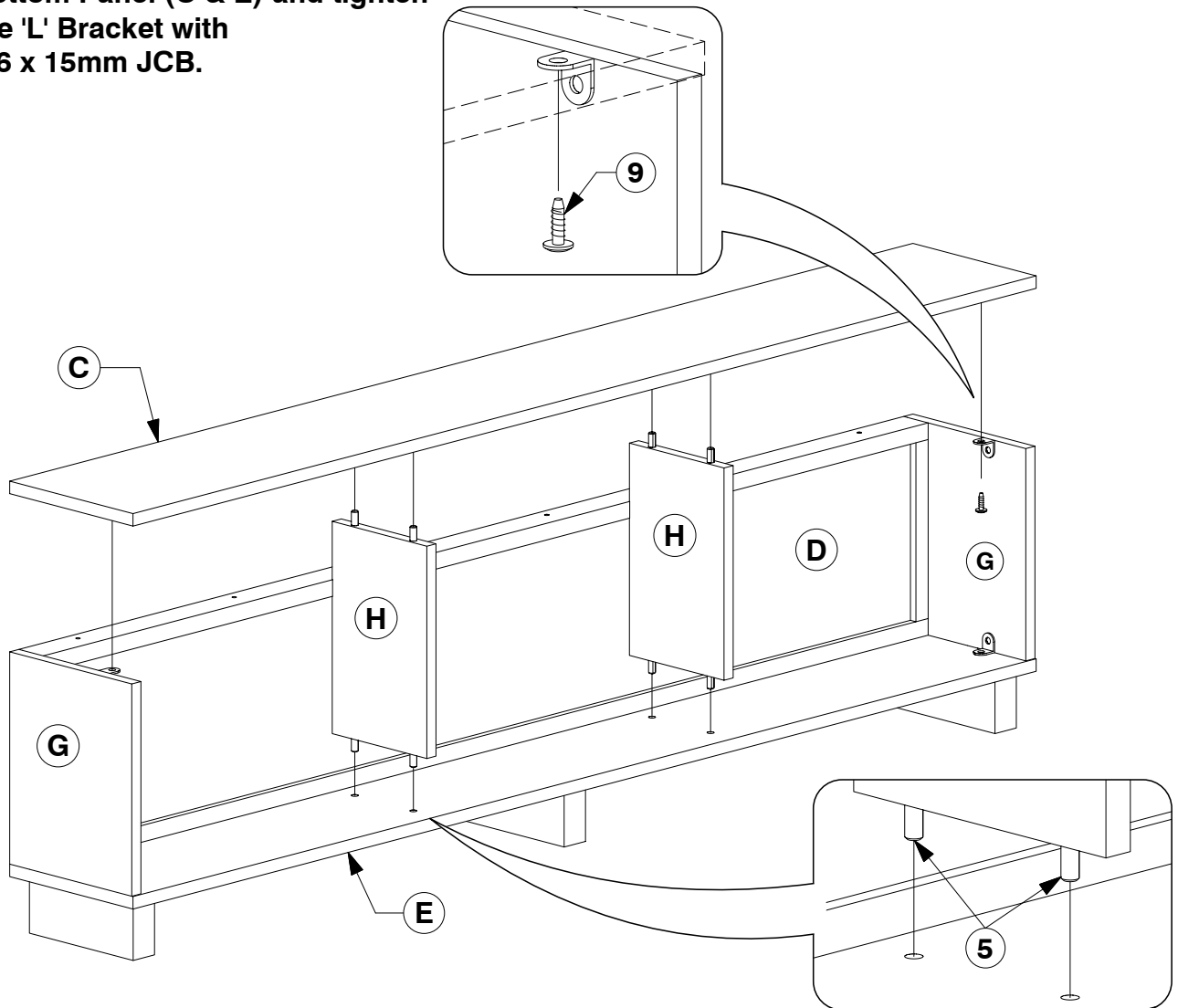


0017 Queen Bed

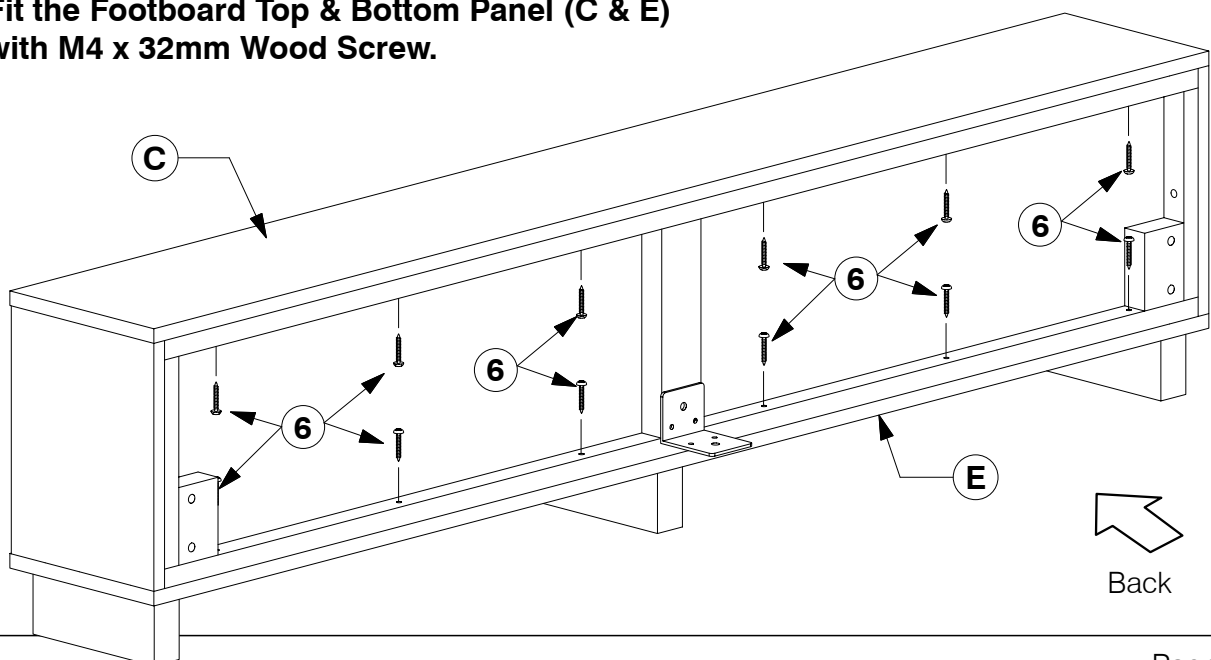
Assembly Instructions

WII-0919

- 9** Fit the Footboard Divider (H) to the Footboard Top & Bottom Panel (C & E) and tighten the 'L' Bracket with M6 x 15mm JCB.



- 10** Fit the Footboard Top & Bottom Panel (C & E) with M4 x 32mm Wood Screw.

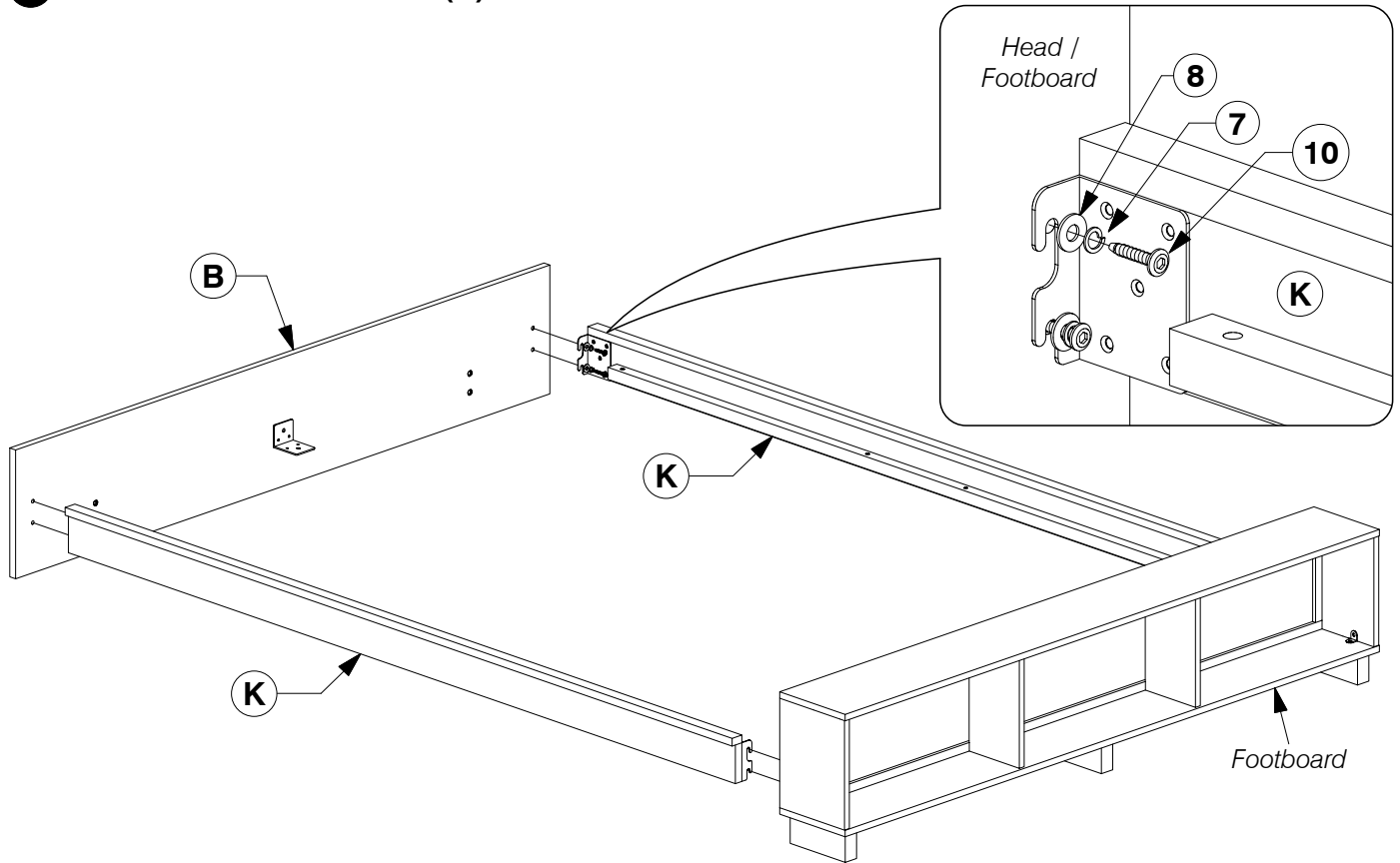


0017 Queen Bed

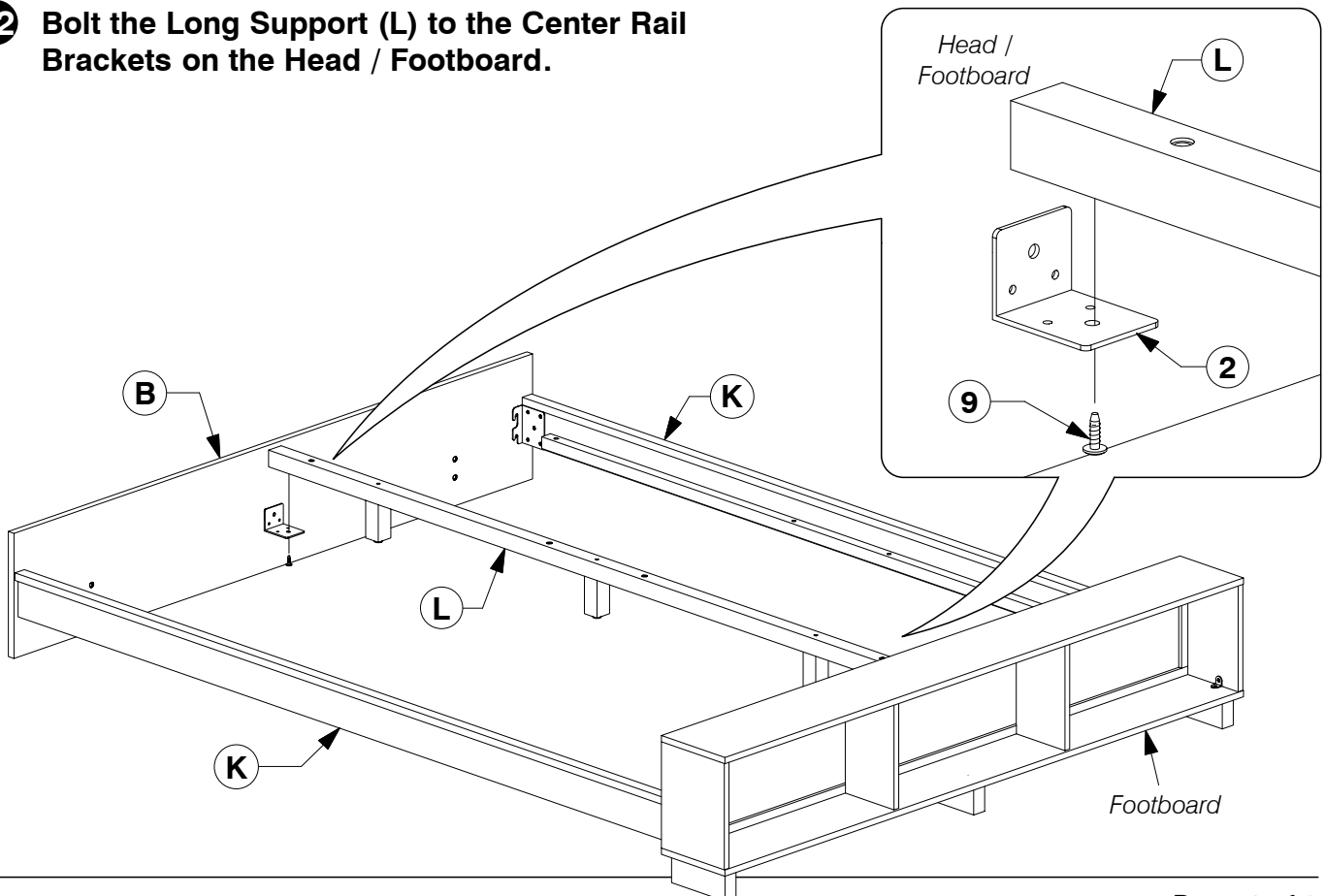
Assembly Instructions

W11-0919

11 Assemble the Side Rail (K) to the Head / Footboard.



12 Bolt the Long Support (L) to the Center Rail Brackets on the Head / Footboard.

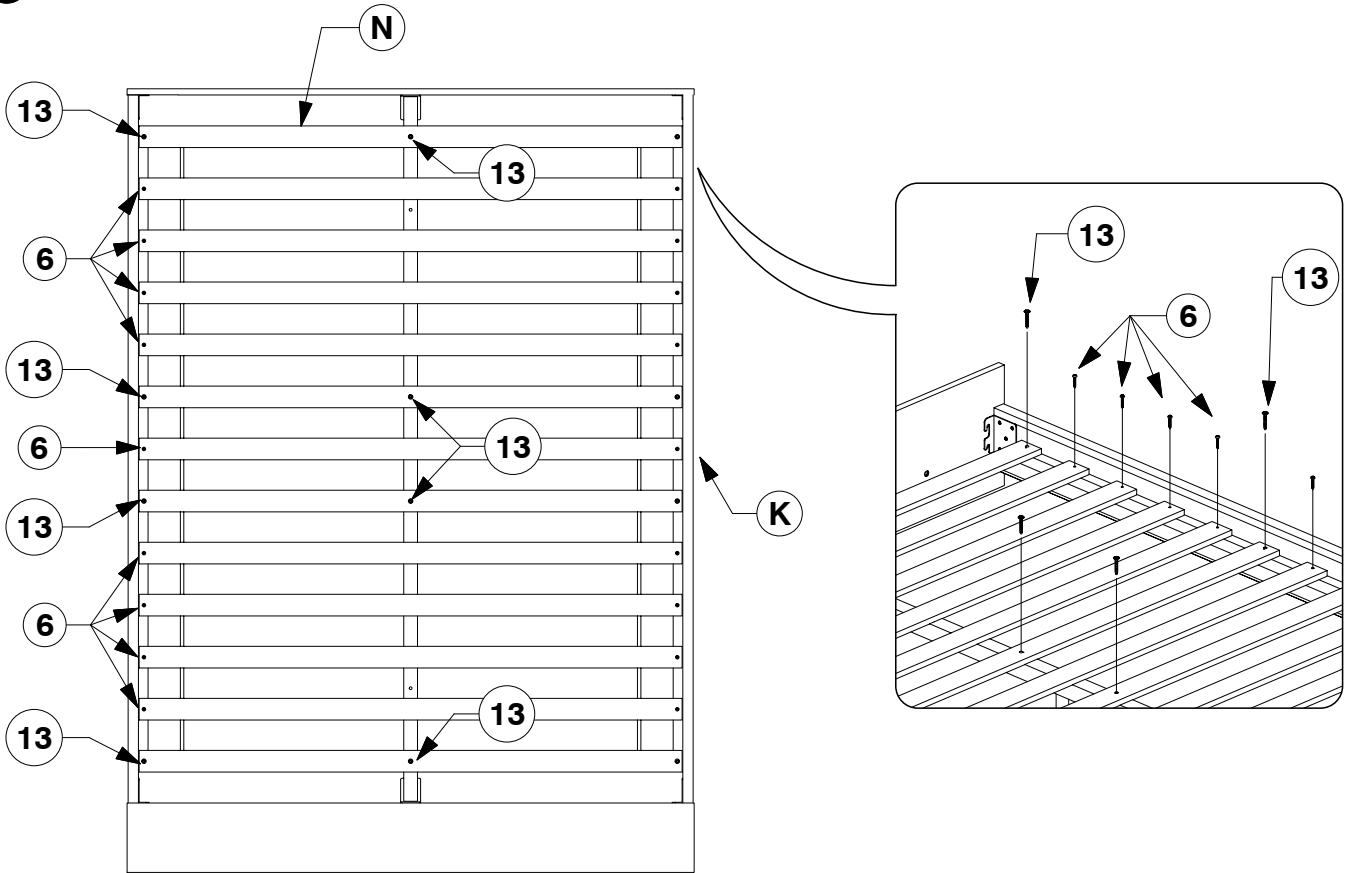


0017 Queen Bed

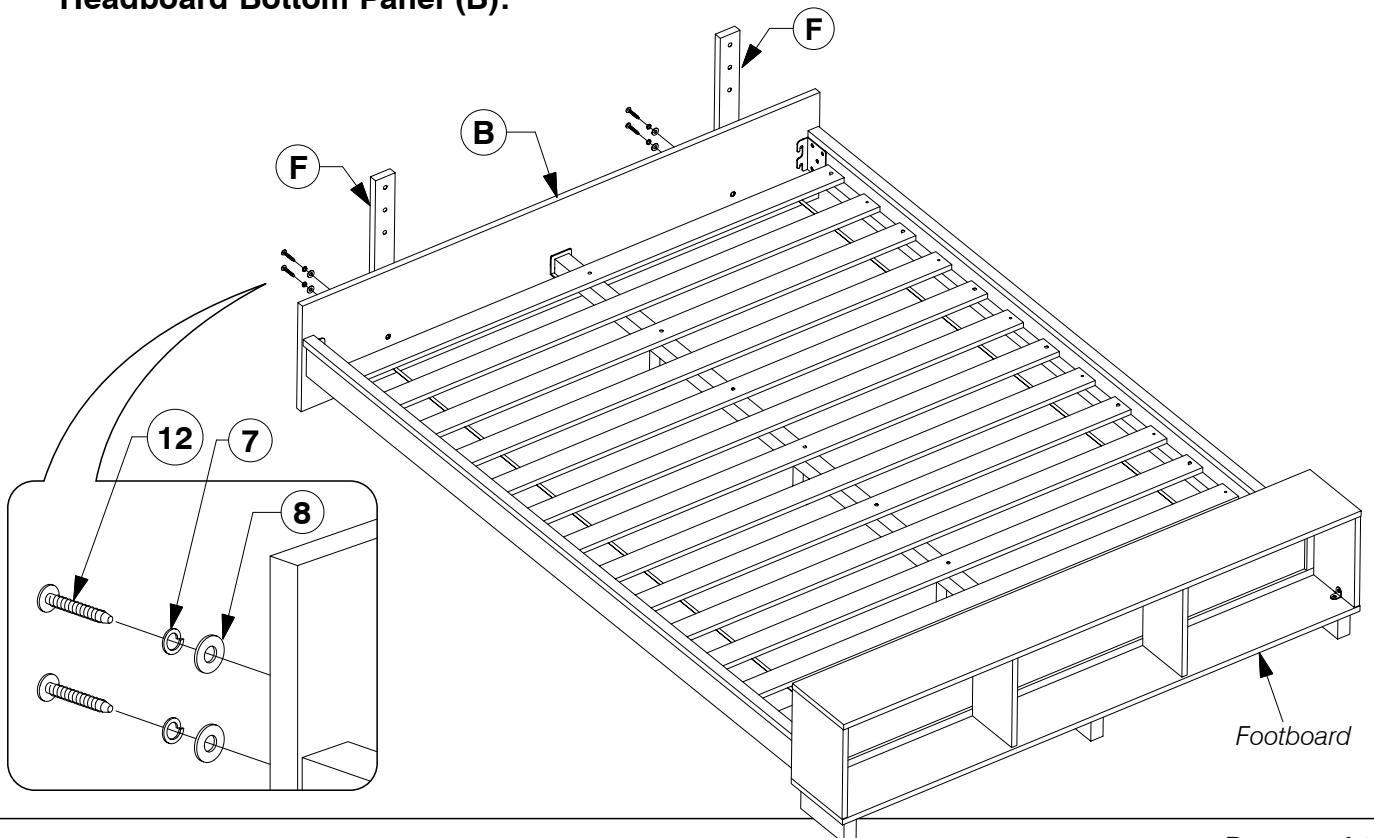
Assembly Instructions

WII-0919

- 13** Bolt & screw the Bed Slats (N) to the Side Rail (K).



- 14** Assemble the Support Bars (F) to the Headboard Bottom Panel (B).

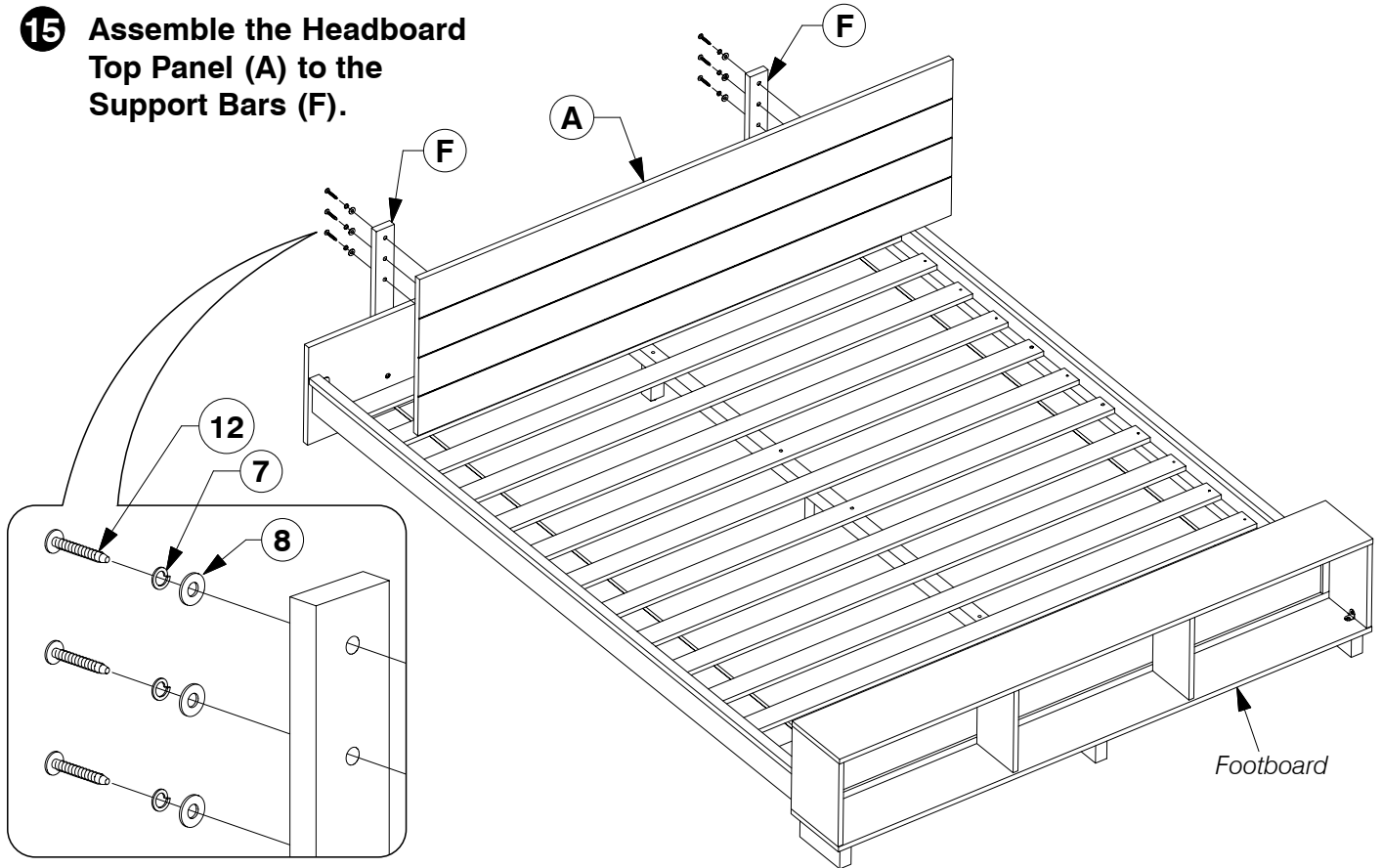


0017 Queen Bed

Assembly Instructions

W11-0919

- 15** Assemble the Headboard Top Panel (A) to the Support Bars (F).



Footboard