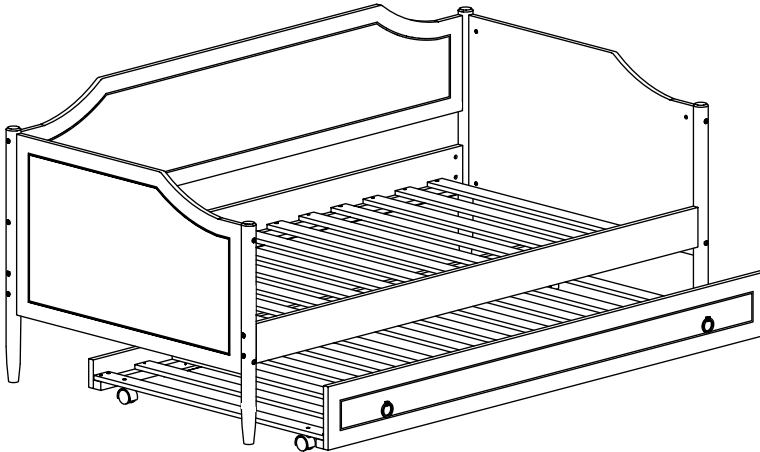


0016-1 Daybed

Assembly Instructions

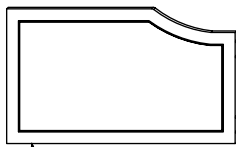
W11-0120

1 Assembled View

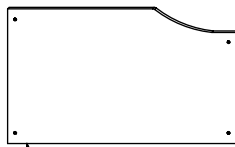


Note: Do not assemble using power tools. This can cause the bolts to be overtightened

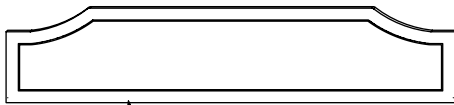
2 Parts in this Box



A Side Panel (Left Hand) x 1



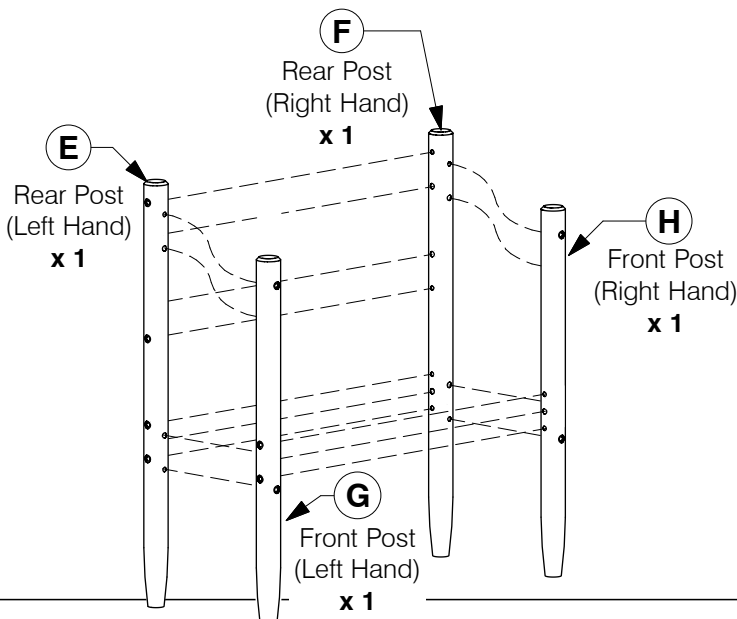
B Side Panel (Right Hand) x 1



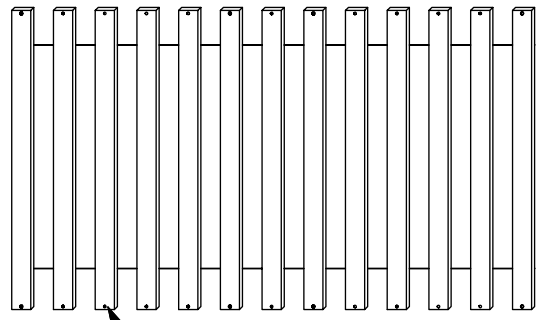
C Back Panel x 1



D Side Rail x 2



Slats are packed in separately in Box B



J Set of Slats x 1

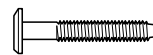
3 Hardware in this Box



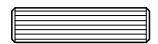
1 M6 x 90mm JCB x 20



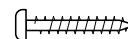
4 Barrel Nut x 20



2 M6 x 40mm JCB x 8



5 Wood Dowel (10 x 40mm) x 16



3 Wood Screw (M4 x 32mm) x 18



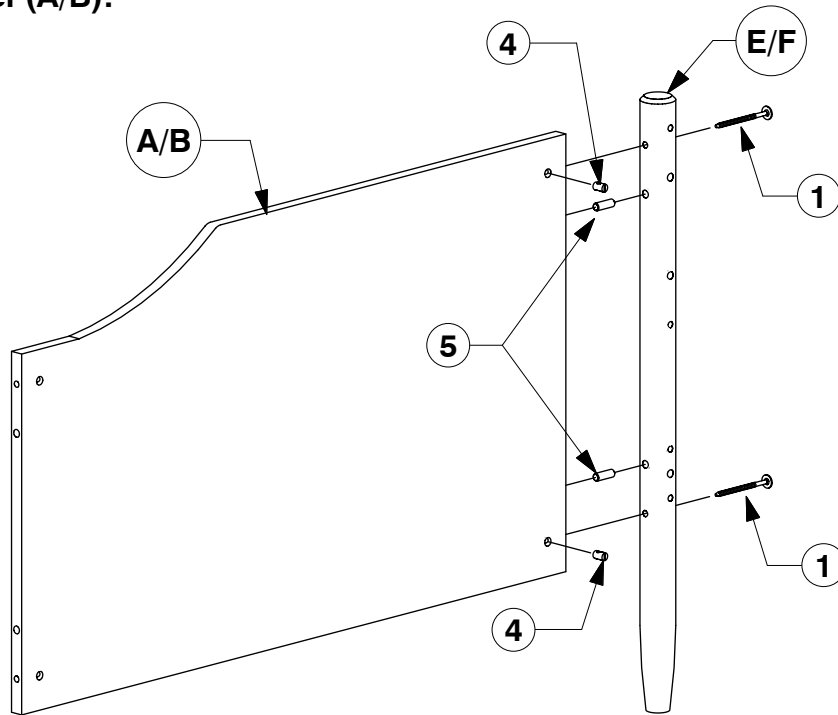
6 Allen Key x 1

0016-1 Daybed

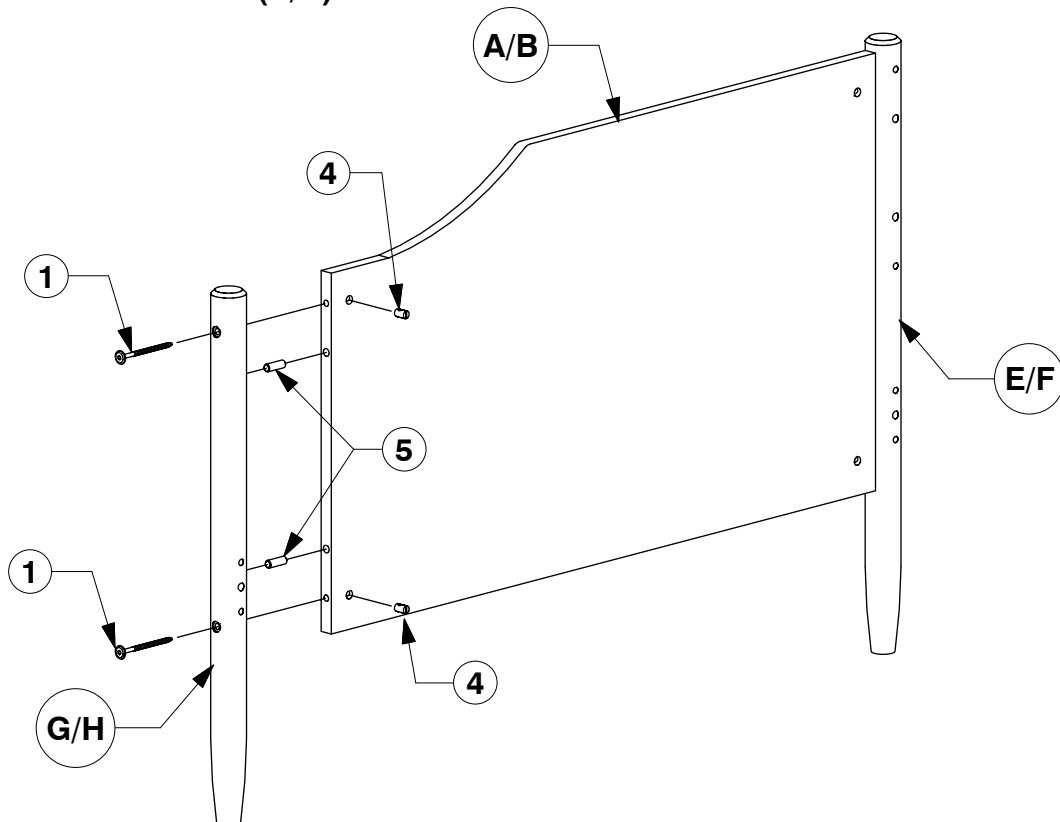
Assembly Instructions

WII-0120

- 4** Assemble the Rear Post (E/F) to the Side Panel (A/B).



- 5** Assemble the Front Post (G/H) to the Side Panel (A/B).

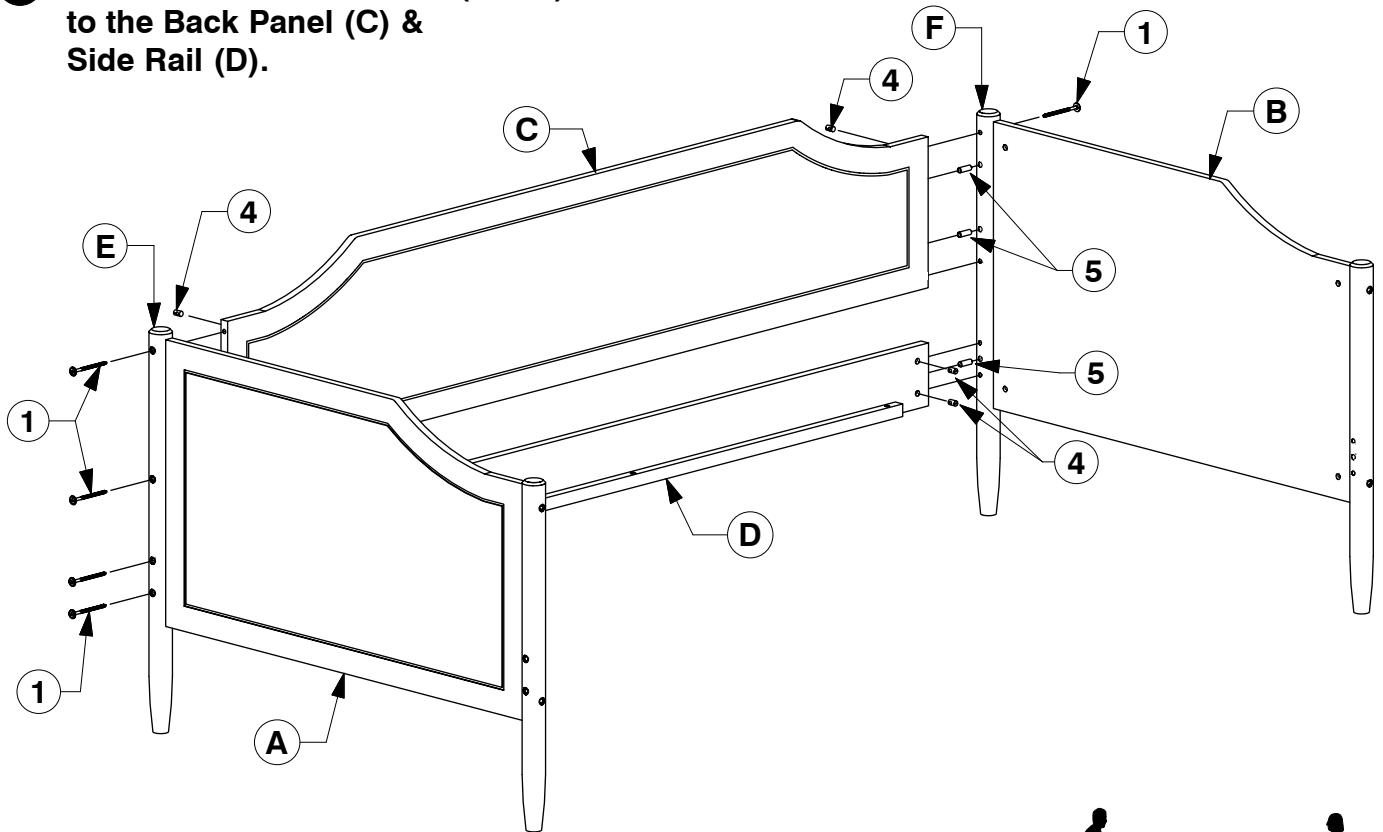


0016-1 Daybed

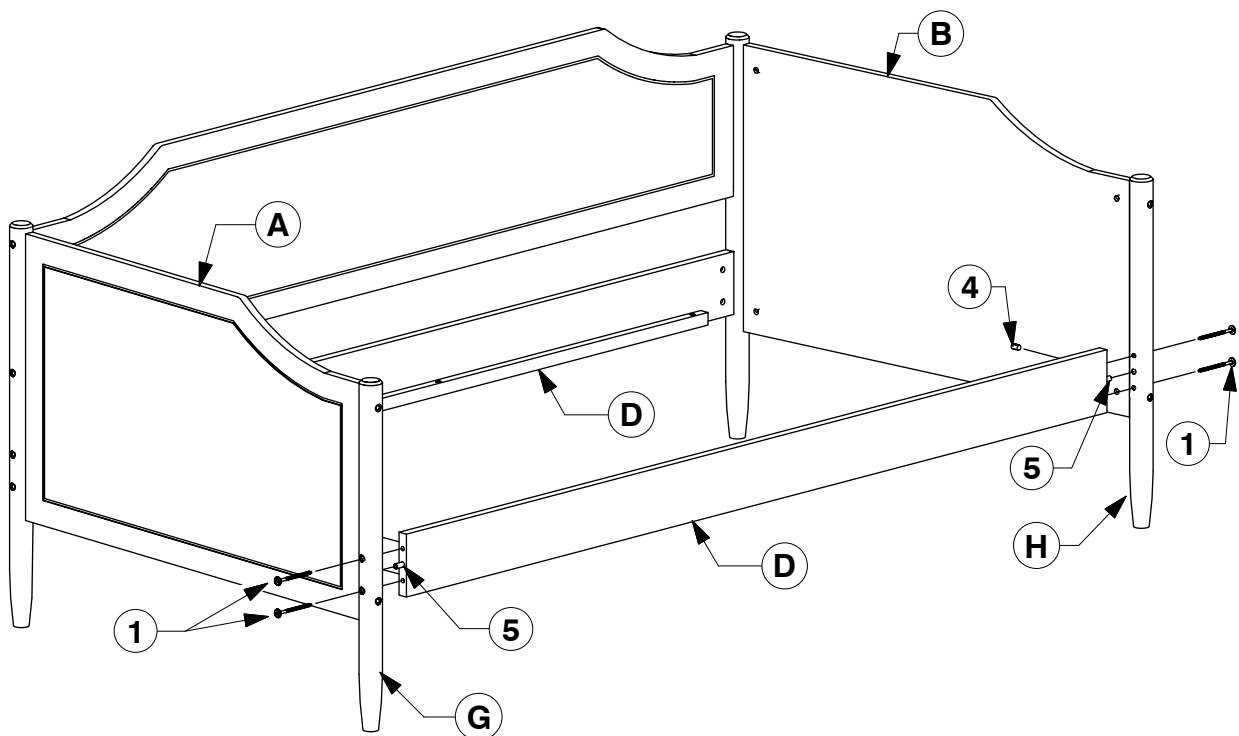
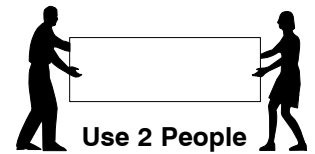
Assembly Instructions

WII-0120

- 6** Assemble the Side Panel (A & B) to the Back Panel (C) & Side Rail (D).



- 7** Assemble the Side Rail (D) to the Front Post (G & H).

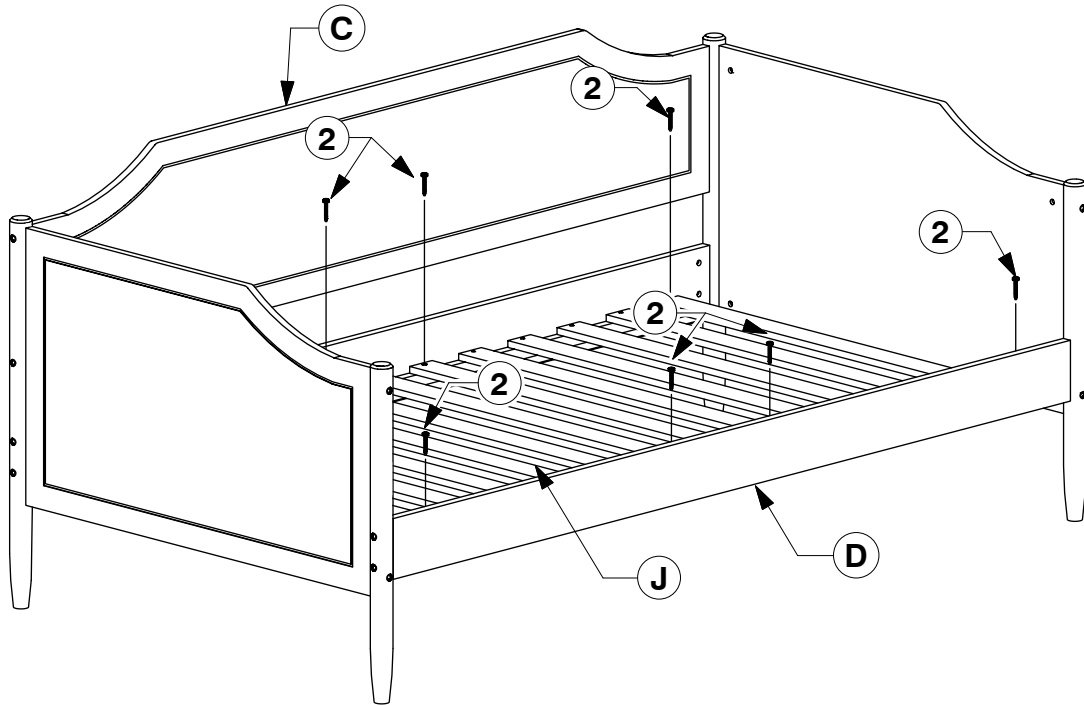


0016-1 Daybed

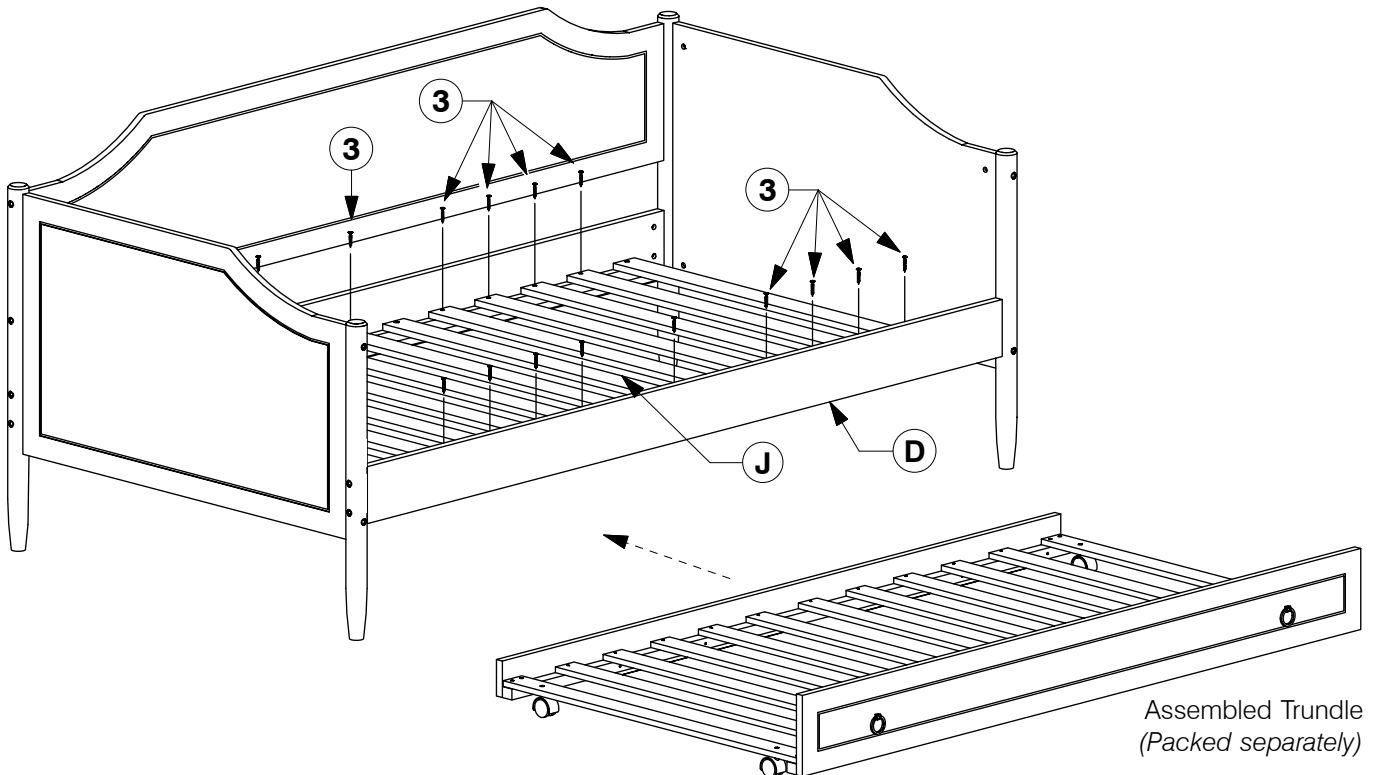
Assembly Instructions

WII-0120

- 8** Bolt the Set of Slats (J) between the Side Rail (D).



- 9** Screw the Set of Slats (J) between the Side Rail (D). Finally, fit the assembled Trundle.

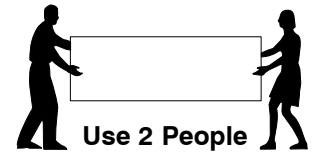
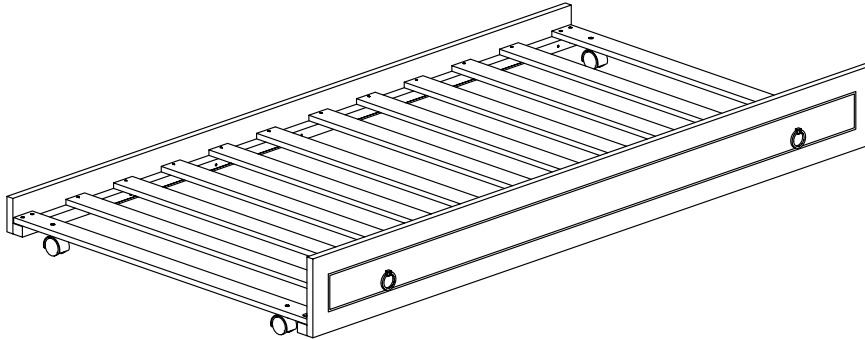


0016-1 Daybed Trundle

Assembly Instructions

WII-0120

1 Assembled View

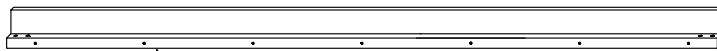


Note: Do not assemble using power tools. This can cause the bolts to be overtightened

2 Parts List



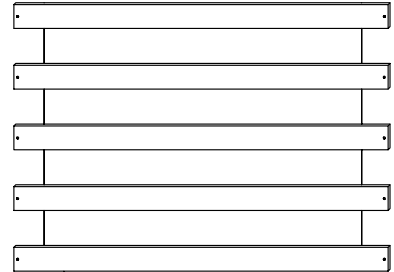
A Trundle Front Panel x 1



B Trundle Rear Panel x 1



C Trundle Support Rail x 2

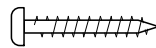


D Set of Slats x 2

3 Hardware List



1 M6 x 40mm JCB
x 8



2 Wood Screw
(M4 x 32mm)
x 20



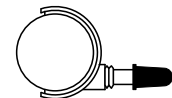
3 Wood Screw
(M4 x 22mm)
x 2



4 Allen Key
x 1



5 Handle
x 2



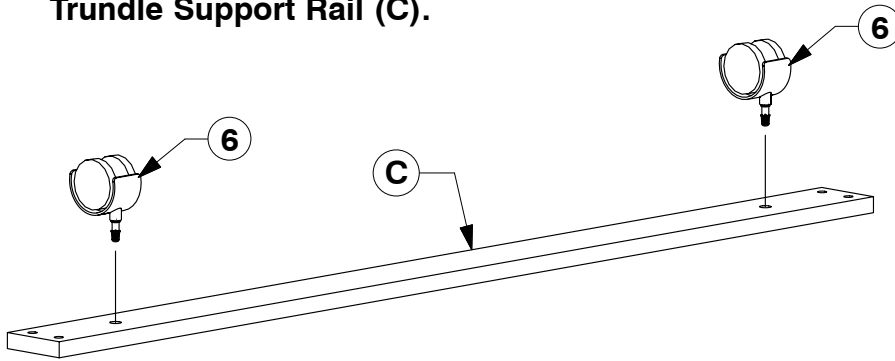
6 Wheels
x 4

0016-1 Daybed Trundle

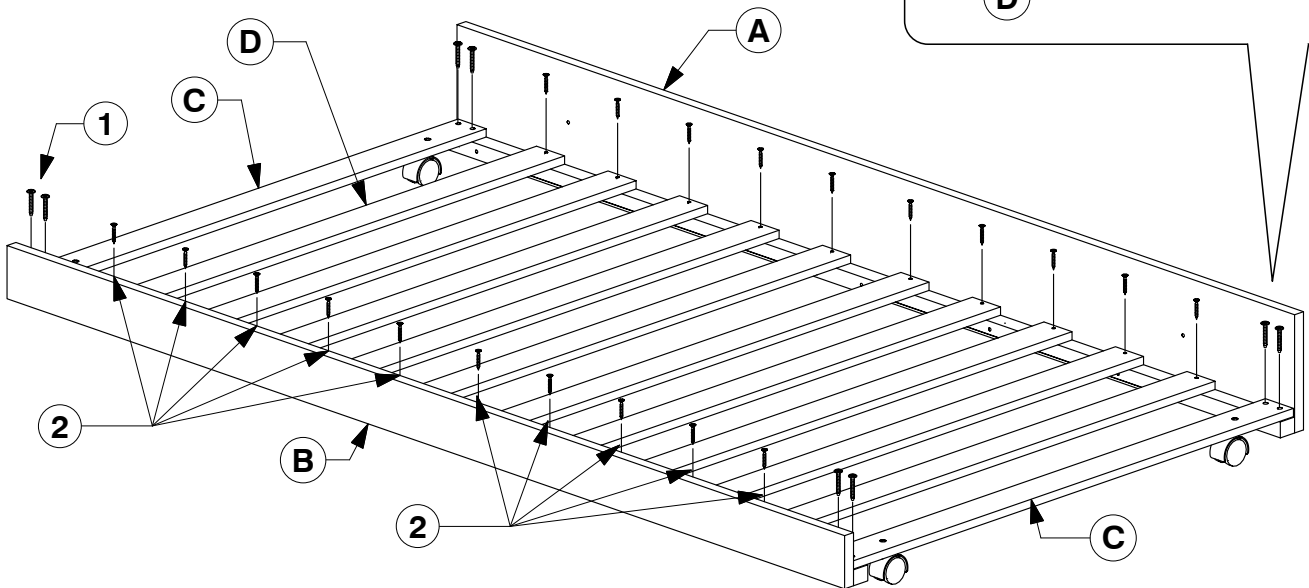
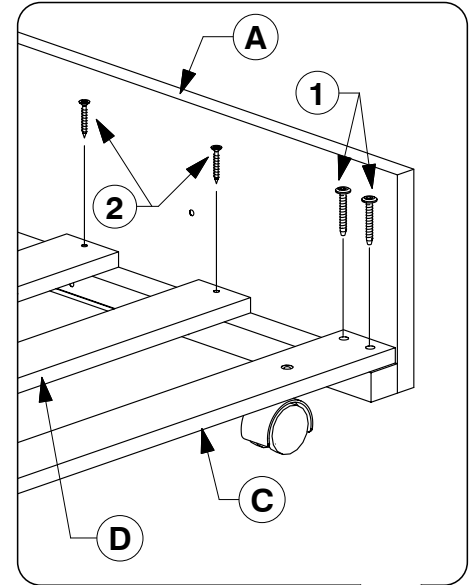
Assembly Instructions

WII-0120

- 4** Fit the Wheels (6) to the Trundle Support Rail (C).



- 5** Assemble the Set of Slats (D) & Trundle Support Rail (C) to the Trundle Front Panel (A) & Trundle Rear Panel (B).



- 6** Fit the Handle (5) to the Trundle Front Panel (A).

