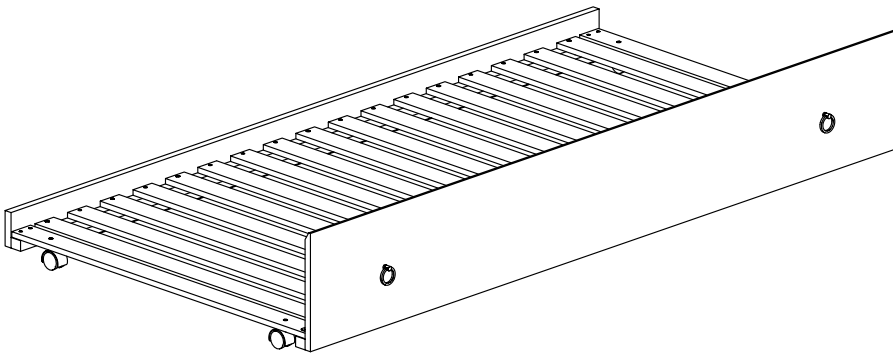


0010 Daybed Trundle

Assembly Instructions

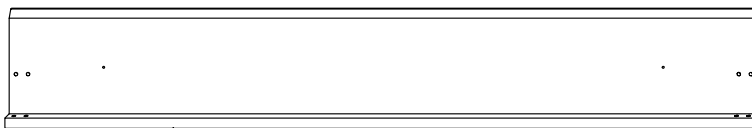
MG-0719

1 Assembled View

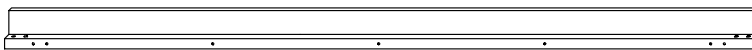


Note: Do not assemble using power tools. This can cause the bolts to be overtightened

2 Parts List



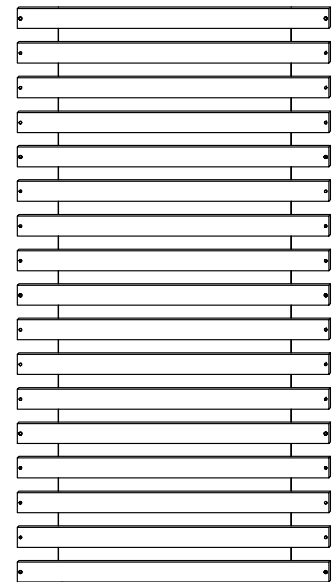
A Trundle Front Panel x 1



B Trundle Rear Panel x 1



C Trundle Support Rail x 2



D Set of Slats x 1

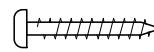
3 Hardware List



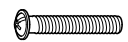
1 M6 x 40mm JCB
x 18



2 M6 x 15mm JCB
x 4



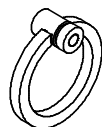
3 Wood Screw
(M4 x 32mm)
x 24



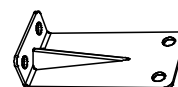
4 Wood Screw
(M4 x 22mm)
x 2



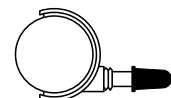
5 Allen Key
x 1



6 Handle
x 2



7 Metal
Bracket x 2



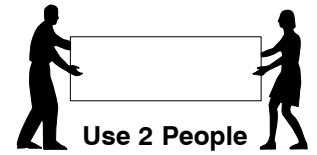
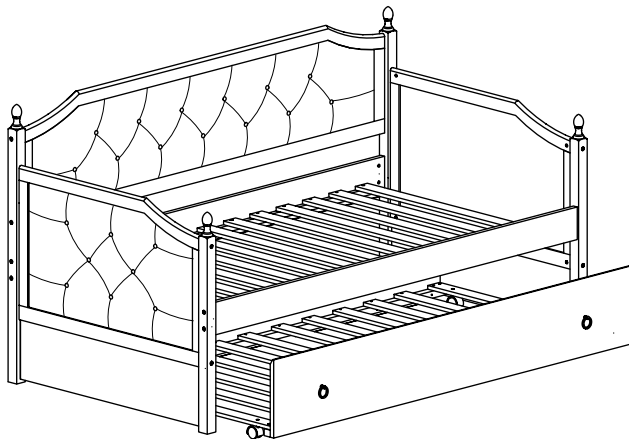
8 Wheels
x 4

0014 Daybed

Assembly Instructions

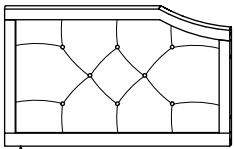
WI-1118

1 Assembled View

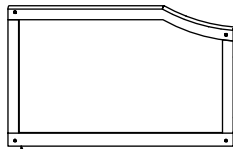


Note: Do not assemble using power tools. This can cause the bolts to be overtightened

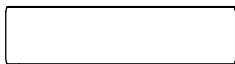
2 Parts in this Box



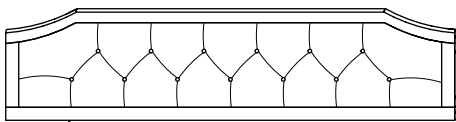
A Side Panel (Left Hand) x 1



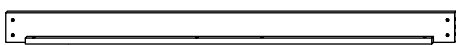
B Side Panel (Right Hand) x 1



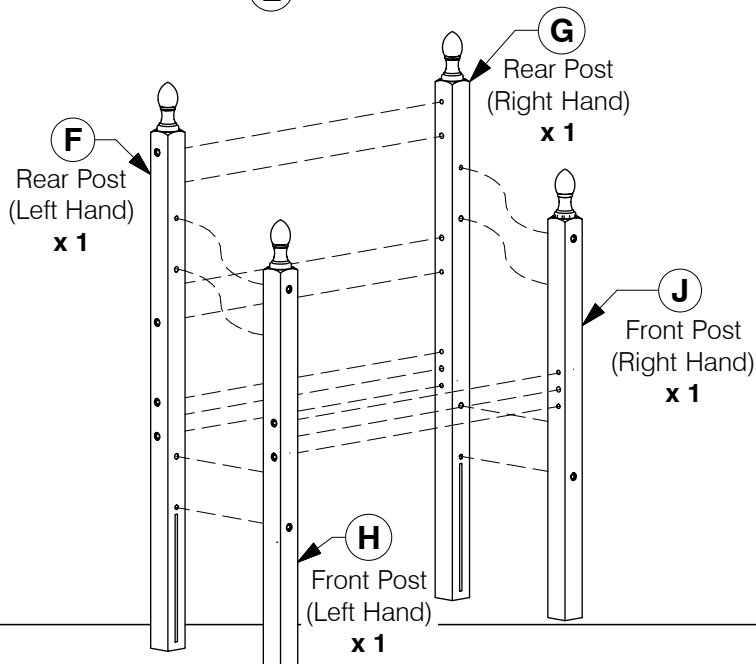
C Bottom Panel x 2



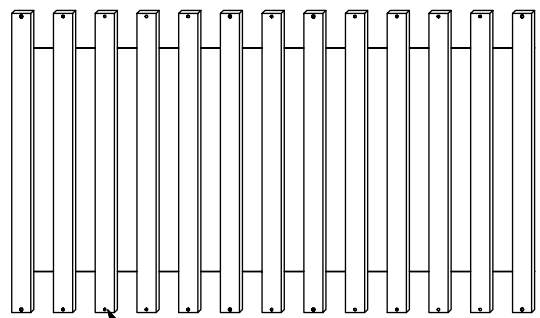
D Back Panel x 1



E Side Rail x 2



Slats are packed in separately in Box B



K Set of Slats x 1

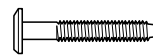
3 Hardware in this Box



1 M6 x 90mm JCB x 20



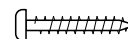
4 Barrel Nut x 20



2 M6 x 40mm JCB x 8



5 Wood Dowel (10 x 40mm) x 16



3 Wood Screw (M4 x 32mm) x 18



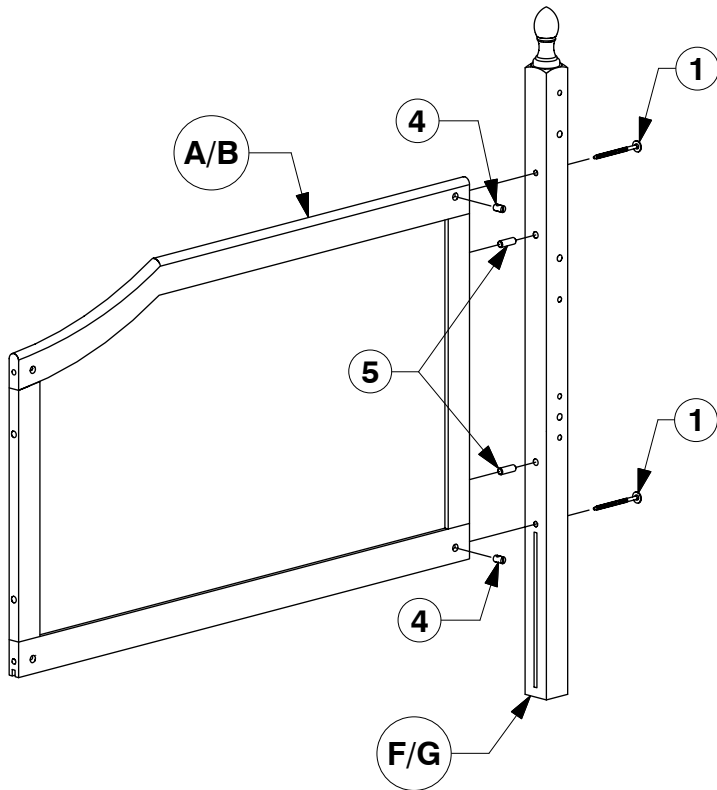
6 Allen Key x 1

0014 Daybed

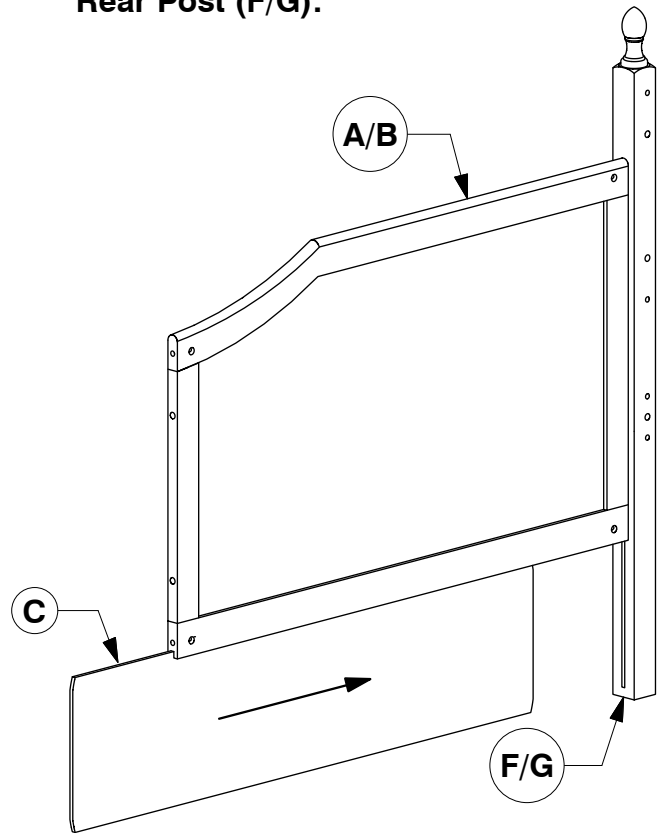
Assembly Instructions

WI-1118

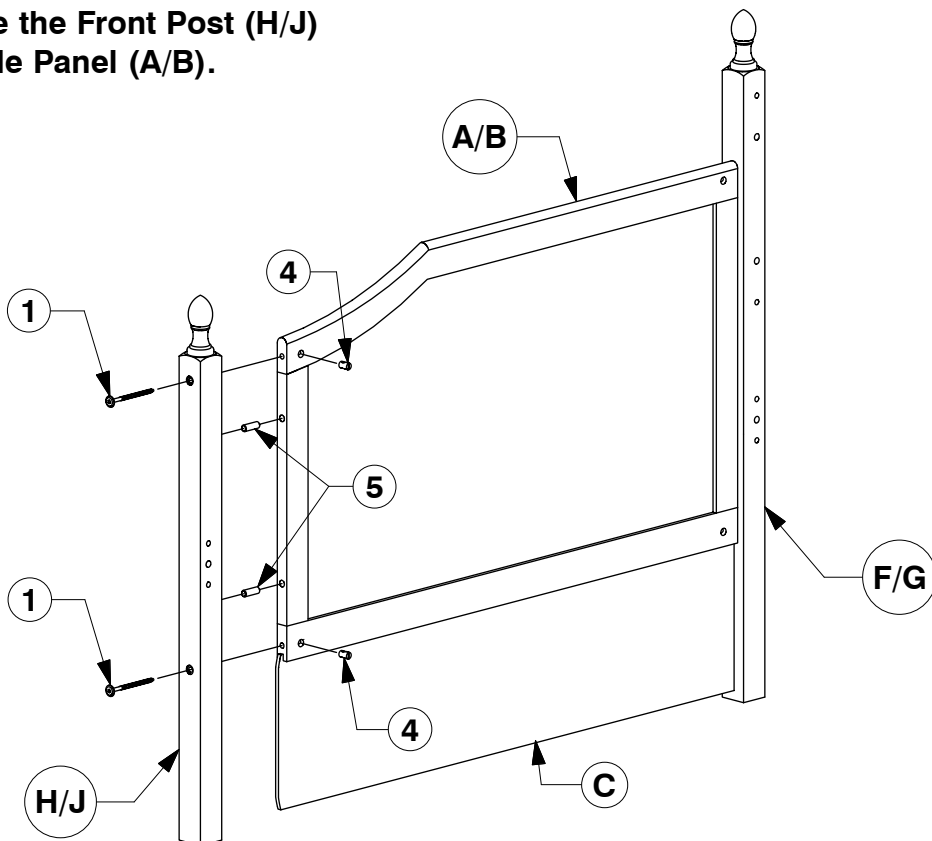
- 4** Assemble the Rear Post (F/G) to the Side Panel (A/B).



- 5** Slide the Bottom Panel (C) into the groove on the Side Panel (A/B) & Rear Post (F/G).



- 6** Assemble the Front Post (H/J) to the Side Panel (A/B).

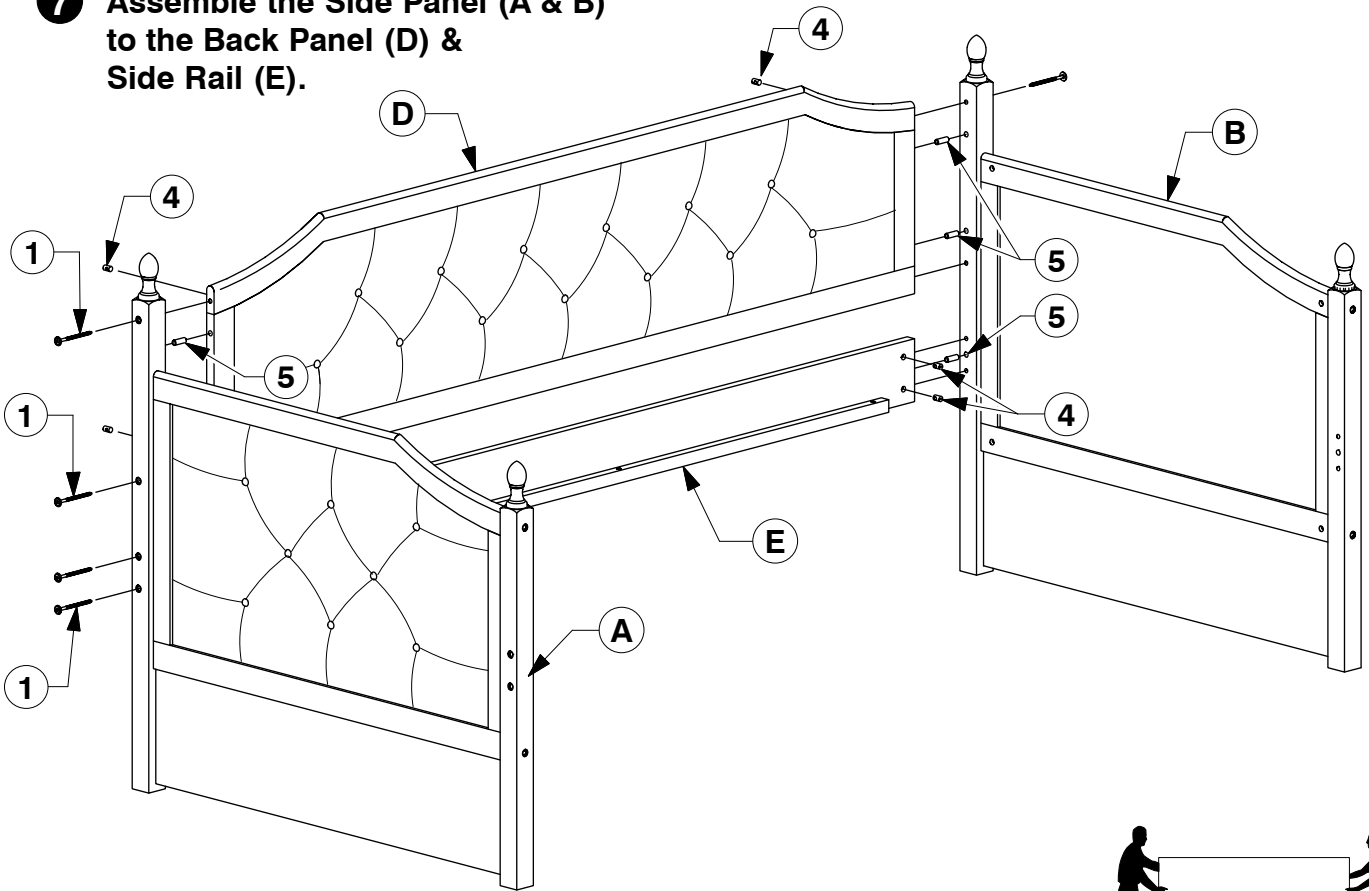


0014 Daybed

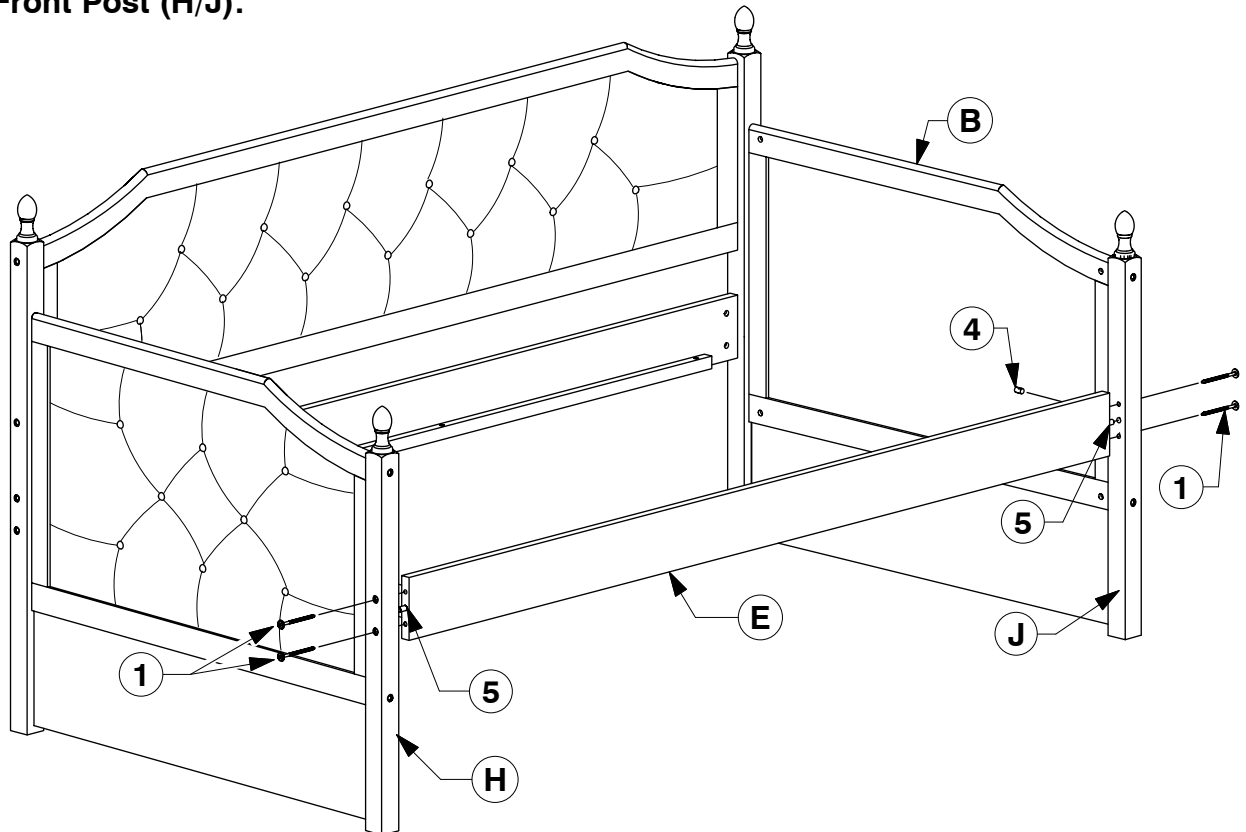
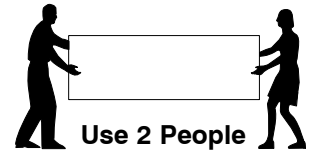
Assembly Instructions

WII-1118

- 7** Assemble the Side Panel (A & B) to the Back Panel (D) & Side Rail (E).



- 8** Assemble the Side Rail (E) to the Front Post (H/J).

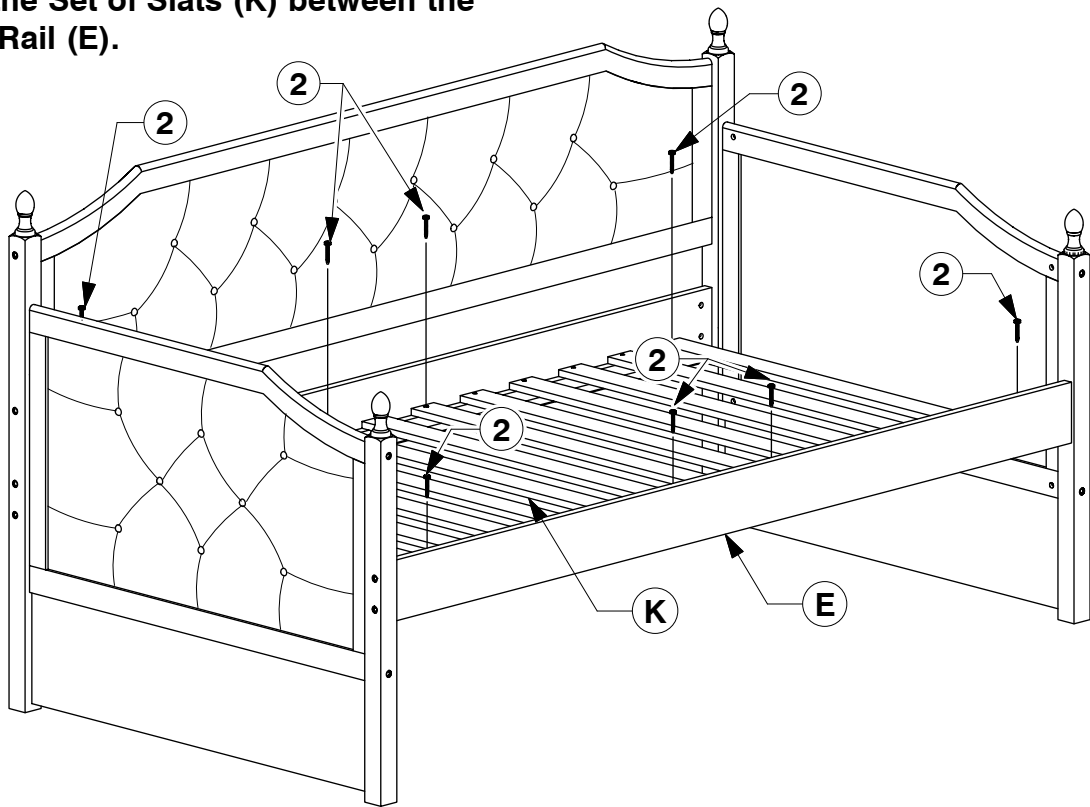


0014 Daybed

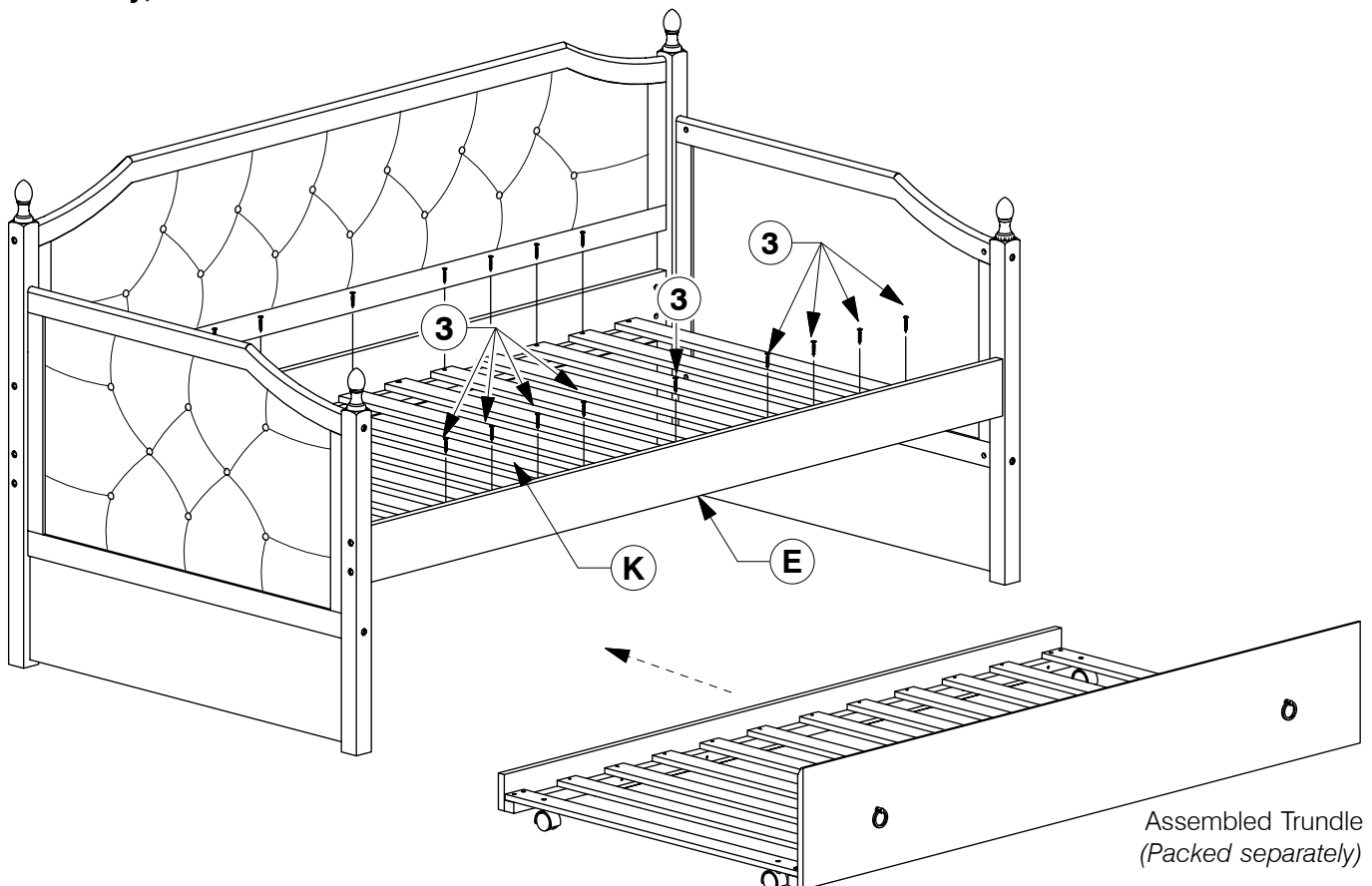
Assembly Instructions

WII-1118

- 9** Bolt the Set of Slats (K) between the Side Rail (E).



- 10** Screw the Set of Slats (K) between the Side Rail (E).
Finally, fit the assembled Trundle.



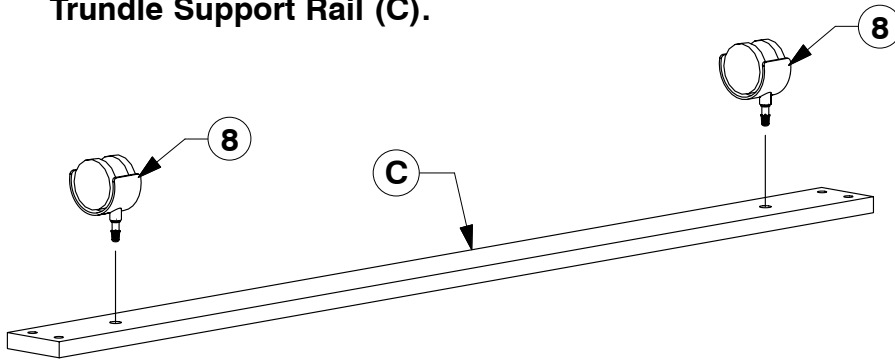
Assembled Trundle
(Packed separately)

0010 Daybed Trundle

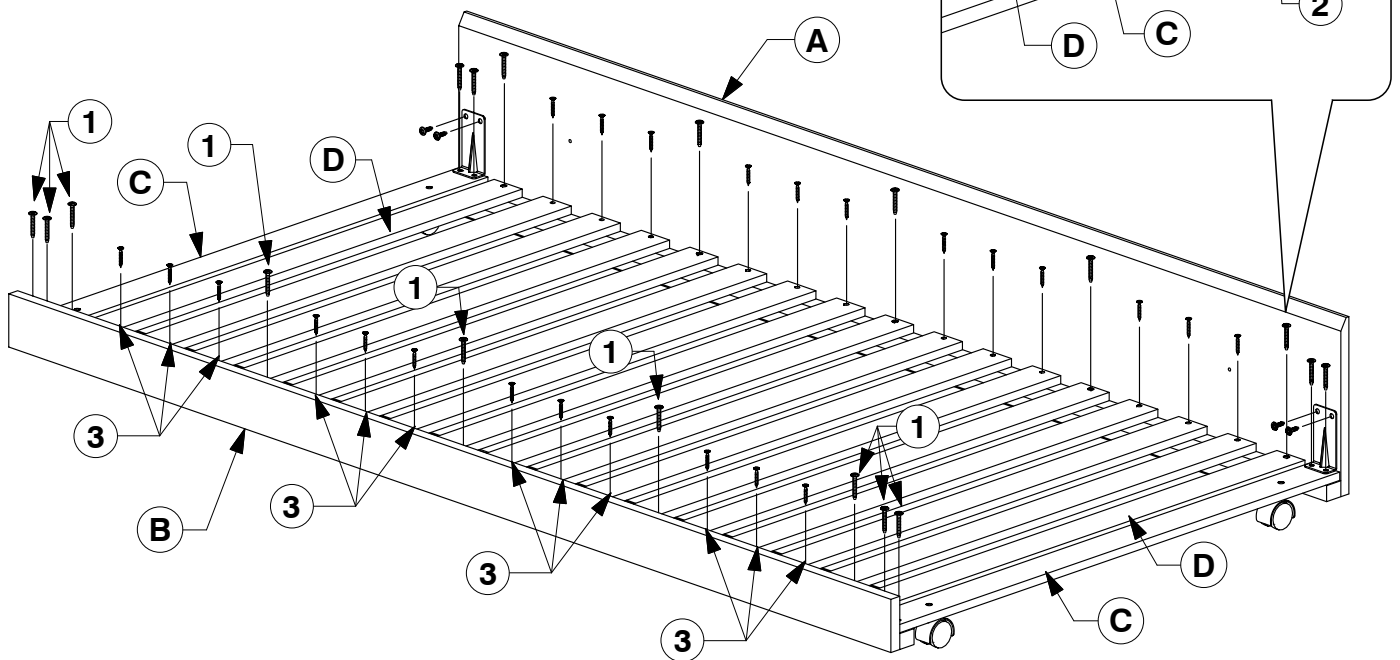
Assembly Instructions

MG-0719

- 4** Fit the Wheels (8) to the Trundle Support Rail (C).



- 5** Assemble the Set of Slats (D) & Trundle Support Rail (C) to the Trundle Front Panel (A) & Trundle Rear Panel (B).



- 6** Fit the Handle (6) to the Trundle Front Panel (A).

