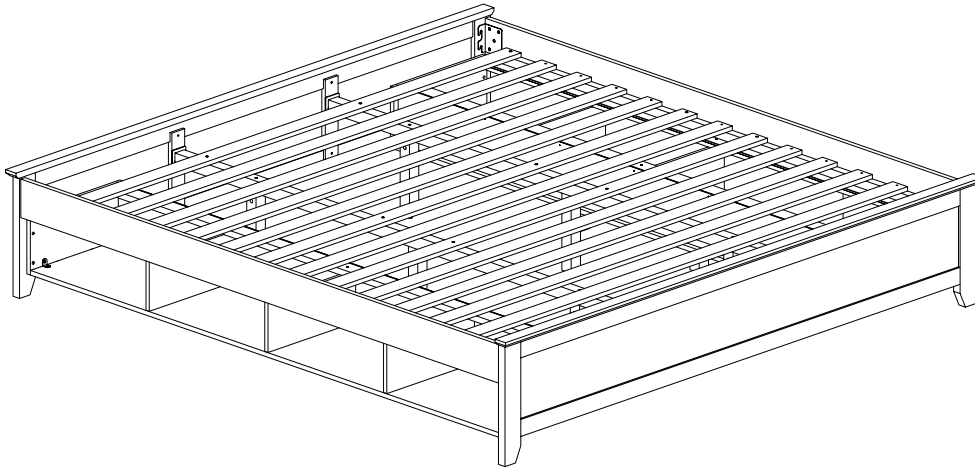


0013 King Bed

Assembly Instructions

W11-0919

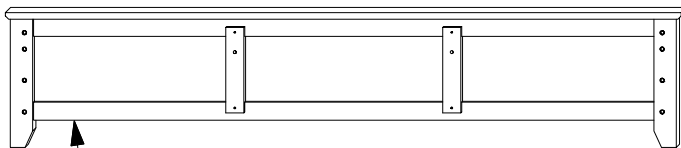
1 Assembled View



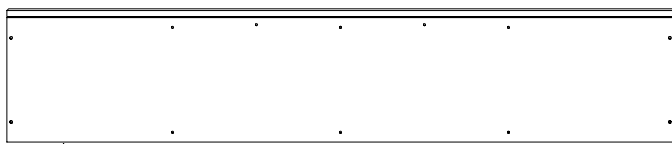
Note: Do not assemble using power tools. This can cause the bolts to be overtightened

2 Parts List

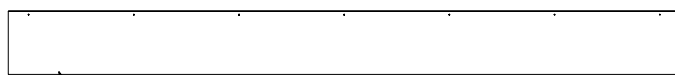
Parts in Box A:



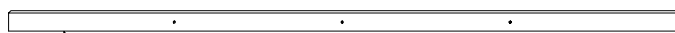
A Head / Footboard x 2



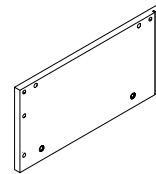
B Storage Bottom Panel x 2



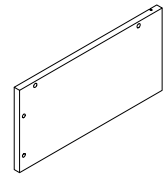
C Storage Back Panel x 2



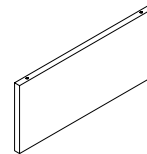
D Storage Support Rail x 4



E Storage Side Panel (Left Hand) x 2



F Storage Side Panel (Right Hand) x 2

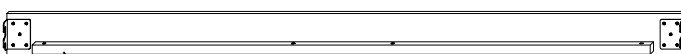


G Storage Divider x 6

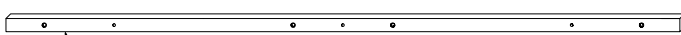


H Storage Foot x 4

Parts in Box B:



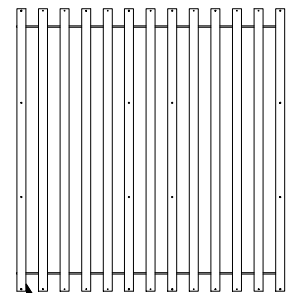
J Side Rail x 2



K Long Support x 2



L Support Leg x 6



M Set of Bed Slats x 1

0013 King Bed

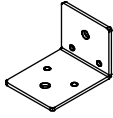
Assembly Instructions

W11-0919

3 Hardware List



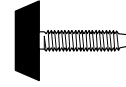
1 M4 Allen Key
x 1



2 Center Rail
Bracket x 4



3 'L' Bracket
x 8



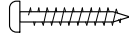
4 Adjustable
Foot x 6



5 Barrel
Nut x 6



6 Wood Screw
(M4 x 16mm) x 14



7 Wood Screw
(M4 x 32mm) x 18



8 Wood Dowel
(M8 x 30mm) x 8



9 Spring
Washer x 8



10 Flat Washer
x 8



11 CSK Cap Wood Screw
(M6 x 60mm) x 24



12 M6 x 15mm JCB
x 24



13 M6 x 20mm JCB
x 8



14 M6 x 30mm JCB
x 8



15 M6 x 40mm JCB
x 20

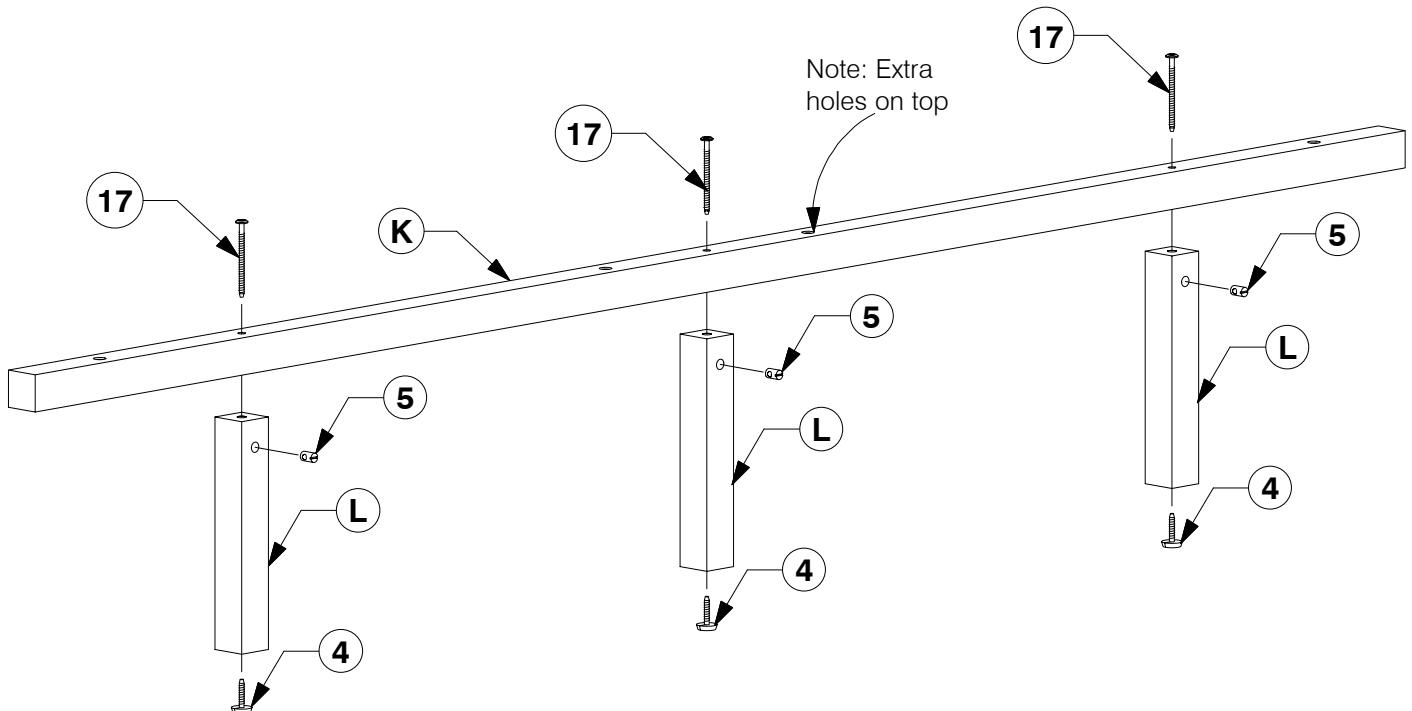


16 M6 x 60mm JCB
x 8



17 M6 x 90mm JCB
x 6

4 Assemble the Support Leg (L) to the Long Support (K).

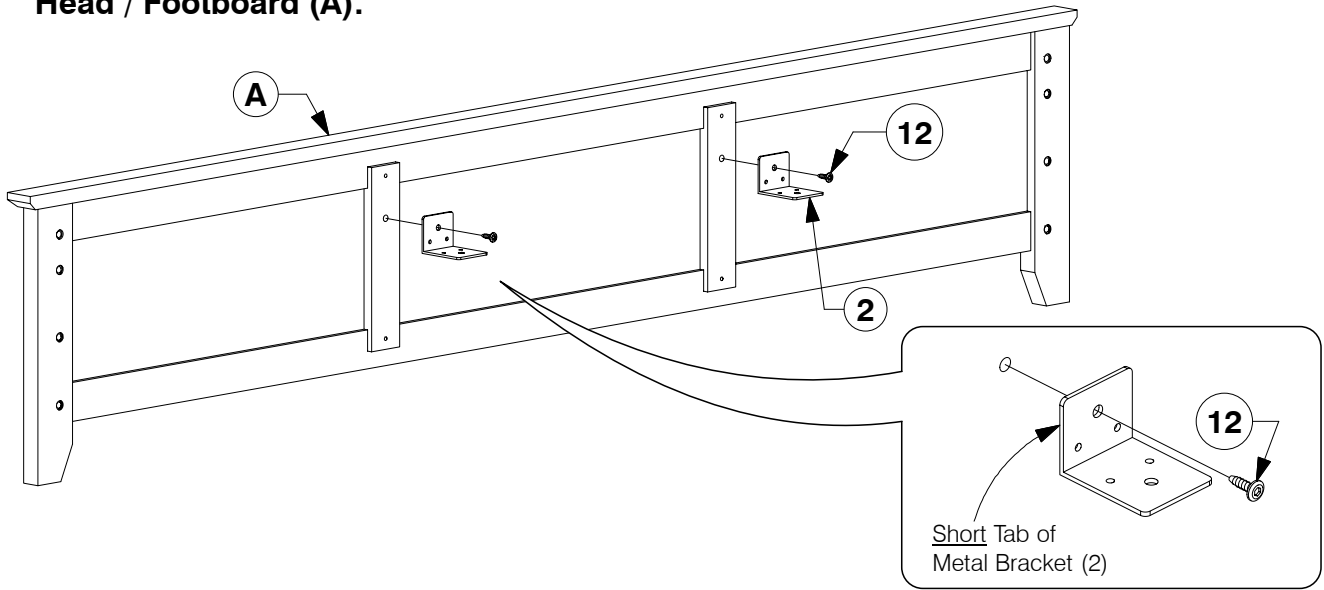


0013 King Bed

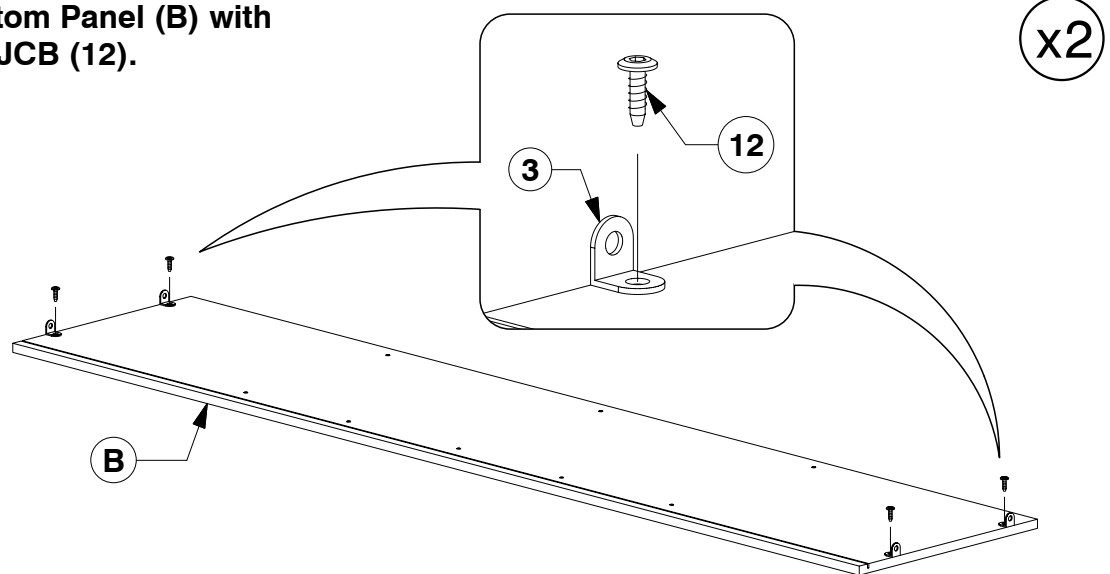
Assembly Instructions

WII-0919

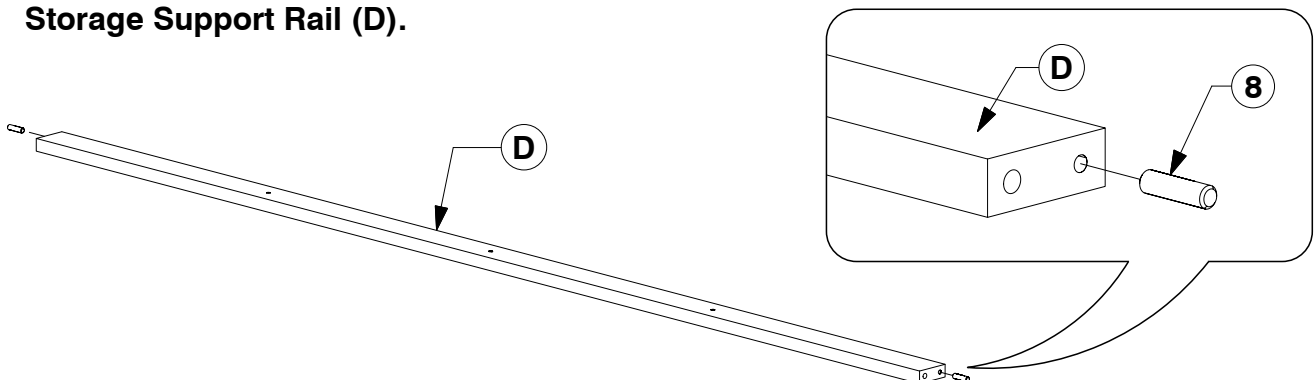
- 5** Fit the Center Rail Bracket to the Head / Footboard (A).



- 6** Fit the 'L' Bracket (3) to the End of the Storage Bottom Panel (B) with M6 x 15mm JCB (12).



- 7** Tap the Wood Dowel to the end of the Storage Support Rail (D).



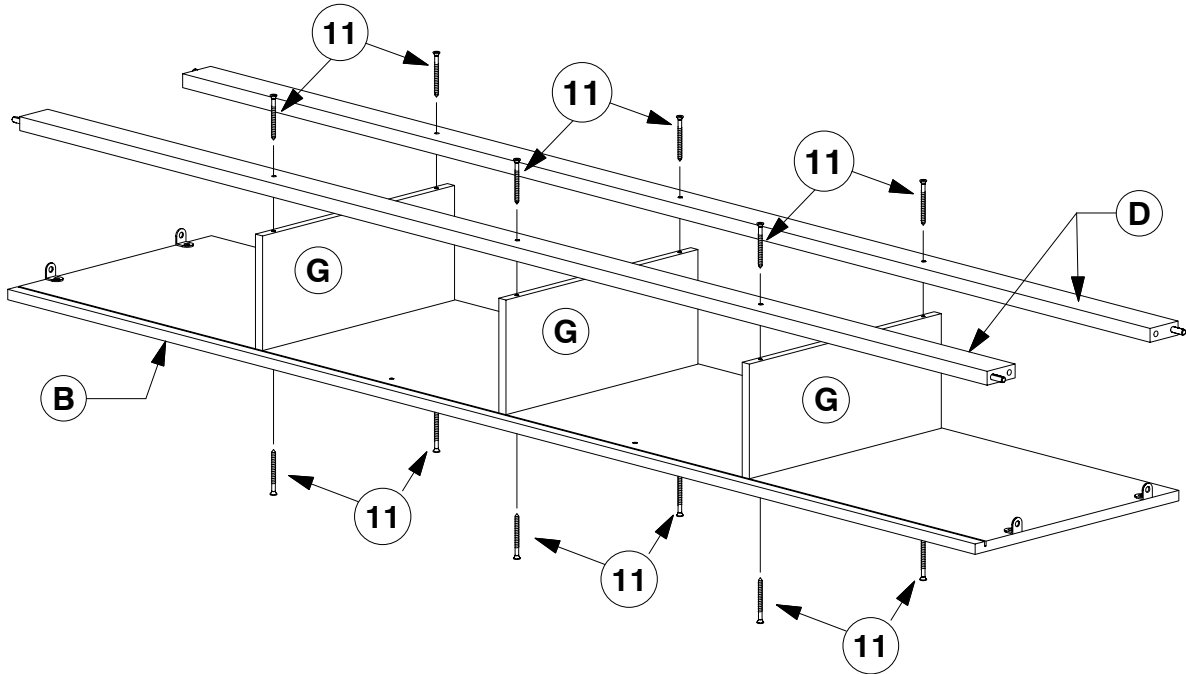
0013 King Bed

Assembly Instructions

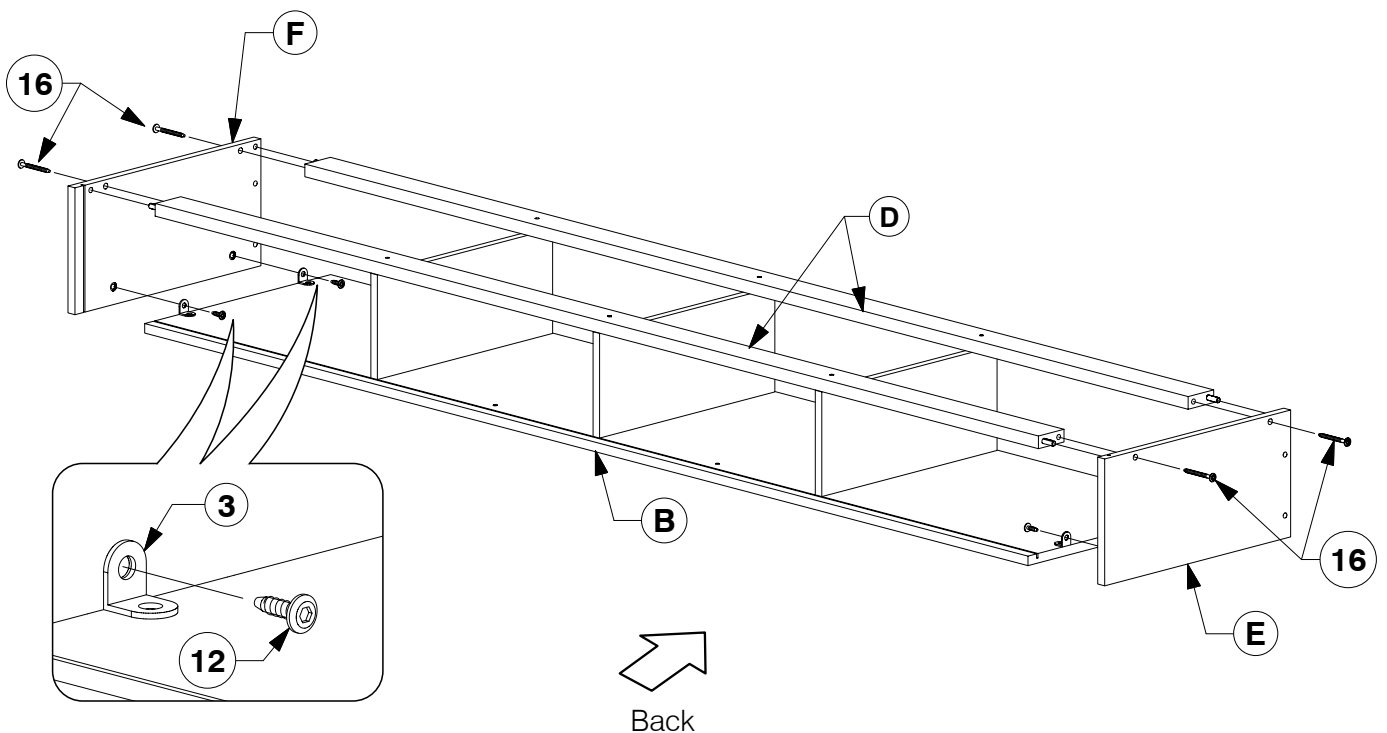
W11-0919

- 8** Assemble the Storage Bottom Panel (B) & Support Rail (D) to the Storage Divider (G).

x2



- 9** Assemble the Storage Side Panel (E & F) to the Storage Bottom Panel & Support Rail (B & D).



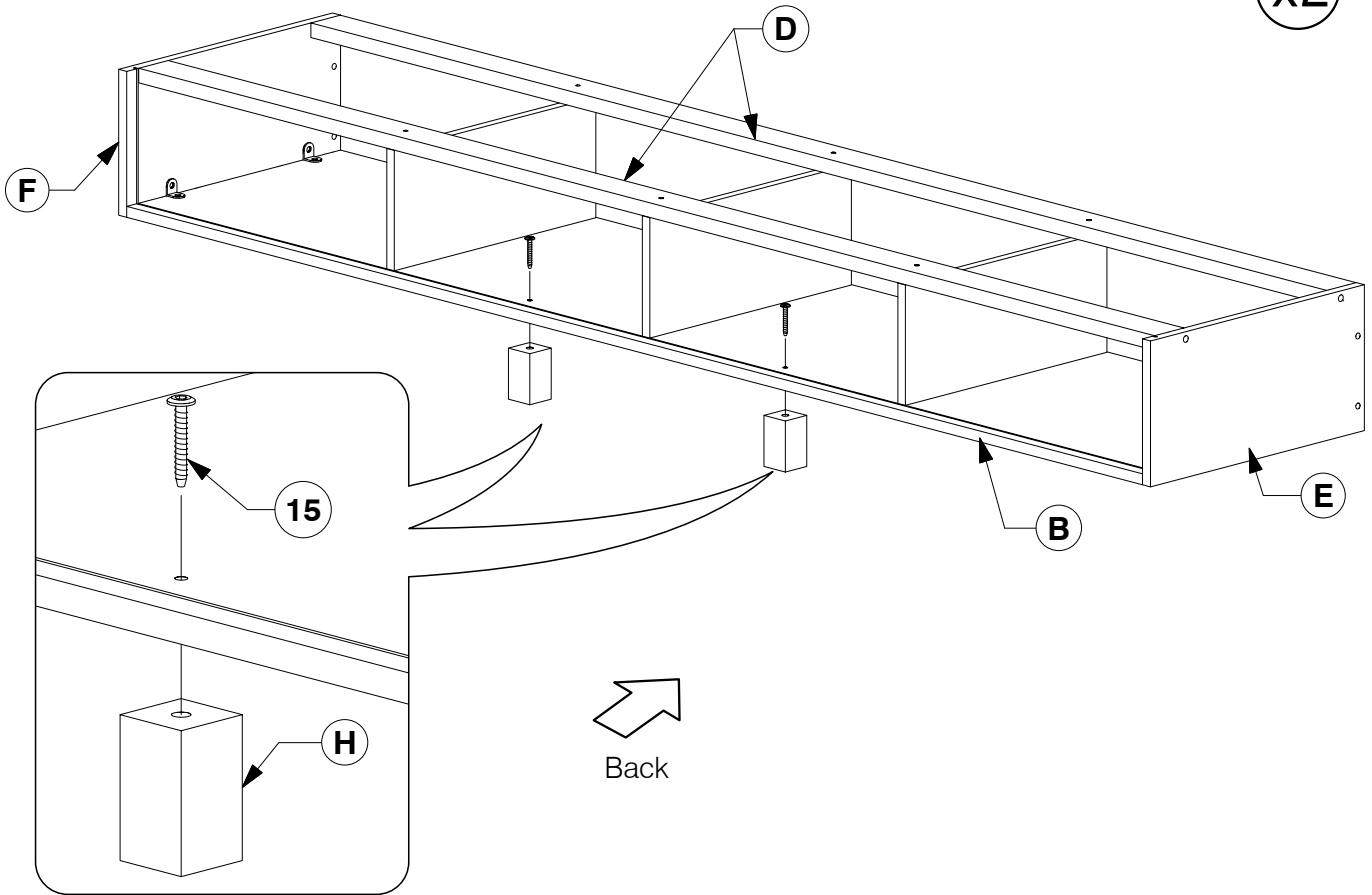
0013 King Bed

Assembly Instructions

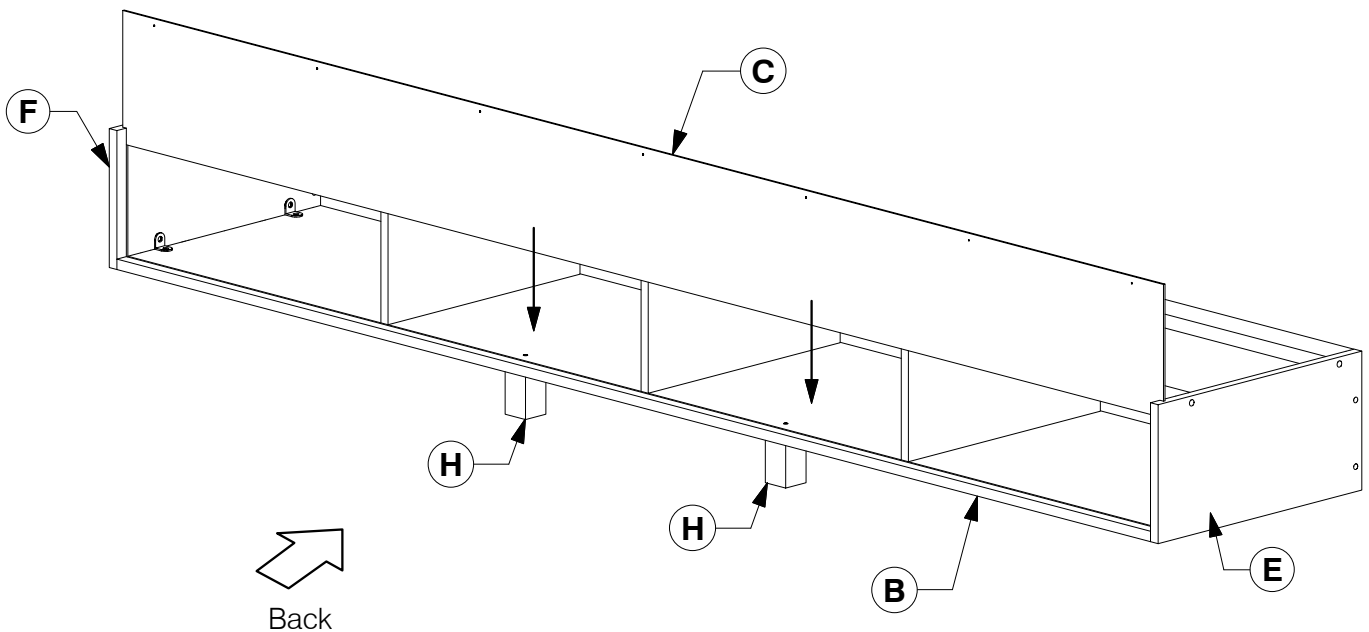
W11-0919

- 10** Fit the Storage Foot (H) to the Storage Bottom Panel (B).

x2



- 11** Slide the Storage Back Panel (C) into the groove.

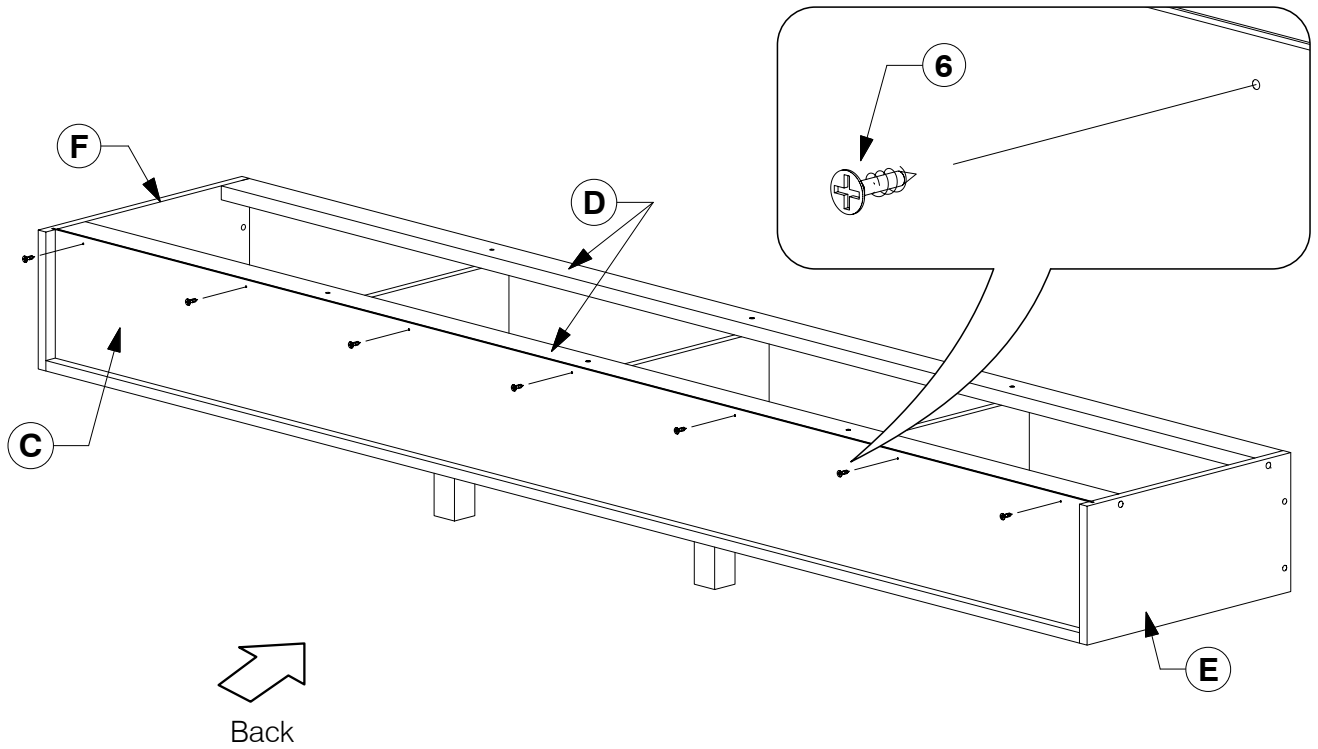


0013 King Bed

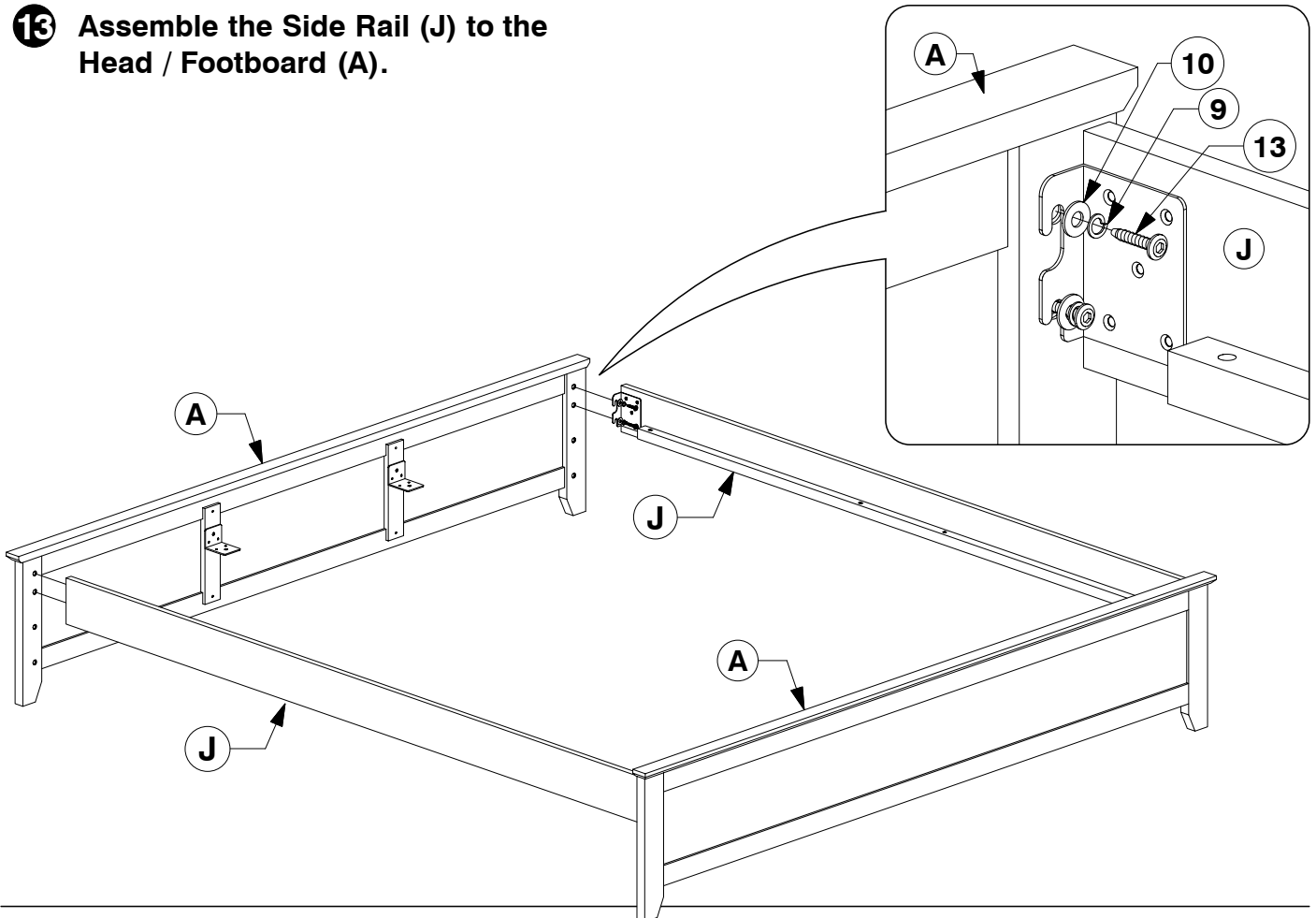
Assembly Instructions

WII-0919

12 Fit the Storage Back Panel (C) in place.



13 Assemble the Side Rail (J) to the Head / Footboard (A).

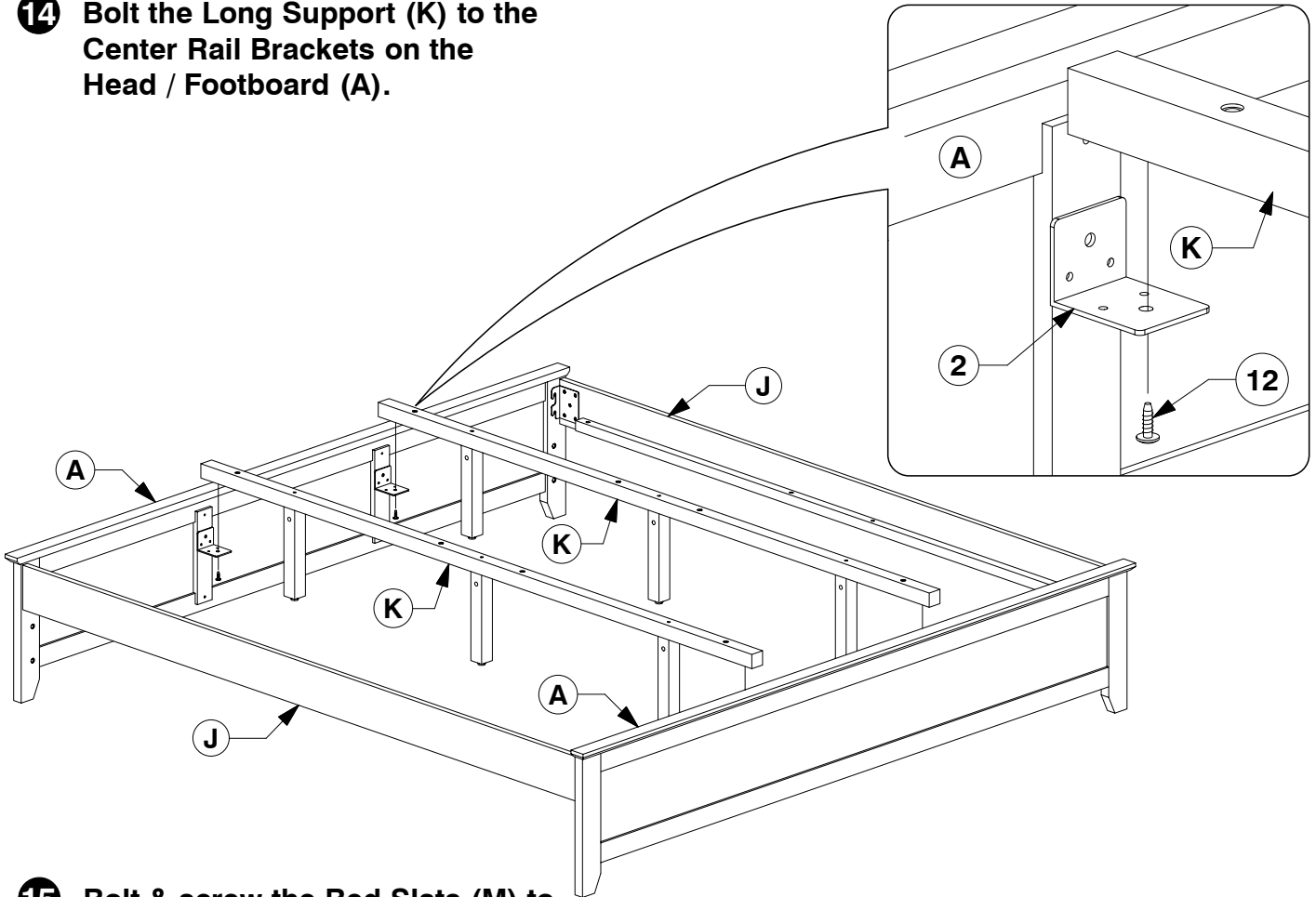


0013 King Bed

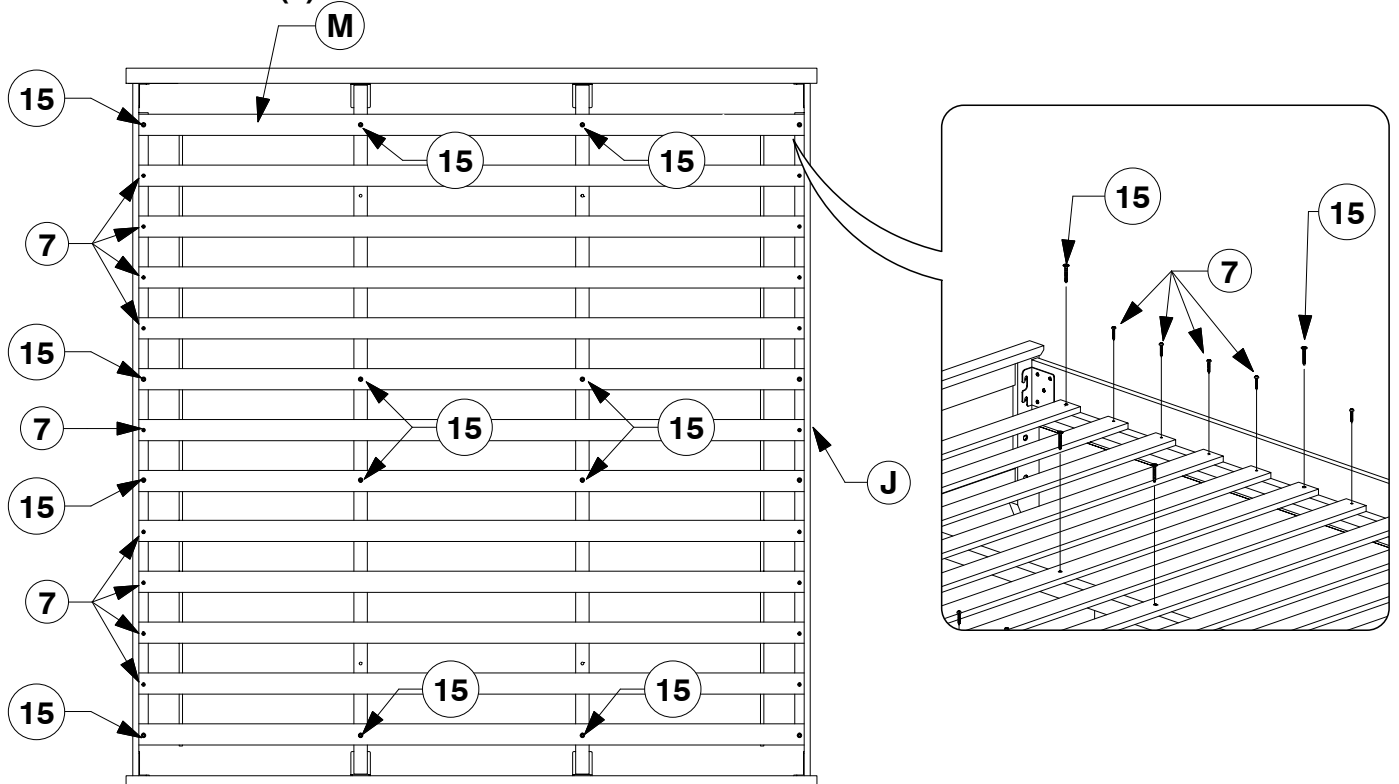
Assembly Instructions

WII-0919

- 14** Bolt the Long Support (K) to the Center Rail Brackets on the Head / Footboard (A).



- 15** Bolt & screw the Bed Slats (M) to the Side Rail (J).

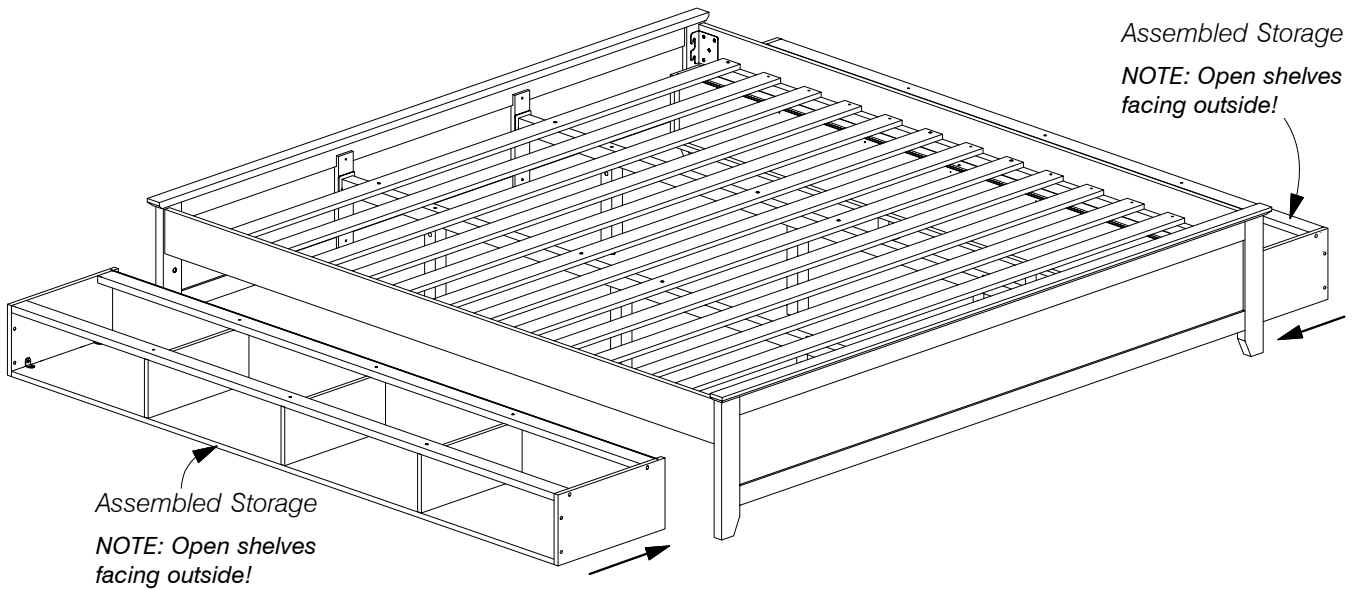


0013 King Bed

Assembly Instructions

W11-0919

16 Fit the Assembled Storage under the Bed Frame.



17 Bolt the Assembled Storage to the Bed Frame with M6 x 30mm JCB (14).

