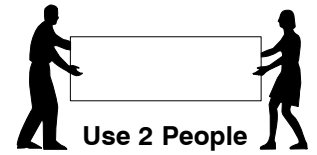
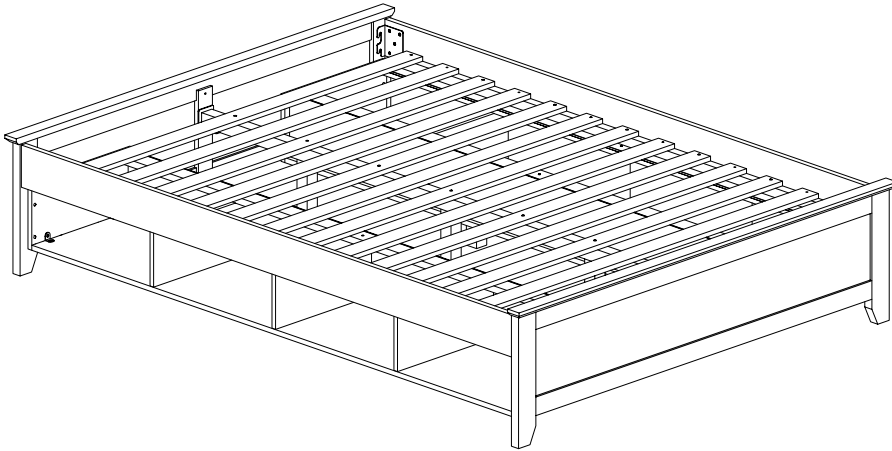


# 0013 Full Bed

## Assembly Instructions

W11-0919

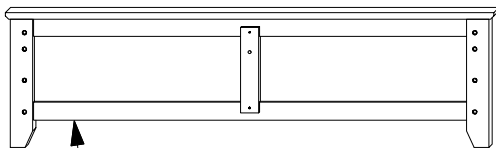
### 1 Assembled View



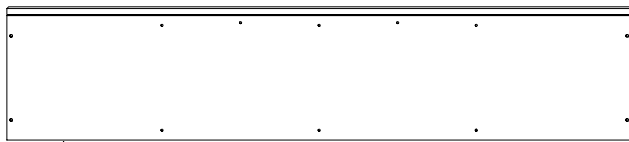
**Note:** Do not assemble using power tools. This can cause the bolts to be overtightened

### 2 Parts List

#### Parts in Box A:



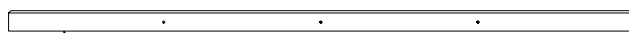
**A** Head / Footboard x 2



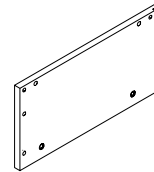
**B** Storage Bottom Panel x 2



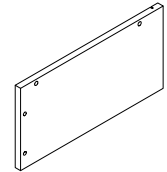
**C** Storage Back Panel x 2



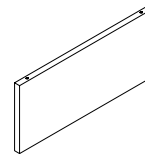
**D** Storage Support Rail x 4



**E** Storage Side Panel (Left Hand) x 2



**F** Storage Side Panel (Right Hand) x 2

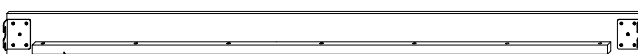


**G** Storage Divider x 6

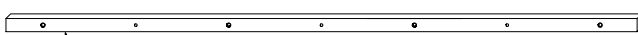


**H** Storage Foot x 4

#### Parts in Box B:



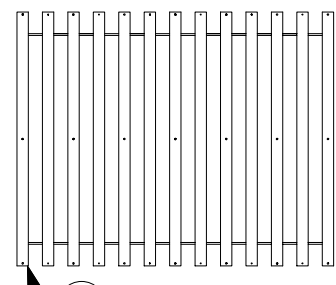
**J** Side Rail x 2



**K** Long Support x 1



**L** Support Leg x 3



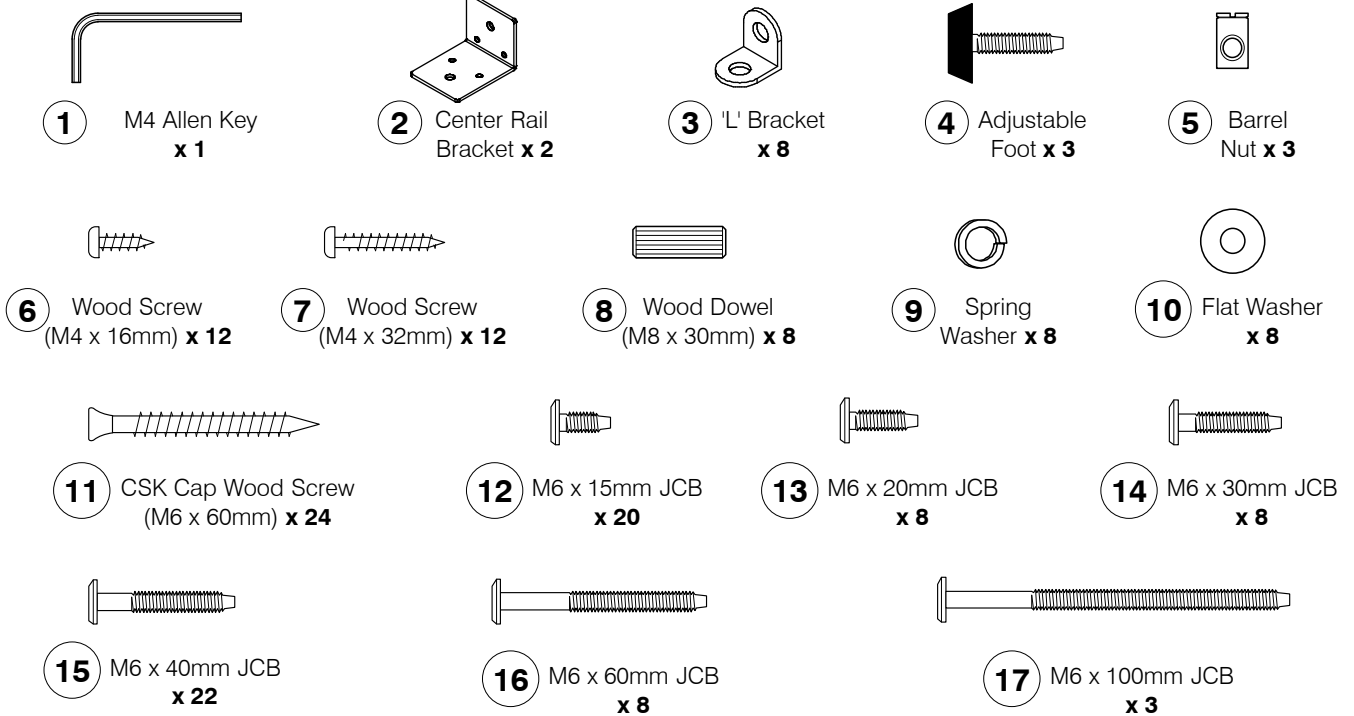
**M** Set of Bed Slats x 1

# 0013 Full Bed

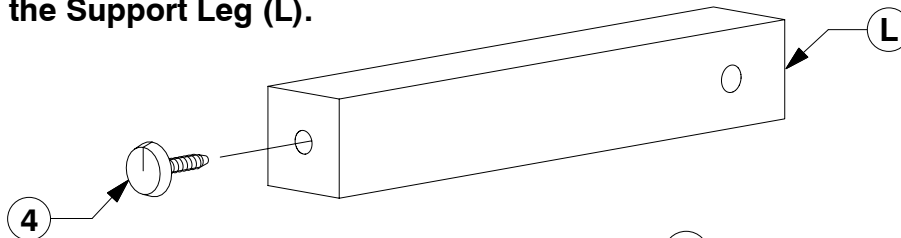
## Assembly Instructions

W11-0919

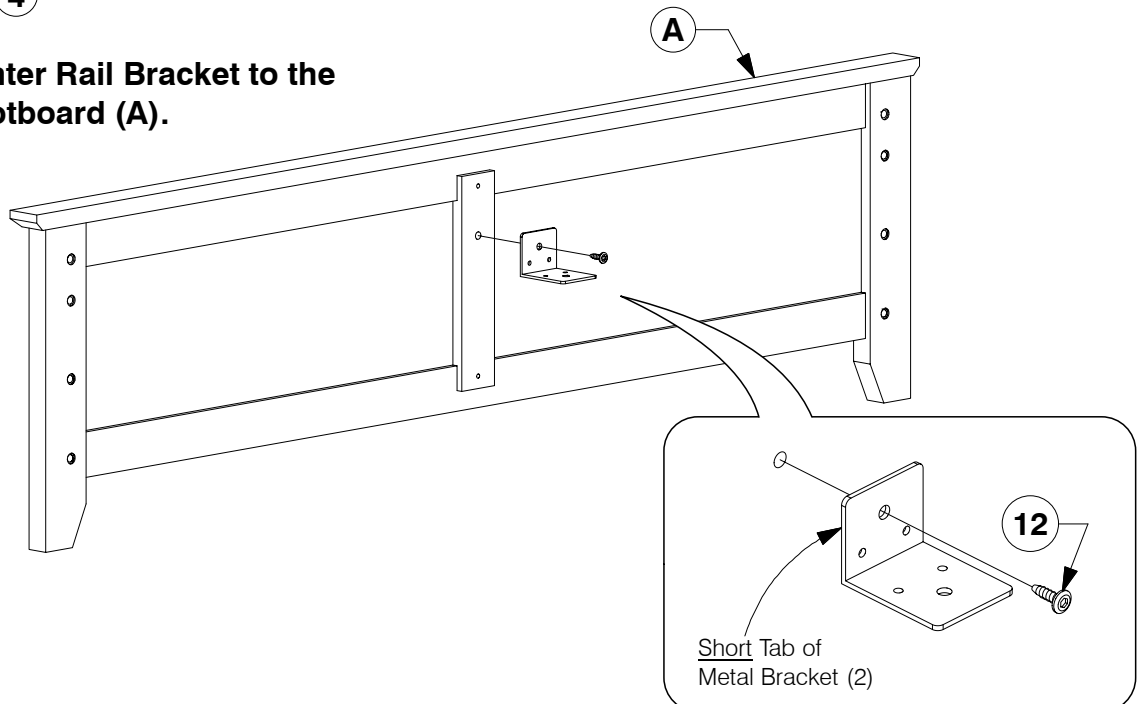
### 3 Hardware List



### 4 Fix the Adjustable foot to the bottom of the Support Leg (L).



### 5 Fit the Center Rail Bracket to the Head / Footboard (A).

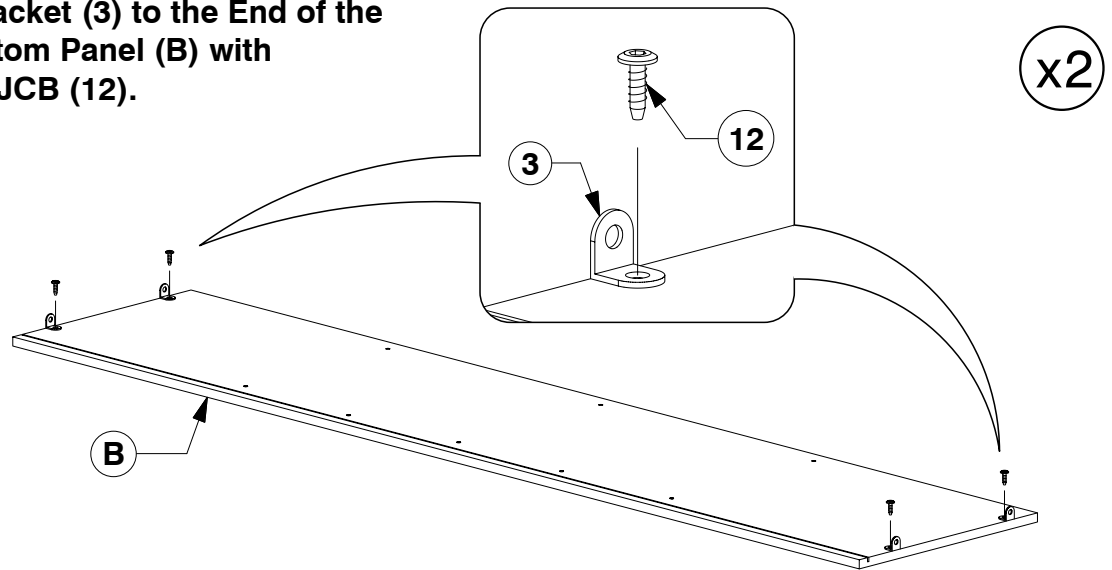


# 0013 Full Bed

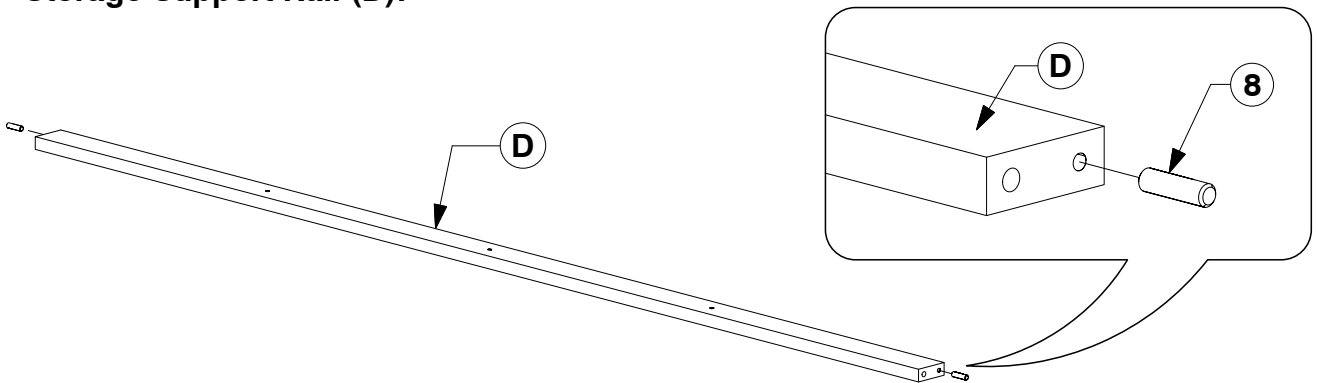
## Assembly Instructions

W11-0919

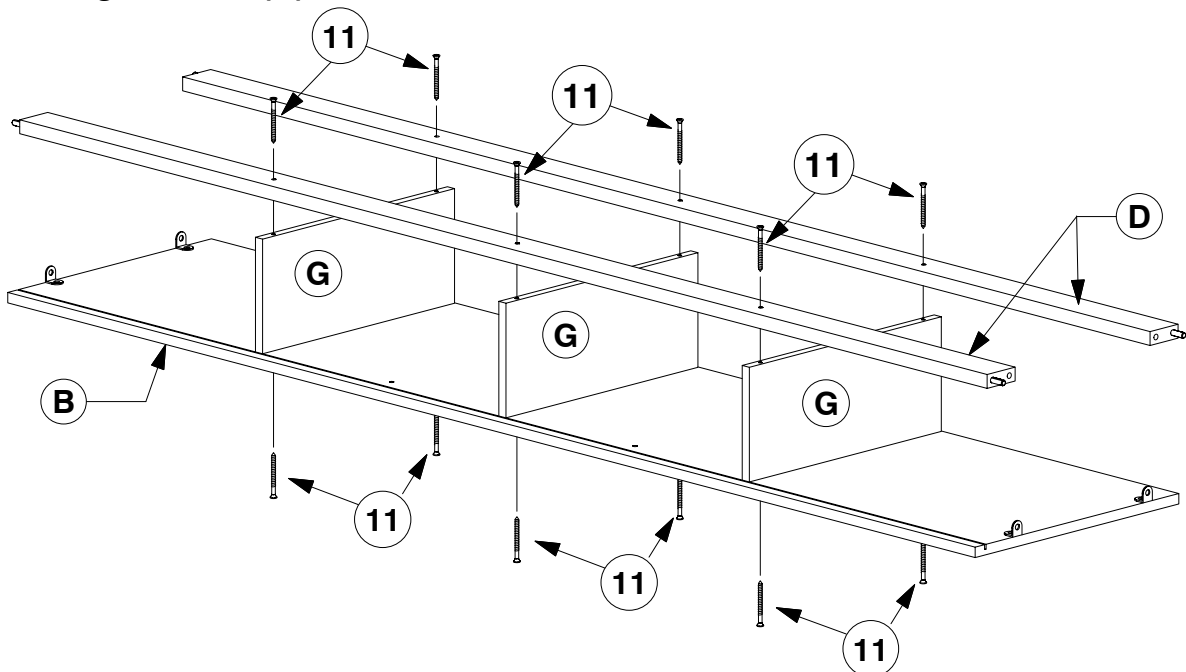
- 6** Fit the 'L' Bracket (3) to the End of the Storage Bottom Panel (B) with M6 x 15mm JCB (12).



- 7** Tap the Wood Dowel to the end of the Storage Support Rail (D).



- 8** Assemble the Storage Bottom Panel (B) & Support Rail (D) to the Storage Divider (G).



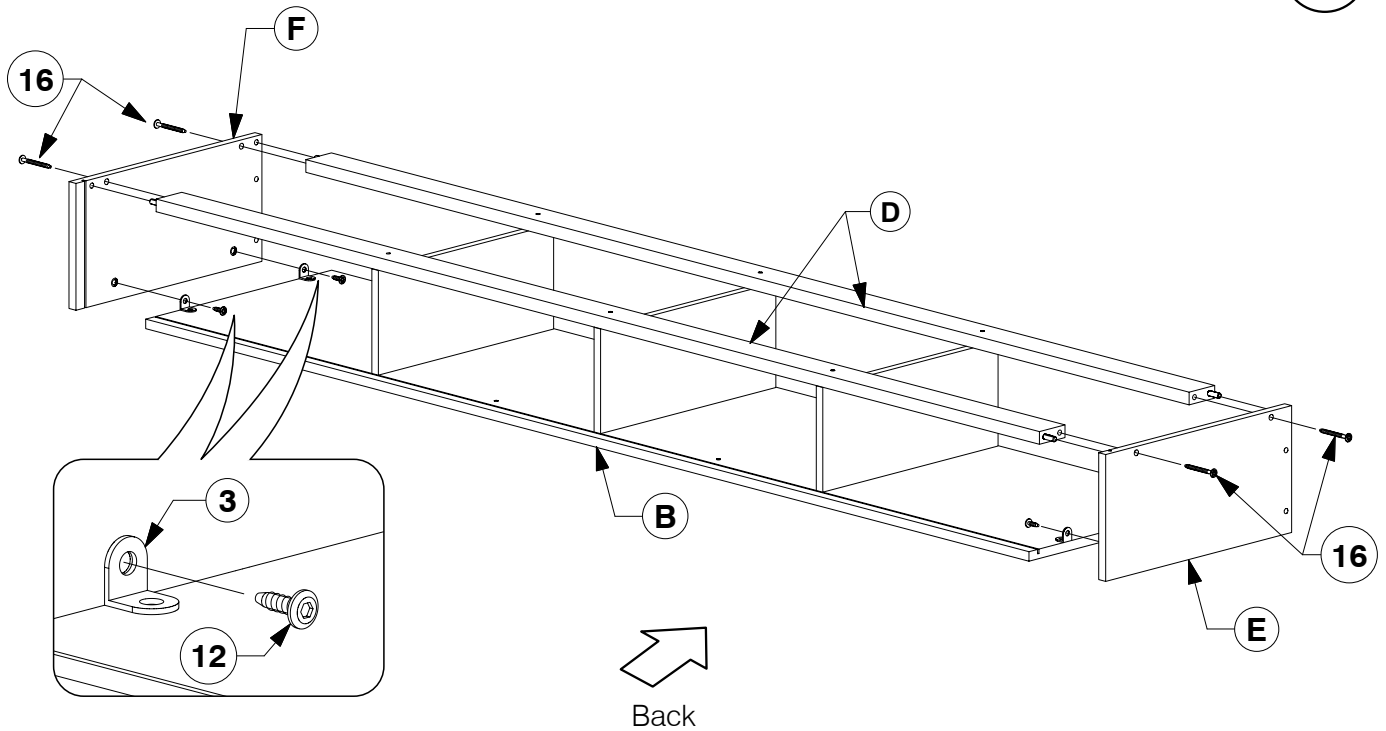
# 0013 Full Bed

## Assembly Instructions

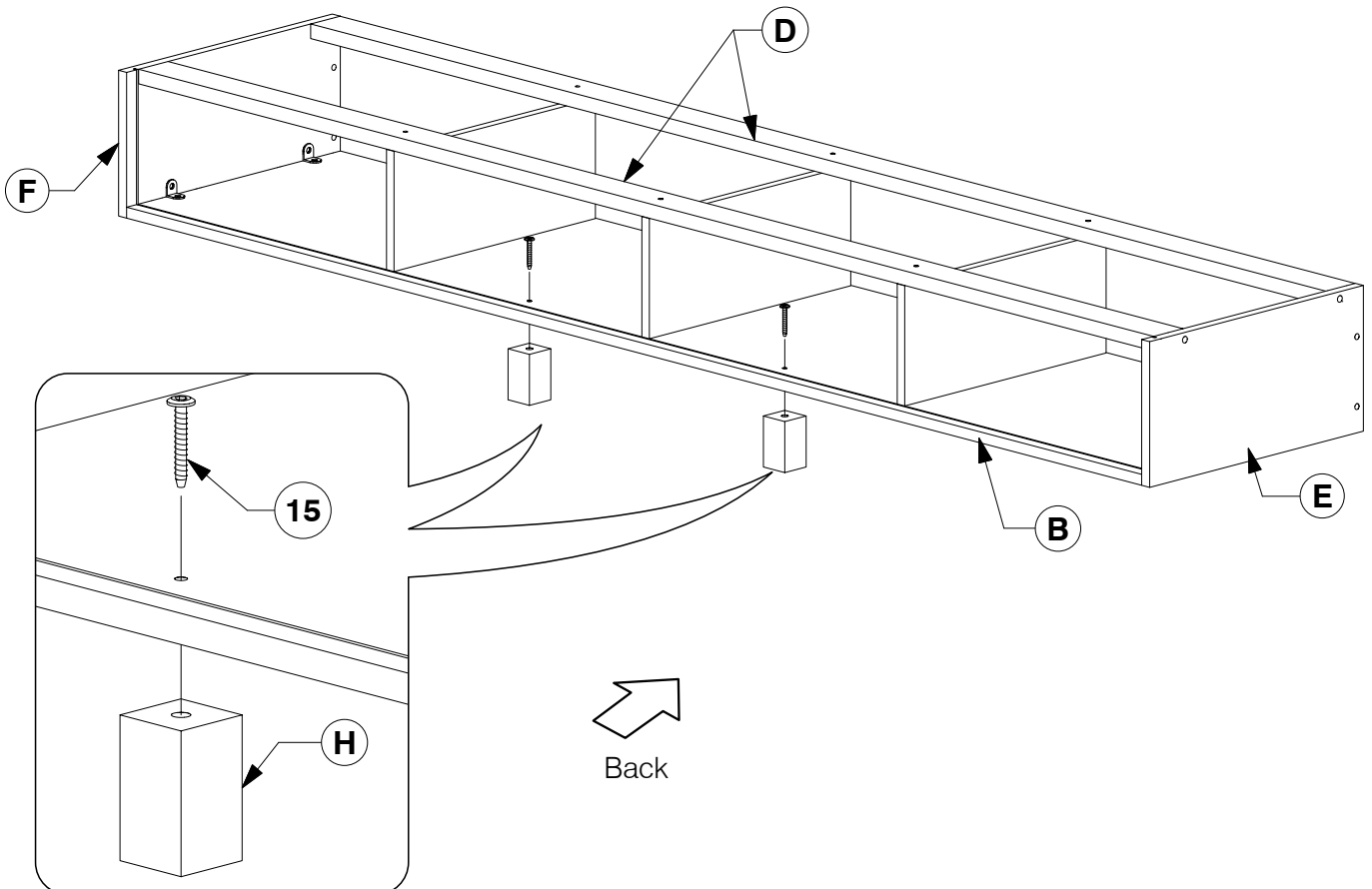
W11-0919

- 9 Assemble the Storage Side Panel (E & F) to the Storage Bottom Panel & Support Rail (B & D).**

x2



- 10 Fit the Storage Foot (H) to the Storage Bottom Panel (B).**



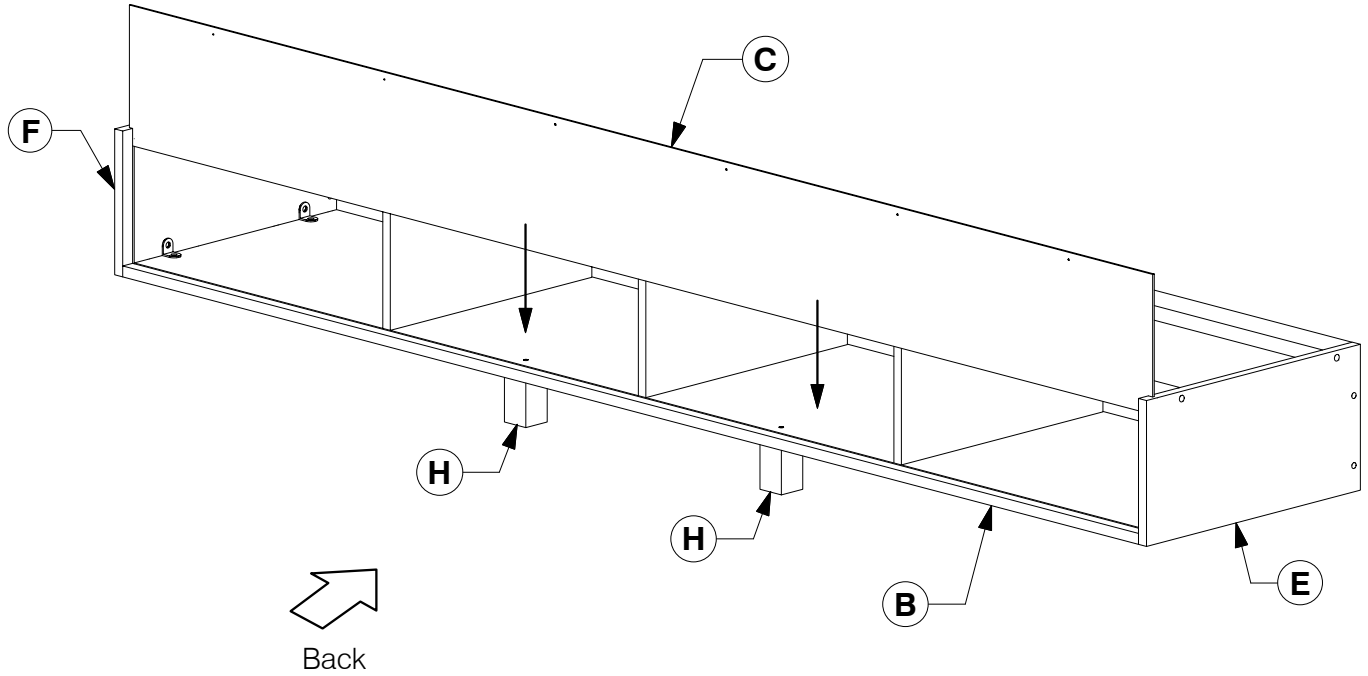
# 0013 Full Bed

## Assembly Instructions

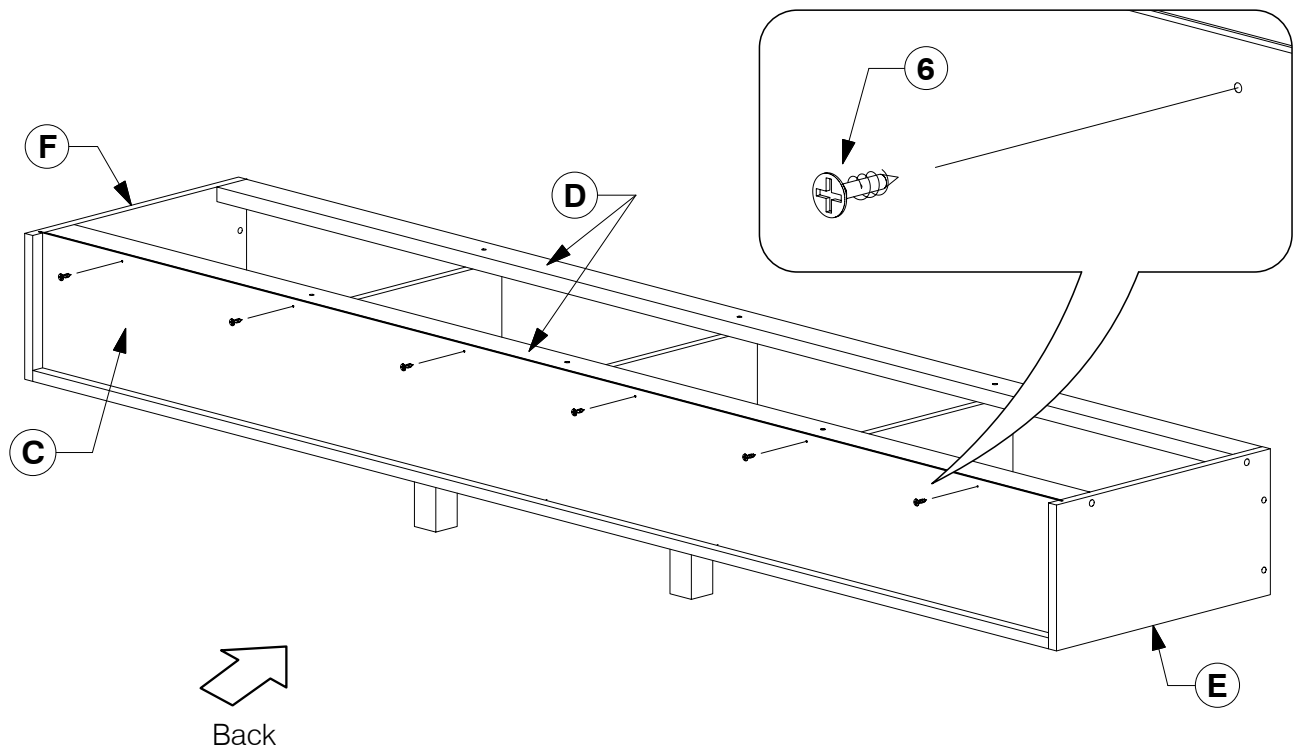
W11-0919

**11** Slide the Storage Back Panel (C) into the groove.

x2



**12** Fit the Storage Back Panel (C) in place.

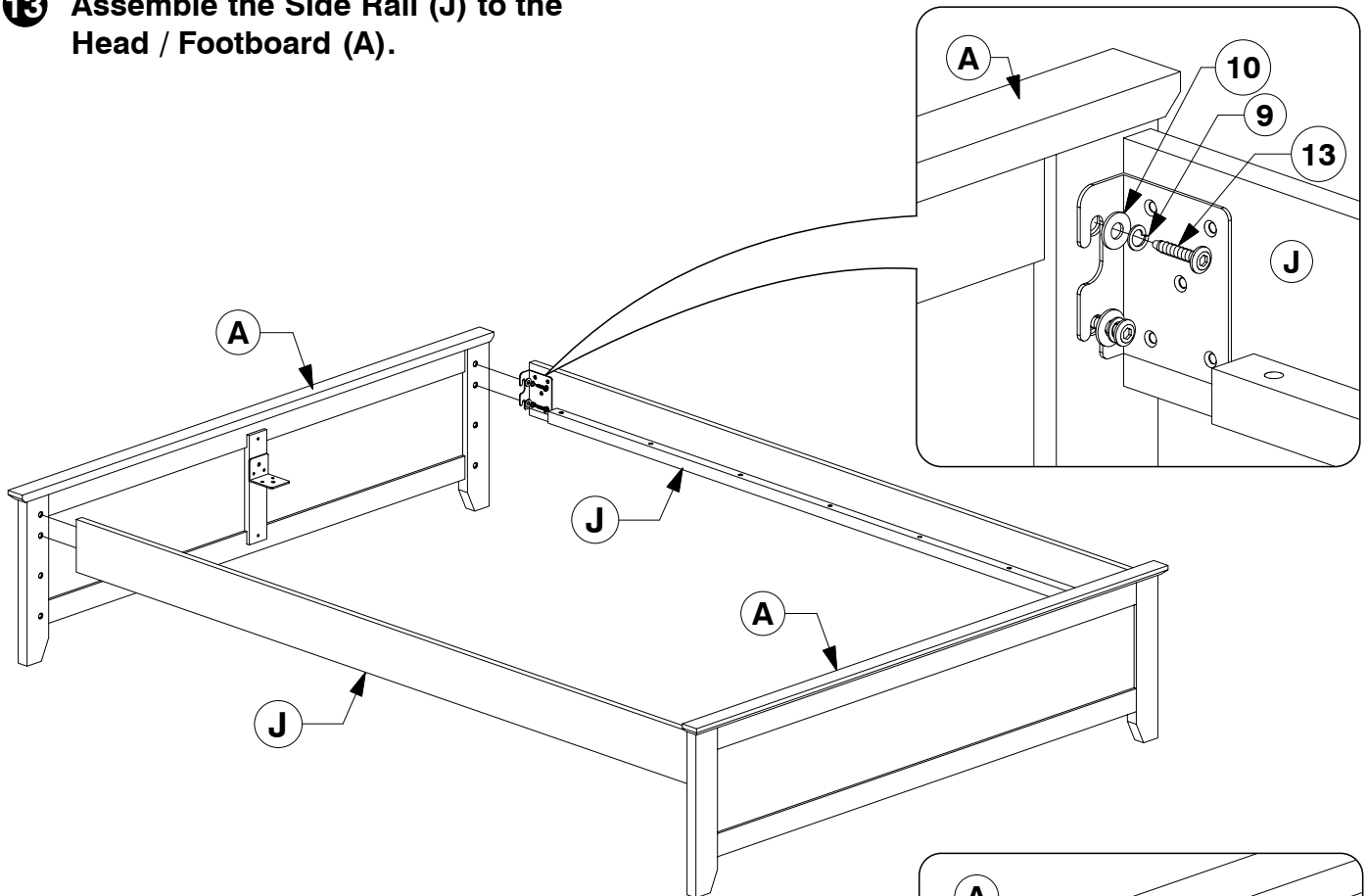


# 0013 Full Bed

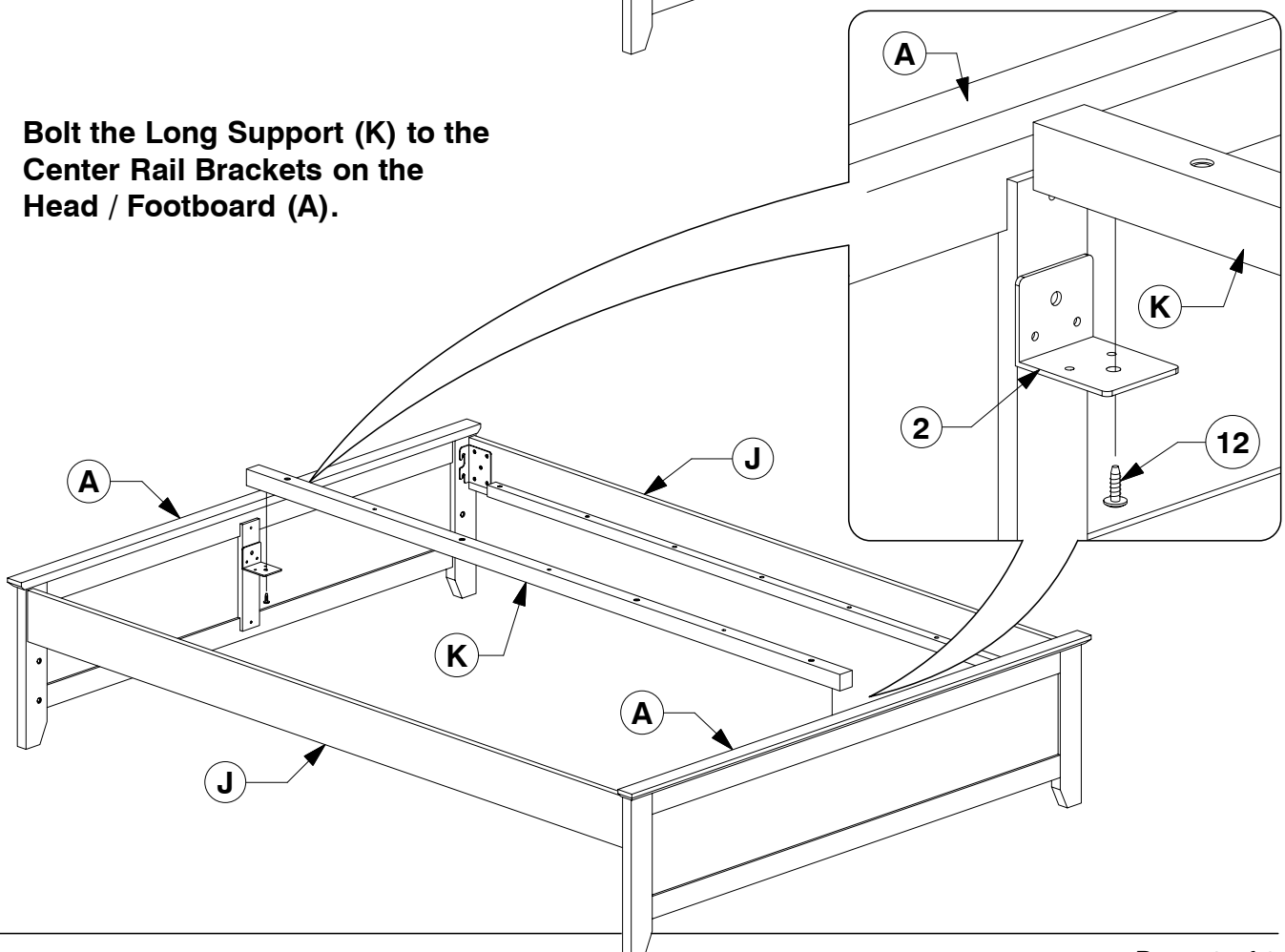
## Assembly Instructions

WII-0919

- 13** Assemble the Side Rail (J) to the Head / Footboard (A).



- 14** Bolt the Long Support (K) to the Center Rail Brackets on the Head / Footboard (A).

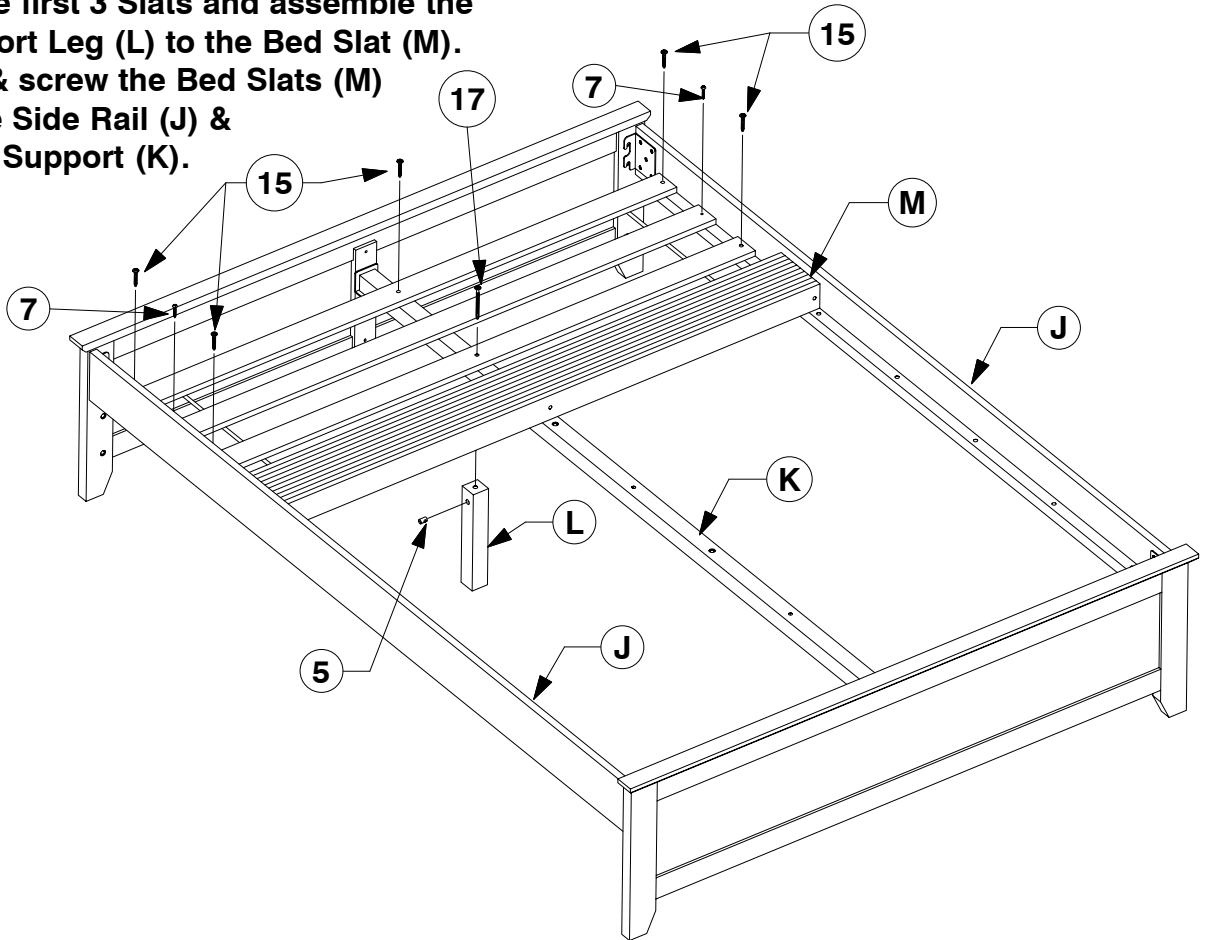


# 0013 Full Bed

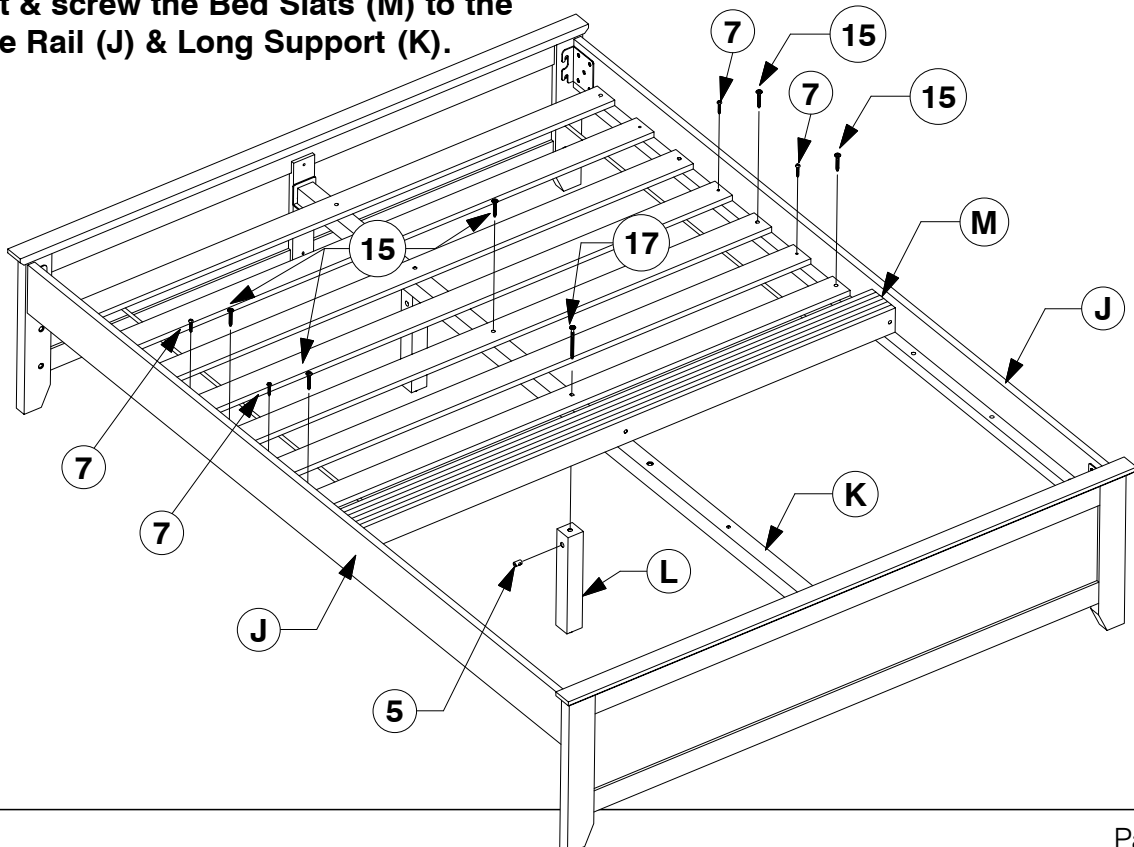
## Assembly Instructions

WII-0919

- 15** Fit the first 3 Slats and assemble the Support Leg (L) to the Bed Slat (M). Bolt & screw the Bed Slats (M) to the Side Rail (J) & Long Support (K).



- 16** Fit the other Slats out and assemble the Support Leg (L) to the Bed Slat (M). Bolt & screw the Bed Slats (M) to the Side Rail (J) & Long Support (K).

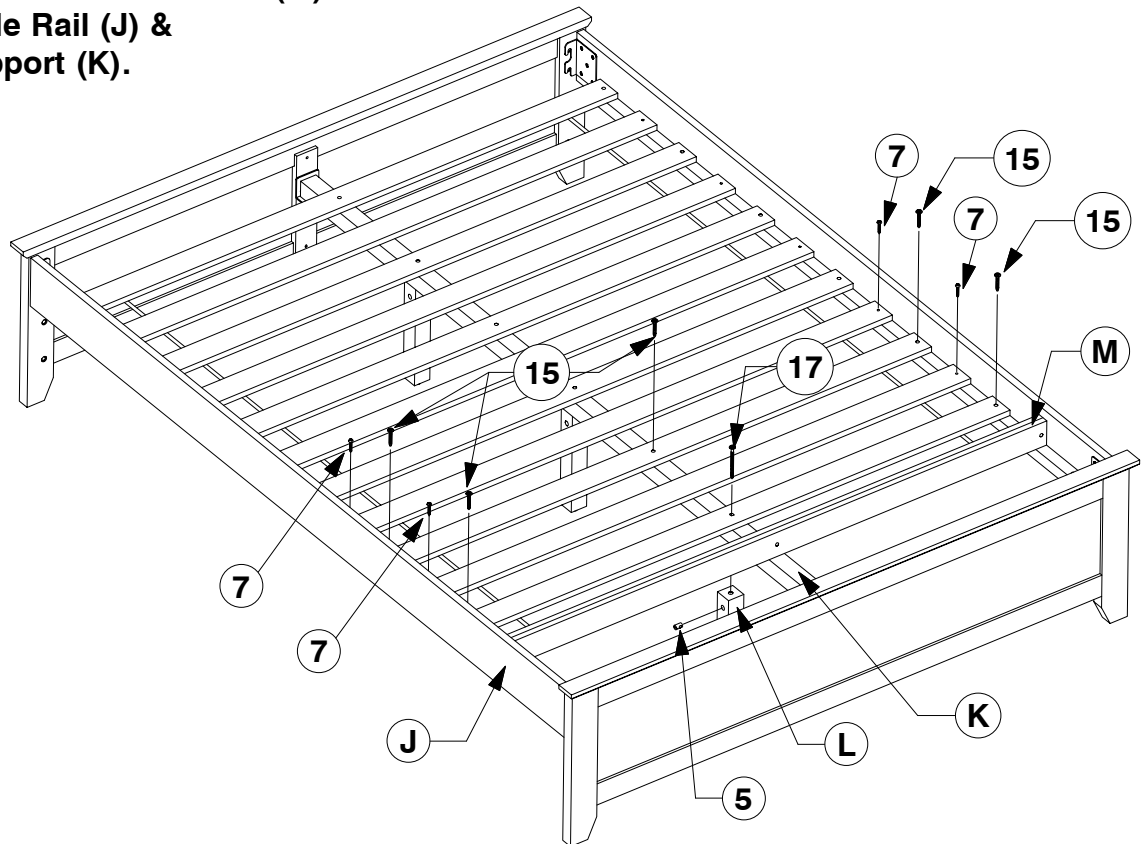


# 0013 Full Bed

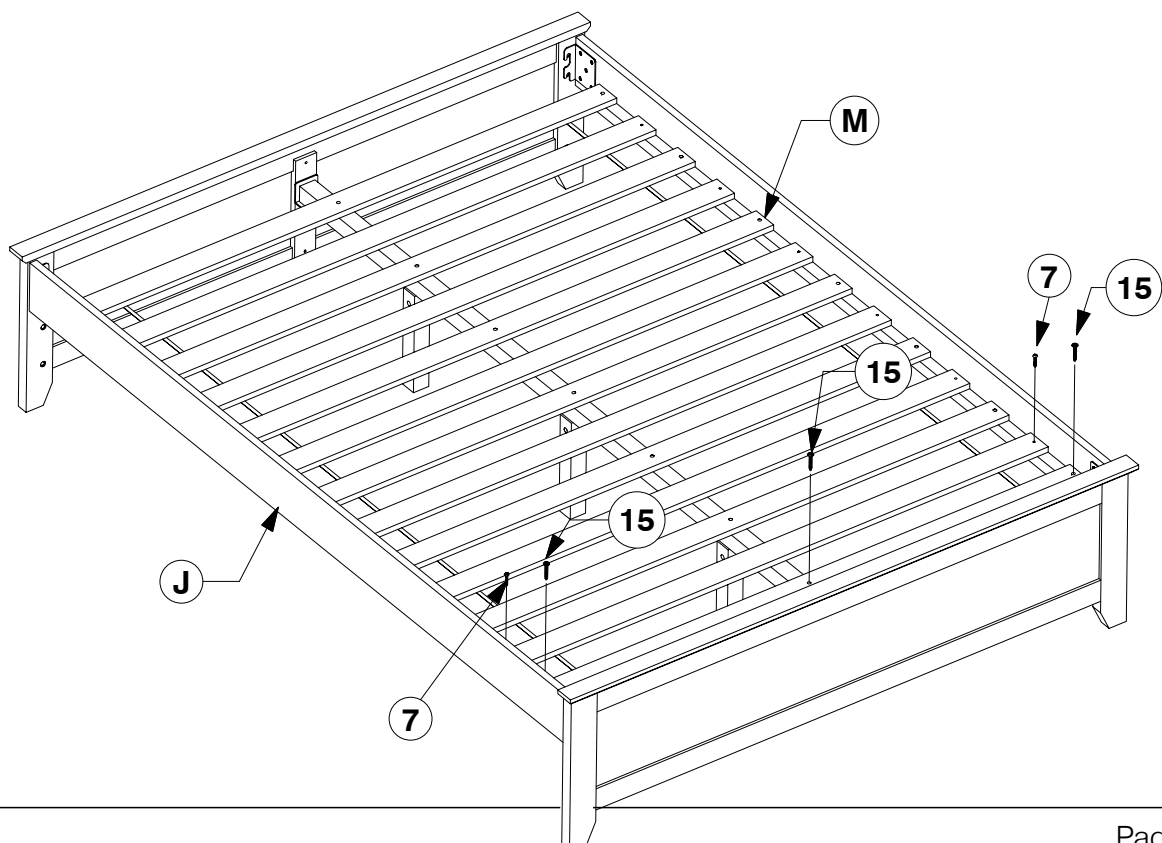
## Assembly Instructions

W11-0919

- 17** Fit the other Slats out and assemble the Support Leg (L) to the Bed Slat (M). Bolt & screw the Bed Slats (M) to the Side Rail (J) & Long Support (K).



- 18** Bolt & screw the remaining Bed Slats (M) to the Side Rail (J).



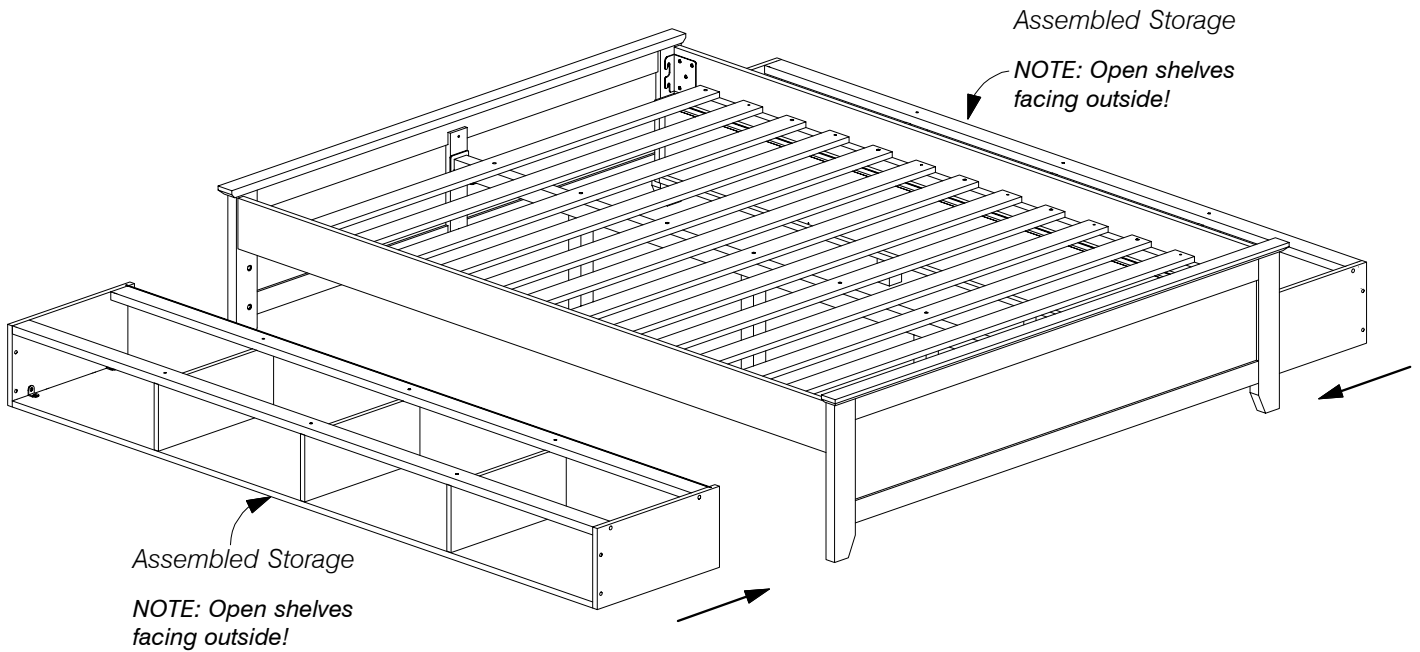


# 0013 Full Bed

## Assembly Instructions

W11-0919

### 19 Fit the Assembled Storage under the Bed Frame.



### 20 Bolt the Assembled Storage to the Bed Frame with M6 x 30mm JCB (14).

