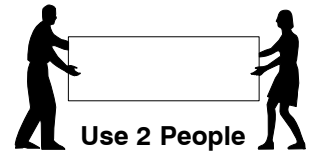
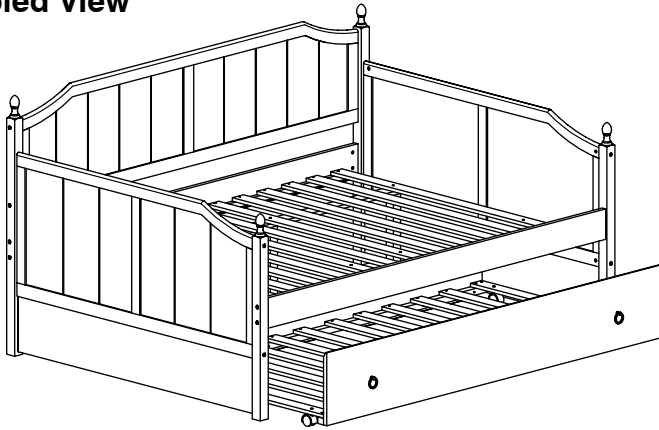


0010 Full Daybed

Assembly Instructions

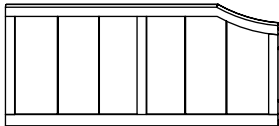
WII-0720

1 Assembled View

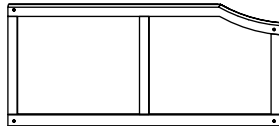


Note: Do not assemble using power tools. This can cause the bolts to be overtightened

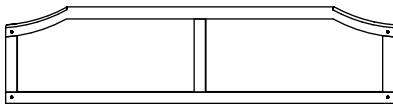
2 Parts in this Box



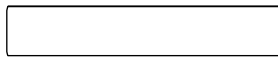
A Side Panel (Left Hand) x 1



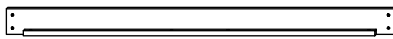
B Side Panel (Right Hand) x 1



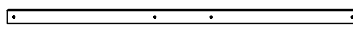
C Back Panel x 1



D Bottom Panel x 1



E Side Rail x 2



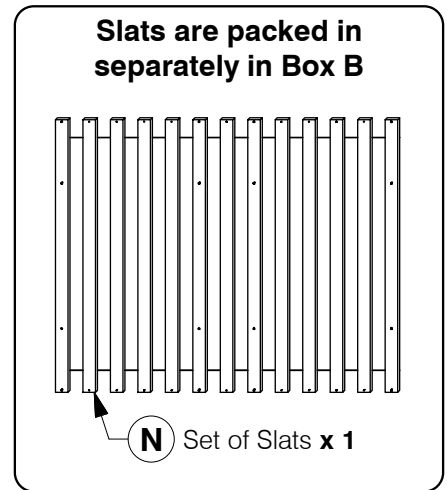
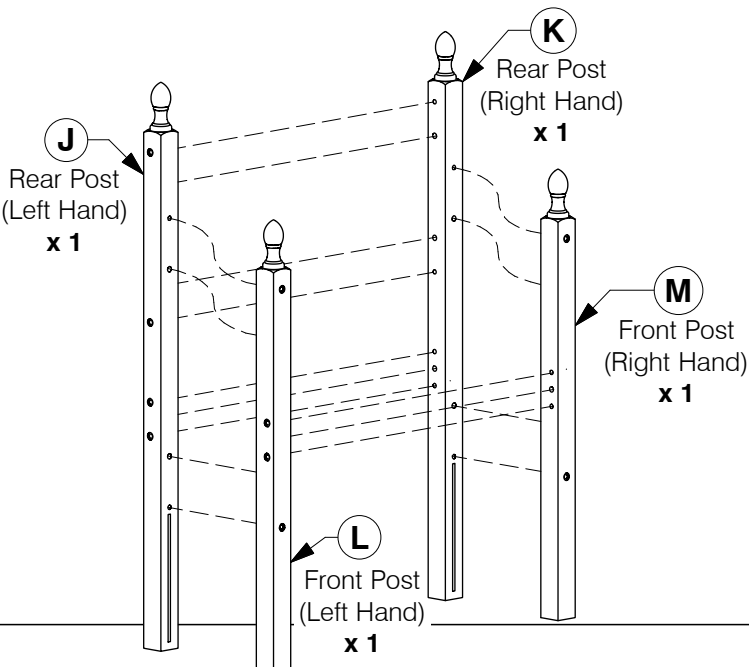
F Long Support x 1



G Support Leg x 4



H Mini Support Leg x 4



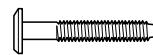
3 Hardware in this Box



1 M6 x 90mm JCB x 28



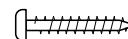
4 Barrel Nut x 24



2 M6 x 40mm JCB x 8



5 Wood Dowel (10 x 40mm) x 16



3 Wood Screw (M4 x 32mm) x 18



6 Allen Key x 1

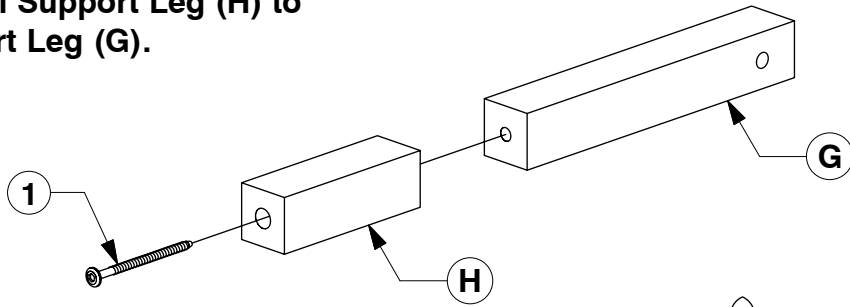
0010 Full Daybed

Assembly Instructions

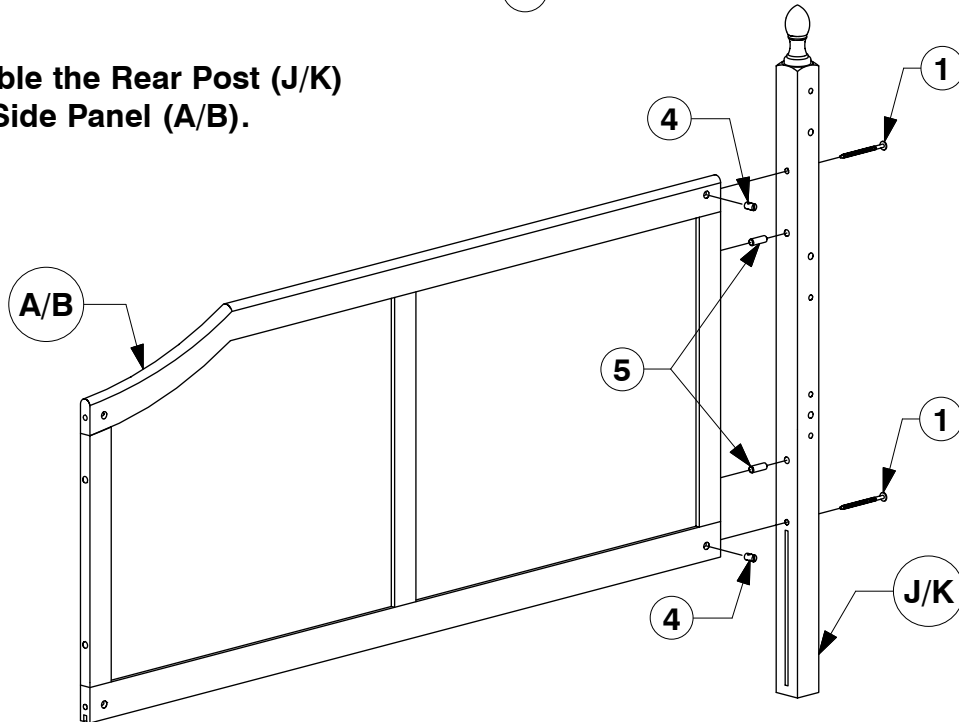
W11-0720

- 4** Fit the Mini Support Leg (H) to the Support Leg (G).

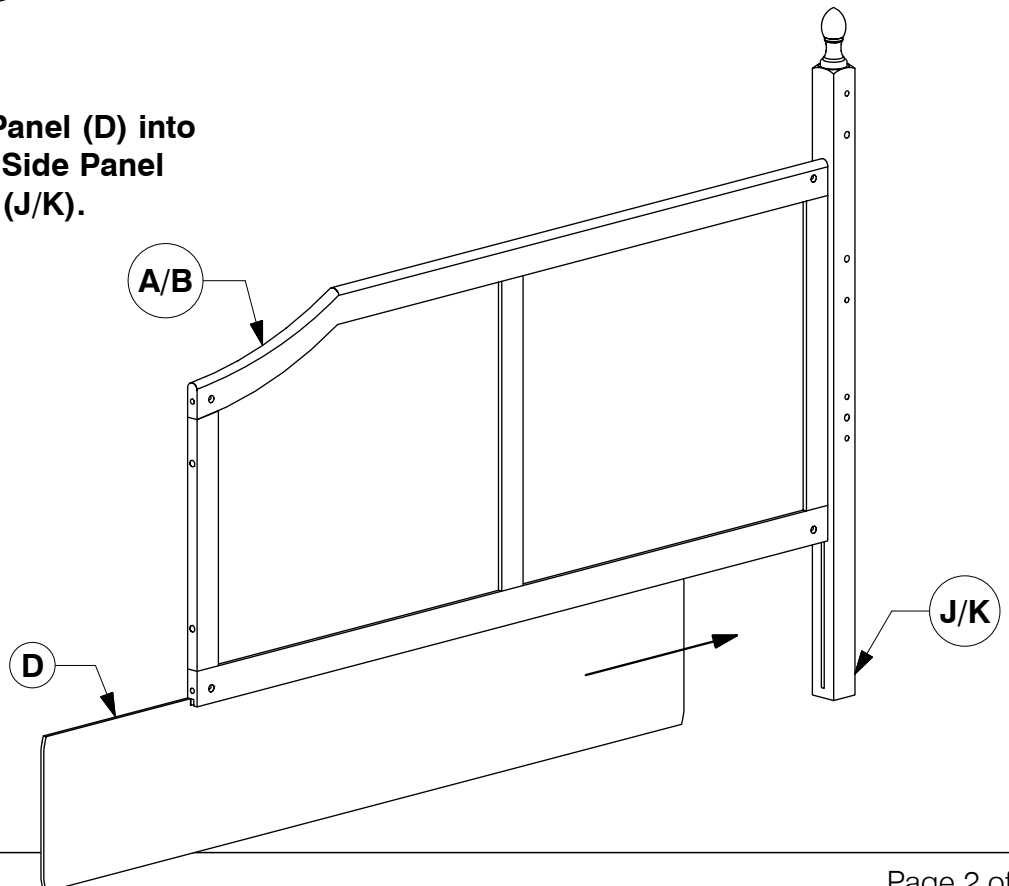
x4



- 5** Assemble the Rear Post (J/K) to the Side Panel (A/B).



- 6** Slide the Bottom Panel (D) into the groove on the Side Panel (A/B) & Rear Post (J/K).

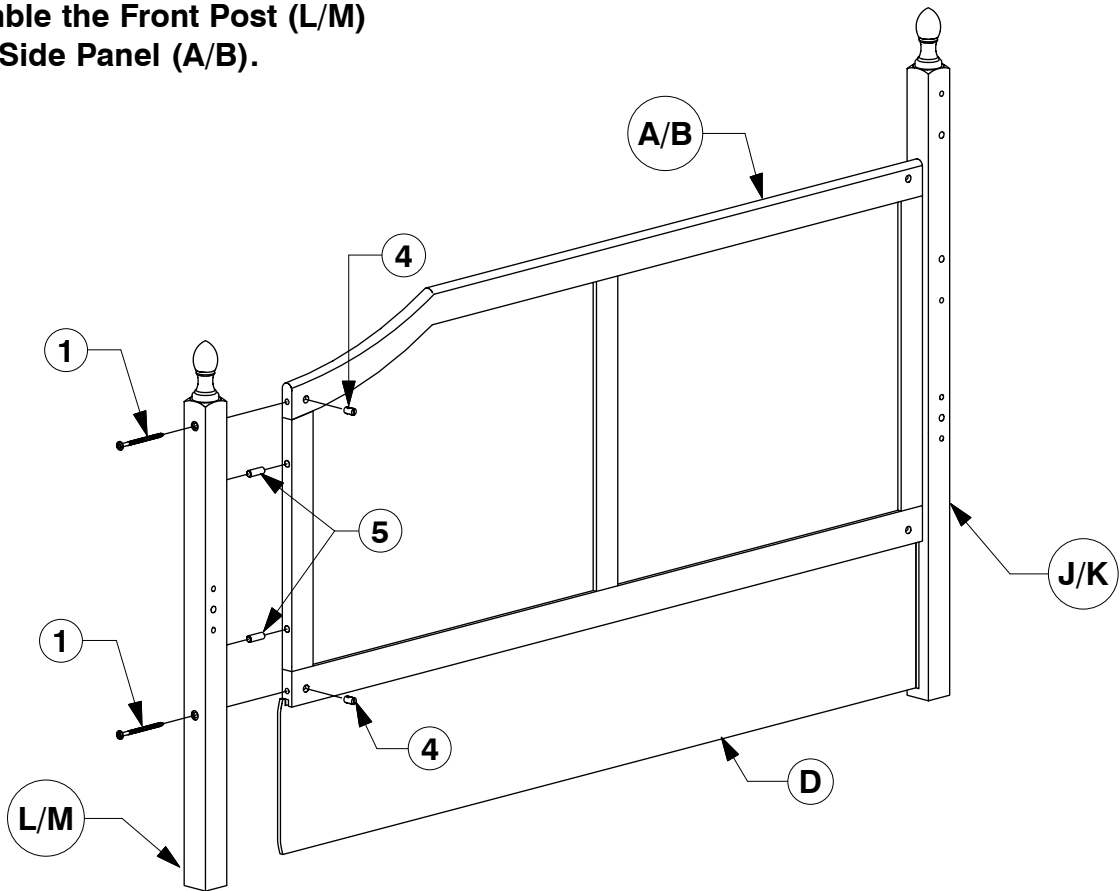


0010 Full Daybed

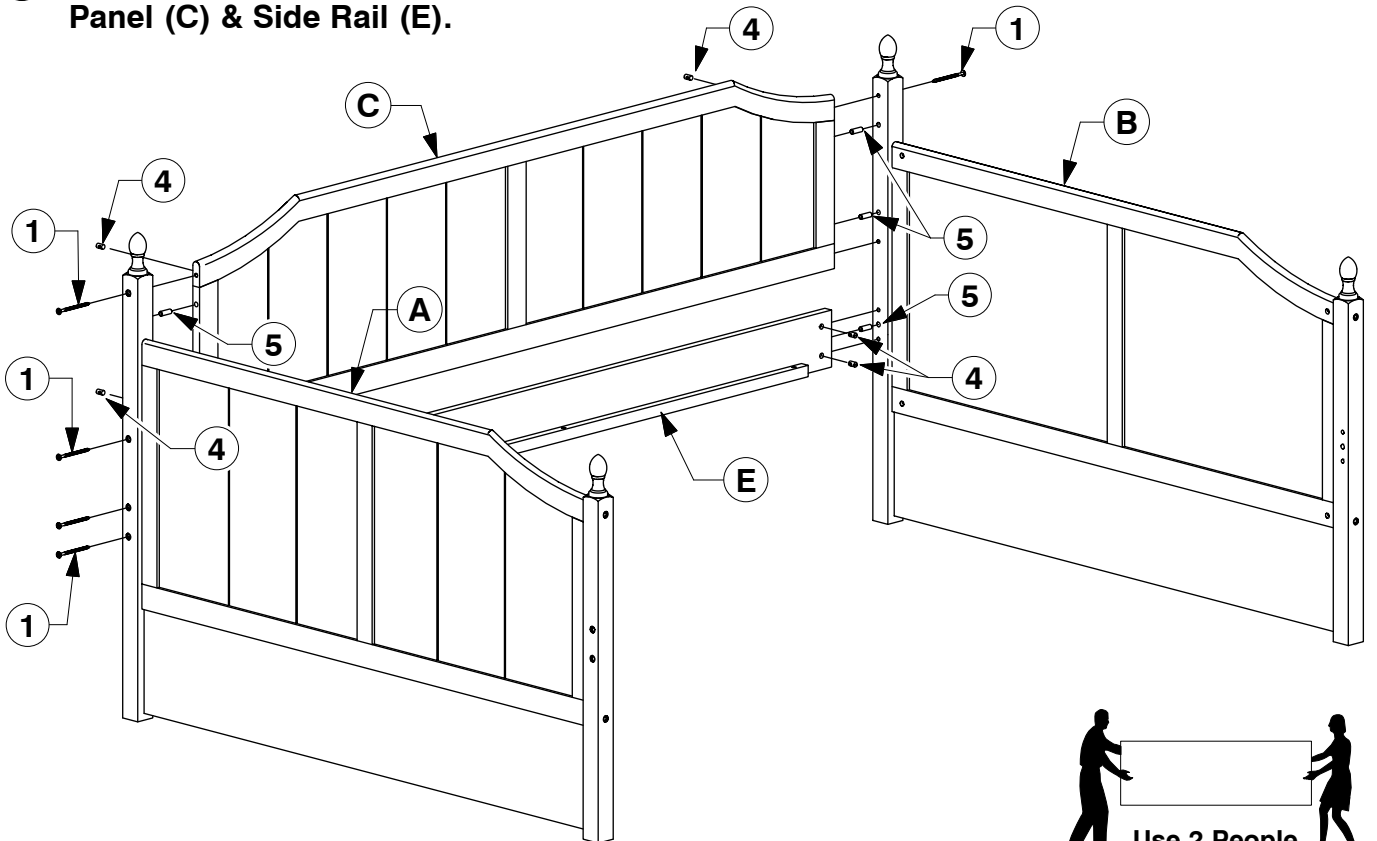
Assembly Instructions

W11-0720

- 7** Assemble the Front Post (L/M) to the Side Panel (A/B).



- 8** Assemble the Side Panel (A & B) to the Back Panel (C) & Side Rail (E).

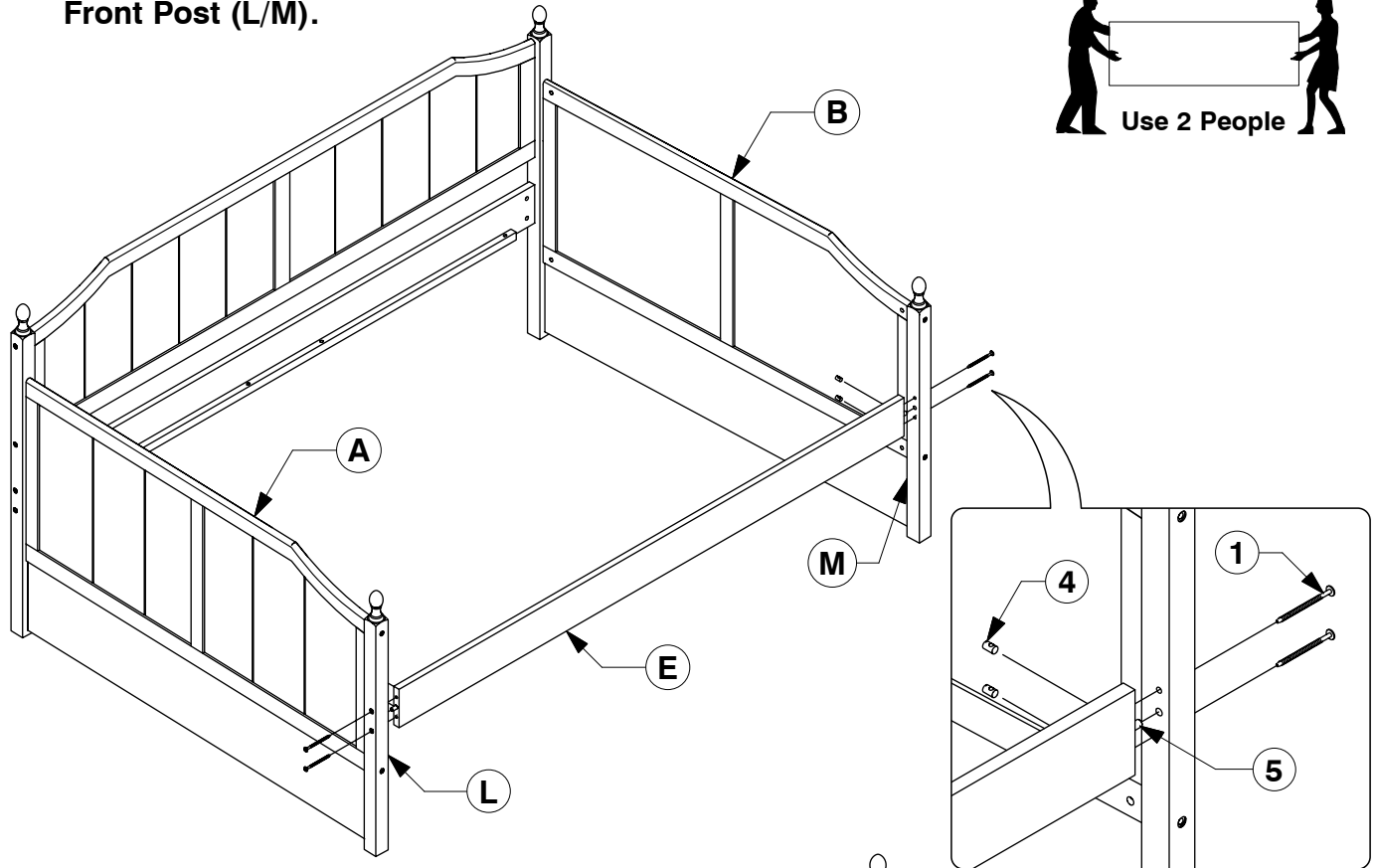


0010 Full Daybed

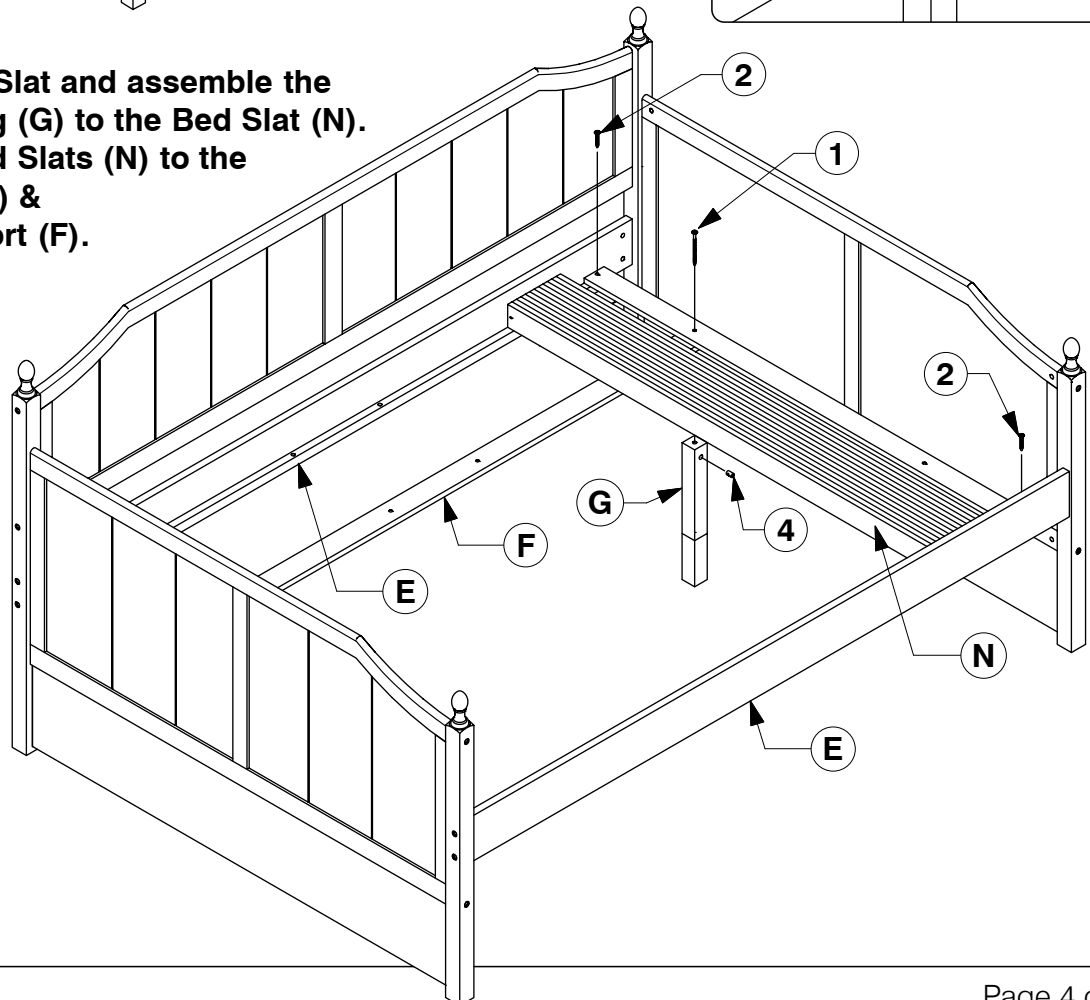
Assembly Instructions

W11-0720

- 9** Assemble the Side Rail (E) to the Front Post (L/M).



- 10** Fit the first Slat and assemble the Support Leg (G) to the Bed Slat (N). Bolt the Bed Slats (N) to the Side Rail (E) & Long Support (F).

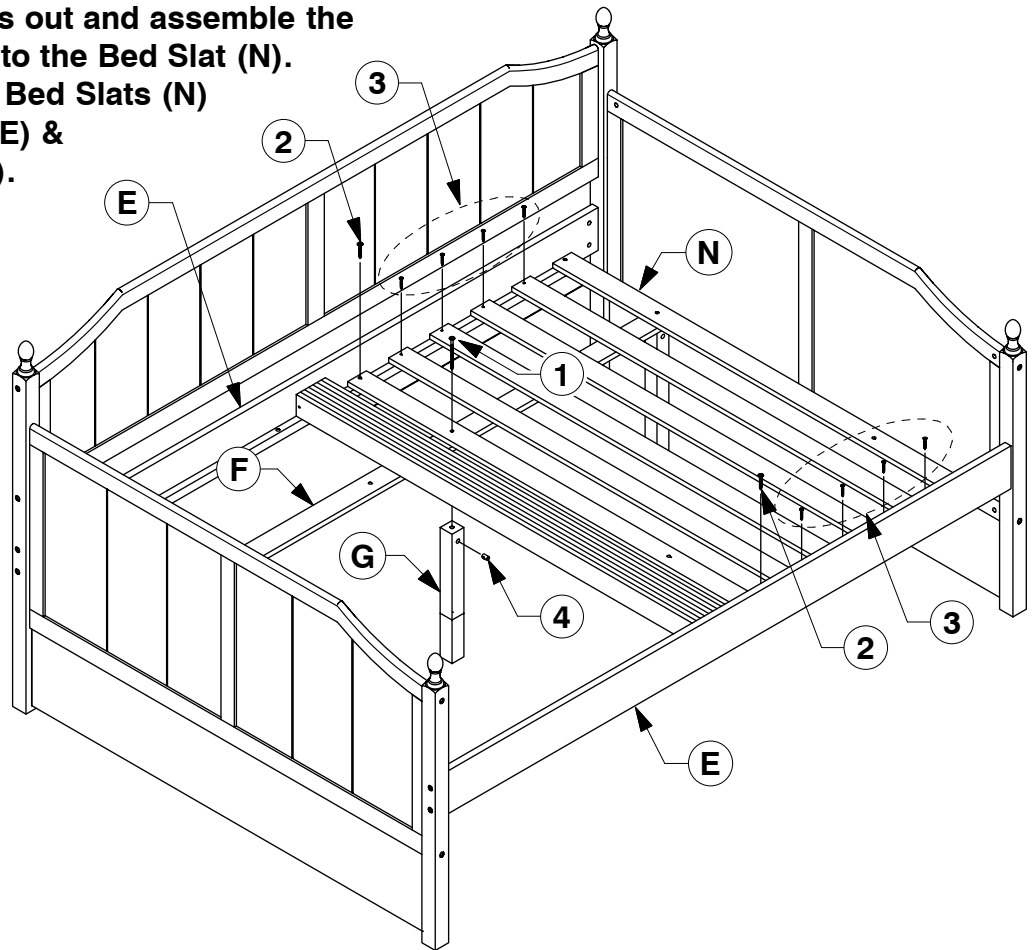


0010 Full Daybed

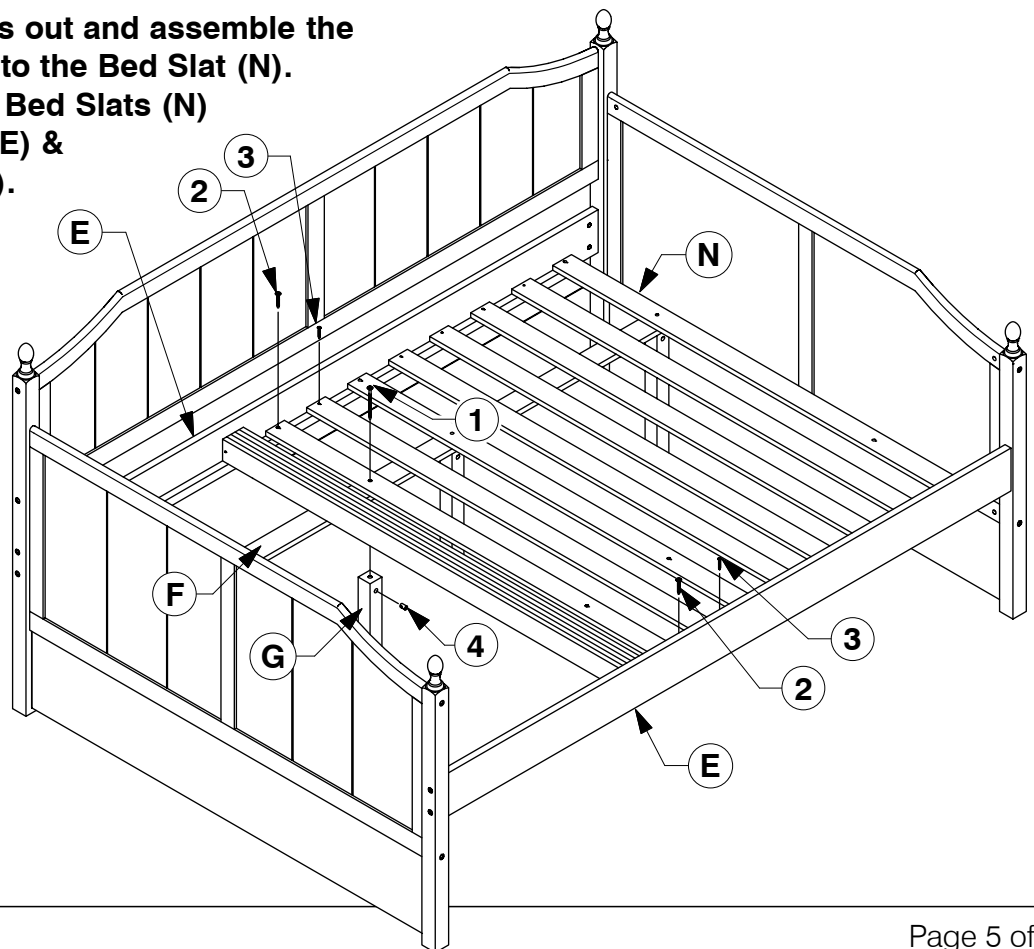
Assembly Instructions

W11-0720

- 11** Fit the other Slats out and assemble the Support Leg (G) to the Bed Slat (N). Bolt & screw the Bed Slats (N) to the Side Rail (E) & Long Support (F).



- 12** Fit the other Slats out and assemble the Support Leg (G) to the Bed Slat (N). Bolt & screw the Bed Slats (N) to the Side Rail (E) & Long Support (F).

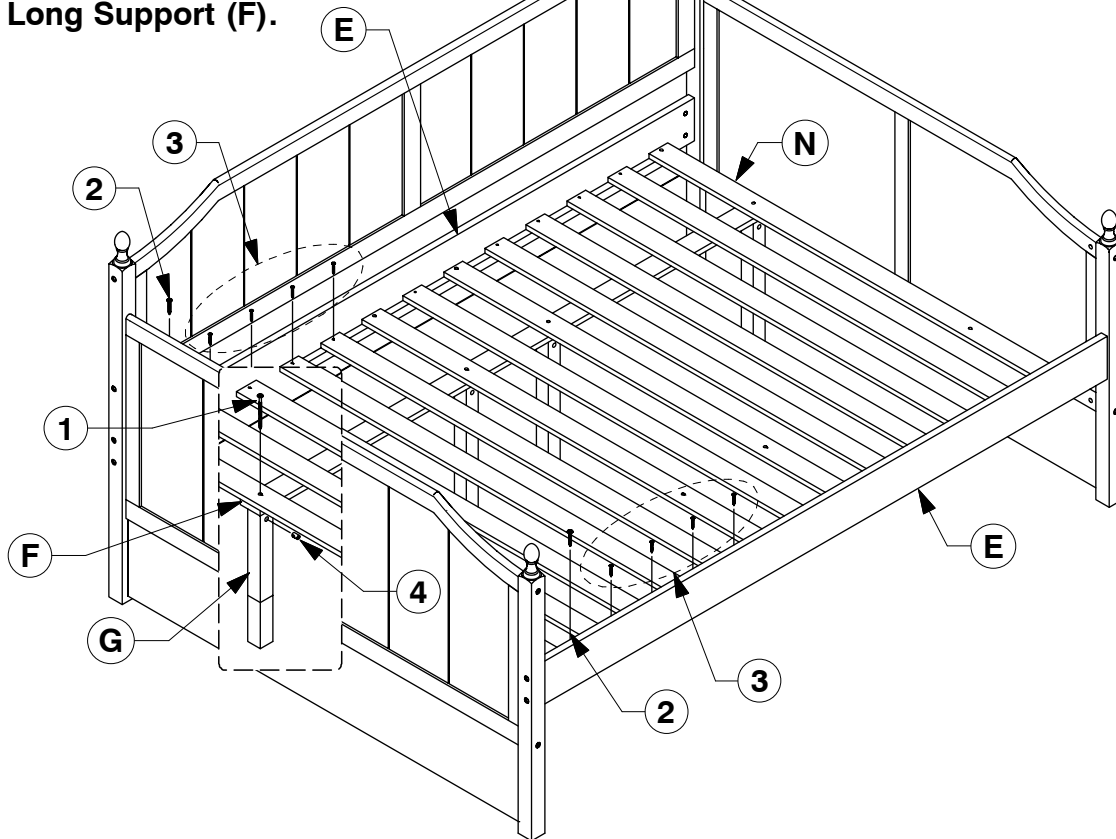


0010 Full Daybed

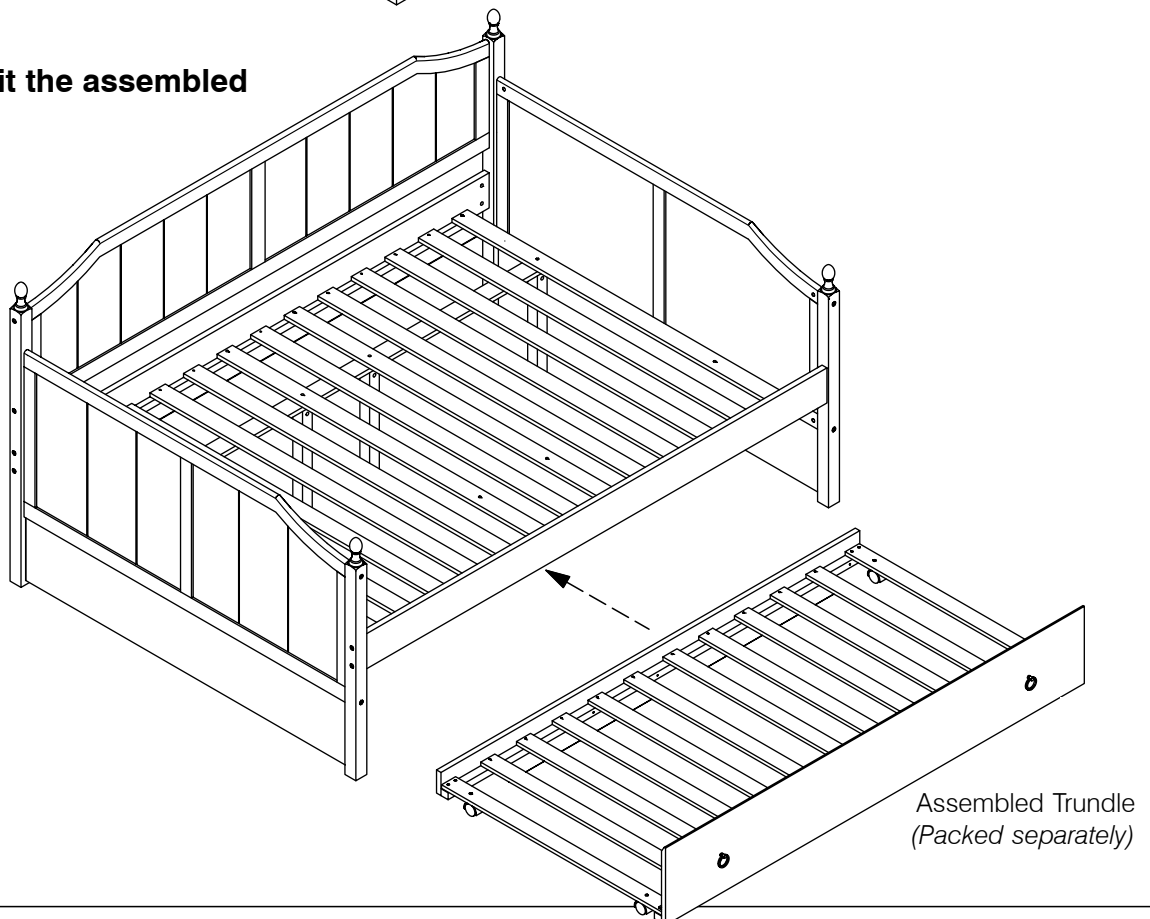
Assembly Instructions

W11-0720

- 13** Assemble the Support Leg (G) and bolt & screw the remaining Bed Slats (N) to the Side Rail (E) & Long Support (F).



- 14** Finally, fit the assembled trundle.

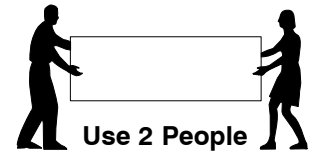
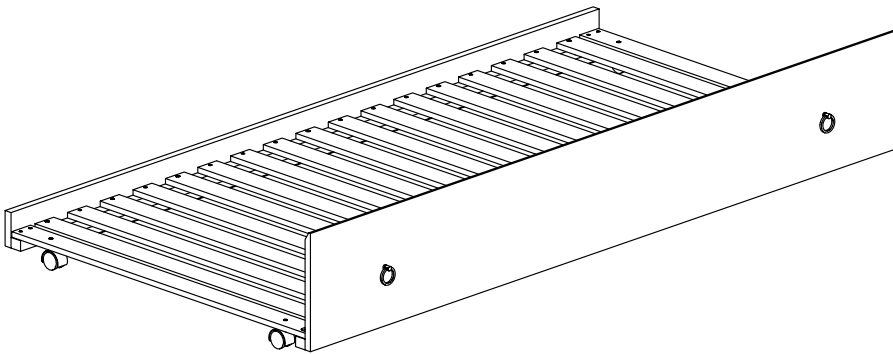


0010 Daybed Trundle

Assembly Instructions

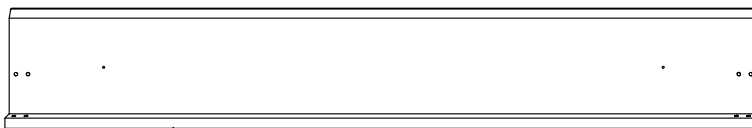
MG-0720

1 Assembled View

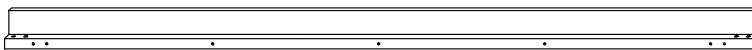


Note: Do not assemble using power tools. This can cause the bolts to be overtightened

2 Parts List



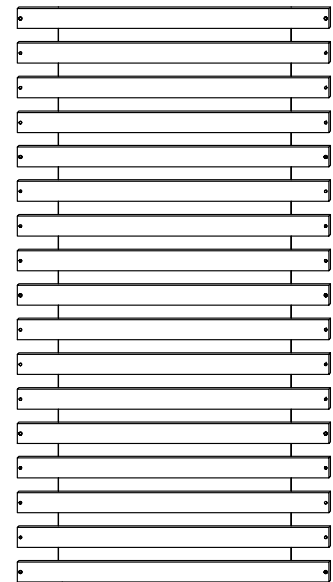
A Trundle Front Panel x 1



B Trundle Rear Panel x 1



C Trundle Support Rail x 2



D Set of Slats x 1

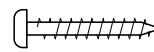
3 Hardware List



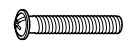
1 M6 x 40mm JCB
x 18



2 M6 x 15mm JCB
x 4



3 Wood Screw
(M4 x 32mm)
x 24



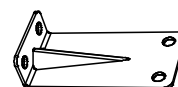
4 Wood Screw
(M4 x 22mm)
x 2



5 Allen Key
x 1



6 Handle
x 2



7 Metal
Bracket x 2



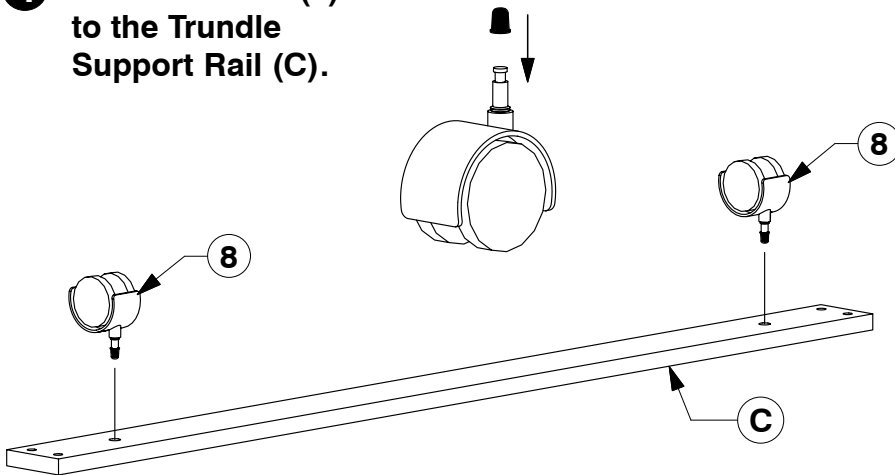
8 Wheels
x 4

0010 Daybed Trundle

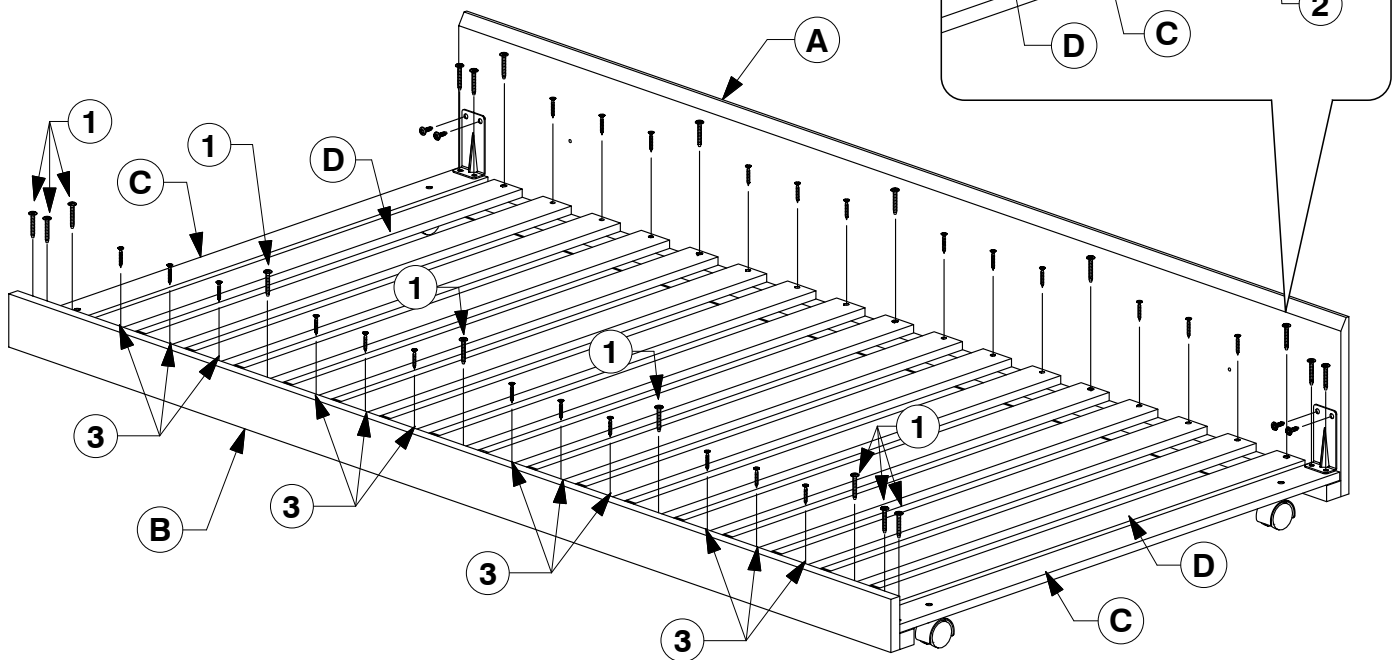
Assembly Instructions

MG-0720

- 4** Fit the Wheels (8) to the Trundle Support Rail (C).



- 5** Assemble the Set of Slats (D) & Trundle Support Rail (C) to the Trundle Front Panel (A) & Trundle Rear Panel (B).



- 6** Fit the Handle (6) to the Trundle Front Panel (A).

