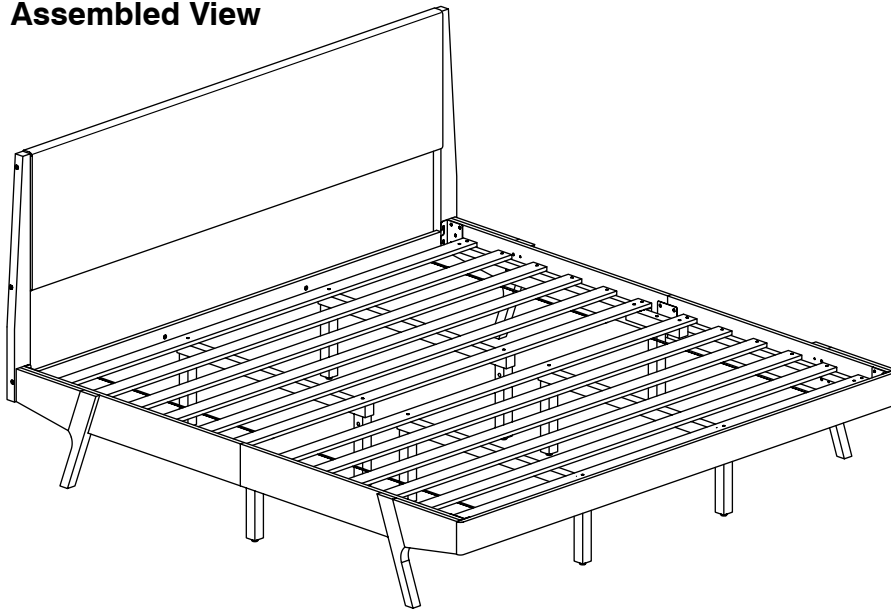


0008 S King Bed

Assembly Instructions

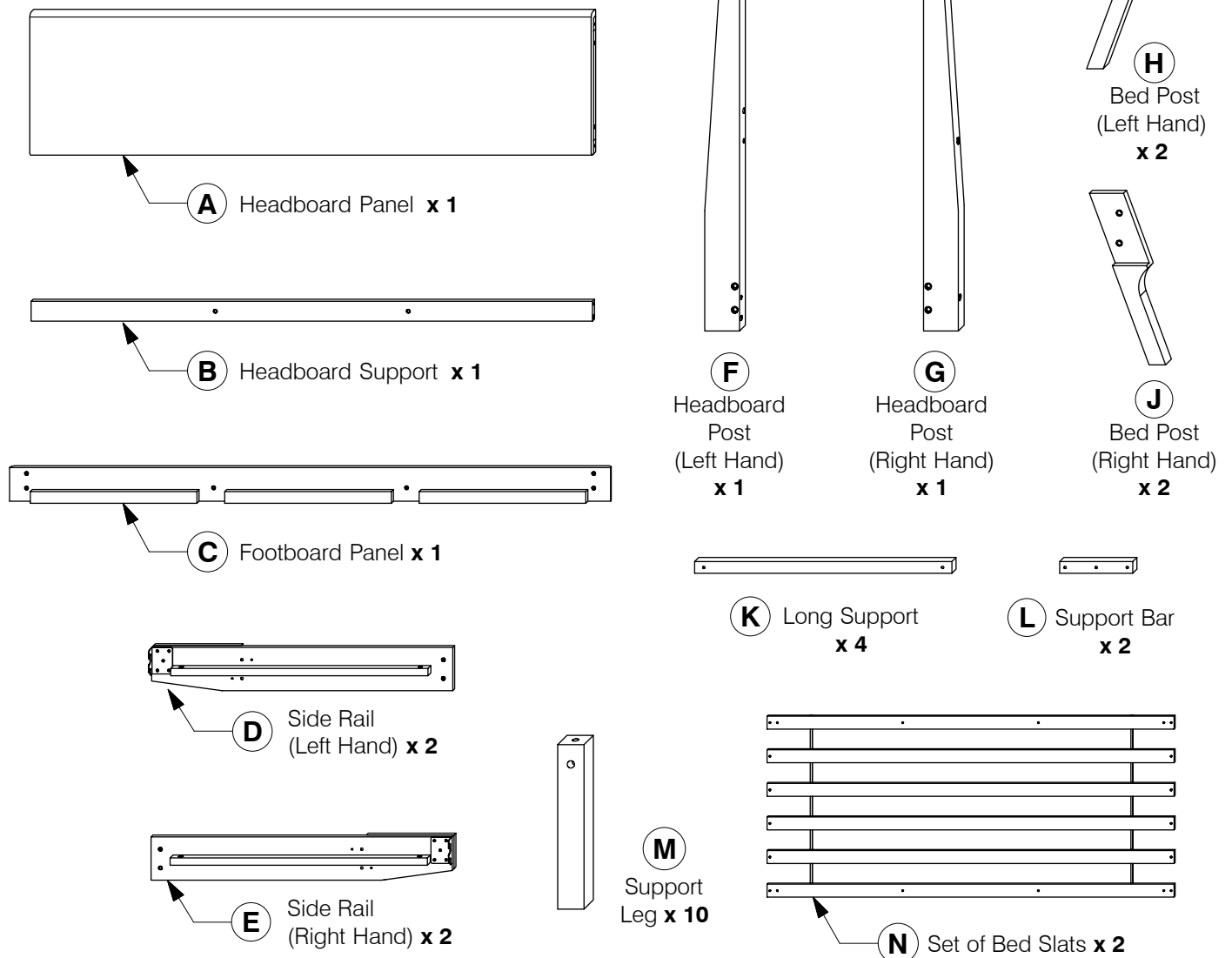
WI-0221

1 Assembled View



Note: Do not assemble using power tools. This can cause the bolts to be overtightened

2 Parts List

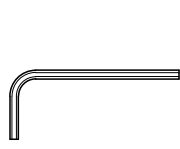


0008 S King Bed

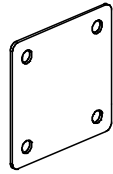
Assembly Instructions

WI-0221

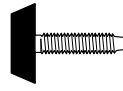
3 Hardware List



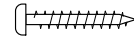
1 Allen Key
x 1



2 Metal Plate
x 2



3 Adjustable
Foot x 10



4 Wood Screw
(M4 x 32mm) x 24



5 Wood Dowel
(M10 x 40mm)
x 6



6 Barrel
Nut x 16



7 Spring
Washer
x 8



8 M6 Flat
Washer
x 30



9 M6
JCN Nut
x 4



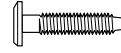
10 M8 Flat
Washer
x 4



11 M6 x
15mm JCB
x 8



12 M6 x
20mm JCB
x 8



13 M6 x
30mm JCB
x 8



14 M6 x
40mm JCB
x 8



15 M6 x 50mm JCB
x 4

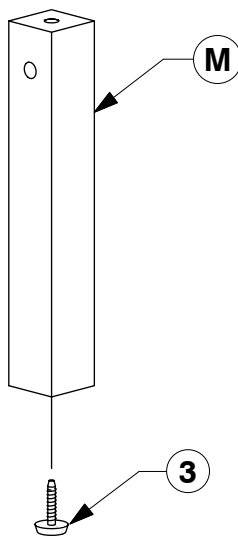


16 M6 x 90mm JCB
x 2



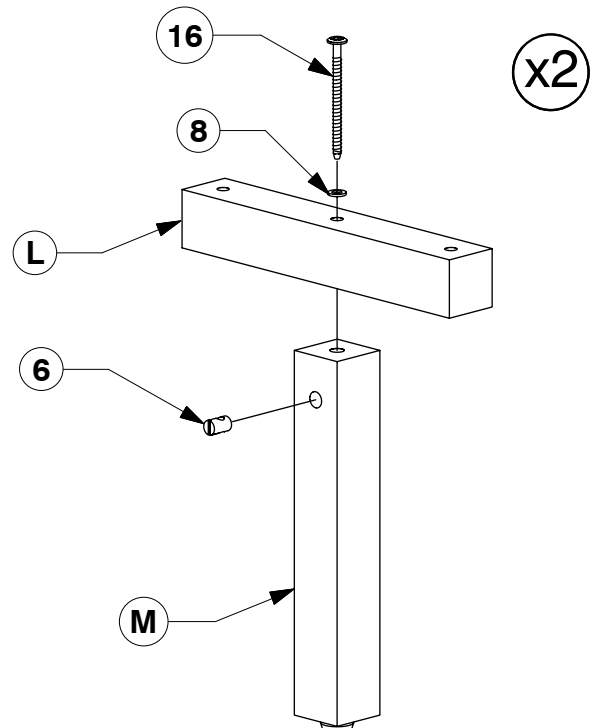
17 M6 x 100mm JCB
x 14

4 Fit the Adjustable foot to the bottom of the Support Leg (M).



5 Fit the Support Bar (L) to the Support Leg (M).

x10



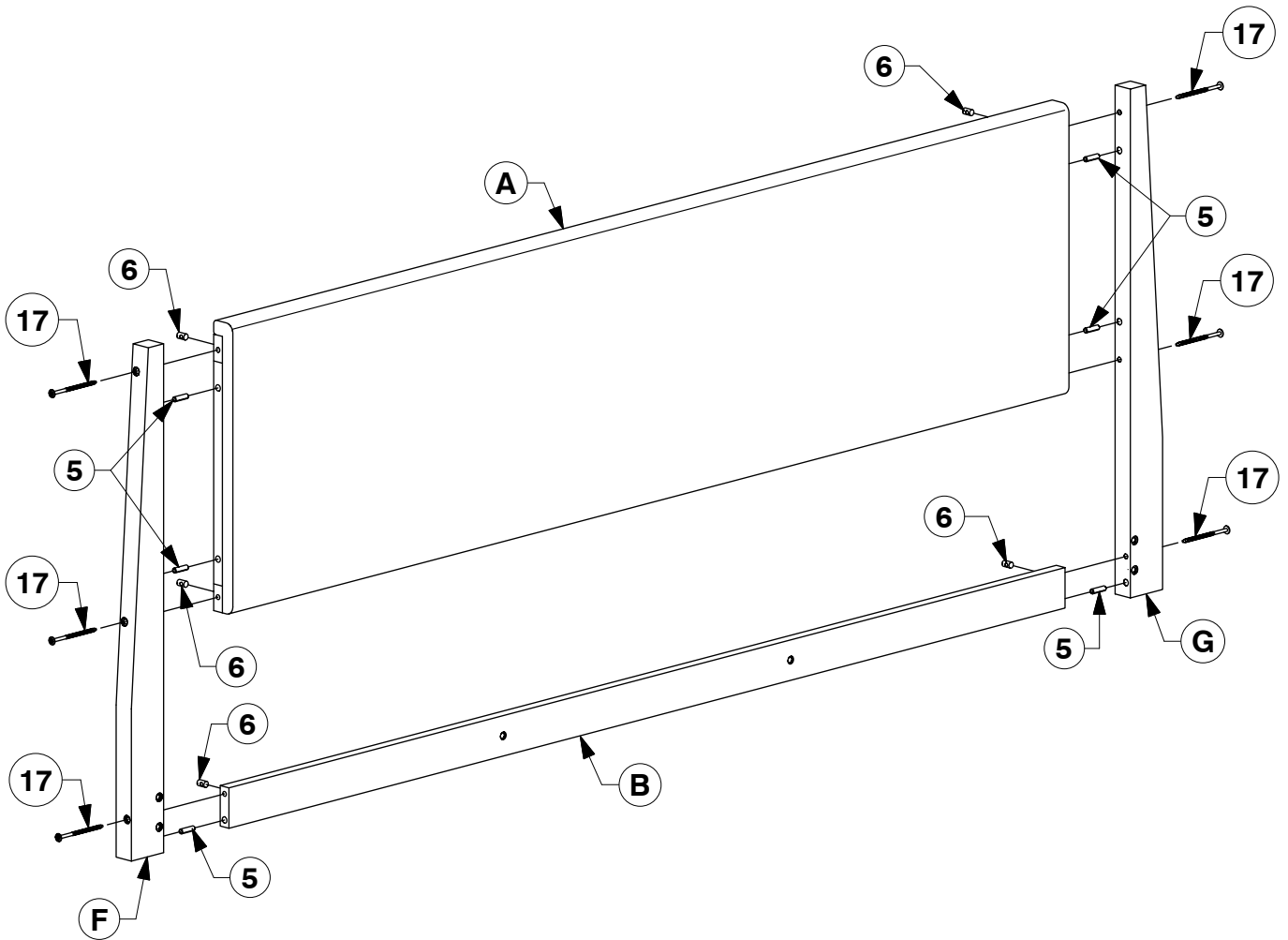
x2

0008 S King Bed

Assembly Instructions

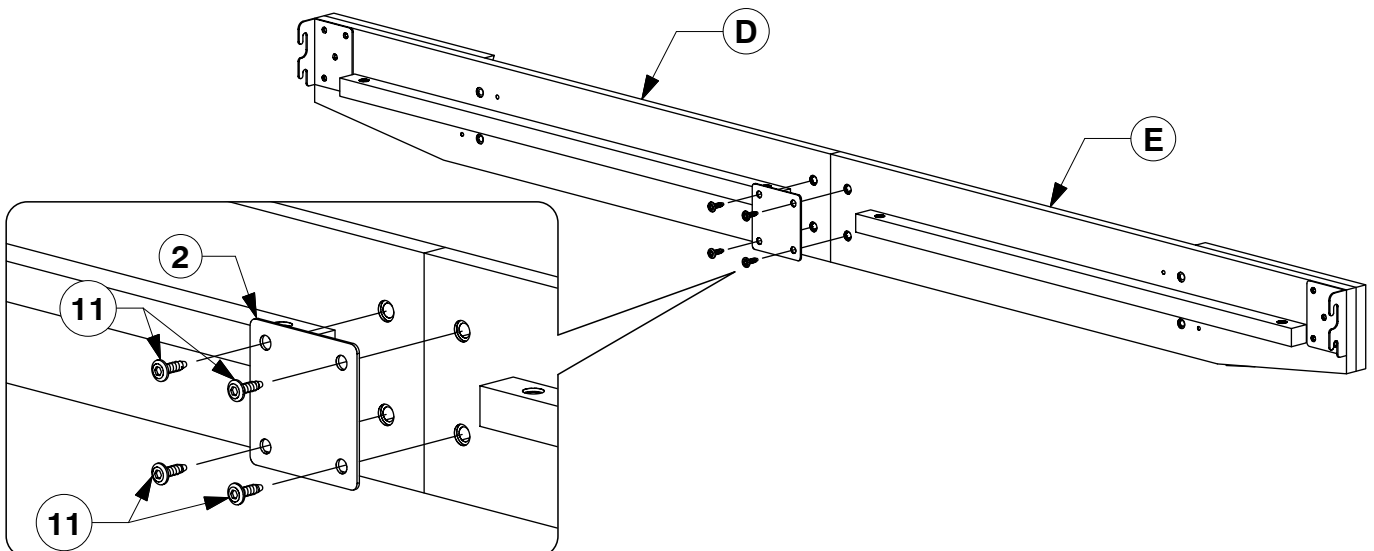
WI-0221

- 6** Assemble the Headboard Panel (A) & Headboard Support (B) to the Headboard Post (F & G).



- 7** Fit the Metal Plate to the Side Rail (D & E).

x2



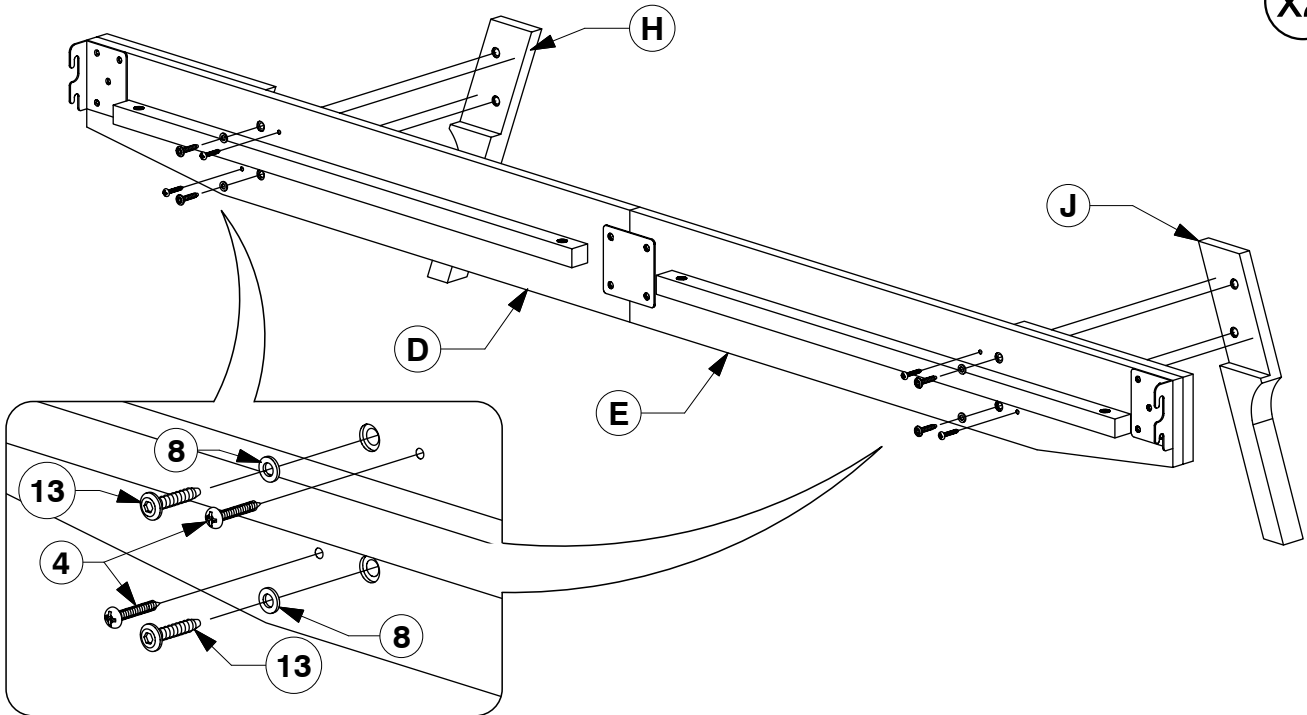
0008 S King Bed

Assembly Instructions

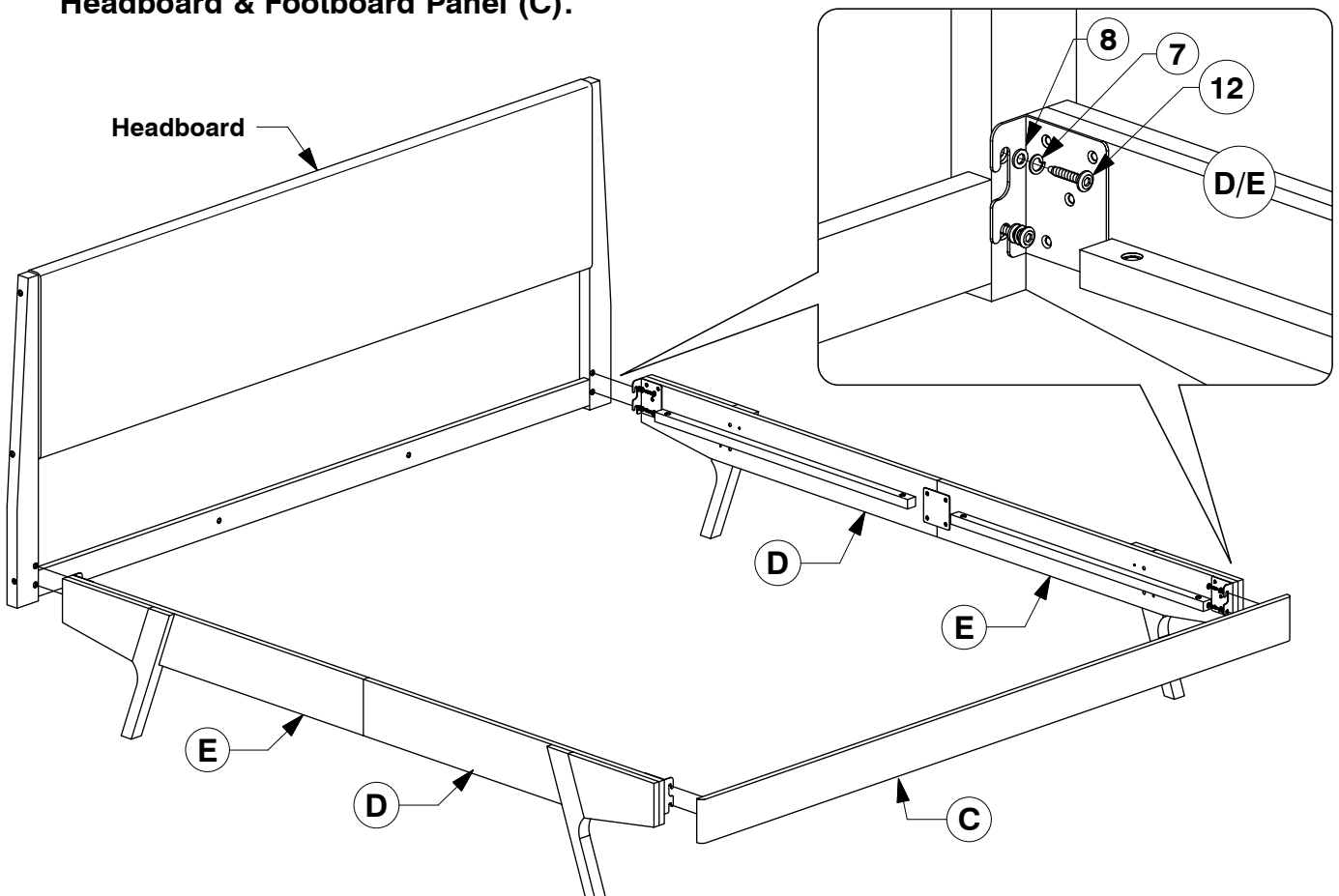
WI-0221

- 8** Fit the Bed Post (H & J) to the Side Rail (D & E).

x2



- 9** Assemble the Side Rail (D & E) to the Headboard & Footboard Panel (C).

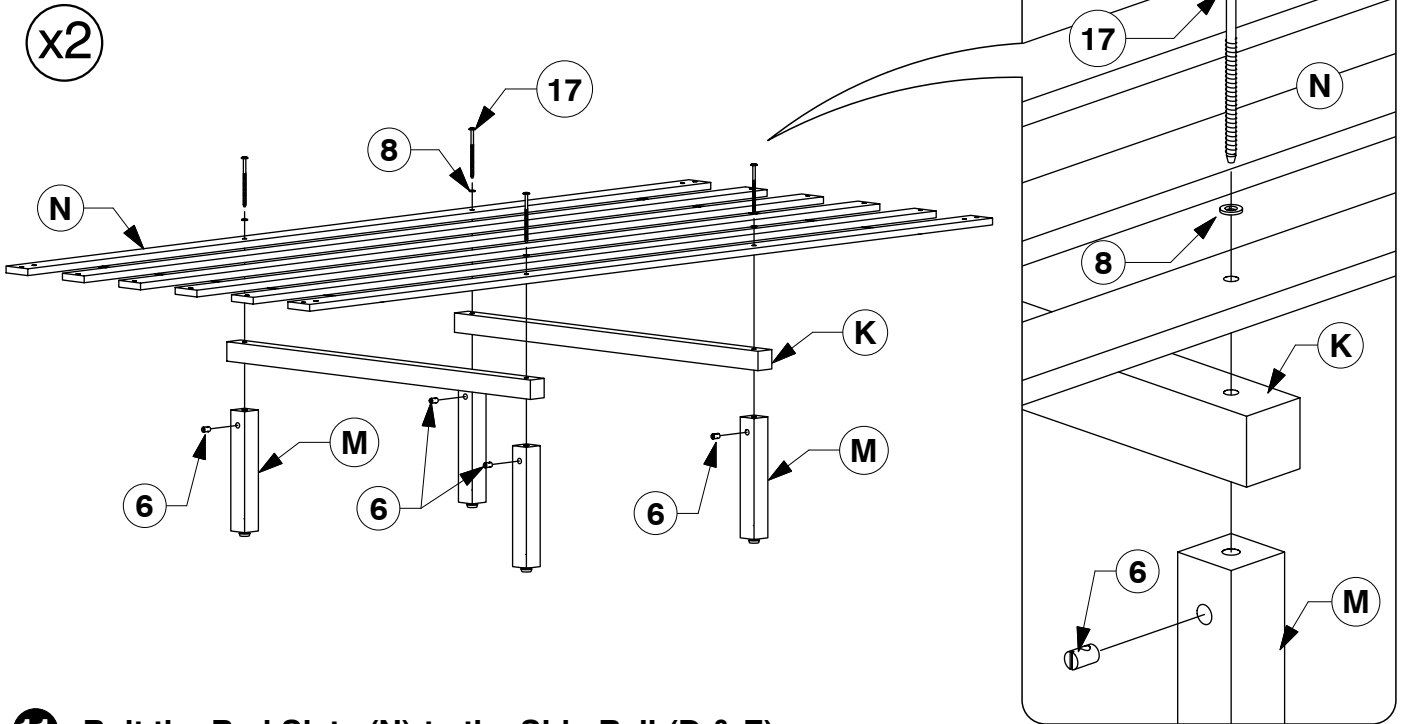


0008 S King Bed

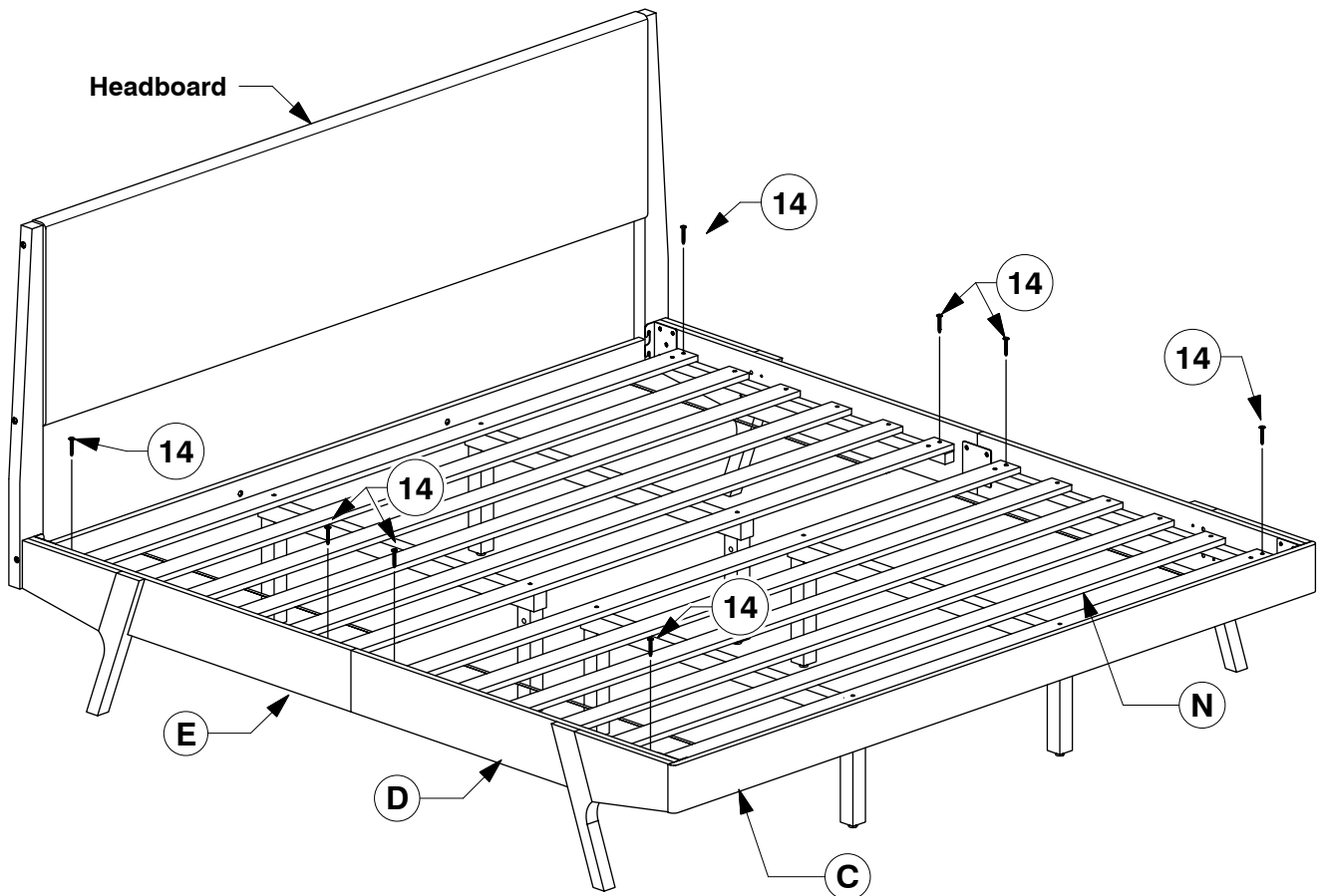
Assembly Instructions

WI-0221

- 10** Fit the Slats (N) to the Long Support (K) & Support Leg (M).



- 11** Bolt the Bed Slats (N) to the Side Rail (D & E).

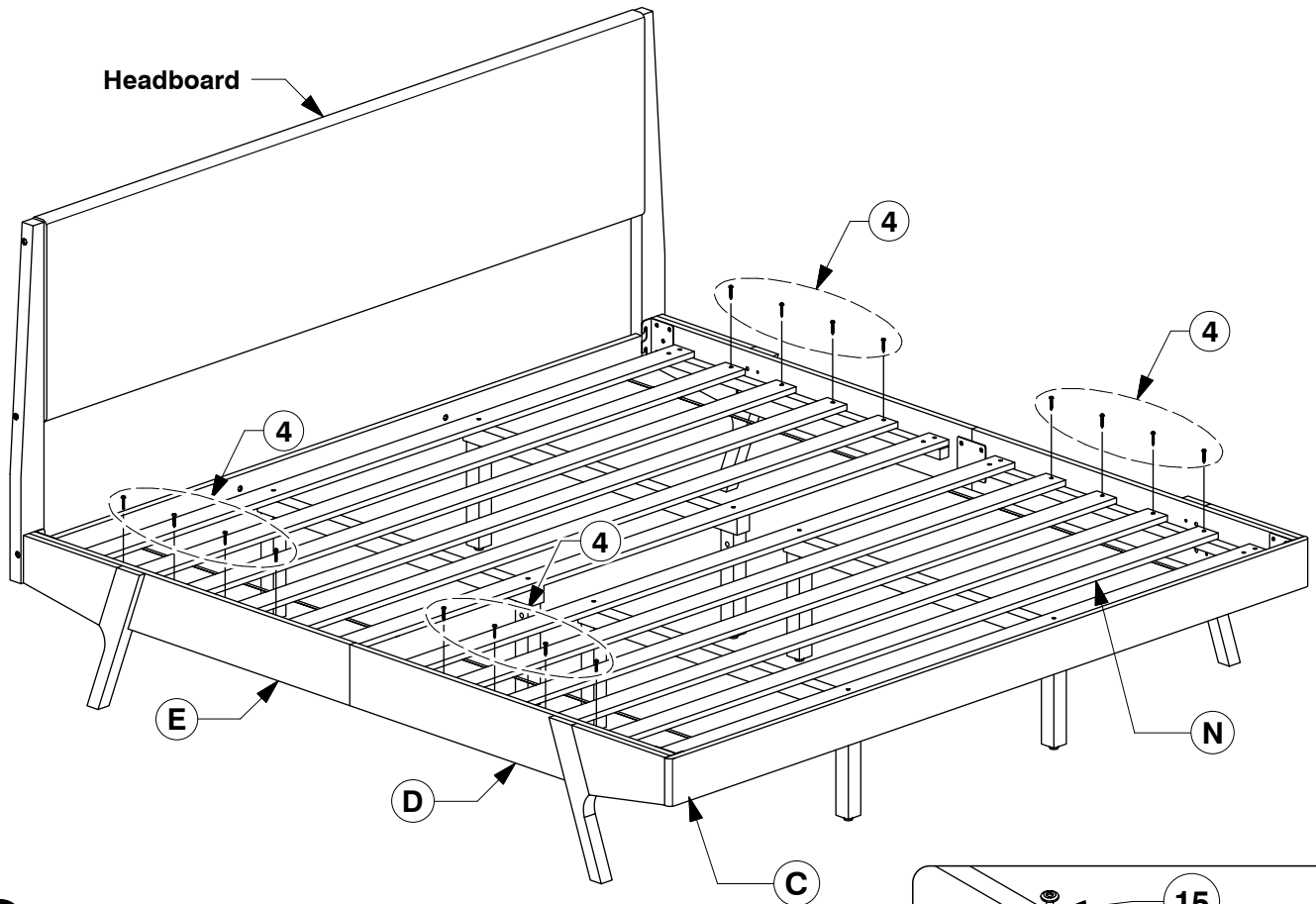


0008 S King Bed

Assembly Instructions

WI-0221

12 Screw the Bed Slats (N) to the Side Rail (D & E).



13 Lastly, fit the Support Bar (L) in place.

