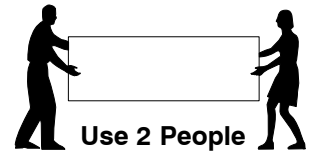
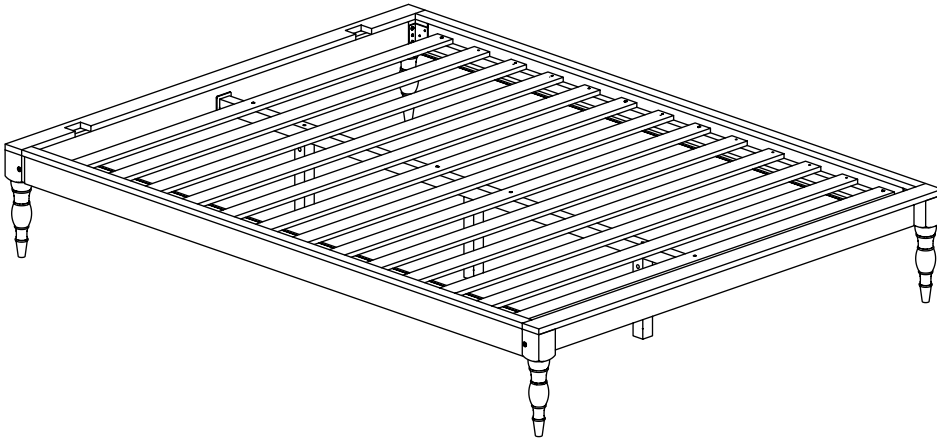


Queen Bed

Assembly Instructions

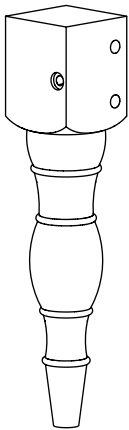
W11-0419

1 Assembled View

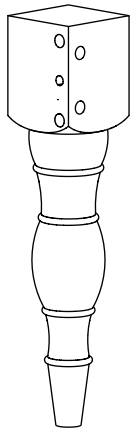


Note: Do not assemble using power tools. This can cause the bolts to be overtightened

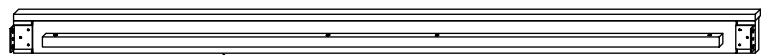
2 Parts List



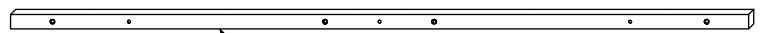
A
Post
(Left hand)
x 2



B
Post
(Right hand)
x 2



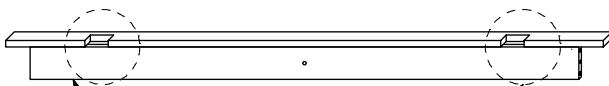
E Side Rail x 2



F Long Support x 1

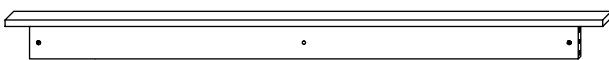


G Support
Leg x 3

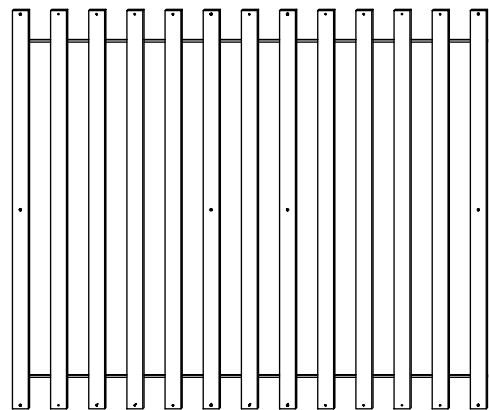


C Headboard
Panel x 1

Extra Holes



D Footboard Panel x 1



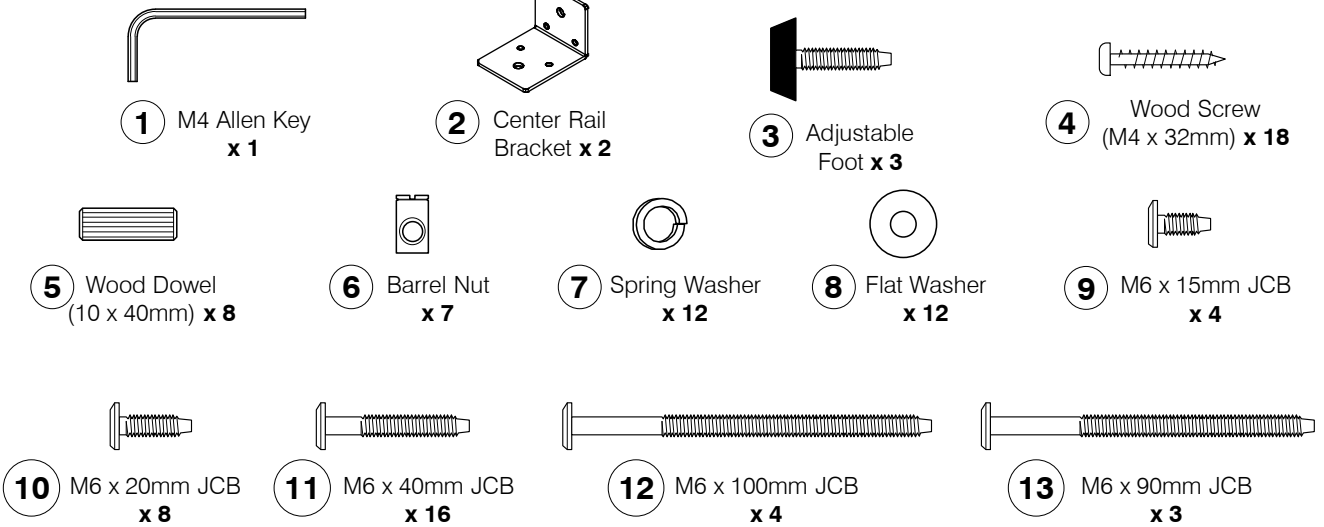
H Set of Bed Slats x 1

0005 Queen Bed

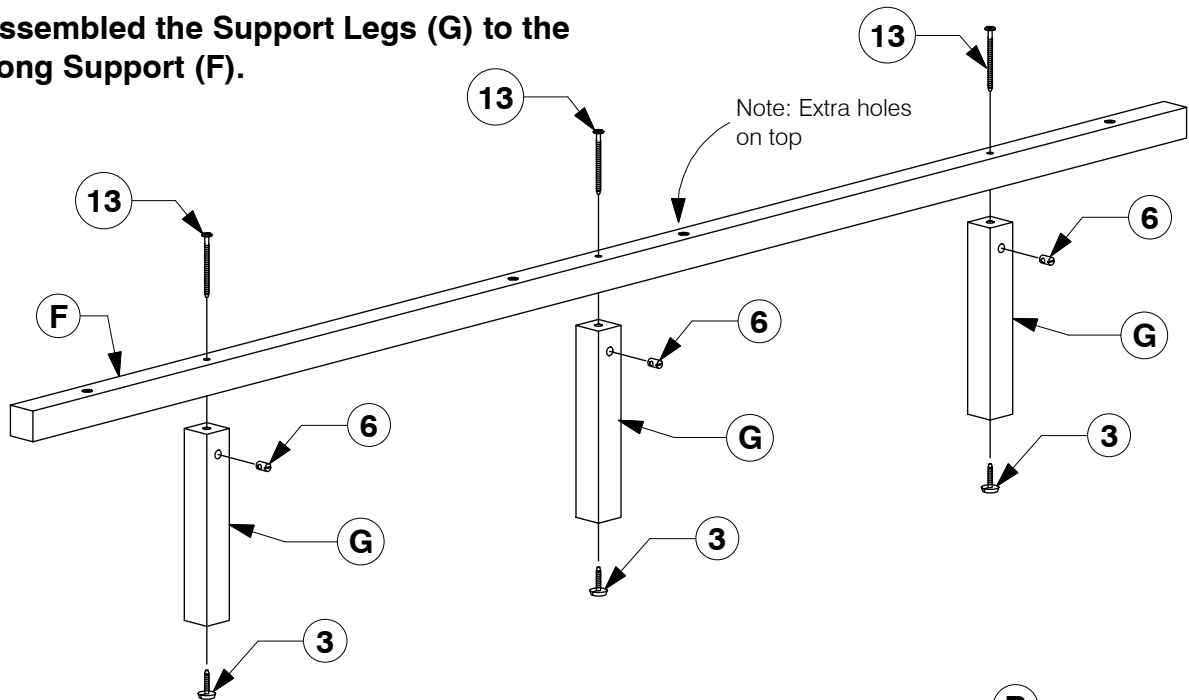
Assembly Instructions

WII-0419

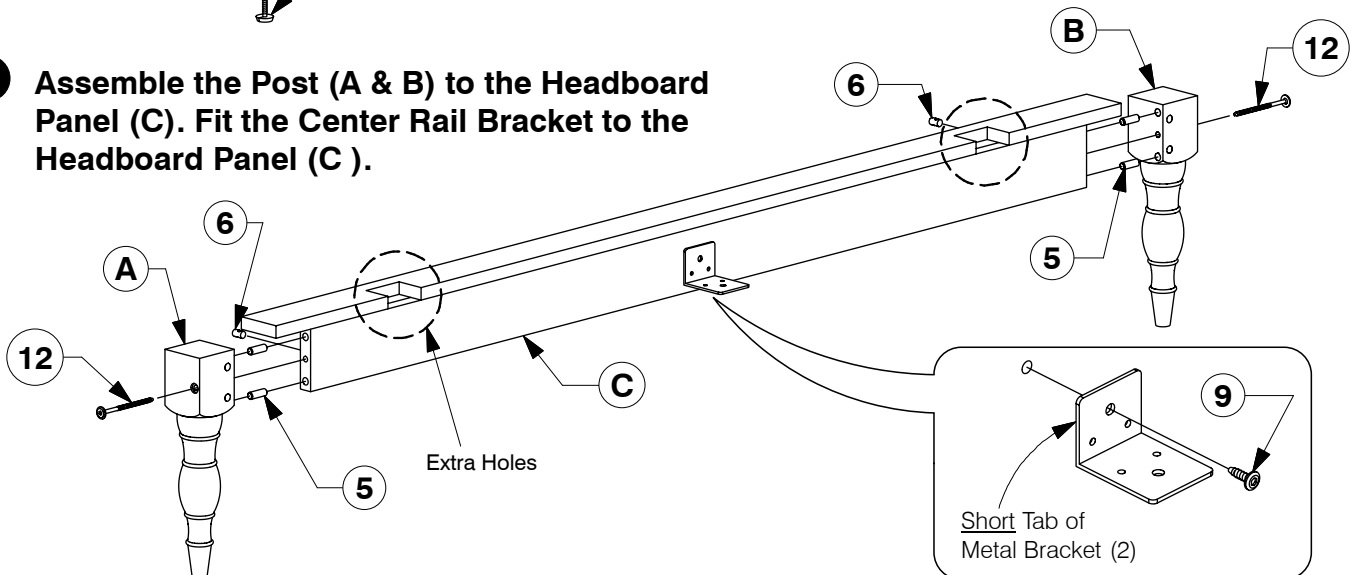
3 Hardware List



4 Assembled the Support Legs (G) to the Long Support (F).



5 Assemble the Post (A & B) to the Headboard Panel (C). Fit the Center Rail Bracket to the Headboard Panel (C).

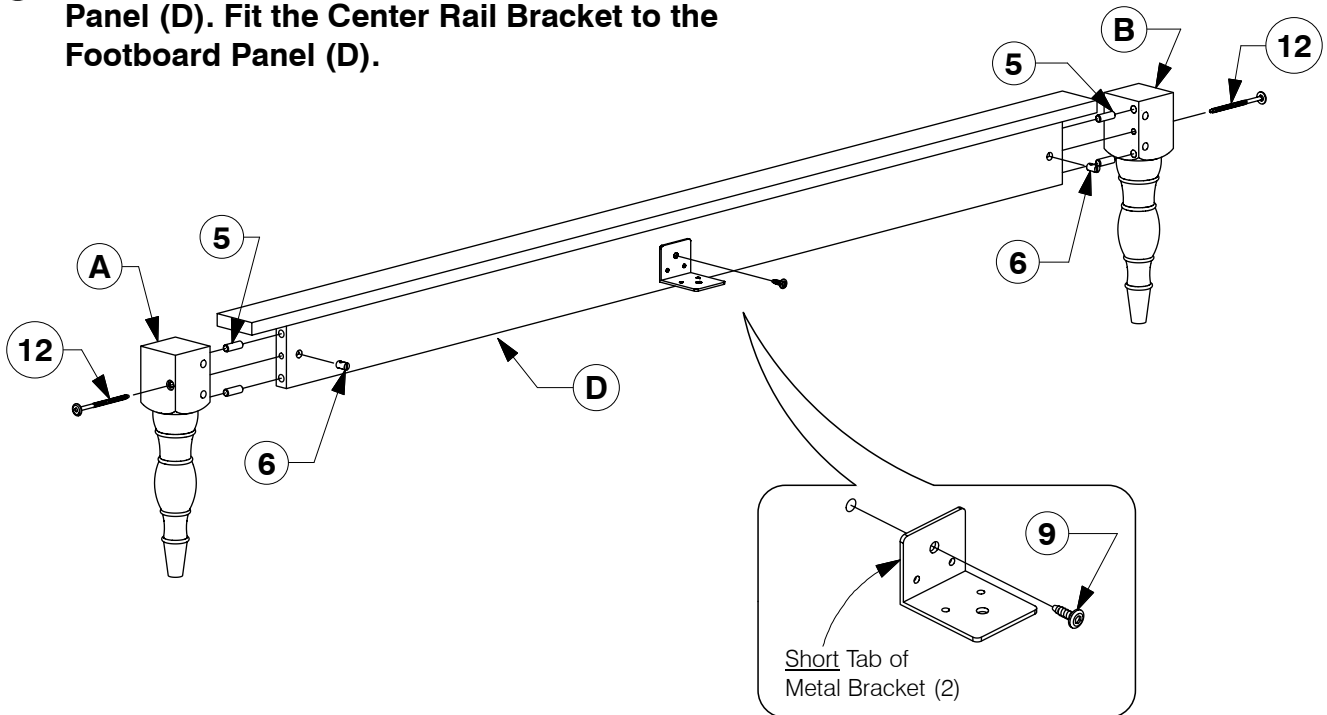


0005 Queen Bed

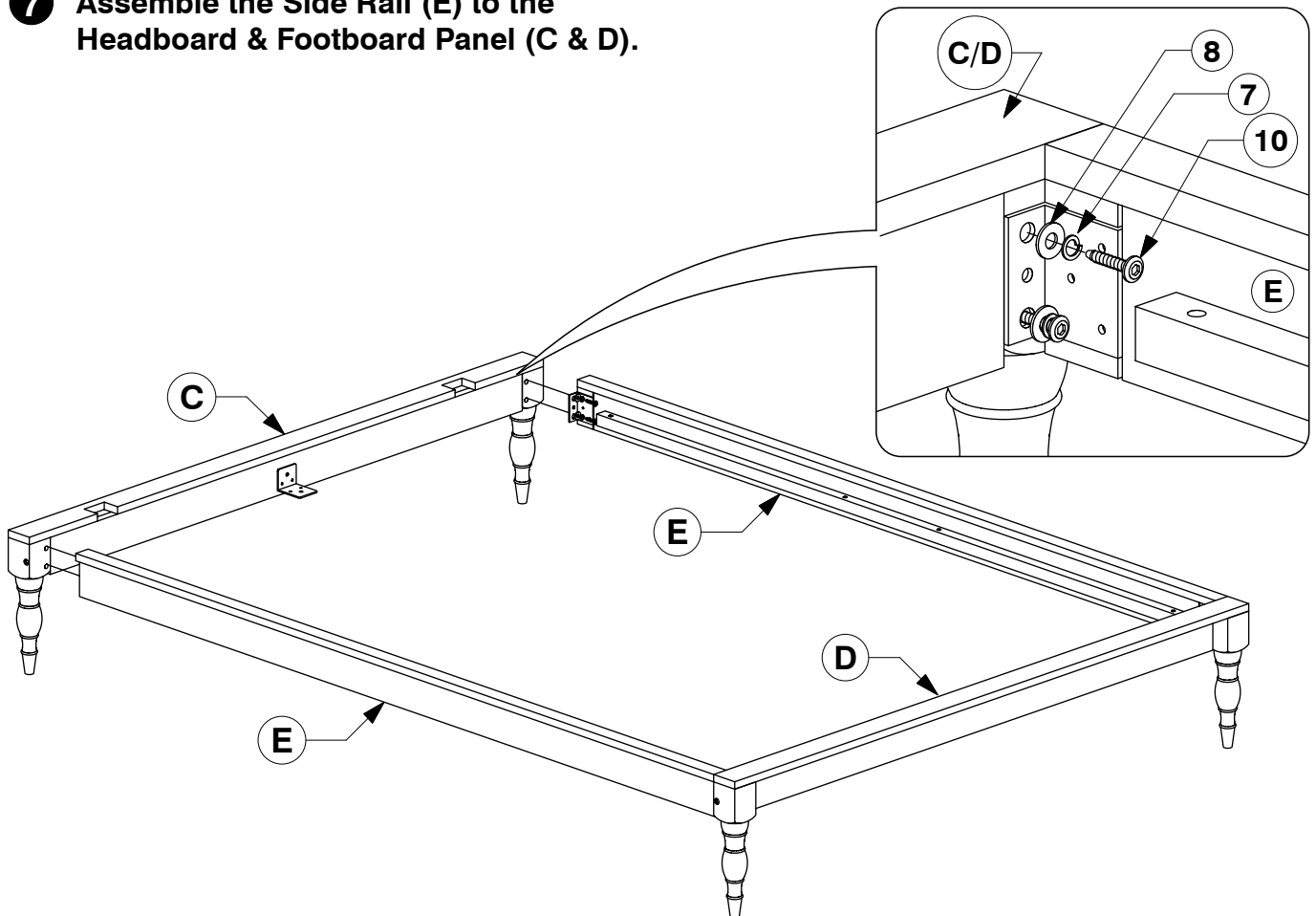
Assembly Instructions

WII-0419

- 6** Assemble the Post (A & B) to the Footboard Panel (D). Fit the Center Rail Bracket to the Footboard Panel (D).



- 7** Assemble the Side Rail (E) to the Headboard & Footboard Panel (C & D).

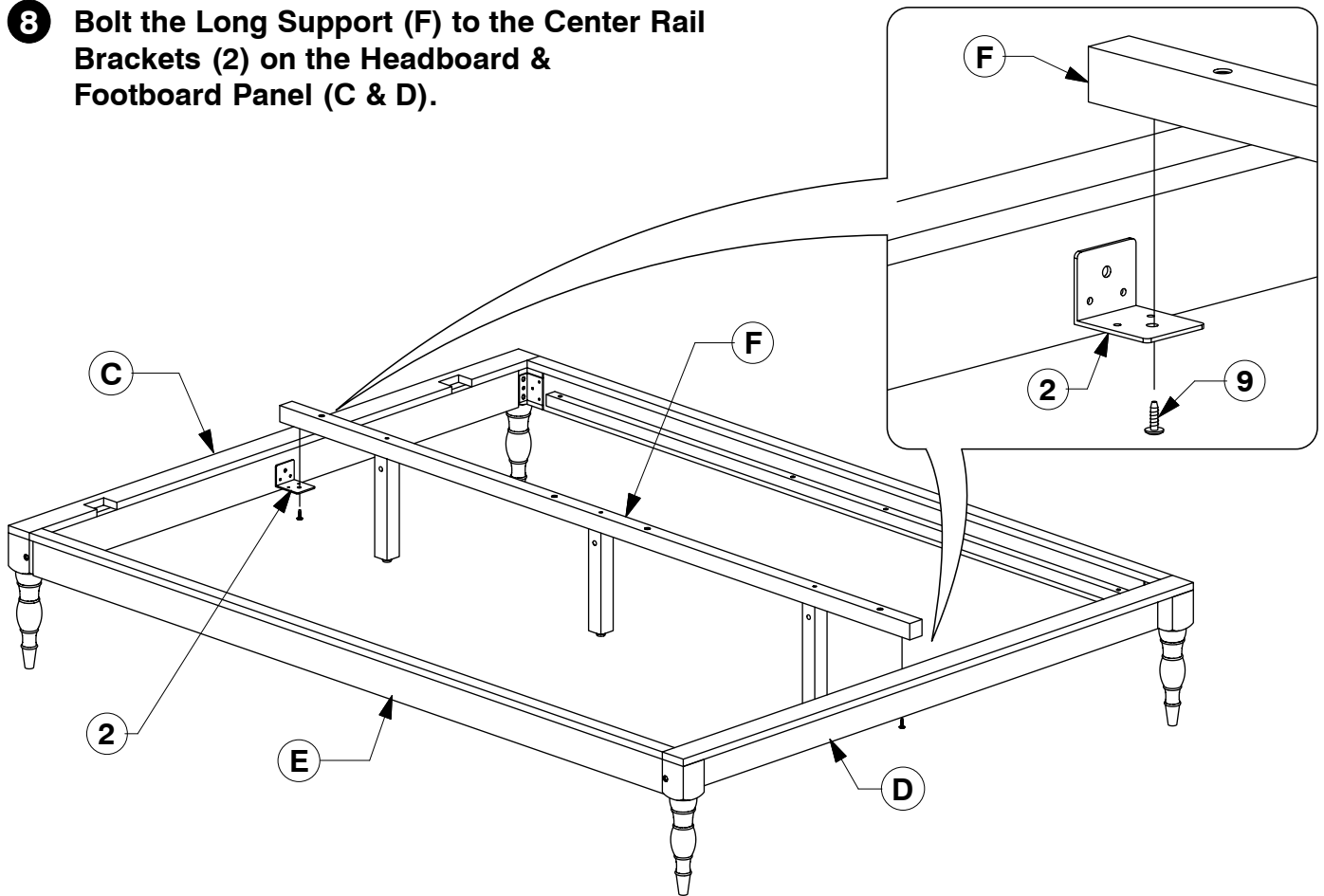


0005 Queen Bed

Assembly Instructions

WII-0419

- 8 Bolt the Long Support (F) to the Center Rail Brackets (2) on the Headboard & Footboard Panel (C & D).**



- 9 Bolt & screw the Bed Slats (H) to the Side Rail (E).**

