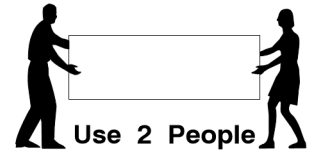
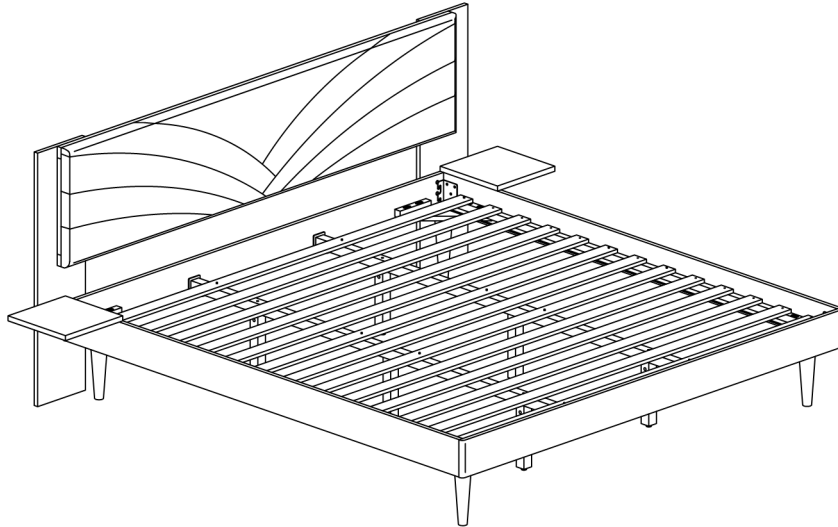


# 0222 King Bed

## Assembly Instructions

WI-0723

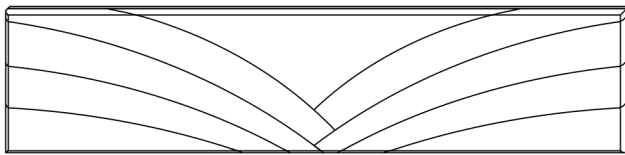
### 1 Assembled View



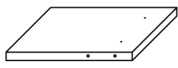
**Note:** Do not assemble using power tools. This can cause the bolts to be overtightened

### 2 Parts List

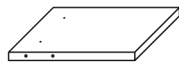
#### Parts in Box A:



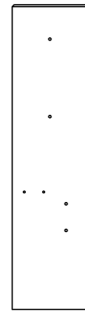
**A** Headboard Panel x 1



**B** Shelf Panel (Left Hand) x 1



**C** Shelf Panel (Right Hand) x 1



**D** Headboard Side Panel (Left Hand) x 1

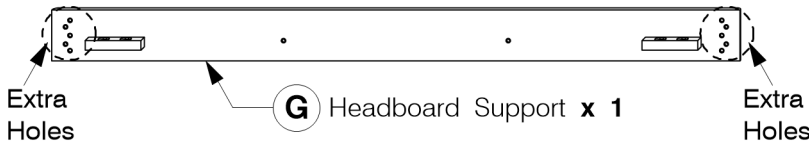


**E** Headboard Side Panel (Right Hand) x 1

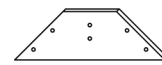


**F** Post x 4

#### Parts in Box B:



**G** Headboard Support x 1



**L** Support Panel x 4



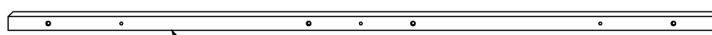
**M** Support Leg x 6



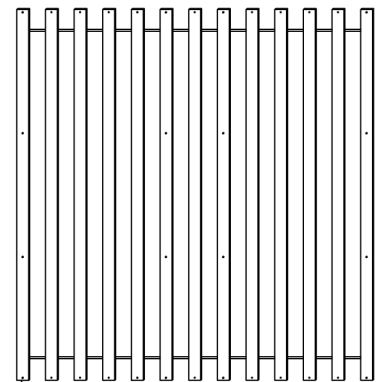
**H** Footboard Support x 1



**J** Side Rail x 2



**K** Long Support x 2



**N** Set of Bed Slats x 1

# 0222 King Bed

## Assembly Instructions

WI-0723

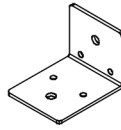
### 3 Hardware List



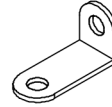
1 M4 Allen Key  
x 1



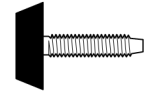
2 M5 Allen Key  
x 1



3 Center Rail  
Bracket x 4



4 'L' Bracket  
(5003) x 4



5 Adjustable  
Foot x 6



6 Barrel Nut  
x 6



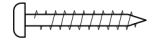
7 Spring Washer  
x 32



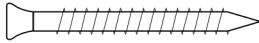
8 Flat Washer  
x 32



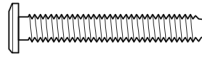
9 Wood Screw  
(M4 x 16mm)  
x 8



10 Wood Screw  
(M4 x 32mm)  
x 18



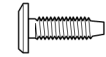
11 CSK Cap Wood Screw  
(M6 x 50mm) x 4



12 M8 x 50mm JCB  
x 8



13 M6 x 15mm JCB  
x 8



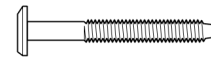
14 M6 x 20mm JCB  
x 8



15 M6 x 35mm JCB  
x 4



16 M6 x 40mm JCB  
x 20

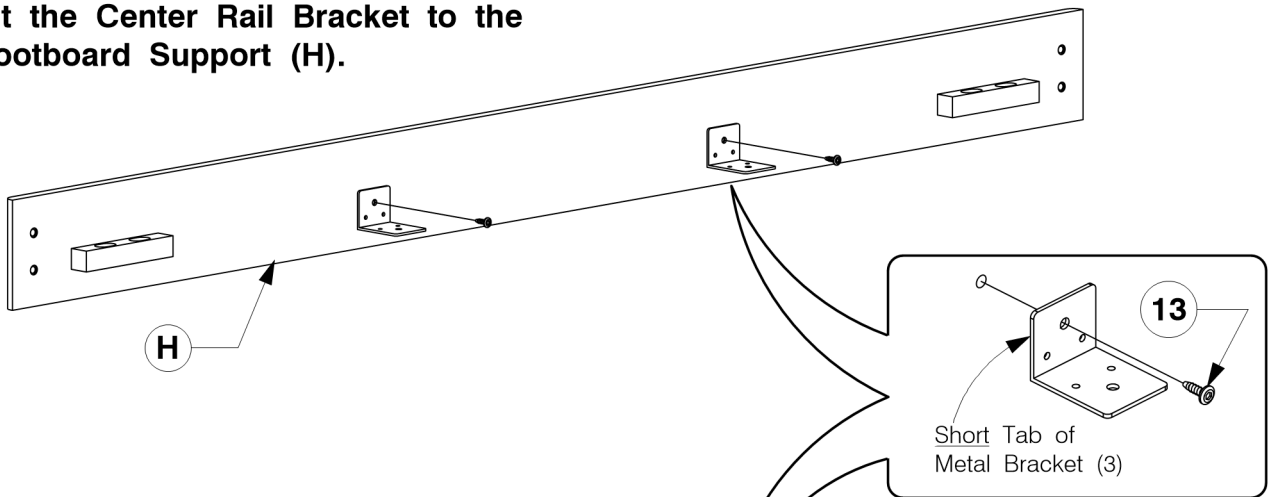


17 M6 x 50mm JCB  
x 16

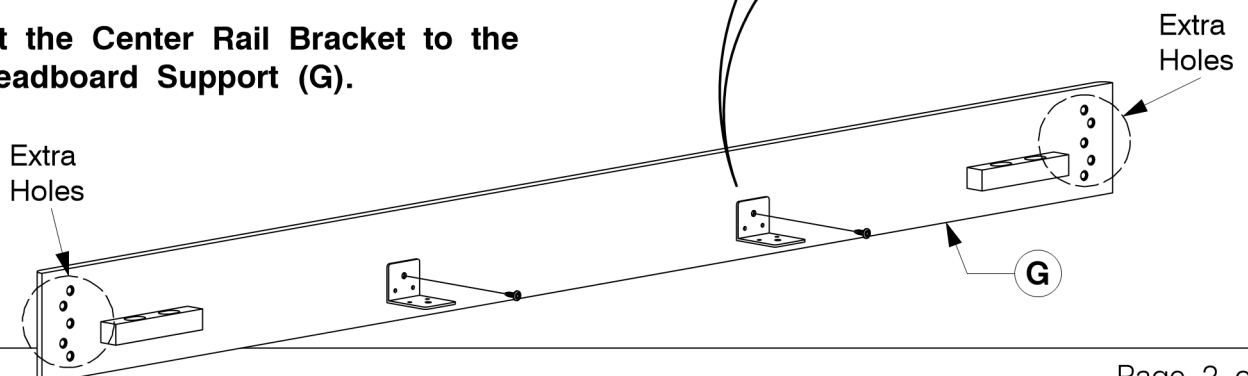


18 M6 x 90mm JCB  
x 6

### 4 Fit the Center Rail Bracket to the Footboard Support (H).



### 5 Fit the Center Rail Bracket to the Headboard Support (G).

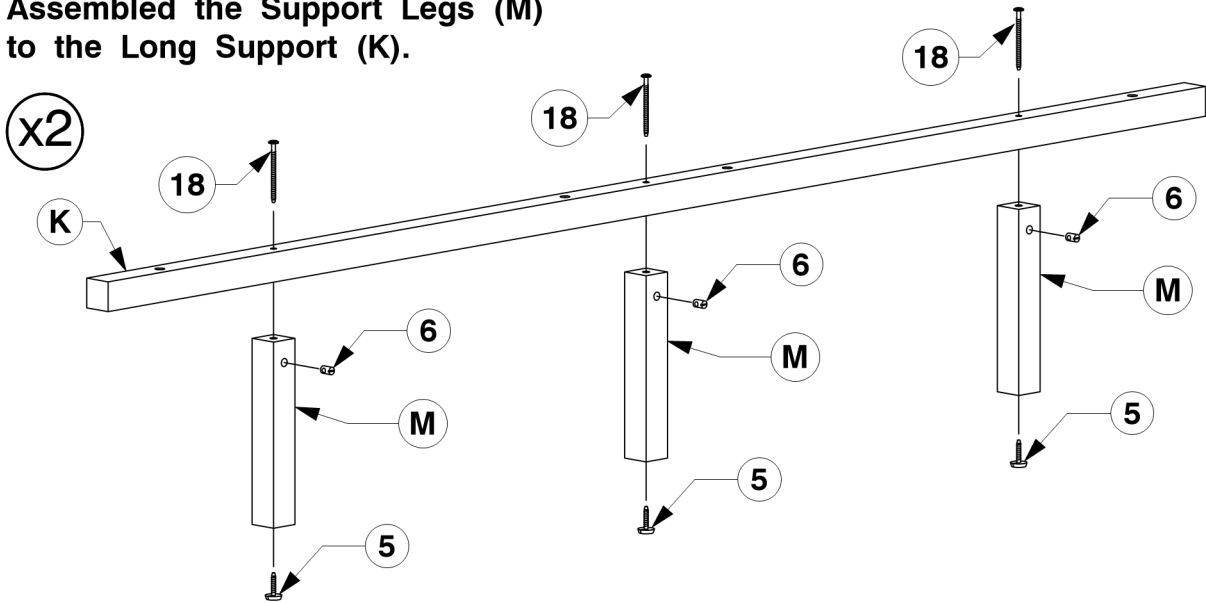


# 0222 King Bed

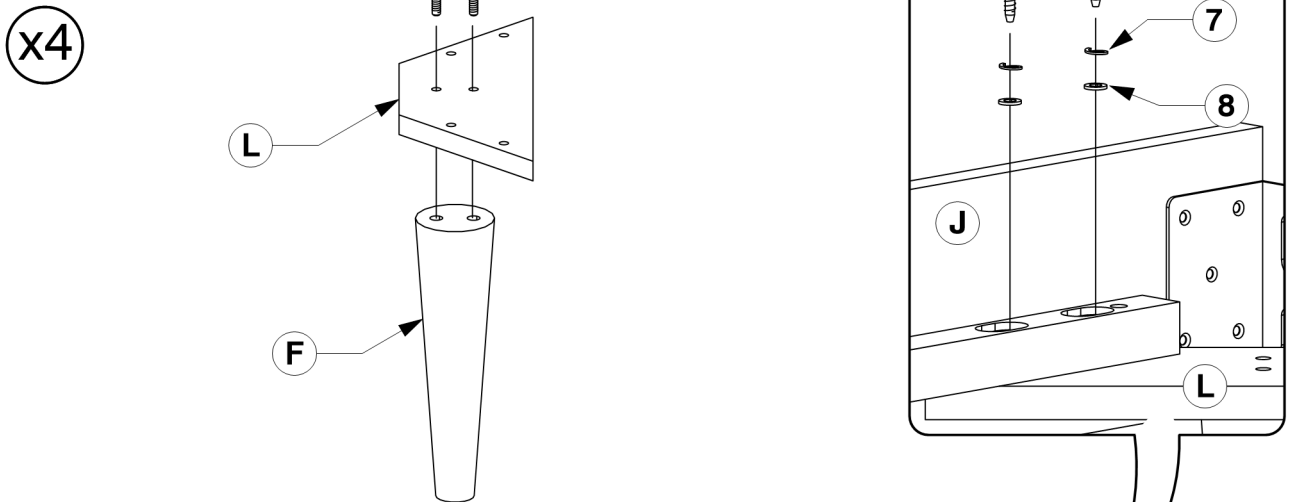
Assembly Instructions

WI-0723

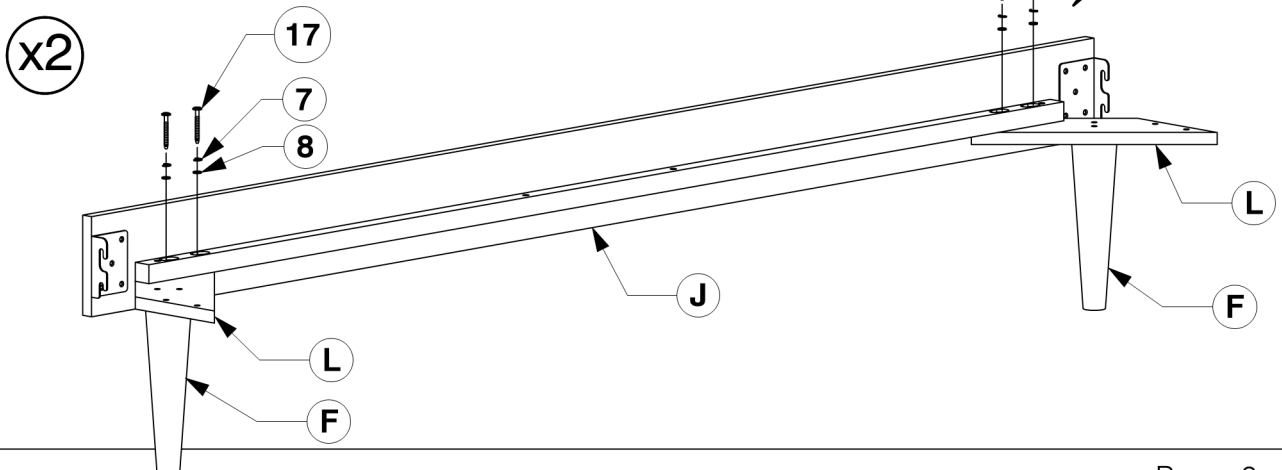
- 6** Assembled the Support Legs (M) to the Long Support (K).



- 7** Fit the Post (F) to the Support Panel (L).



- 8** Bolt the assembled Support Panel (L) to the Side Rail (J).

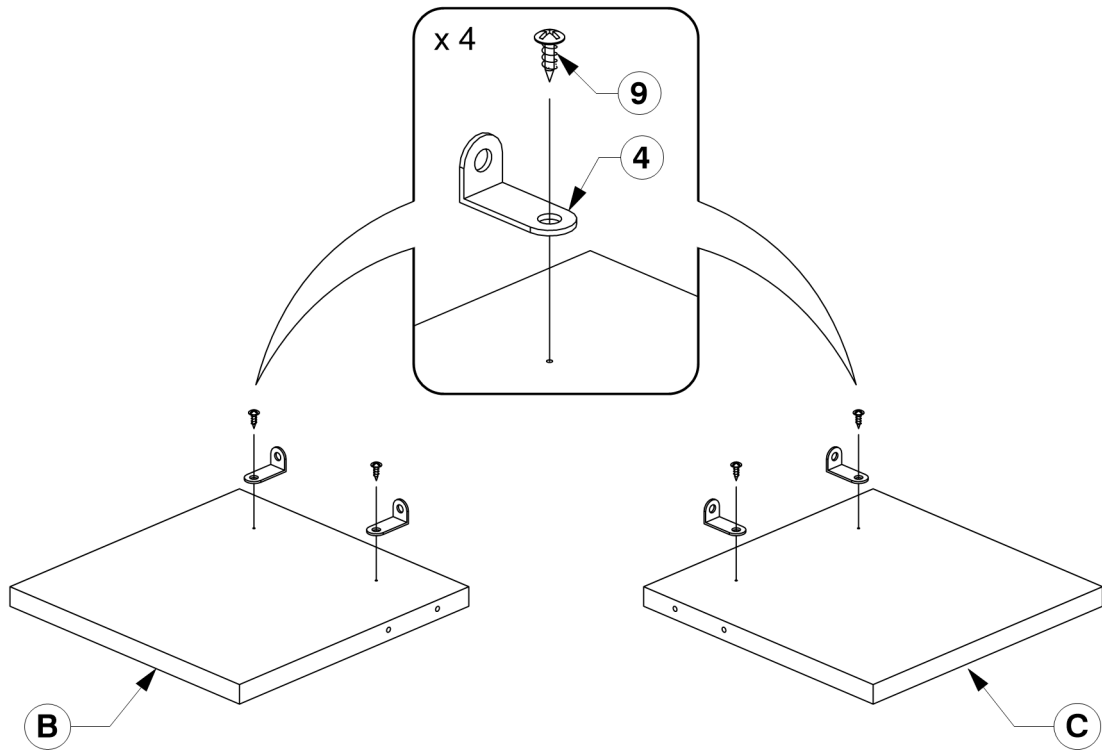


# 0222 King Bed

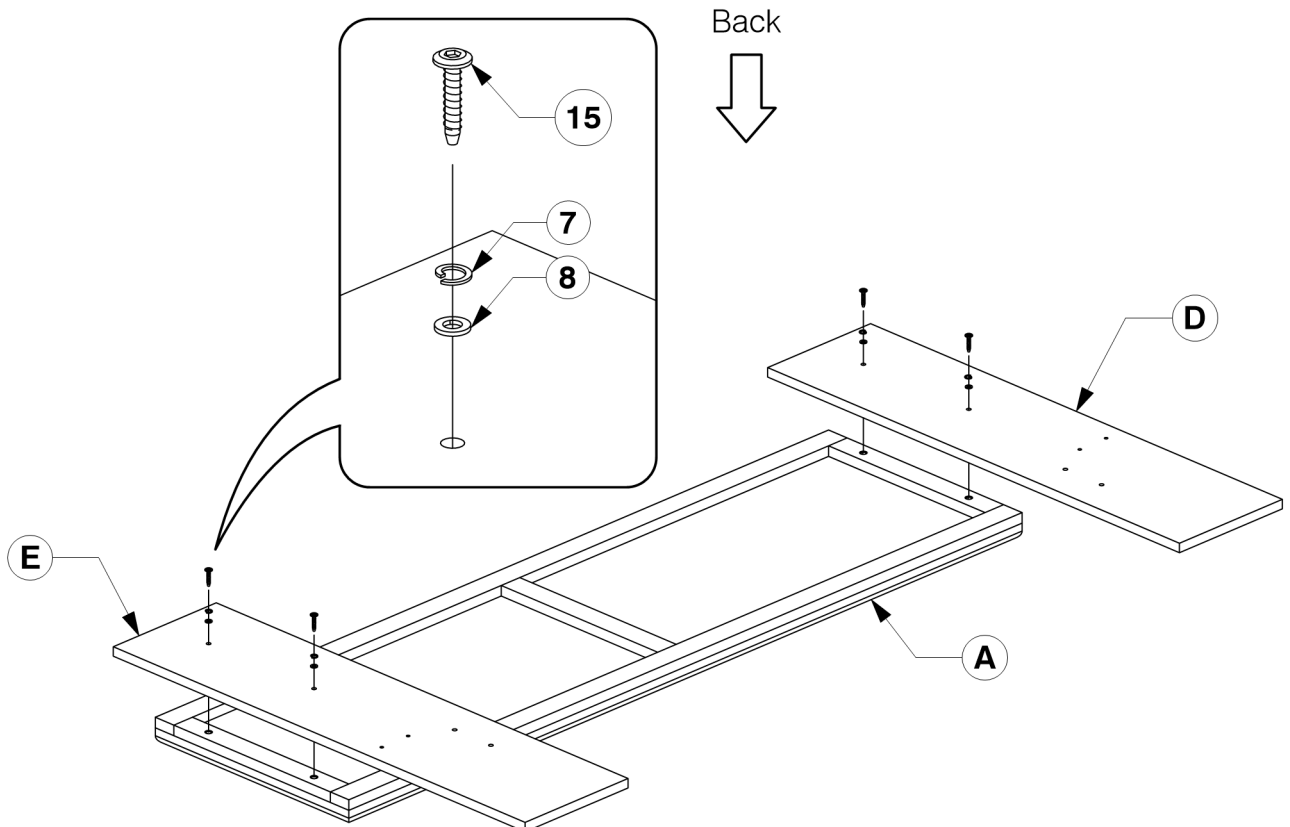
Assembly Instructions

WI-0723

## 9 Fit the 'L' Bracket to the Shelf Panels (B & C).



## 10 Assemble the Headboard Side Panels (D & E) to the Headboard Panel (A).

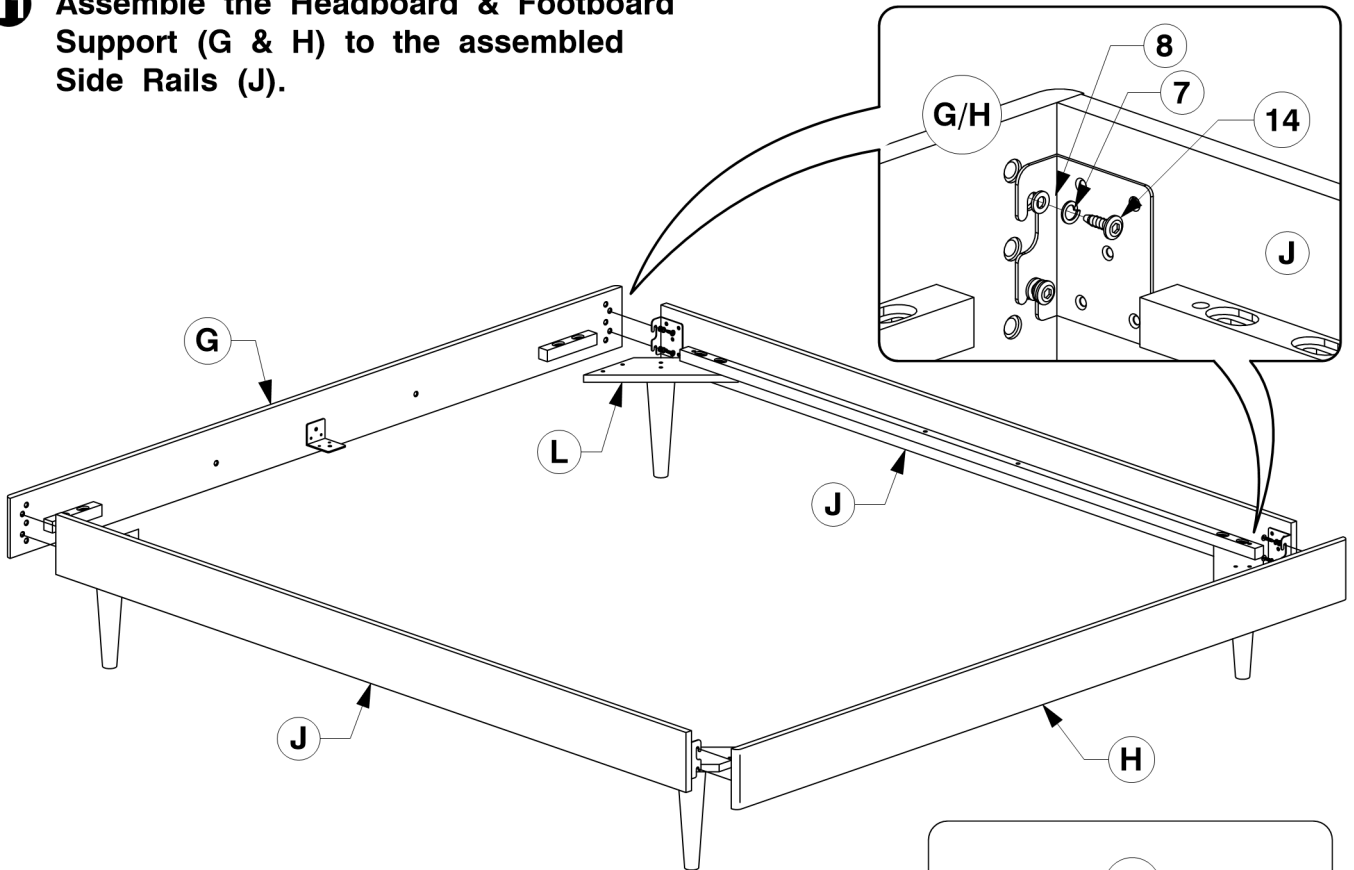


# 0222 King Bed

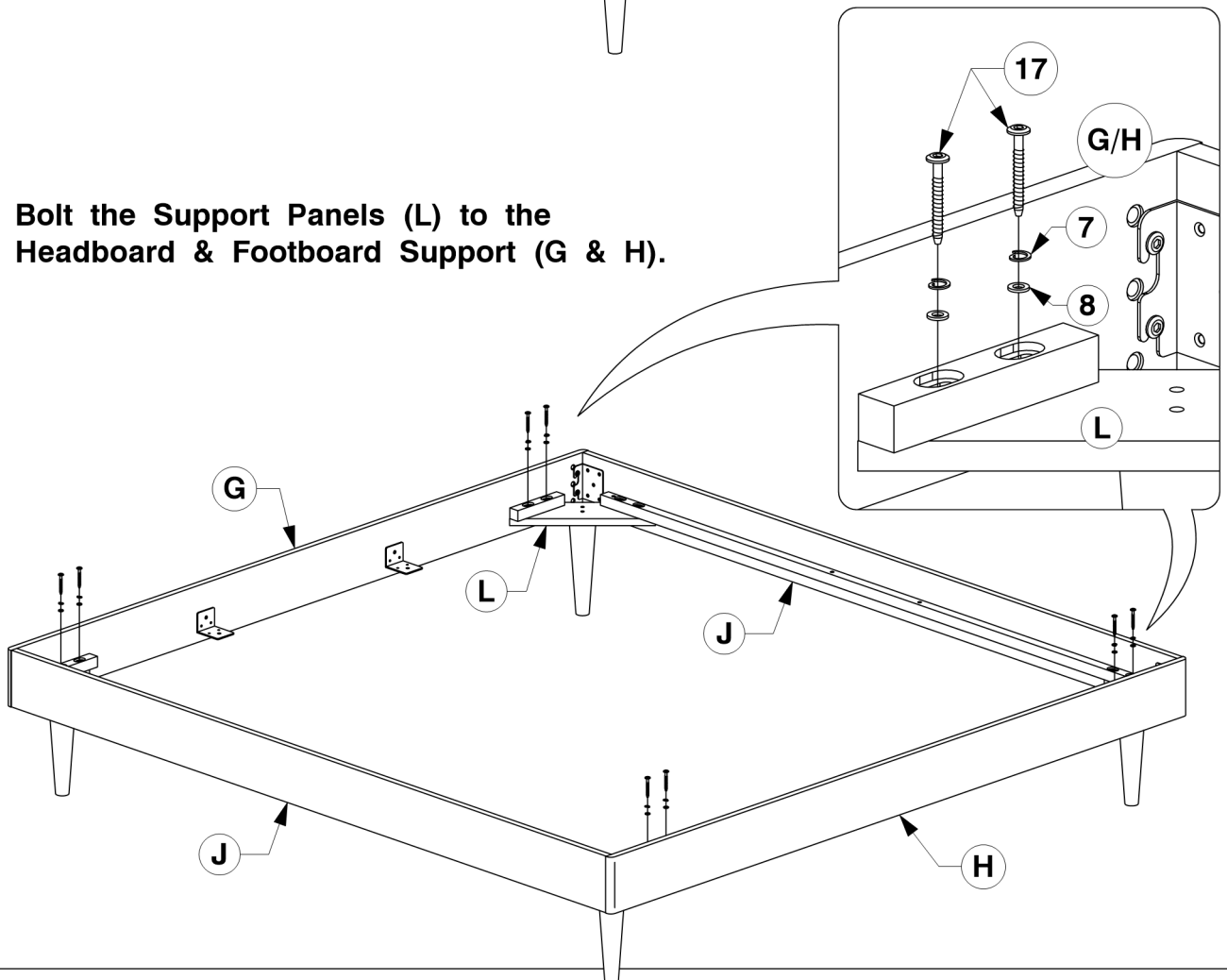
Assembly Instructions

WI-0723

- 11** Assemble the Headboard & Footboard Support (G & H) to the assembled Side Rails (J).



- 12** Bolt the Support Panels (L) to the Headboard & Footboard Support (G & H).

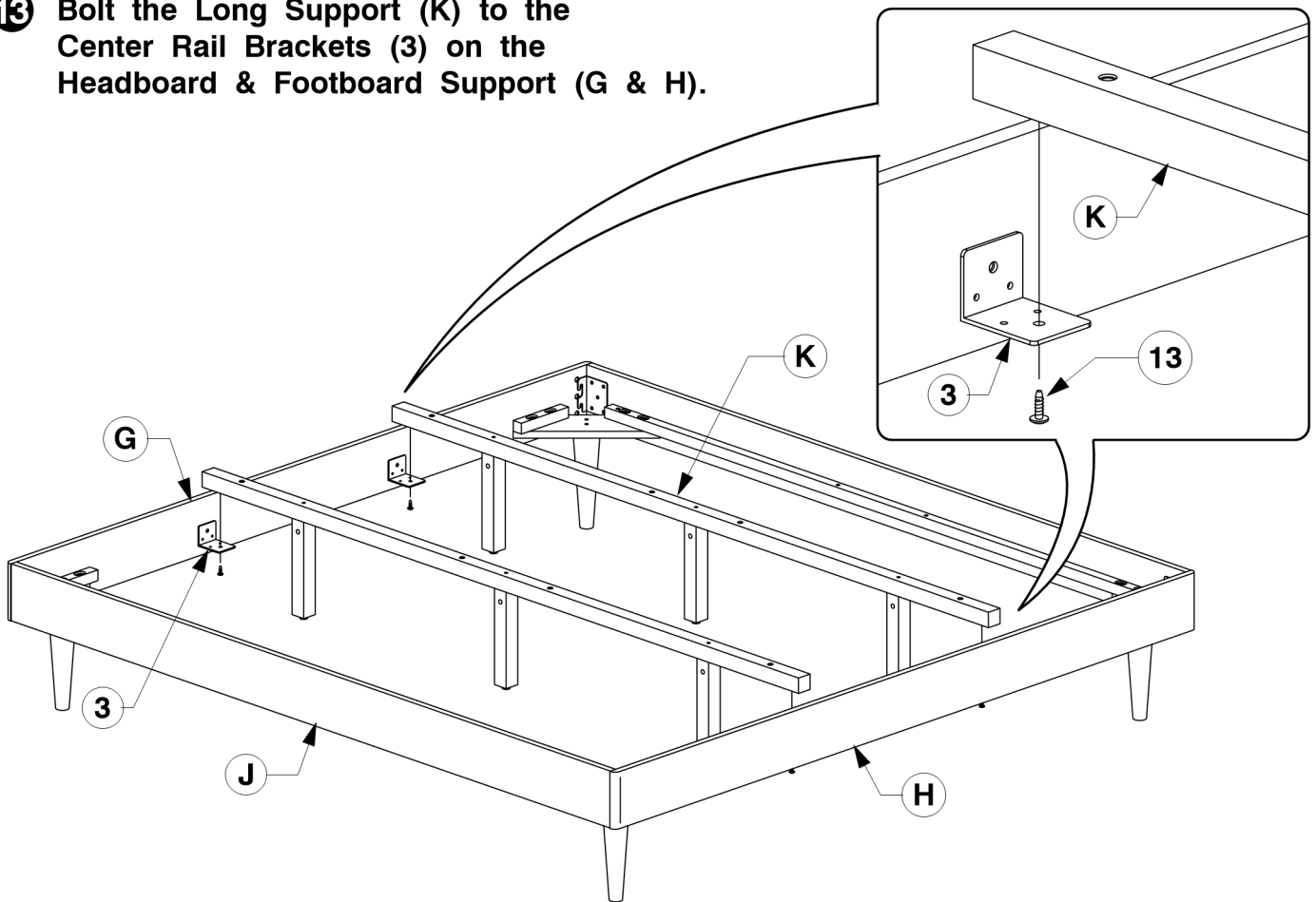


# 0222 King Bed

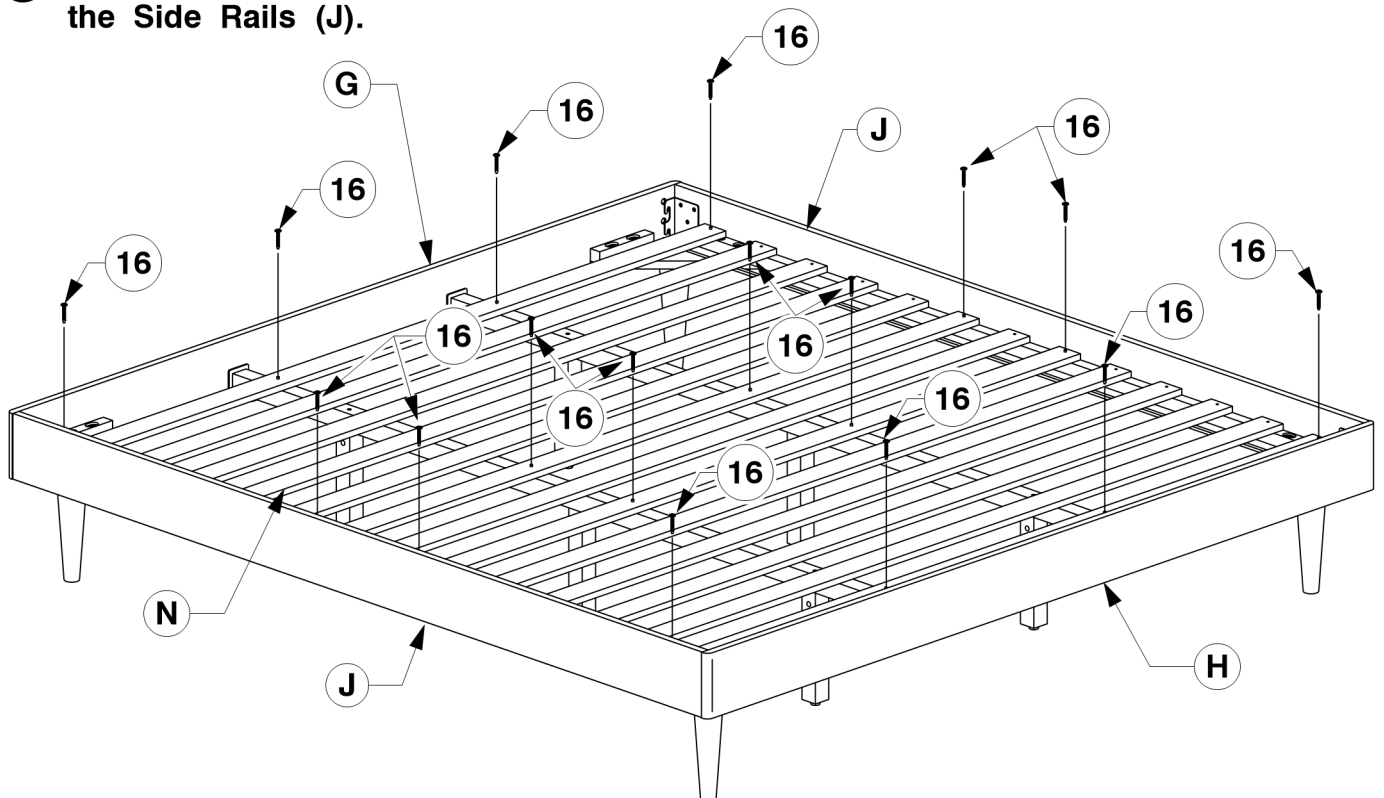
Assembly Instructions

WI-0723

- 13** Bolt the Long Support (K) to the Center Rail Brackets (3) on the Headboard & Footboard Support (G & H).



- 14** Bolt the Bed Slats (N) to the Side Rails (J).

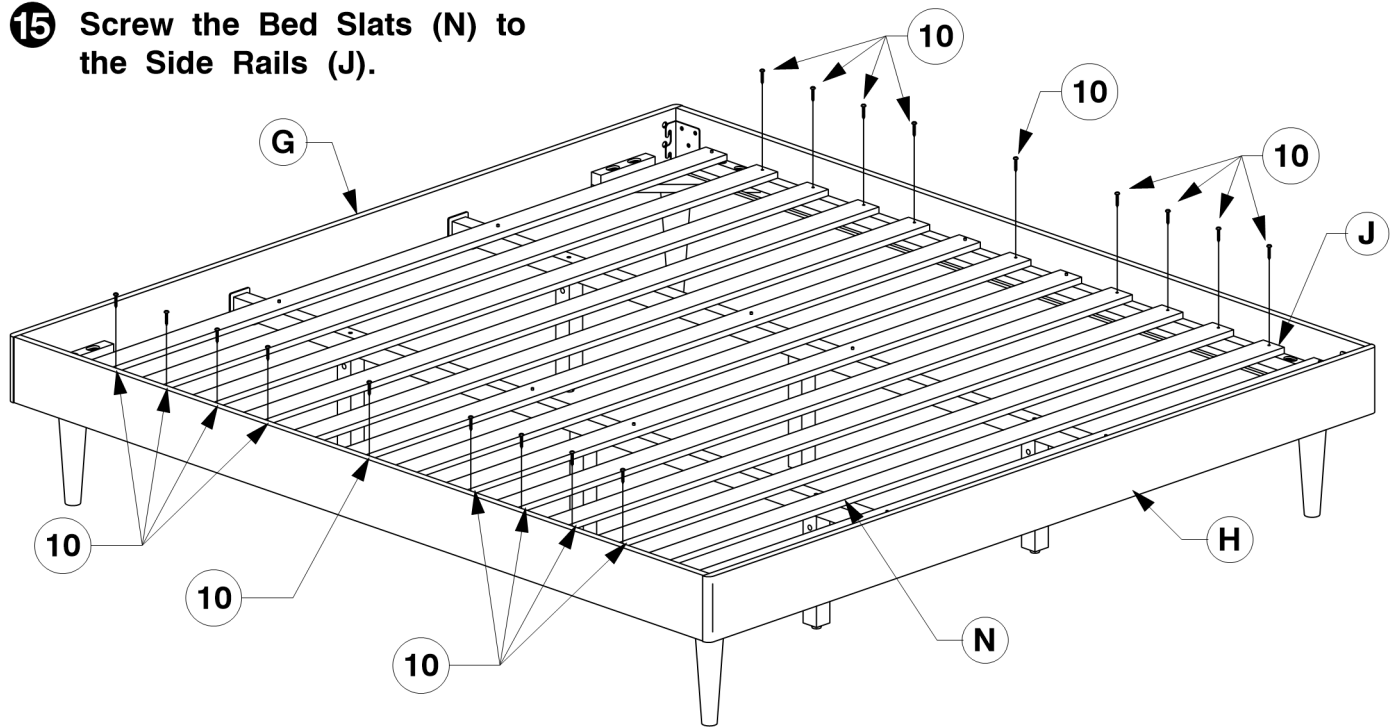


# 0222 King Bed

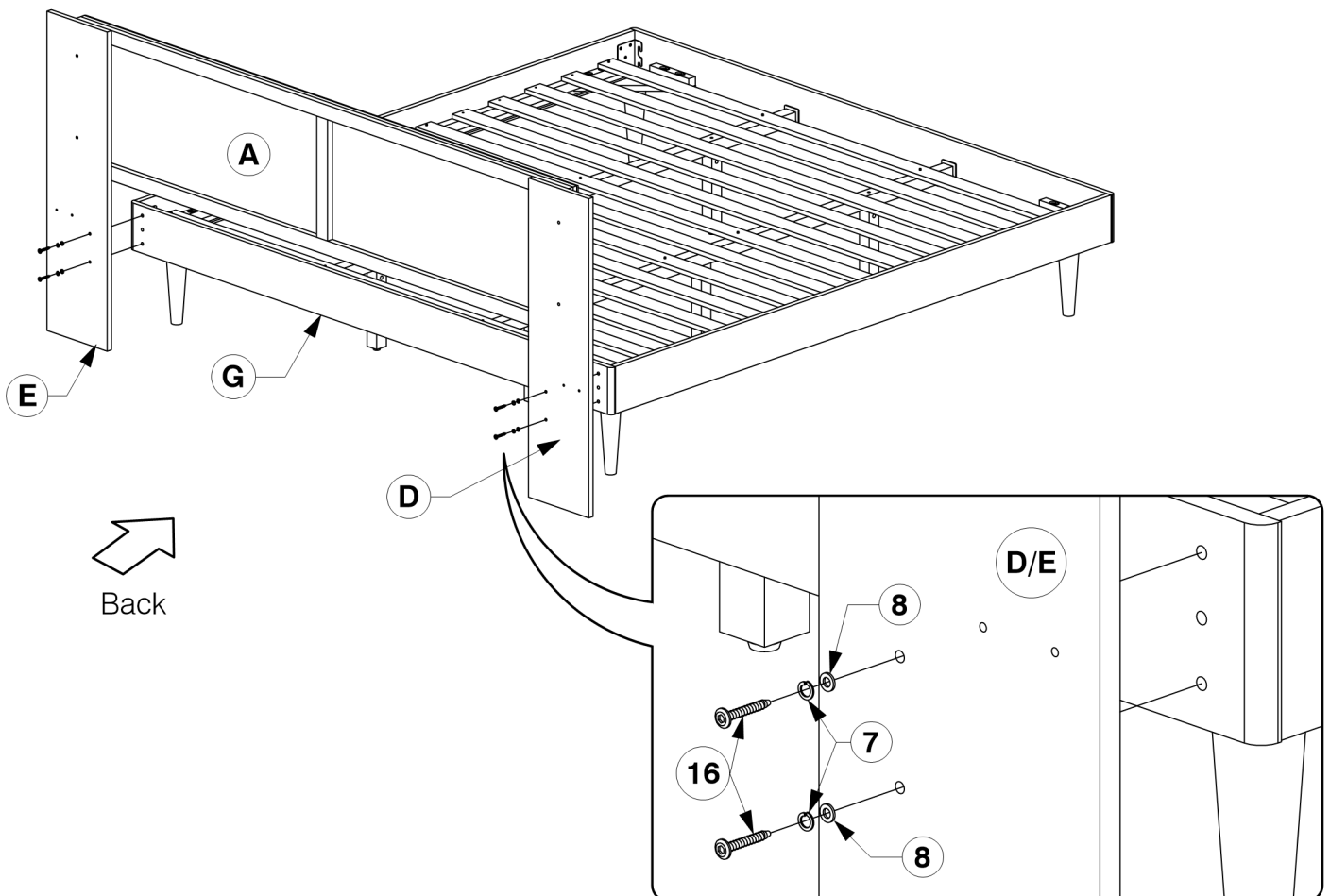
Assembly Instructions

WI-0723

- 15** Screw the Bed Slats (N) to the Side Rails (J).



- 16** Assemble the Headboard Side Panels (D & E) to the Headboard Support (G).

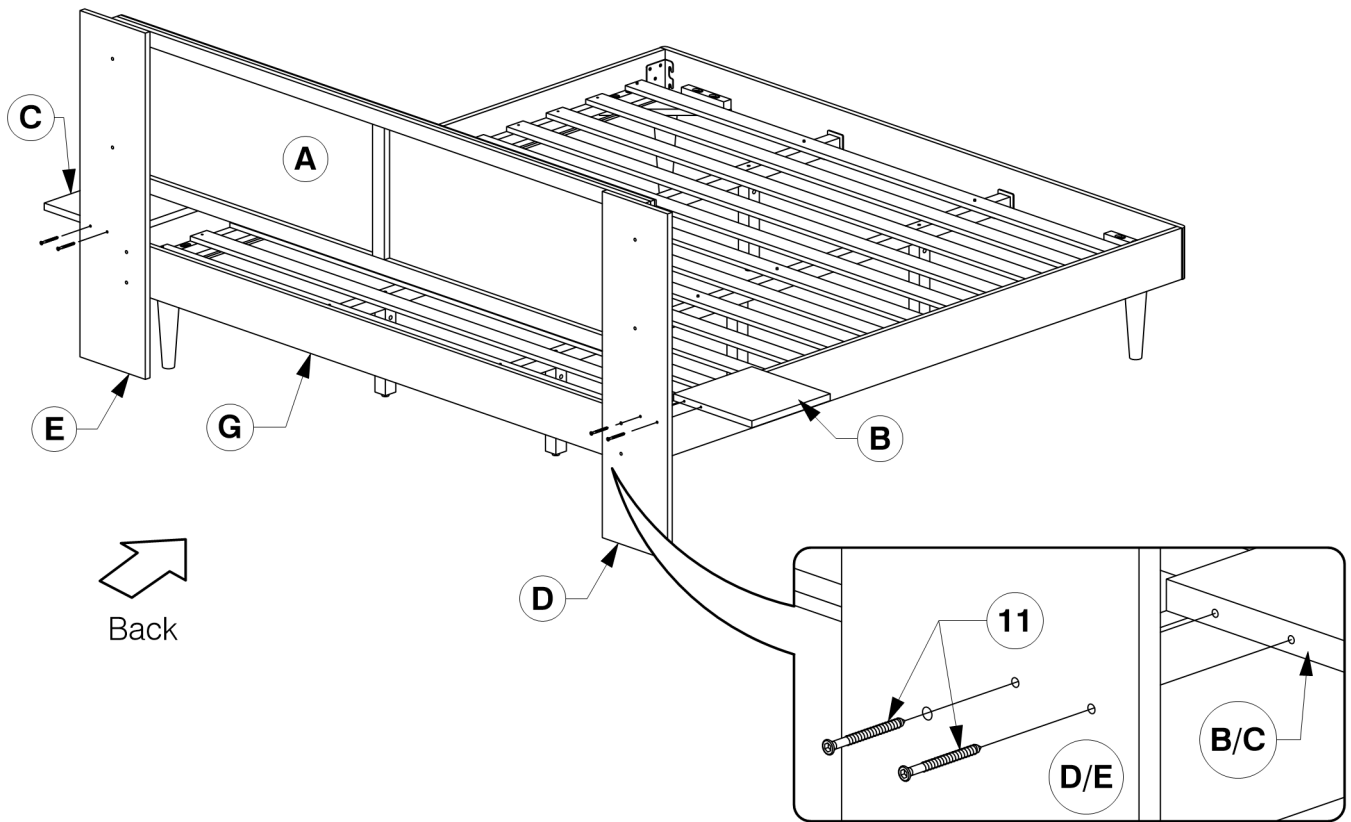


# 0222 King Bed

Assembly Instructions

WI-0723

- 17** Fit the Shelf Panels (B & C) to the Headboard Side Panels (D & E).



- 18** Tighten the Shelf Panels (B & C) with screws on both sides.

