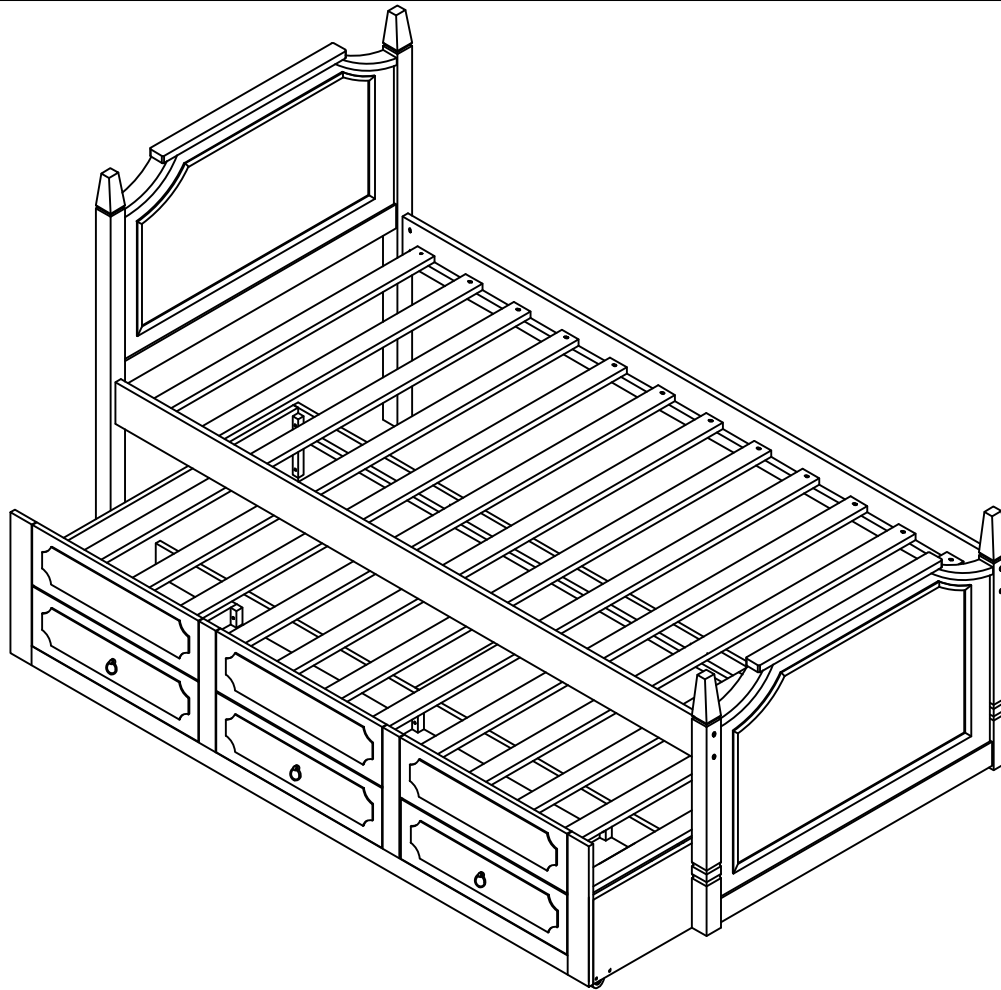


MARIANA CAPTAIN BED



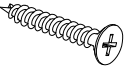
ASSEMBLY TIPS

1. Remove hardware from box and sort by size.
2. Please ensure that all hardware and parts are presented prior start of assembly.
3. Please follow attached instruction in the same sequence as numbered to assure fast and easy assembly



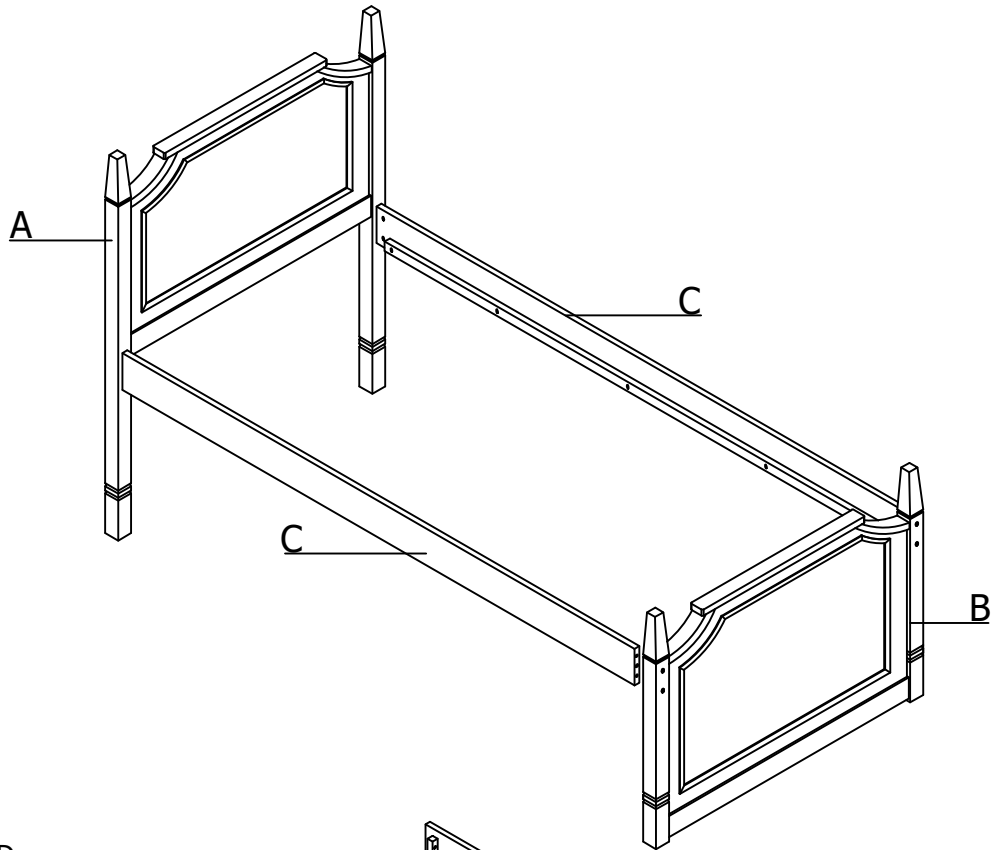
WARNING !

1. Don't attempt to repair or modify part that are broken or defective. Please contact with the store immediately.
2. This product is for home use only and not intended for commercial establishment.

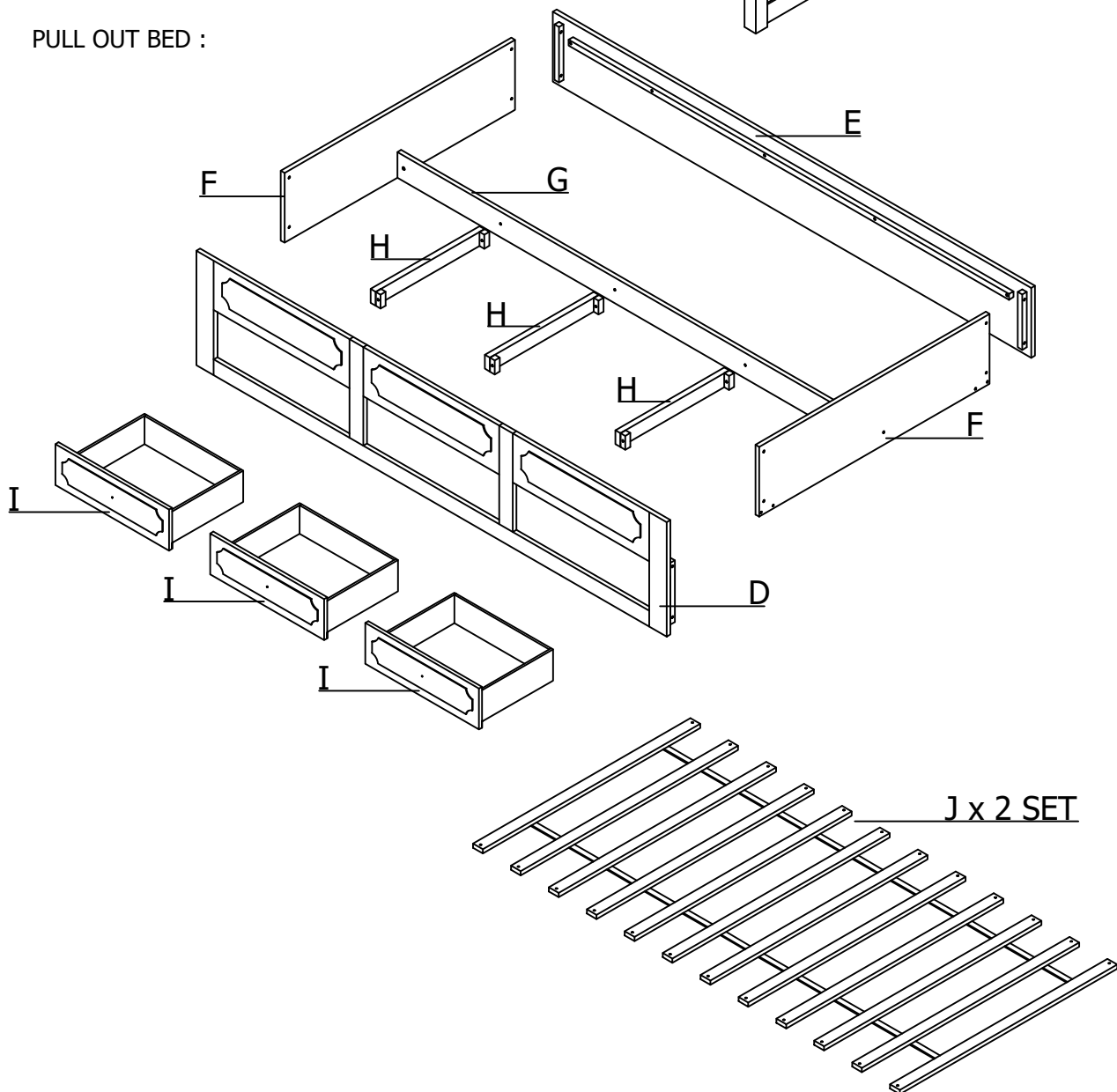
NO	HARDWARE LIST	QTY	NO	HARDWARE LIST	QTY
1	 JCBC M6 x 80mm	8 PCS	7	 CSK M4 x 25mm	54 PCS
2	 JCBC M6 x 50mm	2 PCS	8	 ALLEN KEY M4	1 PCS
3	 JCBC M6 x 35mm	8 PCS	9	 HANDLE	3 PCS
4	 JCBC M6 x 16mm	8 PCS	10	 THMS M4 x 32mm	3 PCS
5	 BARREL NUT	10 PCS	11	 ROLLER	4 PCS
6	 WOODEN DOWER	8 PCS	12	 SPRING WASHER	8 PCS

PART LIST

UPPER BED :

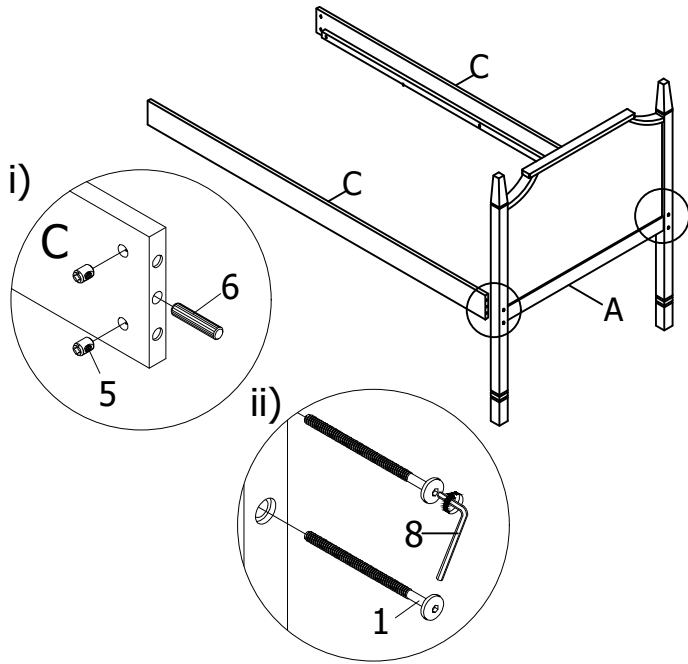


PULL OUT BED :

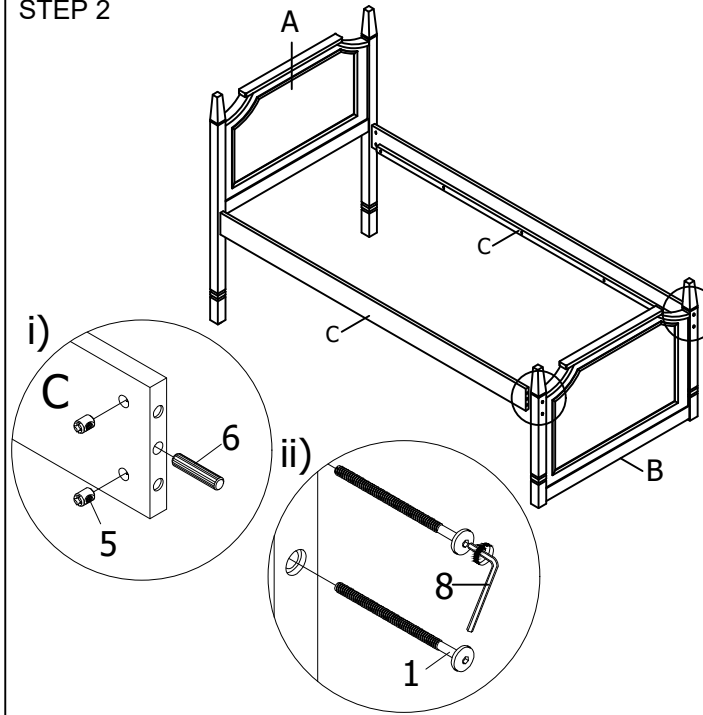


ASSEMBLY INSTRUCTION

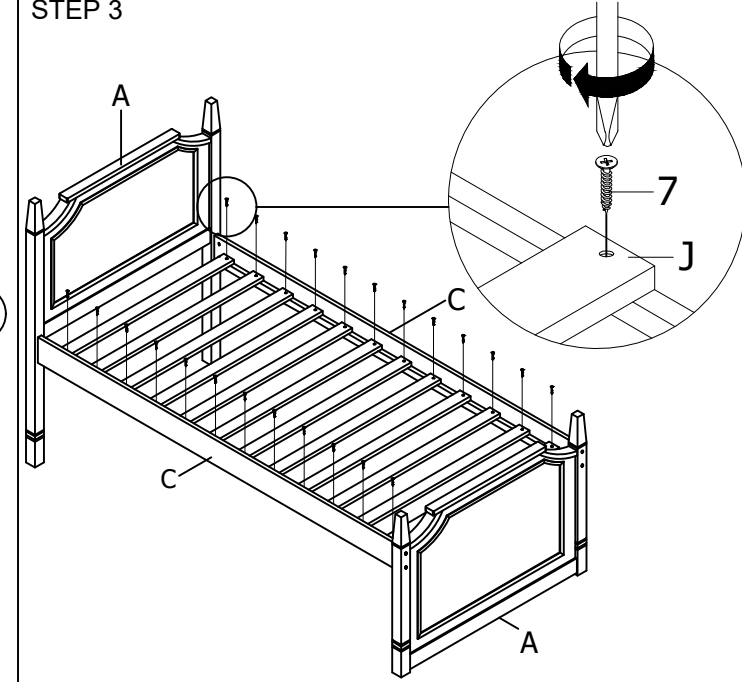
STEP 1



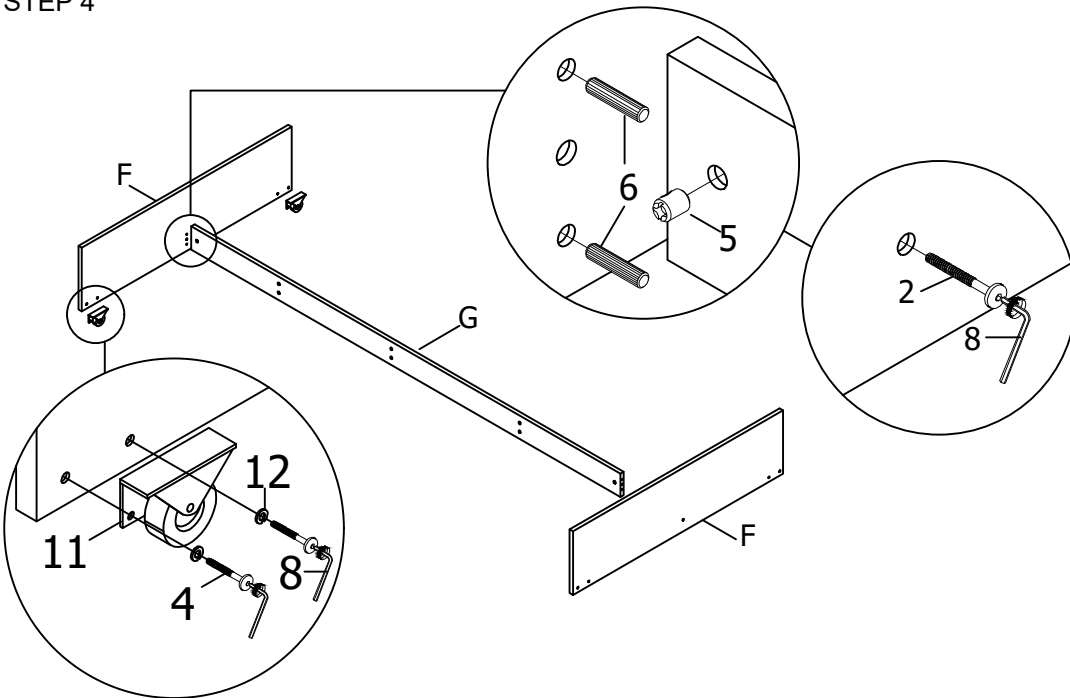
STEP 2



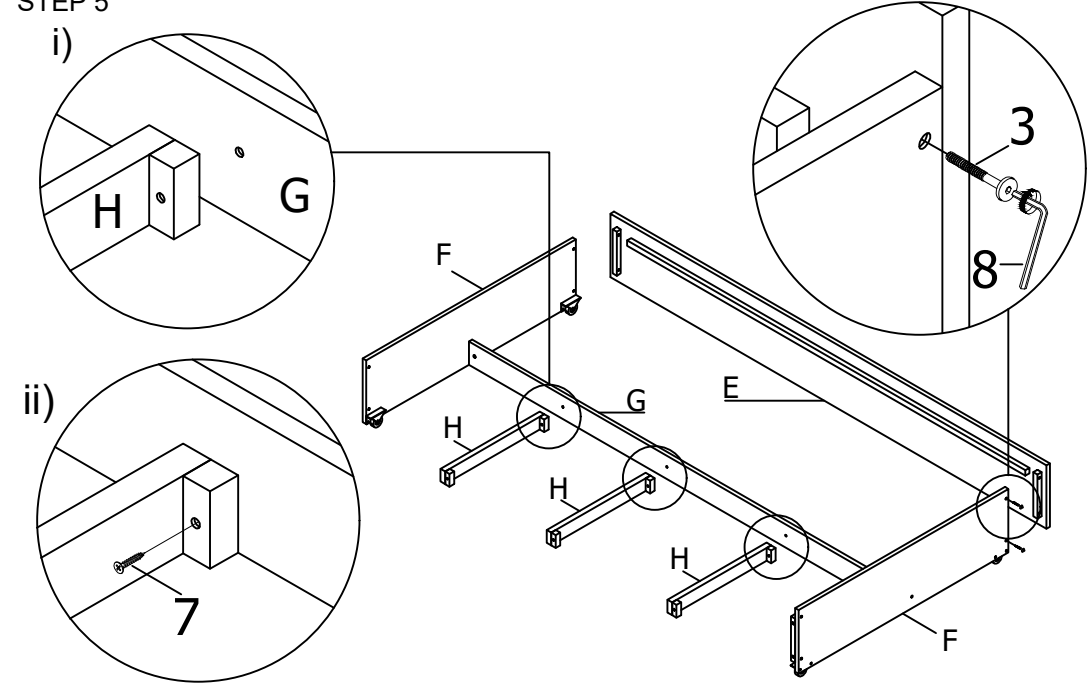
STEP 3



STEP 4

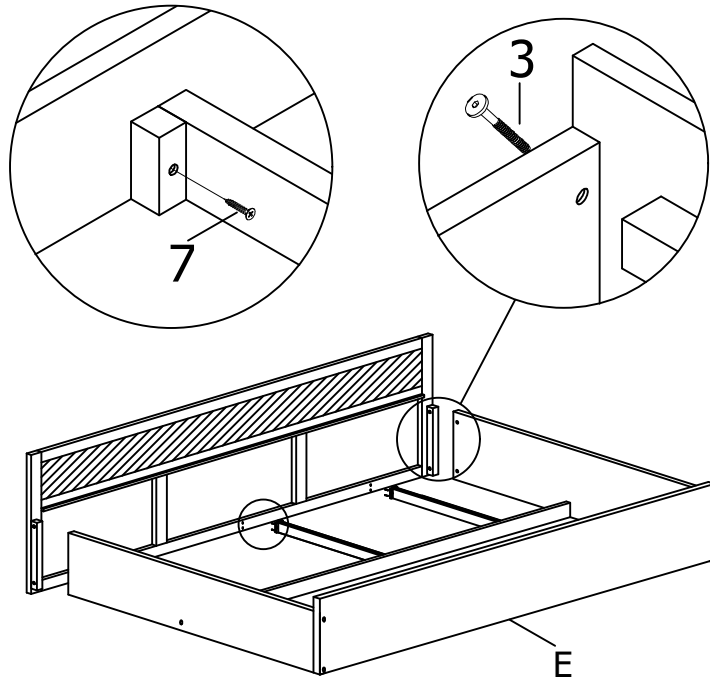


STEP 5

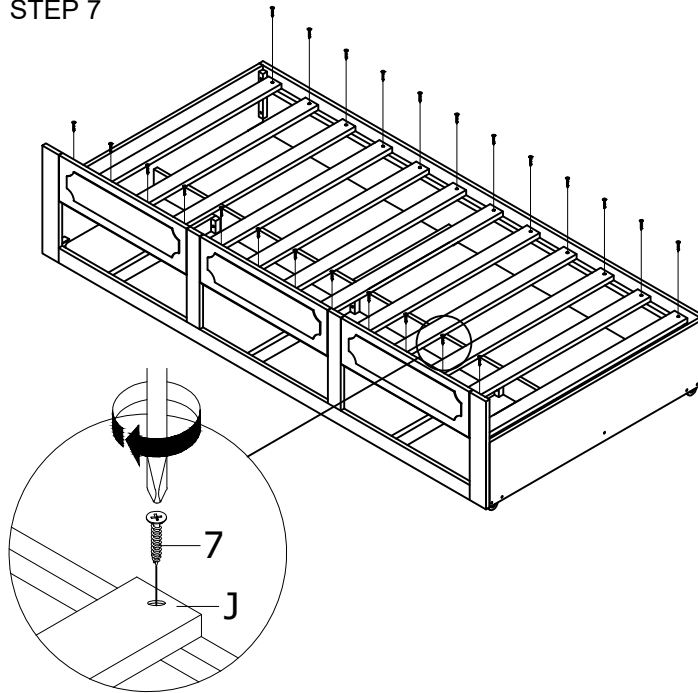


ASSEMBLY INSTRUCTION

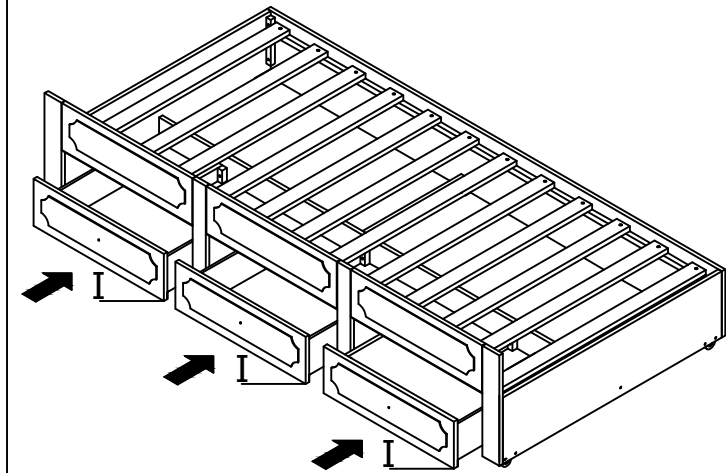
STEP 6



STEP 7

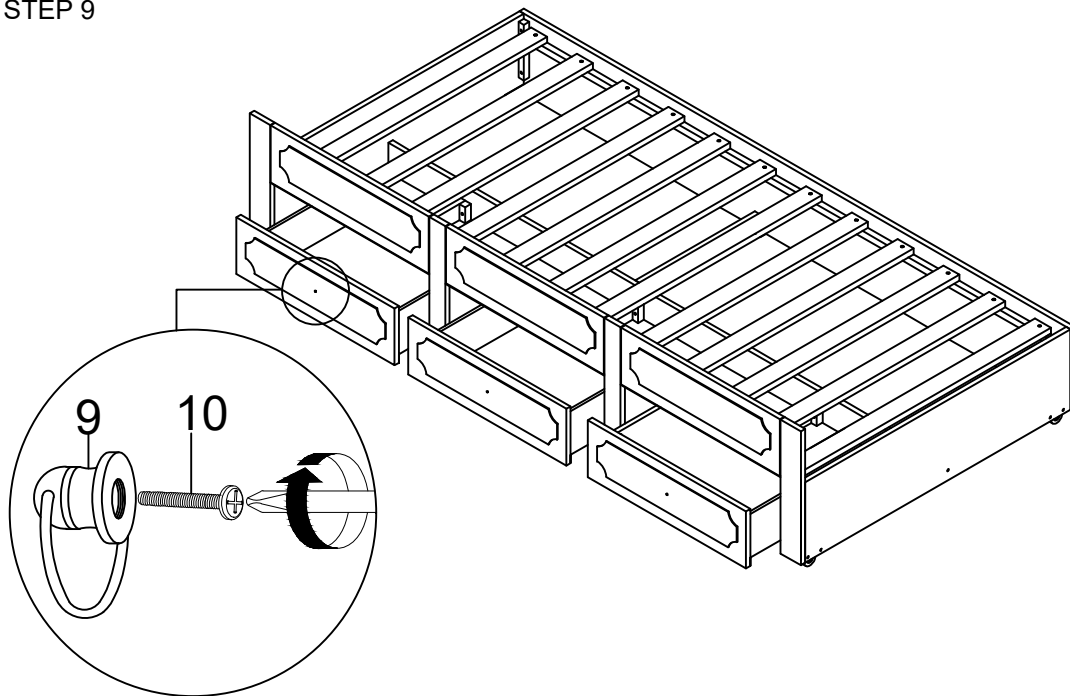


STEP 8



*REMARKS : INSERT DRAWER AFTER TIGHTEN CSK M4 x 25mm ON THE BED SLAT.

STEP 9



COMPLETE ASSEMBLY

