



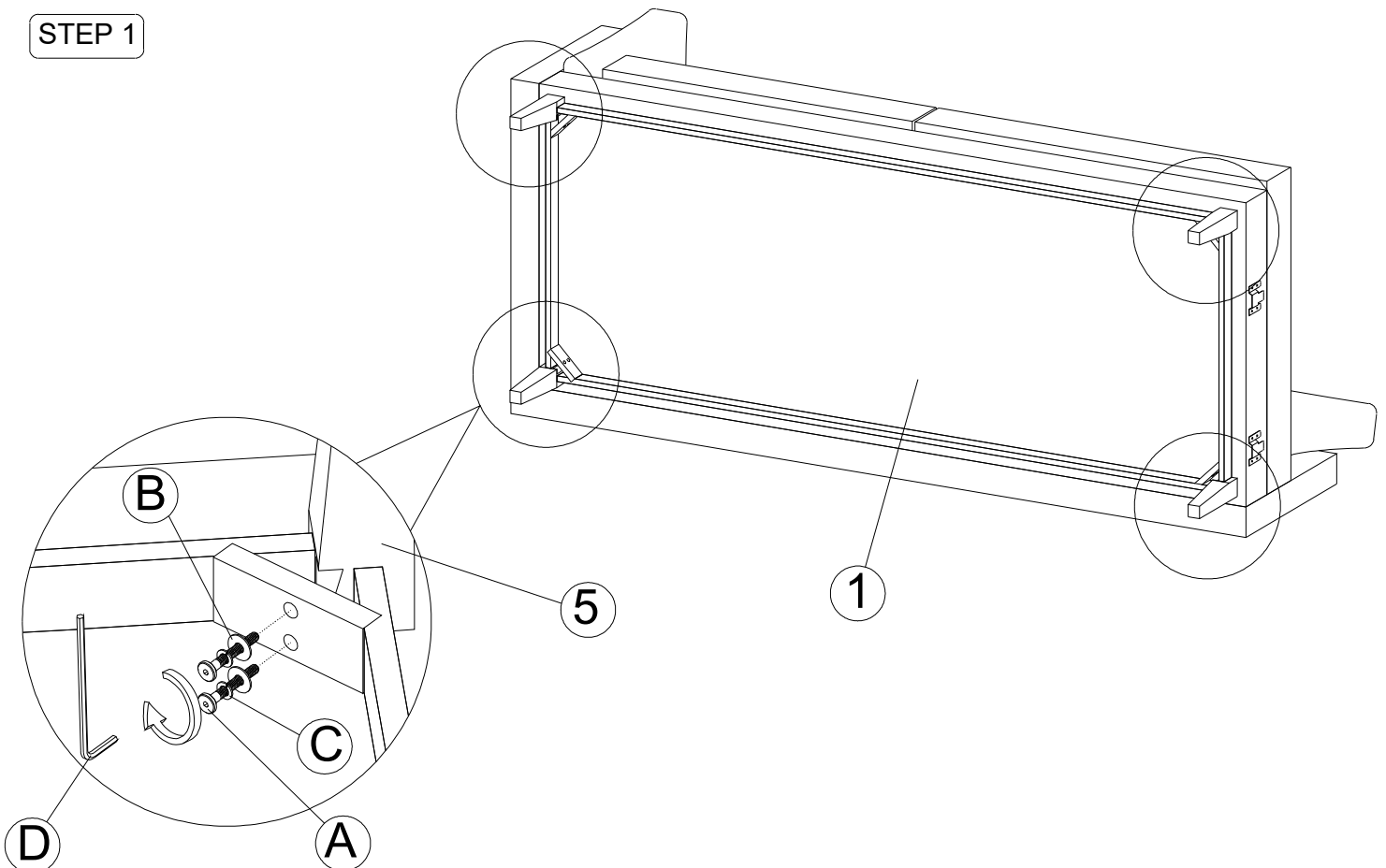


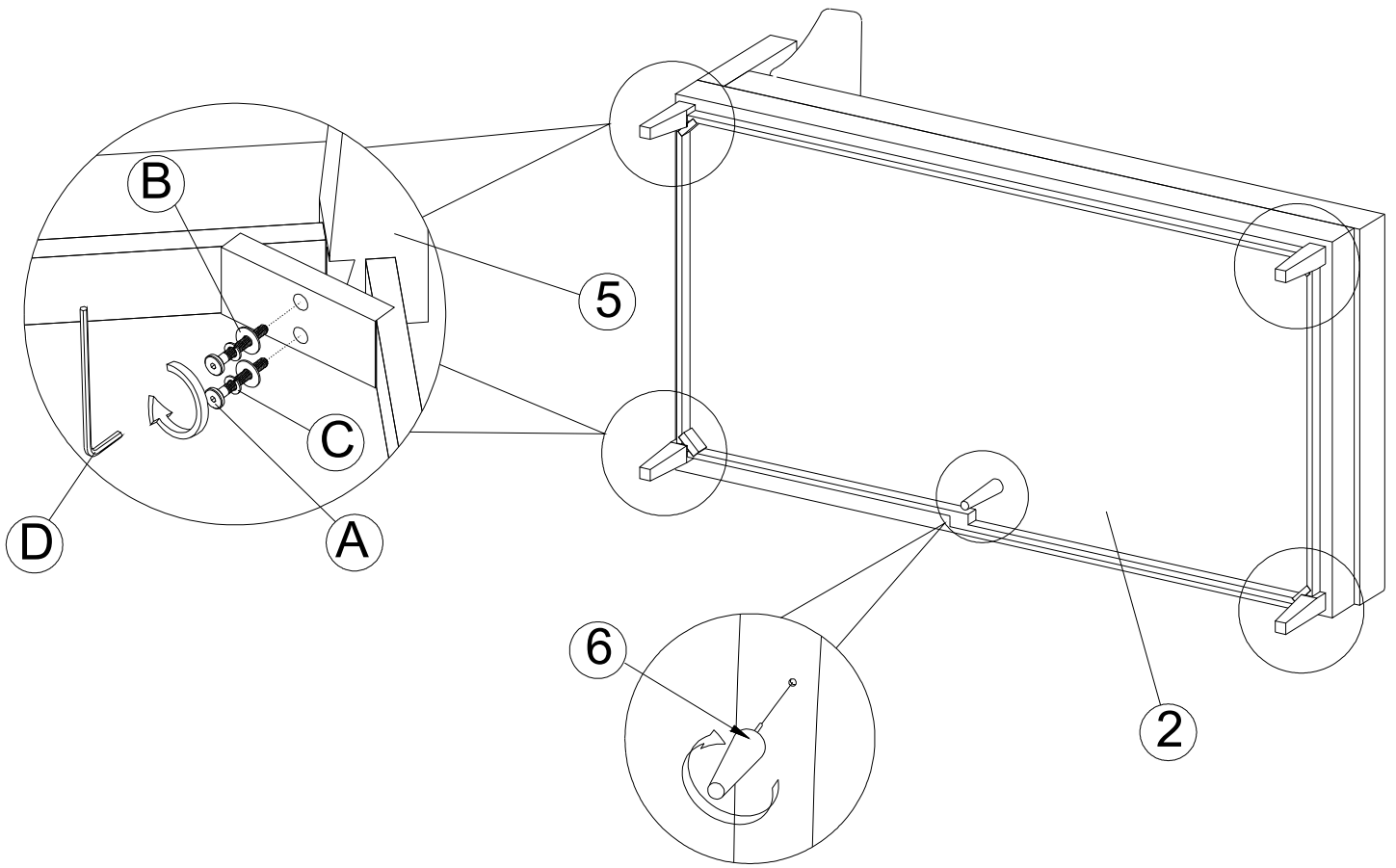
PART LIST		
1	Sofa Seat	1pc
2	Sofa Chaise	1pc
3	Back Cushion	3pcs
4	Arm Cushion	1pc
5	Sofa Leg	8pcs
6	Center Leg	1pc

HARDWARE LIST		
A	 JCBC M6 x 60	16pcs
B	 Flat Washer M6	16pcs
C	 Flat Washer M6	16pcs
D	 Allen Key M4	1pc

STEP 1



STEP 2



STEP 3

