

Assembly Instructions

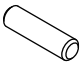
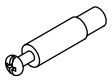
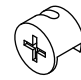


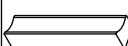




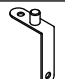


CARE INSTRUCTIONS:

WIPE CLEAN WITH A DRY CLOTH. A MILD ODOUR MAY BE PRESENT WHEN FIRST OPENING THIS CARTON. SIMPLY ALLOW TO AIR OUTSIDE AND THIS WILL FADE. DO NOT USE ABRASIVE MATERIALS AND SOLVENTS. KEEP AWAY FROM WATER AND DIRECT SUNLIGHT. DO NOT PLACE HOT ITEMS SUCH AS COFFEE CUPS DIRECTLY ON THE SURFACE. STORE IN A DRY PLACE. FOR INDOOR AND DOMESTIC USE ONLY.

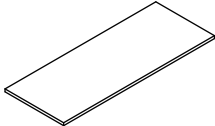
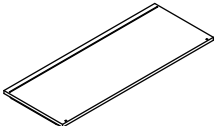

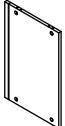
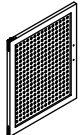
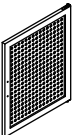
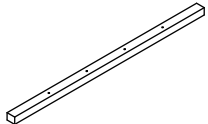
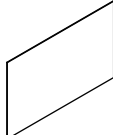

WARNING:

DO NOT STAND OR SIT ON THIS ITEM. DO NOT USE UNTIL ALL SCREWS ARE FIRMLY SECURED. USE ONLY ON A FLAT SURFACE. ADULT ASSEMBLY REQUIRED. FAILURE TO FOLLOW THESE WARNINGS COULD RESULT IN SERIOUS INJURY. **MAXIMUM SAFE LOAD: 20KGS FOR TOP PANEL, 10KGS FOR SHELF.**

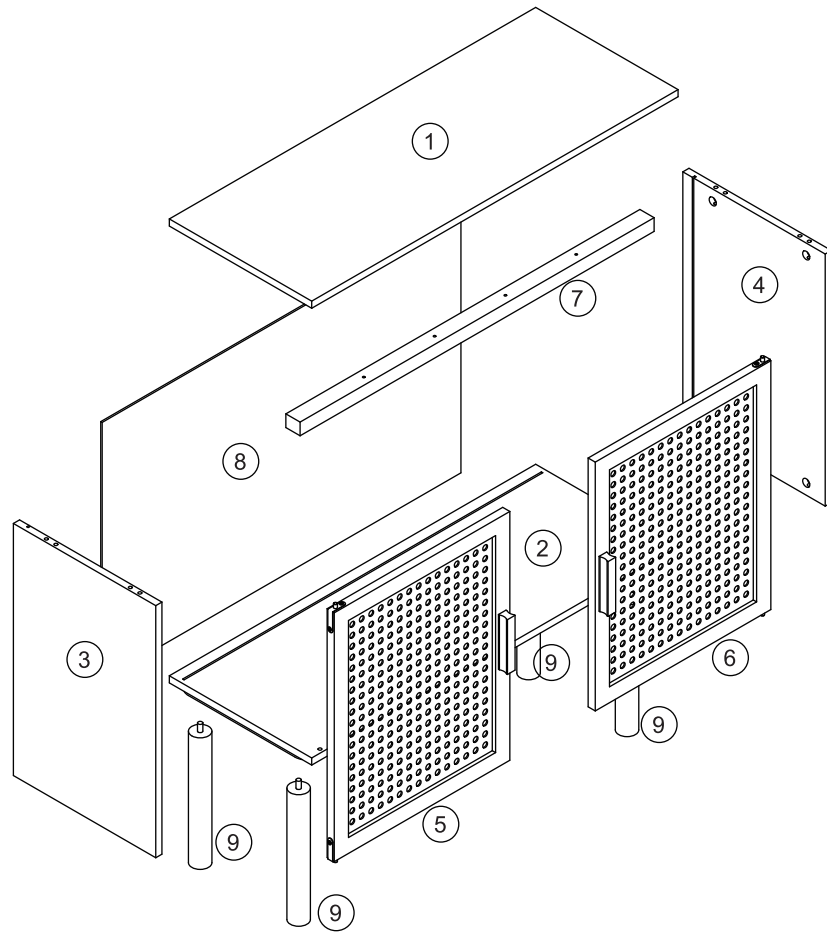
1 Hardware List

	A	6x30mm	8pcs		B		8pcs		C		8pcs
	D	M3x14mm	6pcs		E	M4x30mm	4pcs		F		2pcs
	G		4pcs		H	M3x18mm	8pcs		I		2pcs
	J		4pcs		K		4pcs		L	M4x40mm	6pcs
	M		2pcs								

2 Parts List

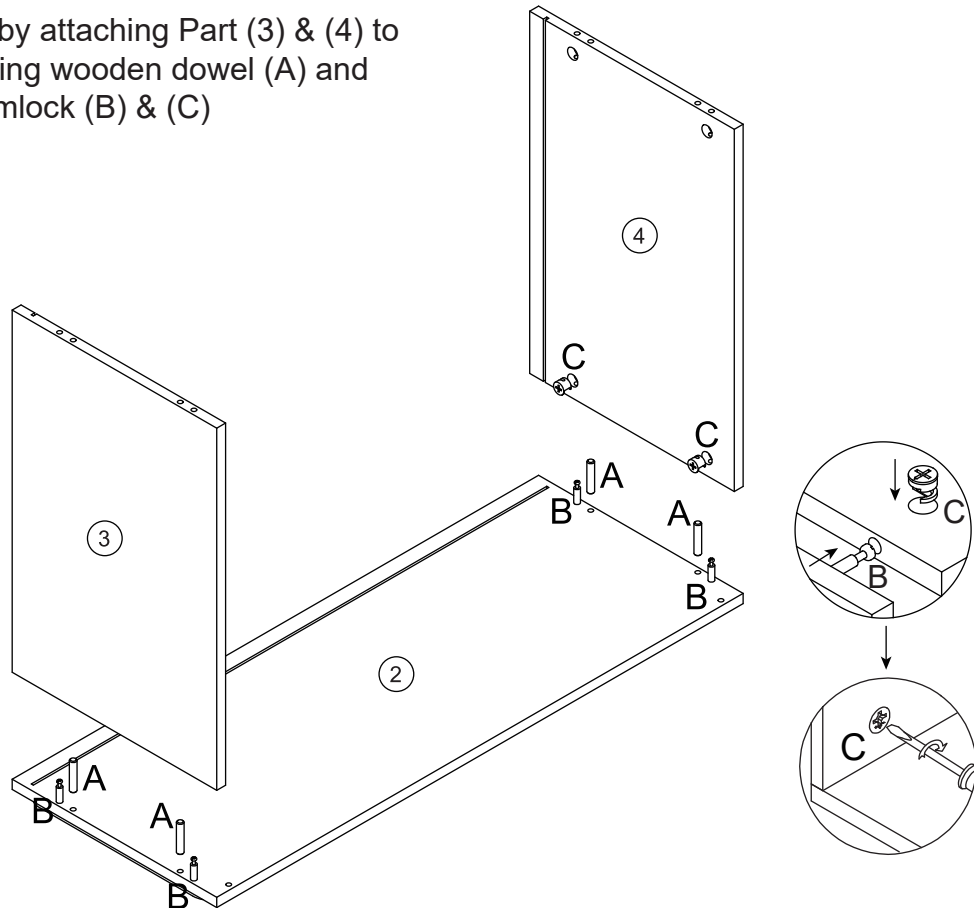
							
①	1pc	②	1pc	③	1pc	④	1pc
							
⑤	1pc	⑥	1pc	⑦	1pc	⑧	1pc
							
⑨	4pcs						

3



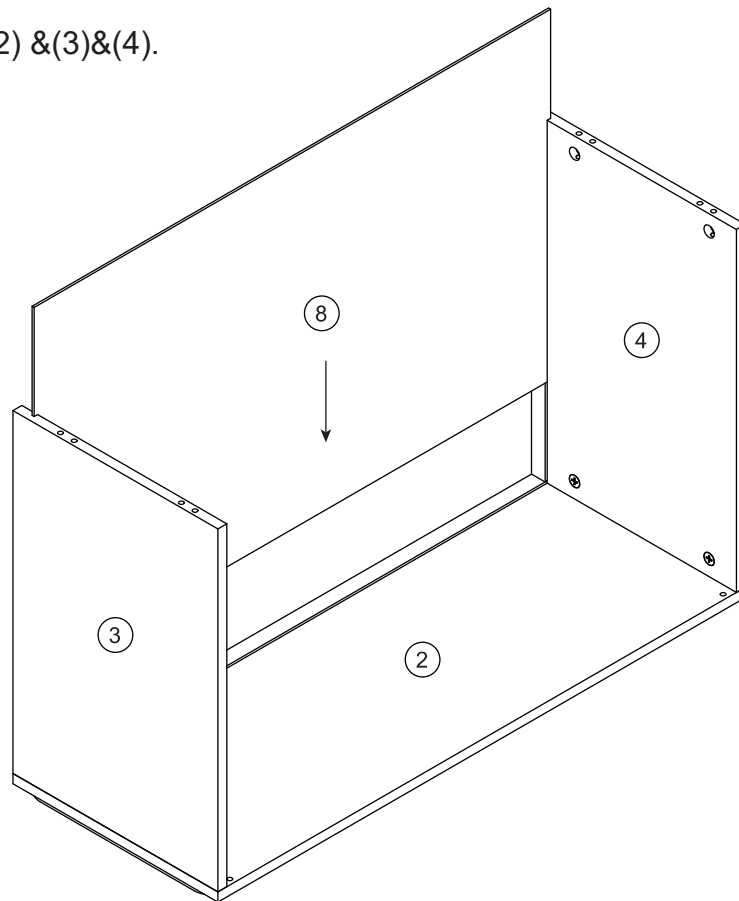
STEP 1

Begin assembly by attaching Part (3) & (4) to Part (2) by inserting wooden dowel (A) and securing with camlock (B) & (C)



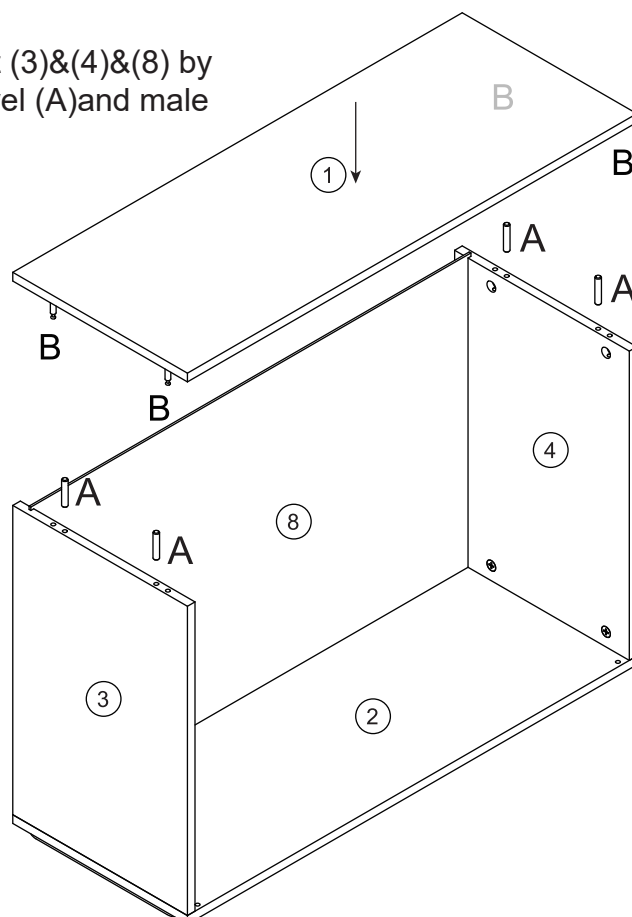
STEP 2

Insert Part (8) to Part (2) &(3)&(4).



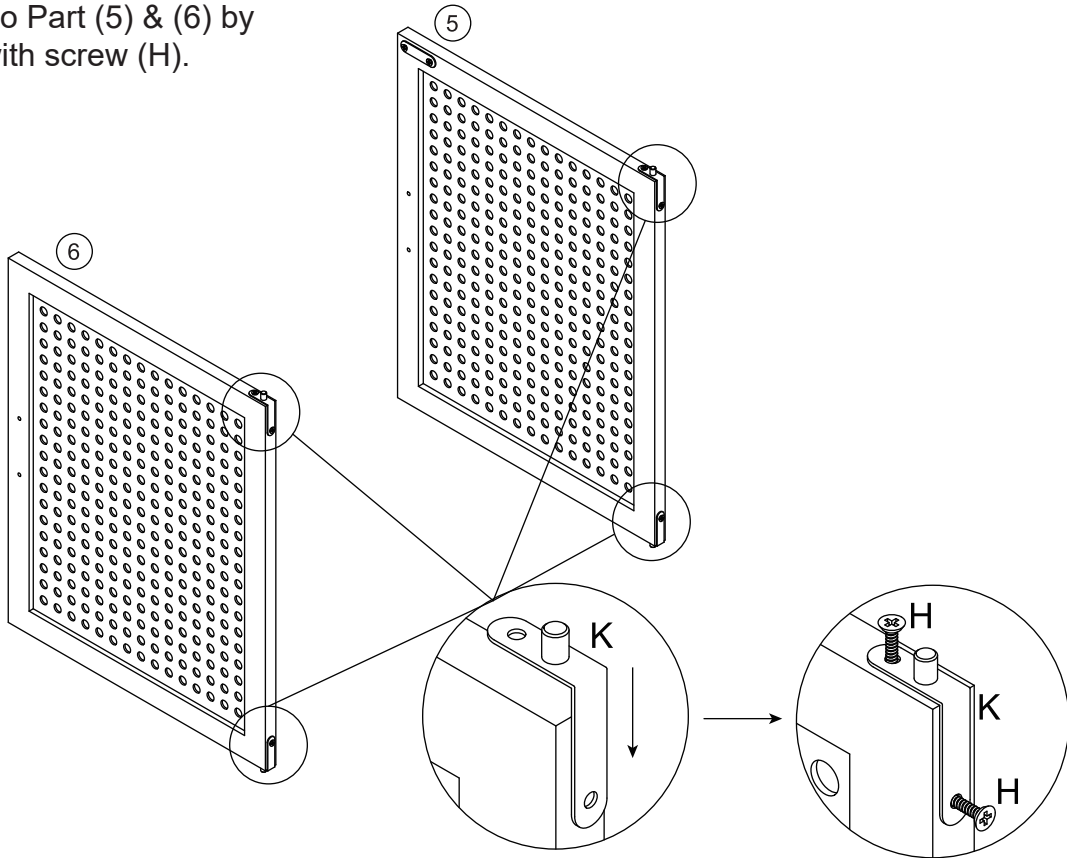
STEP 3

Attach Part (1) to Part (3)&(4)&(8) by inserting wooden dowel (A) and male camlock (B).



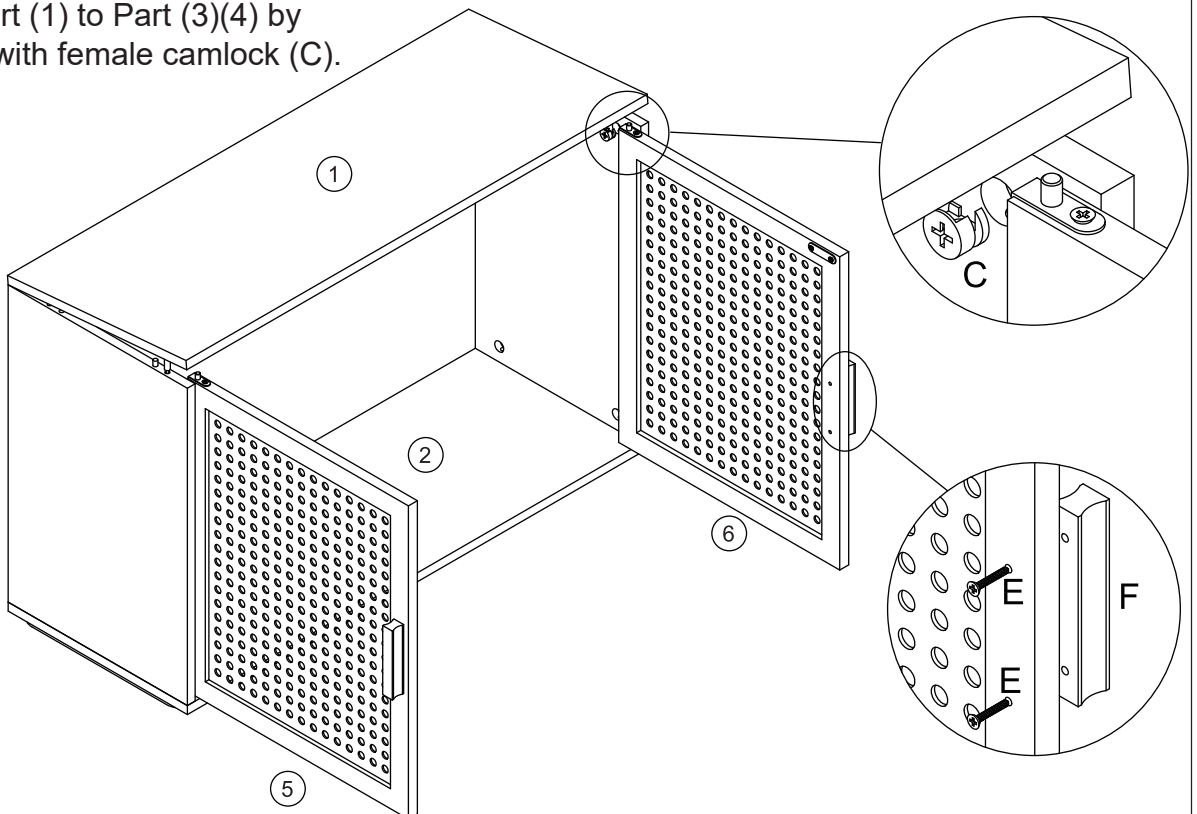
STEP 4

Attach (K) to Part (5) & (6) by securing with screw (H).



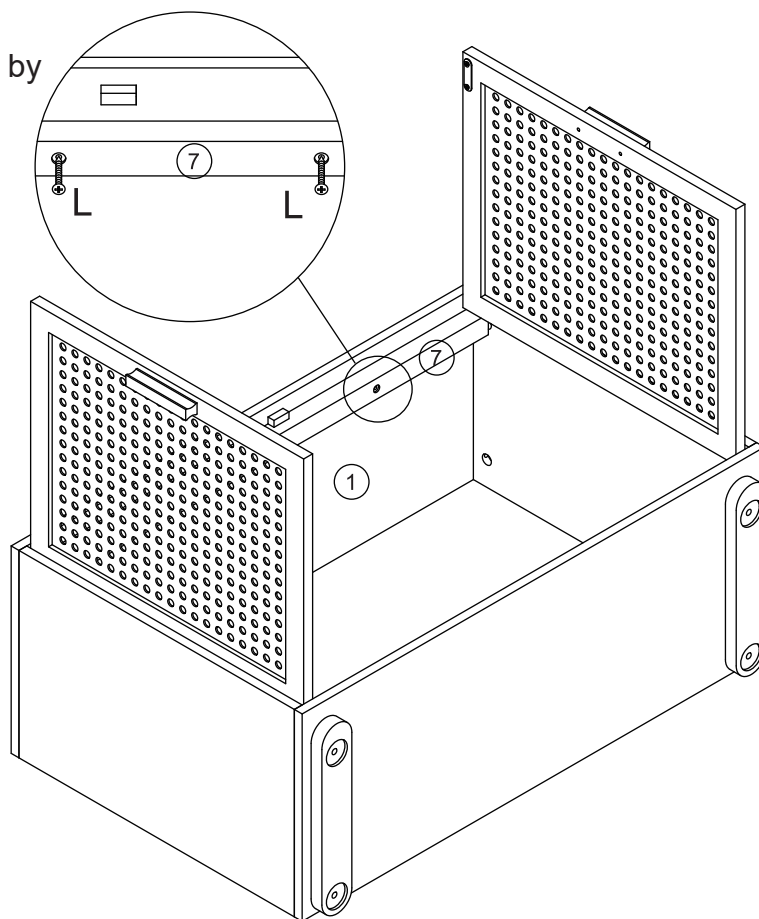
STEP 5

Attach (F) to Part (5)&(6) by aligning holes and securing with screw E.
Insert Part (5)(6) to Part (1)(2) by aligning holes .
Attach Part (1) to Part (3)(4) by securing with female camlock (C).



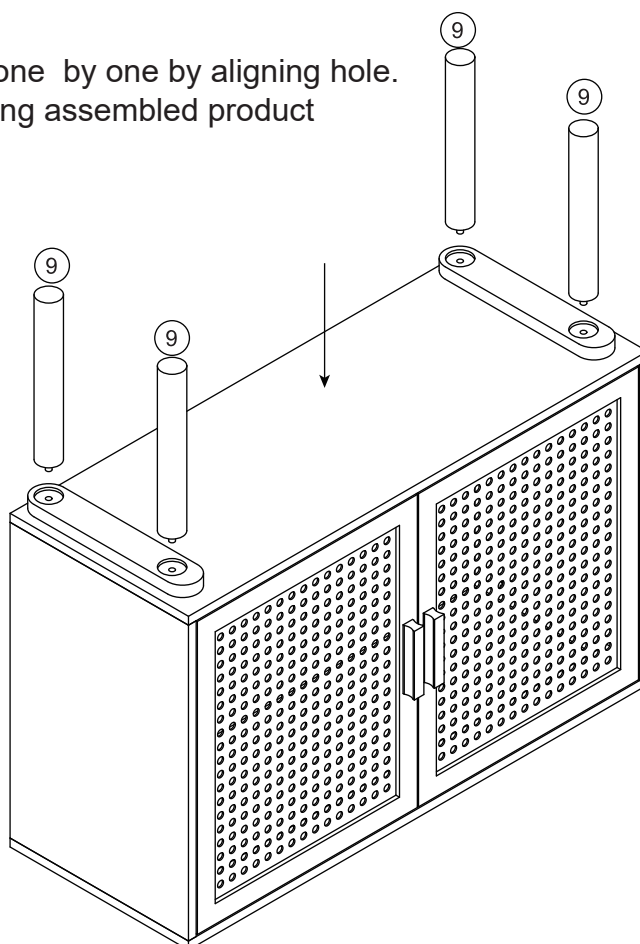
STEP 6

Attach Part(7) to Part (1) by securing with screw (L).



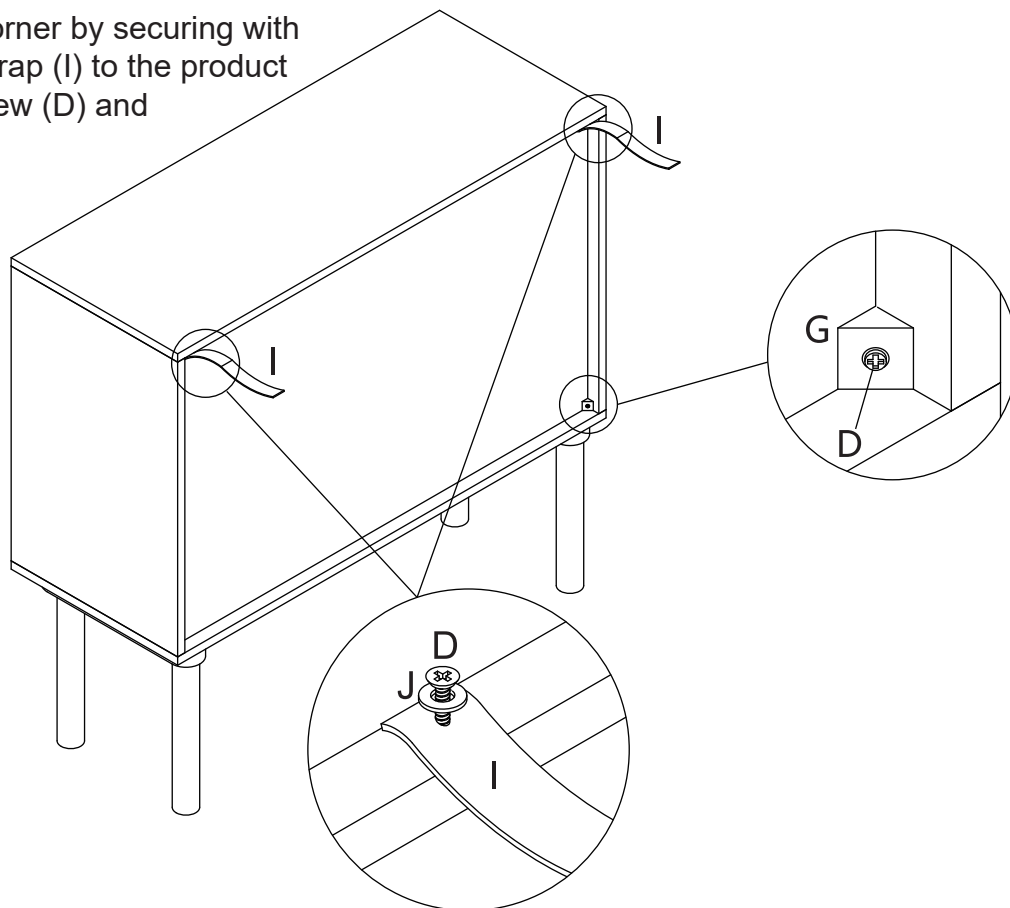
STEP 7

Rotate leg (9) to the bottom one by one by aligning hole. Tighten each leg before turning assembled product upside down .



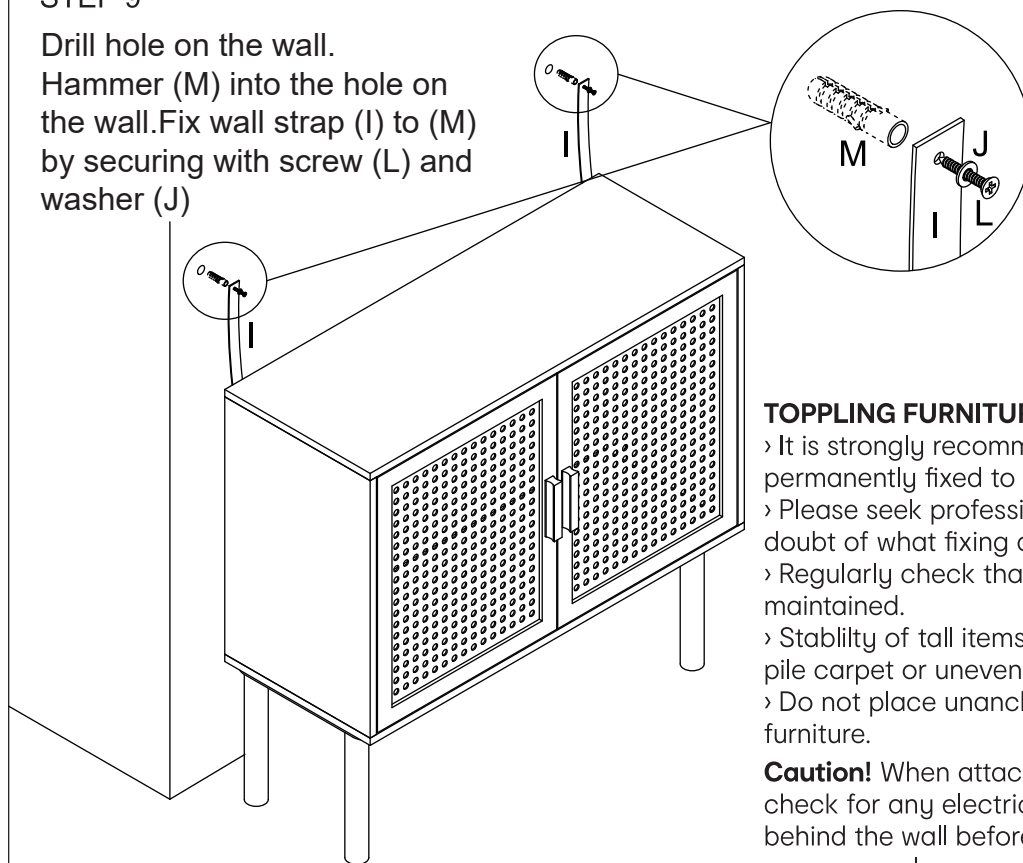
STEP 8

Attach(G) to each corner by securing with screw (D). Fix wall strap (I) to the product by securing with screw (D) and washer (J).



STEP 9

Drill hole on the wall.
Hammer (M) into the hole on the wall. Fix wall strap (I) to (M) by securing with screw (L) and washer (J)



TOPPLING FURNITURE WARNING:

- › It is strongly recommended that this product is permanently fixed to the wall.
- › Please seek professional advice if you are in doubt of what fixing device to use.
- › Regularly check that anchors are securely maintained.
- › Stability of tall items may be affected by thick pile carpet or uneven floors.
- › Do not place unanchored televisions on furniture.

Caution! When attaching the anchor fixings, check for any electrical wires or plumbing behind the wall before drilling any holes (if you are unsure, please seek professional advice from a qualified tradesperson).